

TECHNICAL MANUAL

UNIT MAINTENANCE MANUAL

FOR
CARRIER, PERSONNEL, FULL TRACKED, ARMORED M113A3
2350-01-219-7577 (EIC AEY)

CARRIER, COMMAND POST, LIGHT TRACKED M577A3
2350-01-369-6085 (EIC AE7)

CARRIER, ANTI-TANK (TOW), FULL TRACKED, ARMORED M901A3
2350-01-369-7253 (EIC AFD)

CARRIER, FIRE SUPPORT PERSONNEL, FULL TRACKED, ARMORED
M981A3
2350-01-369-6079 (EIC AFB)

CARRIER, SMOKE GENERATOR, FULL TRACKED M1059A3
2350-01-369-6083 (EIC AFA)

CARRIER, MORTAR, 120-MM M121, SELF-PROPELLED M1064A3
2350-01-369-6082 (EIC AE8)

CARRIER, STANDARDIZED INTEGRATED COMMAND POST SYSTEM
(SICPS) M1068A3
2350-01-369-6086 (EIC AFC)

CARRIER, MECHANIZED SMOKE OBSCURANT M58
2350-01-418-6654 (EIC 5CG)

DISTRIBUTION STATEMENT A — Approved for public release; distribution is unlimited.

HEADQUARTERS, DEPARTMENT OF THE ARMY

2 January 2001

INSERT LATEST UPDATED PAGES / WORK PACKAGES. DESTROY SUPERSEDED DATA.

LIST OF EFFECTIVE PAGES / WORK PACKAGES

NOTE: Updates to all portions of this TM are indicated by a vertical bar in the outer margin of the page.

Dates of issue for original and updated pages / work packages are:

Original 0 (2 January 2001)

TOTAL NUMBER OF PAGES FOR FRONT AND REAR MATTER IS 138 AND TOTAL NUMBER OF WORK PACKAGES IS 185 CONSISTING OF THE FOLLOWING:

Page / WP No.	* Change No.	Page / WP No.	* Change No.	Page / WP No.	* Change No.
Title	0				
A/B	0				
i-xxx blank	0				
WP 0627 00 – 0812 00	0				
1-94	0				
Authentication	0				
Blank	0				
DA 2028-2/Back	0				
Metric Chart	0				
Back Cover	0				

* Zero in this column indicates an original page or work package.

TECHNICAL MANUAL

UNIT MAINTENANCE MANUAL

**CARRIER, PERSONNEL, FULL TRACKED, ARMORED M113A3
NSN 2350-01-219-7577
(EIC AEY)**

**CARRIER, COMMAND POST, LIGHT TRACKED M577A3
NSN 2350-01-369-6085
(EIC AE7)**

**CARRIER, ANTI-TANK (TOW), FULL TRACKED, ARMORED M901A3
NSN 2350-01-369-7253
(EIC AFD)**

**CARRIER, FIRE SUPPORT PERSONNEL, FULL TRACKED, ARMORED M981A3
NSN 2350-01-369-6079
(EIC AFB)**

**CARRIER, SMOKE GENERATOR, FULL TRACKED M1059A3
NSN 2350-01-369-6083
(EIC AFA)**

**CARRIER, MORTAR, 120-MM M121, SELF-PROPELLED M1064A3
NSN 2350-01-369-6082
(EIC AE8)**

**CARRIER, STANDARDIZED INTEGRATED COMMAND POST SYSTEM (SICPS) M1068A3
NSN 2350-01-369-6086
(EIC AFC)**

**CARRIER, MECHANIZED SMOKE OBSCURANT M58
NSN 2350-01-418-6654
(EIC 5CG)**

REPORTING ERRORS AND RECOMMENDING IMPROVEMENTS

You can help improve this publication. If you find any mistakes or if you know of a way to improve the procedures, please let us know. Submit your DA Form 2028-2 (Recommended Changes to Equipment Technical Publications), through the Internet, on the Army Electronic Product Support (AEPS) website. The Internet address is <http://aeprs.ria.army.mil>. If you need a password, scroll down and click on "ACCESS REQUEST FORM". The DA Form 2028 is located in the ONLINE FORMS PROCESSING section of the AEPS. Fill out the form and click on SUBMIT. Using this form on the AEPS will enable us to respond quicker to your comments and better manage the DA Form 2028 program. You may also mail, fax, or email your letter, DA Form 2028 or DA Form 2028-2 direct to: Commander, U.S. Army Tank-automotive and Armaments Command, ATTN: AMSTA-LC-CIP-WT (Tech Pubs Control Point), Rock Island, IL 61299-7630. The email address is TACOM-TECH-PUBS@ria.army.mil. The fax number is DSN 793-0726 or commercial (309) 782-0726.

TABLE OF CONTENTS

WP Sequence No.

Volume 1

WARNING SUMMARY

HOW TO USE THIS MANUAL

CHAPTER 1 — UNIT INTRODUCTORY INFORMATION WITH THEORY OF OPERATION

GENERAL INFORMATION.....0001 00
 EQUIPMENT DESCRIPTION.....0002 00
 THEORY OF OPERATION.....0003 00
 REPAIR PARTS, SPECIAL TOOLS, TMDE, AND SUPPORT EQUIPMENT.....0004 00

CHAPTER 2 — UNIT TROUBLESHOOTING PROCEDURES

INTRODUCTION TO HOW TO USE TROUBLESHOOTING.....0005 00
 MALFUNCTION/SYMPATOM INDEX WP.....0006 00
 ENGINE CHARGING SYSTEM SCHEMATIC (ALL EXCEPT M981A3 ONLY).....0007 00
 ENGINE CHARGING SYSTEM SCHEMATIC (M981A3 ONLY).....0008 00
 ENGINE FUEL SYSTEM SCHEMATIC (ALL EXCEPT M577A3 AND M1068A3).....0009 00
 ENGINE FUEL SYSTEM SCHEMATIC (M577A3 AND M1068A3 ONLY).....0010 00
 ENGINE STARTER CIRCUIT SCHEMATIC (ALL EXCEPT M981A3).....0011 00
 ENGINE STARTER CIRCUIT SCHEMATIC (M981A3 ONLY).....0012 00
 ENGINE AIR BOX HEATER SCHEMATIC.....0013 00
 ENGINE OVERHEATS.....0014 00
 ENGINE OVERCOOLS.....0015 00
 ENGINE DOES NOT CRANK.....0016 00
 ENGINE DOES NOT START (COLD WEATHER ONLY).....0017 00
 WAIT INDICATOR FLASHES DURING START ATTEMPTS (PREGLOW OR
 AFTERGLOW).....0018 00
 WAIT INDICATOR LIGHT DOESN'T LIGHT.....0019 00
 ENGINE CRANKS SLOWLY.....0020 00
 ENGINE CRANKS BUT WILL NOT START.....0021 00
 ENGINE CRANKS BUT WON'T START BELOW 40° (AIR BOX HEATER IS USED).....0022 00
 ENGINE CRANKS BUT WON'T START BELOW 40°F (GLOW PLUGS ARE USED).....0023 00
 ENGINE RUNS ROUGH, STALLS, OR DOESN'T PUT OUT FULL POWER.....0024 00
 GENERATOR MALFUNCTIONS AS INDICATED BY BATTERY/GENERATOR
 INDICATOR.....0025 00
 ENGINE OIL LOW PRESSURE INDICATOR COMES ON.....0026 00
 ELECTRICAL SCHEMATIC (ALL EXCEPT M981A3).....0027 00
 ELECTRICAL SCHEMATIC (M981A3 ONLY).....0028 00

TABLE OF CONTENTS (cont)

	<u>WP Sequence No.</u>
NO EXTERIOR LIGHTS OPERATE.....	0029 00
BLACKOUT DRIVE LIGHT DOESN'T WORK.....	0030 00
SERVICE HEADLIGHTS DON'T WORK.....	0031 00
INFRARED HEADLIGHT(S) DON'T WORK.....	0032 00
SERVICE AND/OR BLACK OUT STOP LIGHTS MALFUNCTION.....	0033 00
BLACKOUT MARKER LIGHT(S) DON'T WORK.....	0034 00
SERVICE TAILLIGHT DOESN'T WORK.....	0035 00
TRAILER LIGHTS DON'T WORK.....	0036 00
HORN DOES NOT WORK.....	0037 00
INSTRUMENT PANEL AND/OR TRANS CONTROLLER ILLUMINATION LIGHTS MALFUNCTION.....	0038 00
DOME LIGHT(S) DO NOT WORK.....	0039 00
DOME LIGHT MALFUNCTION (M577A3 ONLY).....	0040 00
BLACKOUT DOME LIGHTS DO NOT WORK (M1068A3 ONLY).....	0041 00
RIGHT REAR UTILITY OUTLET/ADMITTANCE BUZZER WORKS IMPROPERLY (M577A3 AND M1068A3 ONLY).....	0042 00
LEFT REAR UTILITY OUTLET/BLOWER DOES NOT WORK (M577A3 AND M1068A3 ONLY).....	0043 00
RADIO(S) DON'T WORK.....	0044 00
SMOKE GRENADE LAUNCHER(S) MALFUNCTION (M113A3, M901A3, M981A3, AND M1059A3 ONLY).....	0045 00
INDICATORS SCHEMATIC (ALL EXCEPT M981A3).....	0046 00
INDICATORS SCHEMATIC (M981A3 ONLY).....	0047 00
MASTER SWITCH ON INDICATOR DOESN'T LIGHT.....	0048 00
FUEL LEVEL INDICATOR MALFUNCTIONS.....	0049 00
HIGH BEAM INDICATOR LIGHT DOESN'T WORK.....	0050 00
BATTERY/GENERATOR INDICATOR MALFUNCTIONS.....	0051 00
PARKING BRAKE INDICATOR MALFUNCTIONS.....	0052 00
COOLANT TEMP INDICATOR MALFUNCTIONS.....	0053 00
STEERING LOCKED INDICATOR MALFUNCTIONS.....	0054 00
ENGINE OIL LOW PRESSURE INDICATOR MALFUNCTIONS.....	0055 00
TRANSMISSION OIL LOW PRESSURE INDICATOR MALFUNCTIONS.....	0056 00
TRANS OIL HI TEMP INDICATOR MALFUNCTIONS.....	0057 00
ENGINE COOLANT LOW LEVEL INDICATOR MALFUNCTIONS.....	0058 00
TRANS FILTER CLOGGED INDICATOR MALFUNCTIONS.....	0059 00
TRANSMISSION SYSTEM SCHEMATIC.....	0060 00
CARRIER MOVES WITH TRANSMISSION IN SL.....	0061 00
CARRIER DOES NOT MOVE IN ANY SHIFT LEVER POSITION.....	0062 00
CARRIER DRIFTS OR DOES NOT STEER.....	0063 00
SERVICE AND/OR PARKING BRAKE WON'T HOLD CARRIER.....	0064 00
TRANSMISSION WON'T UPSHIFT OR SHIFTS ERRATICALLY IN 1-4 POSITION.....	0065 00
TRANSMISSION DOES NOT DOWNSHIFT IN 1-4 POSITION.....	0066 00

TABLE OF CONTENTS (cont)

	<u>WP Sequence No.</u>
TRANSMISSION DOES NOT HOLD 1ST POSITION.....	0067 00
TRANSMISSION DOES NOT HOLD 2ND POSITION.....	0068 00
TRANSMISSION DOES NOT HOLD 3RD POSITION.....	0069 00
TRANSMISSION DOES NOT REVERSE.....	0070 00
TRANSMISSION DOES NOT PIVOT STEER.....	0071 00
TRANSMISSION HIGH TEMP INDICATOR COMES ON.....	0072 00
TRANSMISSION LOW LUBE INDICATOR COMES ON.....	0073 00
STEERING LOCK SCHEMATIC (SOLENOID-ACTIVATED LOCK).....	0074 00
STEERING LOCK SCHEMATIC (CABLE-ACTIVATED LOCK).....	0075 00
SOLENOID-ACTIVATED STEERING LOCK MALFUNCTIONS.....	0076 00
CABLE-ACTIVATED STEERING LOCK MALFUNCTIONS.....	0077 00
BILGE PUMP SCHEMATIC (ALL EXCEPT M981A3).....	0078 00
BILGE PUMP SCHEMATIC (M981A3 ONLY).....	0079 00
FRONT AND/OR REAR BILGE PUMP(S) AND/OR LIGHTS DON'T WORK.....	0080 00
RAMP SCHEMATIC.....	0081 00
RAMP WILL NOT LOWER.....	0082 00
RAMP OPERATION IS SLOW OR SLUGGISH.....	0083 00
RAMP WILL NOT RAISE OR FREE FALLS.....	0084 00
PERSONNEL HEATER SCHEMATIC.....	0085 00
PERSONNEL HEATER MALFUNCTIONS.....	0086 00
COOLANT HEATER SCHEMATIC (ALL EXCEPT M981A3).....	0087 00
COOLANT HEATER SCHEMATIC (M981A3 ONLY).....	0088 00
COOLANT HEATER MALFUNCTIONS.....	0089 00
POWER CONTROL ENCLOSURE A1 DC INPUT/OUTPUT INOPERATIVE (M1068A3 ONLY).....	0090 00
NO AC POWER FROM TENT INTERFACE PANEL A5 (M1068A3 ONLY).....	0091 00
NO DC POWER FROM TENT INTERFACE PANEL A5 (M1068A3 ONLY).....	0092 00
NO POWER FROM ROADSIDE AC POWER EXTENSION BOX A6 (M1068A3 ONLY).....	0093 00
NO POWER FROM CURBSIDE AC POWER EXTENSION BOX A7 (M1068A3 ONLY).....	0094 00
NO POWER FROM DC POWER EXTENSION BOX A9 (ALL EXCEPT JACK J23) (M1068A3 ONLY).....	0095 00
NO POWER FROM DC POWER EXTENSION BOX A9, JACK J23 (JTIDS) (M1068A3 ONLY).....	0096 00
NO DC POWER TO SINGLE POINT LAN GROUND BOX A15 (M1068A3 ONLY).....	0097 00
NO POWER FROM UPS POWER EXTENSION BOX A18 (M1068A3 ONLY).....	0098 00
NO POWER FROM CURBSIDE UPS POWER EXTENSION BOX A19 (M1068A3 ONLY).....	0099 00
NO AC/DC INPUT TO ATCCS UPS POWER BOX (M1068A3 ONLY).....	0100 00
IN BLACKOUT MODE, FLUORESCENT LIGHTS OPERATE INCORRECTLY (M1068A3 ONLY).....	0101 00
FLUORESCENT LIGHTS DO NOT OPERATE (M1068A3 ONLY).....	0102 00

TABLE OF CONTENTS (cont)

WP Sequence No.

VEHICLE BATTERIES DISCHARGE WITH EXTERNAL AC POWER APPLIED (M1068A3 ONLY).....	0103 00
VEHICLE WILL NOT ACCEPT EXTERNAL AC POWER (M1068A3 ONLY).....	0104 00
VEHICLE WILL NOT ACCEPT INVERTER AC POWER (M1068A3 ONLY).....	0105 00
NO POWER TO DC CIRCUITS (M1068A3 ONLY).....	0106 00
NO POWER TO AC CIRCUITS (M1068A3 ONLY).....	0107 00
NO DC OUTPUT FROM DC POWER SUPPLY (M1068A3 ONLY).....	0108 00
NO AC POWER FROM INVERTERS (M1068A3 ONLY).....	0109 00
NO DATA OUTPUT FROM DATA PANEL A12 (M1068A3 ONLY).....	0110 00
NO LAN OUTPUT FROM DATA PANEL A12 (M1068A3 ONLY).....	0111 00
NO DATA OUTPUT FROM DATA PANEL A13 (M1068A3 ONLY).....	0112 00
NO LAN OUTPUT FROM DATA PANEL A13 (M1068A3 ONLY).....	0113 00
PHONE EXTENSION BOX A14 POST(S) INOPERATIVE (M1068A3 ONLY).....	0114 00
SPEEDOMETER MALFUNCTIONS.....	0115 00
TACHOMETER MALFUNCTIONS.....	0116 00
HOOK UP/REMOVE STE/ICE TEST SET TO DCA 6.....	0117 00
STE/ICE TEST 10 ENGINE RPM.....	0118 00
STE/ICE TEST 24 FUEL SUPPLY PRESSURE.....	0119 00
STE/ICE TEST 25 FUEL RETURN PRESSURE.....	0120 00
STE/ICE TEST 26 FUEL FILTER PRESSURE DROP.....	0121 00
STE/ICE TEST 30 TURBOCHARGER OUTLET PRESSURE.....	0122 00
STE/ICE TEST 32 AIR BOX PRESSURE.....	0123 00
STE/ICE TEST 67 BATTERY VOLTAGE.....	0124 00
STE/ICE TEST 68 STARTER MOTOR VOLTAGE.....	0125 00
STE/ICE TEST 69 STARTER NEGATIVE CABLE VOLTAGE DROP.....	0126 00
STE/ICE TEST 70 STARTER SOLENOID VOLTAGE.....	0127 00
STE/ICE TEST 71 STARTER CURRENT (AVERAGE).....	0128 00
STE/ICE TEST 72 STARTER CURRENT (FIRST PEAK).....	0129 00
STE/ICE TEST 73 BATTERY RESISTANCE AND STE/ICE TEST 75 BATTERY RESISTANCE CHANGE (PACK).....	0130 00
STE/ICE TEST 74 STARTER CIRCUIT RESISTANCE.....	0131 00
STE/ICE TEST 80 BATTERY CURRENT.....	0132 00
STE/ICE TEST 82 GENERATOR OUTPUT VOLTAGE.....	0133 00
STE/ICE TEST 83 GENERATOR FIELD VOLTAGE.....	0134 00
STE/ICE TEST 84 GENERATOR NEGATIVE CABLE VOLTAGE DROP.....	0135 00
STE/ICE SCHEMATIC (ALL EXCEPT M981A3).....	0136 00
STE/ICE SCHEMATIC (M981A3 ONLY).....	0137 00
STE/ICE BLANK DISPLAY DIAGNOSTIC TROUBLESHOOTING.....	0138 00
STE/ICE CONFIDENCE TEST DIAGNOSTIC TROUBLESHOOTING.....	0139 00
STE/ICE TEST 10, 11, 12 AND 13 DIAGNOSTIC TROUBLESHOOTING.....	0140 00
DCA BATTERY VOLTAGE DIAGNOSTIC TROUBLESHOOTING.....	0141 00
DCA CURRENT SHUNT DIAGNOSTIC TROUBLESHOOTING.....	0142 00

TABLE OF CONTENTS (cont)

	<u>WP Sequence No.</u>
STE/ICE TEST 24 FUEL SUPPLY PRESSURE DIAGNOSTIC TROUBLESHOOTING.....	0143 00
STE/ICE TEST 25 FUEL RETURN PRESSURE DIAGNOSTIC TROUBLESHOOTING.....	0144 00
STE/ICE TEST 26 FUEL FILTER PRESSURE DROP DIAGNOSTIC TROUBLESHOOTING.....	0145 00
STE/ICE TEST 30 TURBOCHARGER OUTLET PRESSURE DIAGNOSTIC TROUBLESHOOTING.....	0146 00
STE/ICE TEST 32 AIR BOX PRESSURE DIAGNOSTIC TROUBLESHOOTING.....	0147 00
STE/ICE TEST 68 STARTER MOTOR VOLTAGE DIAGNOSTIC TROUBLESHOOTING.....	0148 00
STE/ICE TEST 69 STARTER NEGATIVE CABLE VOLTAGE DROP DIAGNOSTIC TROUBLESHOOTING.....	0149 00
STE/ICE TEST 70 STARTER SOLENOID VOLTAGE DIAGNOSTIC TROUBLESHOOTING.....	0150 00
STE/ICE TEST 82 GENERATOR OUTPUT VOLTAGE DIAGNOSTIC TROUBLESHOOTING.....	0151 00
STE/ICE TEST 83 GENERATOR FIELD VOLTAGE DIAGNOSTIC TROUBLESHOOTING.....	0152 00
STE/ICE TEST 84 GENERATOR NEGATIVE CABLE VOLTAGE DROP DIAGNOSTIC TROUBLESHOOTING.....	0153 00

Volume 2

CHAPTER 3 — UNIT MAINTENANCE INSTRUCTIONS FOR CARRIER

SERVICE UPON RECEIPT.....	0154 00
PREVENTIVE MAINTENANCE CHECKS AND SERVICES (PMCS), INCLUDING LUBRICATION INSTRUCTIONS.....	0155 00
.....	0155 00

CHAPTER 4 — UNIT MAINTENANCE INSTRUCTIONS FOR ENGINE

REMOVE/INSTALL POWER PLANT ASSEMBLY.....	0156 00
BLOCK POWER PLANT.....	0157 00
REPLACE ENGINE MOUNTS	0158 00
REPLACE LEFT AIR BOX DRAIN CHECK VALVE AND TUBES.....	0159 00
REPLACE RIGHT AIR BOX DRAIN CHECK VALVE AND TUBES.....	0160 00
REPLACE ENGINE LIFTING BRACKET.....	0161 00
REPLACE ENGINE OIL FILLER CAP.....	0162 00
REPLACE ENGINE OIL SAMPLING VALVE AND HOSE.....	0163 00
REPLACE OIL GAUGE ROD AND TUBE.....	0164 00
REPLACE OIL FILTER ELEMENT.....	0165 00

CHAPTER 5 — UNIT MAINTENANCE INSTRUCTIONS FOR FUEL SYSTEM

REPLACE ENGINE FUEL PUMP.....	0166 00
SERVICE AIR CLEANER FILTER ELEMENT.....	0167 00
REPLACE AIR CLEANER AND ELBOW.....	0168 00

TABLE OF CONTENTS (cont)

	<u>WP Sequence No.</u>
REPAIR AIR CLEANER ASSEMBLY.....	0169 00
REPAIR AIR CLEANER RETAINER.....	0170 00
REPLACE AIR CLEANER RESTRICTION INDICATOR.....	0171 00
REPLACE AIR CLEANER RESTRICTION INDICATOR HOSE.....	0172 00
REMOVE/INSTALL AIR INTAKE ELBOW.....	0173 00
REPLACE GRILL AIR INTAKE ELBOW AND HOSE.....	0174 00
REPLACE EXHAUST EVACUATOR VALVE AND CONNECTOR.....	0175 00
CLEAN FUEL CAP VENT AND FILTER SCREEN.....	0176 00
DRAIN TANKS (ALL EXCEPT M577A3 AND M1068A3).....	0177 00
DRAIN FUEL TANKS (M577A3 AND M1068A3 ONLY).....	0178 00
REPLACE EXTERNAL FUEL TANKS (ALL EXCEPT M577A3 AND M1068A3).....	0179 00
REPLACE FUEL TANKS (M577A3 AND M1068A3 ONLY).....	0180 00
TEMPORARY FUEL TANK REPAIR (M577A3 AND M1068A3 ONLY).....	0181 00
REPLACE FUEL TANK FILLER COVER AND LOCK (ALL EXCEPT M577A3 AND M1068A3).....	0182 00
REPLACE FUEL TANK FILLER COVER AND LOCK (M577A3 AND M1068A3 ONLY).....	0183 00
REPLACE FILLER CAP AND STRAINER PARTS (ALL EXCEPT M577A3 AND M1068A3).....	0184 00
REPLACE FILLER CAP AND STRAINER PARTS (M577A3 AND M1068A3 ONLY).....	0185 00
REPLACE FUEL FILLER AND STRAINER PARTS (M577A3 AND M1068A3 ONLY)	0186 00
REPLACE FUEL TANK ACCESS COVERS AND DRAIN PLUGS (ALL EXCEPT M577A3 AND M1068A3).....	0187 00
REPLACE FUEL TANK ACCESS COVERS (M577A3 AND M1068A3 ONLY).....	0188 00
REPLACE FUEL TANK FILLER FLANGE (M577A3 AND M1068A3 ONLY).....	0189 00
REPLACE FUEL QUANTITY TRANSMITTER (ALL EXCEPT M577A3 AND M1068A3).....	0190 00
REPLACE FUEL QUANTITY TRANSMITTER (M577A3 AND M1068A3 ONLY).....	0191 00
REPLACE FUEL SUPPLY HOSES, TUBES, AND FITTINGS (M113A3, M901A3, M981A3, M1059A3, AND M58 ONLY).....	0192 00
REPLACE FUEL SUPPLY HOSES, TUBES AND FITTINGS (M577A3 AND M1068A3 ONLY).....	0193 00
REPLACE FUEL SUPPLY HOSES, TUBES, AND FITTINGS (M1064A3 ONLY).....	0194 00
REPLACE FUEL RETURN HOSES, TUBES, AND FITTINGS (M113A3, M901A3, M981A3, M1059A3, AND M58 ONLY).....	0195 00
REPLACE FUEL RETURN HOSES, TUBES, AND FITTINGS (M577A3 AND M1068A3 ONLY).....	0196 00
REPLACE FUEL RETURN HOSES, TUBES, AND FITTINGS (M1064A3 ONLY).....	0197 00
REPLACE FUEL VENT HOSES, TUBES, AND FITTINGS (M577A3 AND M1068A3 ONLY).....	0198 00
REPLACE FUEL VALVE MOUNTING BLOCKS (ALL EXCEPT M577A3 AND M1068A3).....	0199 00
REPLACE ENGINE FUEL SUPPLY HOSE.....	0200 00

TABLE OF CONTENTS (cont)

	<u>WP Sequence No.</u>
REPLACE ENGINE FUEL RETURN HOSE.....	0201 00
REPLACE PRIMARY AND SECONDARY FUEL FILTER ELEMENTS.....	0202 00
REPLACE PRIMARY AND SECONDARY FUEL FILTERS AND BRACKET.....	0203 00
REPLACE AIR BOX HEATER IGNITION WIRE.....	0204 00
REPLACE AIR BOX HEATER WIRING HARNESS.....	0205 00
REPLACE AIR BOX HEATER LOWER FUEL LINE.....	0206 00
REPLACE AIR HEATER IGNITER.....	0207 00
REPLACE AIR BOX IGNITION COIL.....	0208 00
REPLACE GLOW PLUG HARNESS AND GLOW PLUGS.....	0209 00
REPLACE GLOW PLUG CONTROLLER.....	0210 00
REPLACE GLOW PLUG POWER HARNESS.....	0211 00
REPLACE GLOW PLUG CONTROLLER MOUNTING BRACKET.....	0212 00
ADJUST THROTTLE VALVE (TV) MODULATOR.....	0213 00
ADJUST ACCELERATOR LINKAGE.....	0214 00
REPLACE LOWER ACCELERATOR PEDAL.....	0215 00
REPLACE UPPER ACCELERATOR PEDAL ASSEMBLY.....	0216 00
REPLACE FUEL CONTROL SHAFT AND LINKAGE.....	0217 00
REPLACE THROTTLE VALVE (TV) MODULATOR AND LEVER.....	0218 00
REPLACE HAND THROTTLE CONTROL CABLE ASSEMBLY.....	0219 00
REPLACE FUEL CUTOFF CONTROL CABLE ASSEMBLY.....	0220 00
 CHAPTER 6 — UNIT MAINTENANCE INSTRUCTIONS FOR EXHAUST SYSTEM	
REPLACE ENGINE EXHAUST ELBOWS AND DOUBLE FLEX JOINT.....	0221 00
REPAIR DOUBLE FLEX EXHAUST JOINT.....	0222 00
REPLACE MUFFLER EXTENSION AND CAP.....	0223 00
REPLACE EXHAUST MUFFLER AND BRACKET.....	0224 00
REPLACE ENGINE LEFT/RIGHT EXHAUST ELBOWS.....	0225 00
REPLACE LEFT/RIGHT TURBO EXHAUST PIPE HEAT SHIELD.....	0226 00
 CHAPTER 7 — UNIT MAINTENANCE INSTRUCTIONS FOR COOLING SYSTEM	
DRAIN AND FILL COOLING SYSTEM.....	0227 00
CLEAN RADIATOR.....	0228 00
REPLACE RADIATOR AND PARTS.....	0229 00
REPLACE AUXILIARY TANK.....	0230 00
REPLACE THERMOSTATIC FAN SPEED SWITCH.....	0231 00
REPLACE UPPER COOLANT HOSE AND TUBE.....	0232 00
REPLACE RADIATOR OUTLET TUBE AND HOSES.....	0233 00
REPLACE BALANCE HOSE.....	0234 00
REPLACE DRAIN COCK AND HOSE.....	0235 00
REPLACE COOLANT AIR SEPARATOR.....	0236 00
REPLACE THERMOSTAT/COVER.....	0237 00
REPLACE THERMOSTAT TUBE/HOSES.....	0238 00

TABLE OF CONTENTS (cont)

	<u>WP Sequence No.</u>
ADJUST COOLANT PUMP BELTS.....	0239 00
REPLACE COOLANT PUMP IDLER PULLEY/BELTS.....	0240 00
REPLACE ENGINE COOLANT PUMP.....	0241 00
ADJUST VENTILATING FAN DRIVE BELT.....	0242 00
REPLACE VENTILATING FAN DRIVE BELT.....	0243 00
REPLACE VENTILATING FAN DRIVE PULLEY.....	0244 00
REPLACE FLAT PULLEYS AND BEARINGS.....	0245 00
REPLACE IDLER ARM AND SPRING TENSIONER.....	0246 00
REPLACE VENTILATING FAN ASSEMBLY.....	0247 00
REPLACE FAN DRIVE SHAFT AND BEARING HOUSING.....	0248 00
REPLACE FAN AND GENERATOR VARIABLE SPEED DRIVE.....	0249 00
REPLACE HOSES FROM THERMOSTAT TO VARIABLE SPEED DRIVE.....	0250 00
REPLACE TRANSMISSION OIL SUPPLY AND RETURN HOSES.....	0251 00

Volume 3

CHAPTER 8 — UNIT MAINTENANCE INSTRUCTIONS FOR ELECTRICAL SYSTEM

ADJUST GENERATOR DRIVE BELT.....	0252 00
REPLACE GENERATOR DRIVE BELT.....	0253 00
REPLACE GENERATOR TURNBUCKLE PARTS.....	0254 00
REPLACE GENERATOR/BRACKET.....	0255 00
ADJUST VOLTAGE REGULATOR.....	0256 00
REPLACE REGULATOR ASSEMBLY.....	0257 00
REPLACE STARTER RELAY SWITCH.....	0258 00
REPLACE STARTER.....	0259 00
REPLACE MASTER SWITCH PANEL ASSEMBLY (M113A3, M901A3, M1059A3, M1064A3, AND M58 ONLY).....	0260 00
REPLACE MASTER SWITCH PANEL ASSEMBLY (M577A3 AND M1068A3 ONLY).....	0261 00
REPLACE MASTER SWITCH (M113A3, M901A3, M1059A3, M1064A3, AND M58 ONLY).....	0262 00
REPLACE AUXILIARY POWER (SLAVE) RECEPTACLE (M113A3, M901A3, M1059A3, M1064A3, AND M58 ONLY).....	0263 00
REPLACE NATO AUXILIARY POWER (SLAVE) RECEPTACLE (M577A3 AND M1068A3 ONLY).....	0264 00
REPLACE UTILITY OUTLET RECEPTACLE (ALL EXCEPT M981A3).....	0265 00
REPLACE MASTER SWITCH TO DISTRIBUTION BOX LEAD (CIRCUIT 49) (M113A3, M901A3, M1059A3, M1064A3, AND M58 ONLY).....	0266 00
REPLACE MASTER SWITCH TO DISTRIBUTION BOX LEAD (CIRCUIT 49) (M577A3 AND M1068A3 ONLY).....	0267 00
REPLACE MASTER SWITCH TO AUXILIARY POWER RECEPTACLE LEAD (CIRCUIT 50) (M113A3, M901A3, M1059A3, M1064A3, AND M58).....	0268 00
REPLACE DISTRIBUTION BOX (M113A3, M901A3, M1059A3, M1064A3, AND M58 ONLY).....	0269 00

TABLE OF CONTENTS (cont)

	<u>WP Sequence No.</u>
REPAIR DISTRIBUTION BOX (M113A3, M901A3, M1059A3, M1064A3, AND M58 ONLY).....	0270 00
REPLACE DISTRIBUTION BOX ASSEMBLY (M577A3 AND M1068A3 ONLY).....	0271 00
REPLACE DISTRIBUTION BOX ASSEMBLY (M901A3 ONLY).....	0272 00
REPLACE/REPAIR DISTRIBUTION BOX (M981A3 ONLY).....	0273 00
REPLACE DISTRIBUTION BOX CATCH AND STRIKE (M981A3 ONLY).....	0274 00
REPLACE BILGE PUMP CIRCUIT BREAKERS (ALL EXCEPT M981A3).....	0275 00
REPLACE REAR UTILITY RECEPTACLE CIRCUIT BREAKERS (M577A3 AND M1068A3 ONLY).....	0276 00
REPLACE FUEL SELECTOR SWITCH (M577A3 AND M1068A3 ONLY).....	0277 00
REPLACE BLOWER SWITCH (M577A3 AND M1068A3 ONLY).....	0278 00
REPLACE INSTRUMENT PANEL ASSEMBLY.....	0279 00
REPLACE CIRCUIT BREAKER.....	0280 00
REPLACE FUEL SELECT SWITCH TO GAUGE LEAD (ALL EXCEPT M577A3 AND M1068A3).....	0281 00
REPLACE INSTRUMENT PANEL ON-OFF SWITCHES.....	0282 00
REPLACE MAIN LIGHT SWITCH.....	0283 00
REPLACE ENGINE START SWITCH.....	0284 00
REPLACE INSTRUMENT PANEL GAUGES.....	0285 00
REPLACE PANEL LIGHTS AND INDICATOR LIGHTS.....	0286 00
REPLACE INSTRUMENT PANEL WARNING LIGHTS.....	0287 00
REPLACE INSTRUMENT WARNING LIGHT PANEL.....	0288 00
REPLACE INSTRUMENT PANEL BATTERY-GENERATOR GAUGE WIRING HARNESS (ALL EXCEPT M981A3).....	0289 00
REPLACE INSTRUMENT PANEL SPECIAL PURPOSE CABLE.....	0290 00
REPLACE WARNING LIGHT PANEL ASSEMBLY.....	0291 00
REPLACE WARNING LIGHT PANEL.....	0292 00
REPLACE HORN SWITCH.....	0293 00
REPLACE WARNING PANEL LIGHTS.....	0294 00
REPLACE INSTRUMENT PANEL MOUNTS AND GROUND LEAD.....	0295 00
REPLACE TELEPOSTS AND COVER.....	0296 00
REPLACE SOLID STATE INFRARED POWER SUPPLY.....	0297 00
REPLACE STOP LIGHT-TAIL LIGHT AND GUARDS (ALL EXCEPT M577A3 AND M1068A3).....	0298 00
REPLACE LEFT STOP LIGHT-TAIL LIGHT (M577A3 AND M1068A3 ONLY).....	0299 00
REPAIR LEFT STOP LIGHT-TAIL LIGHT.....	0300 00
REPLACE RIGHT STOP LIGHT-TAIL LIGHT (M577A3 ONLY).....	0301 00
REPAIR RIGHT STOP LIGHT-TAIL LIGHT.....	0302 00
REPLACE SERVICE AND INFRARED HEADLIGHTS.....	0303 00
REPAIR SERVICE AND INFRARED HEADLIGHTS.....	0304 00
REPLACE BLACKOUT HEADLIGHT.....	0305 00
REPAIR BLACKOUT HEADLIGHT.....	0306 00

TABLE OF CONTENTS (cont)

	<u>WP Sequence No.</u>
REPLACE BLACKOUT MARKER LIGHT.....	0307 00
REPAIR BLACKOUT MARKER LIGHT.....	0308 00
REPLACE DOME LIGHT (ALL EXCEPT M577A3 AND M1068A3).....	0309 00
REPAIR DOME LIGHT (ALL EXCEPT M577A3 AND M1068A3).....	0310 00
REPLACE DOME LIGHT (M577A3 AND M1068A3 ONLY).....	0311 00
REPAIR DOME LIGHT AND MOUNT (M577A3 AND M1068A3 ONLY).....	0312 00
REPLACE DOME LIGHT LENS (ALL EXCEPT M577A3 AND M1068A3).....	0313 00
REPLACE FRONT DOME LIGHT SWITCH (M577A3 AND M1068A3 ONLY).....	0314 00
REPLACE REAR DOME LIGHT SWITCH (M577A3 AND M1068A3 ONLY).....	0315 00
REPLACE DOME LIGHT CIRCUIT BREAKER (M577A3 AND M1068A3 ONLY).....	0316 00
REPLACE DOME BLACKOUT LIGHT BYPASS SWITCH (M577A3 AND M1068A3 ONLY).....	0317 00
REPLACE TENT LIGHT ASSEMBLY (M577A3 AND M1068A3 ONLY).....	0318 00
REPLACE UTILITY LIGHT (M981A3 ONLY).....	0319 00
REPLACE ENGINE OIL LOW PRESSURE TRANSMITTER AND HARDWARE.....	0320 00
REPLACE COOLANT TEMPERATURE TRANSMITTER.....	0321 00
REPLACE TRANSMISSION OIL HIGH TEMPERATURE SWITCH.....	0322 00
REPLACE GENERATOR FIELD PRESSURE SWITCH.....	0323 00
REPLACE FUEL SUPPLY PRESSURE TRANSDUCER.....	0324 00
REPLACE FUEL RETURN PRESSURE TRANSDUCER.....	0325 00
REPLACE TURBO OUTLET PRESSURE TRANSDUCER.....	0326 00
REPLACE AIR BOX PRESSURE TRANSDUCER.....	0327 00
REPLACE FUEL FILTER DIFFERENTIAL PRESSURE SWITCH.....	0328 00
REPLACE AUXILIARY TANK FLUID LEVEL DETECTOR.....	0329 00
REPLACE STEERING LOCK SWITCH.....	0330 00
REPLACE PARKING BRAKE SWITCH/BRACKET.....	0331 00
REPLACE STOP SWITCH.....	0332 00
REPLACE HEADLIGHT HIGH BEAM SELECTOR SWITCH.....	0333 00
REPLACE ADMITTANCE BUZZER AND SWITCH (M577A3 AND M1068A3 ONLY).....	0334 00
REPLACE RAMP DOOR SWITCH AND MOUNT (M577A3 AND M1068A3 ONLY).....	0335 00
REPLACE HORN AND GROUND LEAD.....	0336 00
DISCONNECT/CONNECT BATTERY GROUND STRAP (M113A3, M901A3, M1059A3, M1064A3, AND M58 ONLY).....	0337 00
DISCONNECT/CONNECT BATTERY GROUND LEAD (M577A3 AND M1068A3 ONLY).....	0338 00
DISCONNECT/CONNECT BATTERY GROUND LEAD (M981A3 ONLY).....	0339 00
REPLACE BATTERY LEADS AND TERMINALS (M113A3, M901A3, AND M1059A3 ONLY).....	0340 00
REPLACE BATTERY LEADS AND TERMINALS (M577A3 AND M1068A3 ONLY).....	0341 00
REPLACE BATTERY LEADS AND TERMINALS (M981A3 ONLY).....	0342 00
REPLACE BATTERY LEADS AND TERMINALS (LEFT SIDE) (M1064A3 ONLY).....	0343 00
REPLACE BATTERY LEADS AND TERMINALS (RIGHT SIDE) (M1064A3 ONLY).....	0344 00

TABLE OF CONTENTS (cont)

	<u>WP Sequence No.</u>
REPLACE BATTERY LEADS AND TERMINALS (M58 ONLY).....	0345 00
REPLACE BATTERIES AND RETAINERS (M113A3, M901A3, AND M1059A3 ONLY).....	0346 00
REPLACE BATTERIES AND RETAINERS (M577A3 AND M1068A3 ONLY).....	0347 00
REPLACE BATTERIES AND BATTERY BOX (M981A3 AND M58 ONLY).....	0348 00
REPLACE BATTERIES AND RETAINERS (LEFT SIDE) (M1064A3 ONLY)	0349 00
REPAIR BATTERY BOX (M113A3, M901A3, AND M1059A3 ONLY).....	0350 00
REPAIR BATTERY BOX (M577A3 AND M1068A3 ONLY).....	0351 00
REPAIR BATTERY BOX ACCESS COVER (M577A3 AND M1068A3 ONLY).....	0352 00
REPAIR BATTERY DRAWER (M1064A3 ONLY).....	0353 00
REPAIR BATTERY BOX (RIGHT SIDE) (M1064A3).....	0354 00
REPLACE BATTERY BOX VENT FITTING (M981A3 AND M58 ONLY).....	0355 00
REPLACE BATTERY TO MASTER SWITCH LEAD (CIRCUIT 6) (M113A3, M901A3, AND M1059A3 ONLY).....	0356 00
REPLACE BATTERY TO MASTER SWITCH LEAD (CIRCUIT 6) (M577A3 AND M1068A3 ONLY).....	0357 00
REPLACE BATTERY TO MASTER SWITCH LEAD (CIRCUIT 6) (M1064A3 ONLY)	0358 00
REPLACE ENGINE WIRING HARNESS.....	0359 00
REPLACE TRANSMISSION WIRING HARNESS	0360 00
REPLACE TRANSMISSION CONTROLLER WIRING HARNESS.....	0361 00
REPLACE REAR MAIN WIRING HARNESS (M113A3, M901A3, M981A3, M1059A3, AND M58).....	0362 00
REPLACE REAR MAIN WIRING HARNESS (M577A3 ONLY).....	0363 00
REPLACE REAR MAIN WIRING HARNESS (M1064A3 ONLY)	0364 00
REPLACE REAR MAIN WIRING HARNESS (M1068A3 ONLY).....	0365 00
REPLACE SMOKE GRENADE LAUNCHER WIRING HARNESS (M113A3, M901A3, M981A3, M1059A3, AND M58 ONLY).....	0366 00
REPLACE STEERING LOCK SWITCH WIRING HARNESS.....	0367 00
REPLACE DRIVER'S NIGHT VISION (DNV) (AN/VVS-2) POWER SUPPLY CABLE ASSEMBLY (ALL EXCEPT M58).....	0368 00
REPLACE BATTERY-TO-RADIO WIRING HARNESS (LEFT SIDE) (M113A3, M901A3, AND M1059A3 ONLY).....	0369 00
REPLACE BATTERY-TO-RADIO WIRING HARNESS (RIGHT SIDE) (M113A3 ONLY).....	0370 00
REPLACE BATTERY-TO-RADIO WIRING HARNESS (CKT 48) (M981A3 ONLY).....	0371 00
REPLACE CAPACITOR COVER (M981A3 ONLY).....	0372 00
REPLACE RIGHT HEADLIGHT WIRING HARNESS.....	0373 00
REPLACE WARNING PANEL WIRING HARNESS.....	0374 00
REPLACE TRAILER HARNESS.....	0375 00
REPLACE RADIAC WIRE HARNESS (M113A3, M577A3, AND M1068A3 ONLY).....	0376 00
REPLACE UTILITY OUTLET LEAD ASSEMBLY (M577A3 AND M1068A3 ONLY).....	0377 00
REPLACE REAR UTILITY OUTLET RECEPTACLES (M577A3 AND M1068A3 ONLY).....	0378 00

TABLE OF CONTENTS (cont)

	<u>WP Sequence No.</u>
REPLACE AUXILIARY POWER (SLAVE) RECEPTACLE GROUND LEAD (M113A3, M901A3, M1059A3, M1064A3, AND M58 ONLY).....	0379 00
REPLACE MASTER SWITCH PANEL DOME LIGHTS LEAD ASSEMBLY (M577A3 AND M1068A3 ONLY).....	0380 00
REPAIR INTERVEHICLE POWER CABLE (M577A3 AND M1068A3 ONLY).....	0381 00
REPAIR WIRING HARNESS.....	0382 00
REPLACE VENTILATION FAN (M577A3 AND M1068A3 ONLY).....	0383 00
 CHAPTER 9 — UNIT MAINTENANCE INSTRUCTIONS FOR TRANSMISSION	
REPLACE TRANSMISSION OIL DRAIN TUBES AND BRACKET.....	0384 00
REPLACE TRANSMISSION MOUNTS.....	038500
REPLACE TRANSMISSION RANGE CONTROLLER/BRACKET (USED WITH SOLENOID-ACTIVATED STEERING LOCK).....	0386 00
REPLACE TRANSMISSION RANGE CONTROLLER/BRACKET (USED WITH CABLE-ACTIVATED STEERING LOCK).....	0387 00
REPLACE TRANSMISSION RANGE CONTROLLER LAMP.....	0388 00
REPLACE TRANSMISSION RANGE CONTROLLER SWITCH.....	0389 00
ADJUST TOW START CONTROL CABLE ASSEMBLY.....	0390 00
REPLACE TOW START CONTROL ASSEMBLY AND BEARING.....	0391 00
REPLACE TOW START CONTROL ASSEMBLY COVER.....	0392 00
ADJUST TRANSMISSION STEERING.....	0393 00
ADJUST TRANSMISSION BRAKES.....	0394 00
REPLACE TRANSMISSION OIL LEVEL DIPSTICK, FILLER TUBE, AND ADAPTER (X200-4 ONLY).....	0395 00
REPLACE TRANSMISSION OIL LEVEL DIPSTICK, FILLER TUBE, AND ADAPTER (X200-4A ONLY).....	0396 00
REPLACE GOVERNOR ASSEMBLY.....	0397 00
REPLACE TRANSMISSION OIL AND OIL FILTER ELEMENT.....	0398 00
REPLACE TRANSMISSION OIL COOLER HOSES, FITTINGS, AND MOUNTING.....	0399 00
REPLACE TRANSMISSION OIL SAMPLING VALVE AND PRESSURE SWITCH.....	0400 00
REPLACE DIFFERENTIAL PRESSURE SWITCH AND BYPASS PLUG.....	0401 00
 CHAPTER 10 — UNIT MAINTENANCE INSTRUCTIONS FOR TRANSFER AND FINAL DRIVE ASSEMBLIES	
REPLACE FINAL DRIVE FILLER TUBE AND DIPSTICK.....	0402 00
REPLACE FINAL DRIVE.....	0403 00
REPLACE FINAL DRIVE DIFFERENTIAL OIL SEAL.....	040400
 CHAPTER 11 — UNIT MAINTENANCE INSTRUCTIONS FOR PROPELLER SHAFTS AND UNIVERSAL JOINTS	
REPLACE PROPELLER SHAFT AND UNIVERSAL JOINTS.....	0405 00
 CHAPTER 12 — UNIT MAINTENANCE INSTRUCTIONS FOR BRAKES	
CHECK TRANSMISSION BRAKE ADJUSTMENT.....	0406 00
ADJUST SERVICE BRAKE CONTROL LINKAGE.....	0407 00

TABLE OF CONTENTS (cont)

WP Sequence No.

ADJUST PARKING BRAKE	0408 00
REPLACE UPPER AND LOWER SERVICE BRAKE PEDAL.....	0409 00
REPLACE SERVICE BRAKE CONTROL LINKAGE	0410 00
REPLACE PARKING BRAKE CONTROL CABLE ASSEMBLY.....	0411 00
REPLACE PARKING BRAKE CONTROL LEVER ASSEMBLY	0412 00

Volume 4

CHAPTER 13 — UNIT MAINTENANCE INSTRUCTIONS FOR WHEELS AND TRACKS

REPLACE TORSION BAR.....	0413 00
REPLACE TORSION BAR ANCHOR.....	0414 00
REPLACE ROAD WHEEL SUPPORT ARM, BEARINGS, AND SEALS.....	0415 00
REPLACE ROAD WHEEL HUB.....	0416 00
REPLACE IDLER WHEEL ARM ASSEMBLY.....	0417 00
REPLACE IDLER WHEEL ARM BEARINGS AND SEALS.....	0418 00
REPLACE TRACK TENSION ADJUSTER AND MOUNT.....	0419 00
REPLACE DRIVE SPROCKET AND CARRIER ASSEMBLY	0420 00
REPAIR DRIVE SPROCKET CARRIER ASSEMBLY.....	0421 00
REPLACE TRACK.....	0422 00
REPLACE TRACK SHOE ASSEMBLY.....	0423 00
REPLACE TRACK SHOE PAD.....	0424 00
REPLACE IDLER WHEEL.....	0425 00
REPLACE ROAD WHEEL.....	0426 00

CHAPTER 14 — UNIT MAINTENANCE INSTRUCTIONS FOR STEERING

ADJUST STEERING WHEEL LINKAGE.....	0427 00
REPLACE STEERING LOCK SOLENOID, BRACKET, LINKS, AND PINS (SOLENOID-ACTIVATED LOCK).....	0428 00
REPLACE PUSH-PULL CONTROL ASSEMBLY, BRACKET, LINKS, AND PINS (CABLE-ACTIVATED LOCK).....	0429 00
REPLACE STEERING WHEEL LINKAGE.....	0430 00
REPLACE QUICK RELEASE PIN AND LANYARD.....	0431 00
REPLACE STEERING SUPPORT, BRACKETS, AND SHAFT.....	0432 00

CHAPTER 15 — UNIT MAINTENANCE INSTRUCTIONS FOR TOWING ATTACHMENTS

REPLACE TOWING PINTLE.....	0433 00
REPAIR TOWING PINTLE.....	0434 00

CHAPTER 16 — UNIT MAINTENANCE INSTRUCTIONS FOR SHOCK ABSORBERS

REPLACE SHOCK ABSORBER.....	0435 00
REPLACE SHOCK ABSORBER MOUNT.....	0436 00
REPLACE SHOCK ABSORBER PIN.....	0437 00

CHAPTER 17 — UNIT MAINTENANCE INSTRUCTIONS FOR HULL

TABLE OF CONTENTS (cont)

	<u>WP Sequence No.</u>
REPLACE TRACK SHROUD AND COVERS.....	0438 00
REPAIR/REPLACE POWER PLANT REAR ACCESS PANELS.....	0439 00
REMOVE/INSTALL FAN DRIVE PULLEY ACCESS COVER.....	0440 00
REPLACE DRIVER'S POWER PLANT ACCESS PANEL.....	0441 00
REPAIR PAMPHLET BAG MOUNTING.....	0442 00
REPLACE TOWING HOOK AND EYE.....	0443 00
REPLACE LIFTING EYE.....	0444 00
REPLACE REAR TIEDOWN PLATES.....	0445 00
REPLACE HEADLIGHT GUARD.....	0446 00
REPLACE LEFT FRONT ARMOR PLATE.....	0447 00
REPLACE RIGHT FRONT ARMOR PLATE.....	0448 00
REPLACE HULL FRONT ACCESS COVER.....	0449 00
REPLACE POWER PLANT BOTTOM ACCESS COVER.....	0450 00
REPLACE HULL DRAIN PLUG.....	0451 00
REPLACE FINAL DRIVE HULL DRAIN PLUGS.....	0452 00
REPLACE DRIVER'S COMPARTMENT FLOOR PLATES.....	0453 00
REPLACE REAR COMPARTMENT AIR VENTILATOR.....	0454 00
REPLACE SMOKE GRENADE LAUNCHER GUARD, PLATE, AND BASE (M113A3, M901A3, M981A3, AND M1059A3 ONLY).....	0455 00
REPLACE WATER BARRIER (M113A3, M577A3, AND M1068A3 ONLY).....	0456 00
REPLACE WATER BARRIER LOOP AND STRAP (M113A3, M577A3, AND M1068A3 ONLY).....	0457 00
REPLACE TRIM VANE.....	0458 00
REPAIR TRIM VANE (ALL EXCEPT M58).....	0459 00
REPAIR TRIM VANE (M58 ONLY).....	0460 00
REPAIR TRIM VANE CONTROL LINKAGE.....	0461 00
REPLACE TRIM VANE RELEASE.....	0462 00
REPAIR TRIM VANE RELEASE.....	0463 00
RAISE AND LOWER POWER PLANT GRILLE.....	0464 00
REMOVE/INSTALL POWER PLANT GRILLE.....	0465 00
REPLACE COMBAT FILLER COVER AND LOCK.....	0466 00
REPLACE POWER PLANT GRILL SUPPORT ARM.....	0467 00
REPLACE POWER PLANT GRILL SCREEN.....	0468 00
REPLACE RADIATOR ACCESS DOOR.....	0469 00
REPLACE POWER PLANT DOOR (M113A3 ONLY).....	0470 00
REPLACE POWER PLANT DOOR (ALL EXCEPT M113A3).....	0471 00
REPAIR POWER PLANT DOOR.....	0472 00
REPLACE POWER PLANT DOOR COMBAT LOCK.....	0473 00
REPLACE CARGO HATCH HOLD-OPEN HOOK AND BUMPERS (M113A3, M901A3, M981A3, AND M1059A3 ONLY).....	0474 00
REPLACE CARGO HATCH INTERIOR LATCH (M113A3, M901A3, M981A3, AND M1059A3 ONLY).....	0475 00

TABLE OF CONTENTS (cont)

	<u>WP Sequence No.</u>
REPAIR CARGO HATCH LATCH (M901A3 ONLY).....	0476 00
REPLACE CARGO HATCH SUPPORT (M901A3 ONLY).....	0477 00
REPLACE CARGO HATCH SEALS (M113A3, M901A3, M981A3, AND M1059A3 ONLY).....	0478 00
REPLACE CARGO HATCH COVER (M113A3, M901A3, M981A3, AND M1059A3 ONLY).....	0479 00
REPLACE MORTAR HATCH EXTERIOR CATCHES AND BUMPERS (M1064A3 ONLY).....	0480 00
REPLACE MORTAR HATCH INTERIOR RELEASE MECHANISMS (M1064A3 ONLY).....	0481 00
REPLACE MORTAR HATCH COVERS (M1064A3 ONLY).....	0482 00
REPLACE HOPPER HATCH LOCK ASSEMBLY (M58 ONLY).....	0483 00
REPLACE HOPPER HATCH (M58 ONLY).....	0484 00
REPLACE TURBINE ACCESS DOOR (M58 ONLY).....	0485 00
REPLACE TURBINE ACCESS DOOR GASKET (M58 ONLY).....	0486 00
REPLACE TURBINE ACCESS DOOR HINGES (M58 ONLY).....	0487 00
REPLACE COMMANDER'S CUPOLA CUSHIONING PAD AND HANDLE (M113A3, M1059A3, M58, AND M1064A3 ONLY).....	0488 00
REPLACE COMMANDER'S CUPOLA AZIMUTH LOCK (M113A3, M1059A3, M58 AND M1064A3 ONLY).....	0489 00
REPLACE COMMANDER'S CUPOLA VISION BLOCK LOCKS AND SEALS (M113A3 AND M1059A3, M58 ONLY).....	0490 00
REPLACE COMMANDER'S CUPOLA VISION BLOCK LOCKS AND SEALS (M1064A3 ONLY).....	0491 00
REPLACE COMMANDER'S CUPOLA BRAKE ASSEMBLY (M113A3, M1059A3, M58, AND M1064A3 ONLY).....	0492 00
REPLACE COMMANDER'S CUPOLA COVER (M113A3, M1059A3, M58, AND M1064A3 ONLY).....	0493 00
REPLACE COMMANDER'S CUPOLA HOLD-OPEN HOOK AND BUMPER (M113A3, M1059A3, M58, AND M1064A3 ONLY).....	0494 00
REPLACE COMMANDER'S CUPOLA SAFETY PIN STOWAGE BLOCK (M113A3, M1059A3, M58, AND M1064A3 ONLY).....	0495 00
REPLACE COMMANDER'S CUPOLA INTERIOR LATCH (M113A3, M1059A3, M58, AND M1064A3 ONLY).....	0496 00
REPLACE COMMANDER'S CUPOLA MACHINE GUN MOUNT (M113A3, M1059A3, M58, AND M1064A3 ONLY).....	0497 00
REPAIR COMMANDER'S CUPOLA MACHINE GUN MOUNT (M113A3, M1059A3, M58, AND M1064A3 ONLY).....	0498 00
REPLACE COMMANDER'S CUPOLA MACHINE GUN MOUNT STOPS (M1059A3 ONLY).....	0499 00
REPLACE COMMANDER'S HATCH CUSHIONING PAD AND HANDLE (M577A3 AND M1068A3 ONLY).....	0500 00
REPLACE COMMANDER'S HATCH HOOK AND BUMPER (M577A3 AND M1068A3 ONLY).....	0501 00
REPLACE COMMANDER'S HATCH INTERIOR LATCH (M577A3 AND M1068A3 ONLY).....	0502 00

TABLE OF CONTENTS (cont)

	<u>WP Sequence No.</u>
REPLACE COMMANDER'S HATCH COVER (M577A3 AND M1068A3 ONLY)	0503 00
REPLACE RIGHT SIDE SPALL LINERS (M113A3 ONLY).....	0504 00
REPLACE LEFT SIDE SPALL LINERS (M113A3 ONLY).....	0505 00
REPAIR SPALL LINER QUICK RELEASE PINS AND PLATES (M113A3 ONLY).....	0506 00
REPLACE FORWARD SPALL LINER AND BRACKET (M113A3 ONLY).....	0507 00
REPLACE FORWARD UPPER RIGHT AND LEFT SIDE SPALL LINERS (M113A3 ONLY).....	0508 00
REPLACE SPALL LINER ON CARGO HATCH COVER (M113A3 ONLY).....	0509 00
REPLACE REAR UPPER HULL SPALL LINER (M113A3 ONLY).....	0510 00
REPLACE SPALL LINER ON RAMP DOOR (M113A3 ONLY).....	0511 00
REPLACE SPALL LINER ON RAMP (M113A3 ONLY).....	0512 00
RAISE/LOWER INOPERABLE/UNSAFE RAMP.....	0513 00
REPLACE RAMP SEAL.....	0514 00
REPLACE RAMP DRAIN PLUGS.....	0515 00
REPLACE RAMP BRACKET (M113A3, M577A3, AND M1068A3 ONLY).....	0516 00
REPLACE RAMP DOOR STOP BRACKET.....	0517 00
REPLACE RAMP DOOR HOOK AND SPRING.....	0518 00
REPLACE RAMP DOOR HANDLES AND SHAFT.....	0519 00
REPLACE RAMP DOOR SEAL.....	0520 00
ADJUST RAMP LOCK (M113A3, M901A3, M981A3, AND M1059A3 ONLY).....	0521 00
ADJUST RAMP LOCK (M577A3 AND M1068A3 ONLY).....	0522 00
ADJUST RAMP LOCK (M1064A3 ONLY).....	0523 00
REPLACE RAMP LOCK HANDLE AND ARMS (ALL EXCEPT M577A3 AND M1068A3).....	0524 00
REPLACE RAMP LOCK LEVER AND CABLE (M577A3 AND M1068A3 ONLY).....	0525 00
REPLACE RAMP LINKAGE (M113A3, M901A3, M981A3, AND M1059A3 ONLY).....	0526 00
REPLACE RAMP LINKAGE (M577A3 AND M1068A3 ONLY).....	0527 00
REPLACE RAMP LINKAGE (M1064A3 ONLY).....	0528 00
REPAIR HULL BY WELDING.....	0529 00
REPLACE DRIVER'S HATCH CUSHIONING PAD.....	0530 00
REPLACE DRIVER'S HATCH COVER AND EXTERIOR LOCK (ALL EXCEPT M901A3 AND M981A3).....	0531 00
REPLACE DRIVER'S HATCH HOLD-OPEN HOOK AND BUMPER (M113A3, M1059A3, M1064A3, AND M58 ONLY).....	0532 00
REPLACE DRIVER'S HATCH HOLD-OPEN HOOK AND BUMPER (M577A3 AND M1068A3 ONLY).....	0533 00
REPLACE DRIVER'S HATCH INTERIOR LOCK AND LATCH.....	0534 00
REPLACE DRIVER'S HATCH VISION BLOCK LOCKS AND SEALS.....	0535 00
REPLACE DRIVER'S HATCH AN/VVS-2 DRIVER'S NIGHT VISION GUARD (ALL EXCEPT M58).....	0536 00
REPLACE AN/VVS-2 DRIVER'S NIGHT VISION MOUNT (ALL EXCEPT M58).....	0537 00
REPAIR DRIVER'S HATCH (M901A3 AND M981A3 ONLY).....	0538 00

TABLE OF CONTENTS (cont)

	<u>WP Sequence No.</u>
REPLACE FLOOR PLATES (M113A3 AND M577A3 ONLY).....	0539 00
REPLACE FLOOR PLATES (M901A3 ONLY).....	0540 00
REPLACE FLOOR PLATES (M981A3 ONLY).....	0541 00
REPLACE FLOOR PLATES (M1059A3 ONLY).....	0542 00
REPLACE FLOOR PLATES (M1064A3 ONLY).....	0543 00
REPLACE FLOOR PLATES (M1068A3 ONLY).....	0544 00
REPLACE FLOOR PLATES (M58 ONLY).....	0545 00
REPLACE PERSONNEL SEATS, CUSHIONS, AND BELTS (M113A3 ONLY).....	0546 00
REPLACE PERSONNEL SEATS, CUSHIONS, AND BELTS (M577A3 ONLY).....	0547 00
REPLACE PERSONNEL SEAT, CUSHION, AND BELTS (M981A3 ONLY).....	0548 00
REPLACE PERSONNEL SEATS, BACKRESTS, CUSHIONS, AND BELTS (M1059A3 ONLY).....	0549 00
REPLACE PERSONNEL SEATS, BACKRESTS, CUSHIONS, AND BELTS (M1064A3 ONLY).....	0550 00
REPLACE DRIVER'S SEAT ASSEMBLY.....	0551 00
REPAIR DRIVER'S SEAT.....	0552 00
REPLACE DRIVER'S SEAT BACK ASSEMBLY.....	0553 00
REPAIR DRIVER'S SEAT BACK ASSEMBLY.....	0554 00
REPLACE DRIVER'S SEAT IMPACT ABSORBER.....	0555 00
REPLACE DRIVER'S SEAT POST ASSEMBLY.....	0556 00
REPAIR DRIVER'S SEAT POST ASSEMBLY.....	0557 00
REPLACE DRIVER'S FOOTREST.....	0558 00
REPLACE/REPAIR COMMANDER'S PLATFORM (M113A3, M1059A3, M1064A3, AND M58 ONLY).....	0559 00
REPLACE COMMANDER'S SEAT AND POST (M113A3, M1059A3, AND M58 ONLY).....	0560 00
REPLACE COMMANDER'S SEAT AND POST (M1064A3 ONLY).....	0561 00
REPAIR COMMANDER'S SEAT (M113A3, M1059A3, M1064A3, AND M58 ONLY).....	0562 00
REPLACE COMMANDER'S JUMP SEAT (M113A3 ONLY).....	0563 00
REPLACE/REPAIR COMMANDER'S PLATFORM AND POST (M577A3 AND M1068A3 ONLY).....	0564 00
REPLACE COMMANDER'S SEAT (OBSERVATION PERISCOPE) (M901A3 AND M981A3 ONLY).....	0565 00
REPLACE/REPAIR COMMANDER'S SEAT (M1068A3 ONLY).....	0566 00
REPLACE/REPAIR OPERATOR'S SEAT (M1059A3 ONLY).....	0567 00
REPLACE/REPAIR RADIO OPERATOR'S SEAT (M981A3, M1068A3, AND M58 ONLY).....	0568 00
REPLACE WEBBING STRAPS.....	0569 00
REPLACE CUSHIONING PADS.....	0570 00
REPLACE TOOL BOX LOOPS.....	0571 00
REPLACE AN/VVS-2 DRIVER'S NIGHT VISION STOWAGE MOUNT (ALL EXCEPT M58).....	0572 00
REPLACE RIFLE BRACKETS.....	0573 00

TABLE OF CONTENTS (cont)

	<u>WP Sequence No.</u>
REPLACE OIL CAN BRACKET.....	0574 00
REPLACE ANTENNA GUARDS (ALL EXCEPT M981A3).....	0575 00
REPLACE ANTENNA COVERS (ALL EXCEPT M981A3).....	0576 00
REPLACE LEFT BULKHEAD RADIO STOWAGE RACKS (M577A3 AND M1068A3 ONLY).....	0577 00
REPLACE LEFT TABLE (M577A3 ONLY).....	0578 00
REPLACE RIGHT FRONT RADIO STOWAGE RACK (M577A3 ONLY).....	0579 00
REPLACE MAP BOARD (M577A3 ONLY).....	0580 00
REPLACE RIGHT FORWARD TABLE (M577A3 ONLY).....	0581 00
REPLACE RIGHT REARWARD TABLE (M577A3 ONLY).....	0582 00
REPLACE M26 PERISCOPE/MOUNT (M901A3 AND M981A3 ONLY).....	0583 00
REPAIR M26 PERISCOPE MOUNT (M901A3 AND M981A3 ONLY).....	0584 00
REPLACE PERISCOPE MOUNTING BRACKET (M901A3 AND M981A3 ONLY).....	0585 00
REPLACE/REPAIR RAMP VISION PORT AND SHIELD (M901A3, M981A3, AND M58 ONLY).....	0586 00
REPLACE AMMUNITION STOWAGE RACK (M901A3 ONLY).....	0587 00
REPLACE MISSILE RACK (M901A3 ONLY).....	0588 00
REPLACE MISSILE RACK RETAINERS (M901A3 ONLY).....	0589 00
REPLACE LAUNCH TUBE STOWAGE BRACKET (M901A3 ONLY).....	0590 00
REPLACE TRAVERSING UNIT MOUNT AND SPACER (M901A3 ONLY).....	0591 00
REPLACE TRIPOD STOWAGE BRACKETS (M901A3 ONLY).....	0592 00
REPLACE VEHICLE ACCESS BOX (M901A3 AND M981A3 ONLY).....	0593 00
REPLACE SIDE ARMOR (M901A3 ONLY).....	0594 00
REPLACE LAUNCHER LOW-STOW STOWAGE BRACKET(M901A3 ONLY).....	0595 00
REPLACE LOW-STOW CUSHION BASE (M901A3 ONLY).....	0596 00
REPLACE/REPAIR ELECTRICAL EQUIPMENT RACK ASSEMBLY (M981A3 ONLY).....	0597 00
REPAIR SMALL ITEMS STORAGE DRAWER (M981A3 ONLY).....	0598 00
REPLACE/REPAIR BACKPACK STOWAGE RACK (M981A3 ONLY).....	0599 00
REPLACE ANTENNA GUARD (M981A3 ONLY).....	0600 00
REPLACE ANTENNA COVERS (M981A3 ONLY).....	0601 00
REPLACE ANTENNA SUPPORT (M981A3 AND M58 ONLY).....	0602 00
REPLACE CABLE REEL HOLDER ASSEMBLY (M981A3 AND M1064A3 ONLY).....	0603 00
REPAIR CABLE REEL HOLDER ASSEMBLY (M981A3 AND M1064A3 ONLY).....	0604 00
REPAIR NONSKID SURFACES (M981A3 ONLY).....	0605 00
REPLACE HORIZONTAL AMMUNITION RACK (M1064A3 ONLY)	0606 00
REPAIR HORIZONTAL AMMUNITION RACK (M1064A3 ONLY).....	0607 00
REPLACE VERTICAL AMMUNITION RACK (M1064A3 ONLY).....	0608 00
REPLACE RADIO STOWAGE RACK (M1064A3 ONLY).....	0609 00
REPLACE GRENADE STOWAGE BOX (M1064A3 ONLY).....	0610 00
REPLACE PERISCOPE STOWAGE BOX (M1064A3 ONLY).....	0611 00
REPLACE RIFLE RACK (M1064A3 ONLY).....	0612 00

TABLE OF CONTENTS (cont)

	<u>WP Sequence No.</u>
REPLACE SIGHT EXTENSION ARM STOWAGE BRACKETS (M1064A3 ONLY).....	0613 00
REPLACE WINDSHIELD STOWAGE BRACKET (M1064A3 ONLY).....	0614 00
REPLACE MORTAR BASE STOWAGE BRACKET (M1064A3 ONLY).....	0615 00
REPLACE LEFT SIDE RACK BASE (M1068A3 ONLY).....	0616 00
REPLACE PERSONNEL HEATER CONTROL BOX AND INTERCOM BOX BRACKET (M1068A3 ONLY).....	0617 00
REPLACE/REPAIR MAP BOARD (M1068A3 ONLY).....	0618 00
REPLACE MAP STORAGE BOX (M1068A3 ONLY).....	0619 00
REPAIR MAP STORAGE BOX (M1068A3 ONLY).....	0620 00
REPLACE RIGHT SIDE SHELF ASSEMBLY (M1068A3 ONLY).....	0621 00
REPLACE RIGHT SIDE RACK BASE (M1068A3 ONLY).....	0622 00
REPLACE RIGHT SIDE BASE EXTENSION (M1068A3 ONLY).....	0623 00
REPLACE RIGHT SIDE BASE EXTENSION SUPPORTS (M1068A3 ONLY).....	0624 00
REPLACE/REPAIR ANTENNA MAST BRACKET ASSEMBLY, TAILLIGHT WIRING HARNESS, AND BRACKET (M1068A3 ONLY).....	0625 00
REPLACE REAR EXTERNAL STOWAGE FRAME (M1068A3 ONLY).....	0626 00

Volume 5

CHAPTER 18 — UNIT MAINTENANCE INSTRUCTIONS FOR HULL ACCESSORY ITEMS

REPLACE TENT AND TENT CLAMPS (M577A3 ONLY).....	0627 00
REPLACE TENT AND FRAME MOUNTS (M577A3 ONLY).....	0628 00
REPLACE BLACKOUT CURTAIN AND FRAME (M577A3 AND M1068A3 ONLY).....	0629 00
REPLACE/REPAIR DRIVER'S LEVEL INDICATOR (M901A3 AND M981A3 ONLY)	0630 00
REPLACE FRONT BILGE PUMP PIPES.....	0631 00
REPLACE FRONT BILGE PUMP AND STRAINER.....	0632 00
REPLACE FRONT BILGE VALVE.....	0633 00
REPLACE REAR BILGE PUMP PIPES.....	0634 00
REPLACE REAR BILGE PUMP AND STRAINER.....	0635 00
STENCILS (M113A3 ONLY).....	0636 00
STENCILS (M577A3 ONLY).....	0637 00
STENCILS (M901A3 ONLY).....	0638 00
STENCILS (M981A3 ONLY).....	0639 00
STENCILS (M1059A3 ONLY).....	0640 00
STENCILS (M1064A3 ONLY).....	0641 00
STENCILS (M1068A3 ONLY).....	0642 00
STENCILS (M58 ONLY).....	0643 00
DATAPLATES, DECALS, AND MARKERS (ALL MODELS).....	0644 00
DATAPLATES, DECALS, AND MARKERS (M113A3, M901A3, M981A3, M1059A3 ONLY).....	0645 00
DATAPLATES, DECALS, AND MARKERS (M113A3, M901A3, M1059A3, M58 ONLY).....	0646 00

TABLE OF CONTENTS (cont)

	<u>WP Sequence No.</u>
DATAPLATES, DECALS, AND MARKERS (M113A3, M1059A3 ONLY).....	0647 00
DATAPLATES, DECALS, AND MARKERS (M577A3, M1068A3 ONLY).....	0648 00
DATAPLATES, DECALS, AND MARKERS (M901A3 ONLY).....	0649 00
DATAPLATES, DECALS, AND MARKERS (M981A3 ONLY).....	0650 00
DATAPLATES, DECALS, AND MARKERS (M1059A3 ONLY).....	0651 00
DATAPLATES, DECALS, AND MARKERS (M1064A3 ONLY).....	0652 00
DATAPLATES, DECALS, AND MARKERS (M58 ONLY).....	0653 00
REPLACE DATAPLATES, STENCILS, MARKERS, AND DECALS.....	0654 00
 CHAPTER 19 — UNIT MAINTENANCE INSTRUCTIONS FOR HYDRAULIC SYSTEM	
REPLACE RAMP HYDRAULIC PUMP.....	0655 00
REPLACE RAMP CYLINDER.....	0656 00
REPLACE WIRE ROPE AND PULLEYS (ALL EXCEPT M1064A3).....	0657 00
REPLACE WIRE ROPE AND PULLEYS (M1064A3 ONLY).....	0658 00
REPLACE RAMP CONTROL VALVE (WITH EXTERNAL RELIEF VALVE) AND FITTINGS.....	0659 00
REPLACE RAMP CONTROL VALVE, EXTERNAL RELIEF VALVE, AND FITTINGS WITH RAMP CONTROL VALVE (INTERNAL RELIEF VALVE).....	0660 00
REPLACE RAMP CONTROL VALVE (WITH INTERNAL RELIEF VALVE) AND FITTINGS.....	0661 00
REPLACE SAFETY RELIEF VALVE, TUBE, HOSE, AND FITTINGS.....	0662 00
REPLACE RAMP CONTROL VALVE HOSE AND ELBOW.....	0663 00
REPLACE TUBE FROM RAMP CONTROL VALVE TO BULKHEAD.....	0664 00
REPLACE HOSE FROM BULKHEAD CONNECTION TO RAMP CYLINDER.....	0665 00
REPLACE RAMP CYLINDER BREATHER HOSE (ALL EXCEPT M1064A3).....	0666 00
REPLACE RAMP CYLINDER BREATHER HOSE (M1064A3 ONLY).....	0667 00
REPLACE POWER PLANT HYDRAULIC HOSES.....	0668 00
SERVICE HYDRAULIC RESERVOIR.....	0669 00
SERVICE HYDRAULIC RESERVOIR BREATHER.....	0670 00
REPLACE HYDRAULIC RESERVOIR.....	0671 00
REPAIR HYDRAULIC RESERVOIR.....	0672 00
 CHAPTER 20 — UNIT MAINTENANCE INSTRUCTIONS FOR TOOLS AND TEST EQUIPMENT	
INSPECT POWER PLANT SLING.....	0673 00
 CHAPTER 21 — UNIT MAINTENANCE INSTRUCTIONS FOR AUXILIARY GENERATOR	
REPLACE GENERATOR SET ENCLOSURE (M577A3 AND M1068A3 ONLY).....	0674 00
REPLACE 5.0 KW AUXILIARY POWER UNIT (M577A3 AND M1068A3 ONLY).....	0675 00
REPLACE AUXILIARY POWER UNIT FUEL SHUTOFF VALVE (M577A3 AND M1068A3 ONLY).....	0676 00
REPLACE AUXILIARY POWER UNIT VALVE-TO-BULKHEAD FUEL SUPPLY HOSES (M577A3 AND M1068A3 ONLY).....	0677 00

TABLE OF CONTENTS (cont)

WP Sequence No.

REPLACE AUXILIARY POWER UNIT BULKHEAD-TO-HULL FUEL SUPPLY HOSES (M577A3 AND M1068A3 ONLY).....	0678 00
CHAPTER 22 — UNIT MAINTENANCE INSTRUCTIONS FOR SPECIAL PURPOSE KITS	
BLEED AIR FROM PERSONNEL HEATER FUEL LINES.....	0679 00
SERVICE PERSONNEL HEATER FUEL FILTER.....	0680 00
SERVICE PERSONNEL HEATER FUEL PUMP.....	0681 00
REPLACE HEATER AIR INTAKE AND EXHAUST PIPES (ALL EXCEPT M1064A3).....	0682 00
REPLACE HEATER AIR INTAKE AND EXHAUST PIPES(M1064A3 ONLY).....	0683 00
REPLACE FUEL SHUT-OFF VALVE ASSEMBLY (M113A3, M981A3, M1059A3, AND M58 ONLY).....	0684 00
REPLACE HEATER/FILTER FUEL SUPPLY HOSES (M113A3, M981A3, M1059A3, AND M58 ONLY).....	0685 00
REPLACE PERSONNEL HEATER FUEL TUBE (ALL EXCEPT M1064A3).....	0686 00
REPLACE BULKHEAD CONNECTION TO PERSONNEL HEATER TUBE (M577A3 AND M1068A3 ONLY).....	0687 00
REPLACE PERSONNEL HEATER FUEL FILTER, HOSES, AND FITTINGS (M1064A3 ONLY).....	0688 00
REPLACE PERSONNEL HEATER FUEL PUMP HOSE (M113A3, M981A3, M1059A3, AND M58 ONLY).....	0689 00
REPLACE FUEL TANK TO FUEL PUMP HOSE (M577A3 AND M1068A3 ONLY).....	0690 00
REPLACE FUEL PUMP TO BULKHEAD CONNECTION HOSE (M113A3, M981A3, M1059A3, AND M58 ONLY).....	0691 00
REPLACE FUEL PUMP TO BULKHEAD CONNECTION HOSE (M577A3 AND M1068A3 ONLY).....	0692 00
REPLACE PERSONNEL HEATER FUEL PUMP TO BULKHEAD CONNECTION HOSE (M901A3 ONLY).....	0693 00
REPLACE FUEL PUMP HOSE TO HEATER FUEL SHUTOFF VALVE (M901A3 AND M1064A3 ONLY).....	0694 00
REPLACE PERSONNEL HEATER FUEL PUMP (M113A3, M1059A3, AND M58 ONLY).....	0695 00
REPLACE PERSONNEL HEATER FUEL PUMP (M577A3 AND M1068A3 ONLY).....	0696 00
REPLACE HEATER FUEL PUMP (M1064A3 ONLY).....	0697 00
REPLACE PERSONNEL HEATER FUEL FILTER/BRACKET (M113A3, M1059A3, AND M58 ONLY).....	0698 00
REPLACE PERSONNEL HEATER FUEL FILTER/BRACKET (M981A3 ONLY).....	0699 00
REPLACE PERSONNEL HEATER FUEL FILTER, HOSE, TUBE, AND FITTINGS (M577A3, M901A3, AND M1068A3 ONLY).....	0700 00
REPLACE PERSONNEL HEATER CONTROL BOX.....	0701 00
REPAIR PERSONNEL HEATER CONTROL BOX.....	0702 00
REPLACE PERSONNEL HEATER ASSEMBLY (ALL EXCEPT M1064A3).....	0703 00
REPLACE PERSONNEL HEATER ASSEMBLY (M1064A3 ONLY).....	0704 00
REPAIR PERSONNEL HEATER ASSEMBLY.....	0705 00
REPLACE PERSONNEL HEATER DUCT AND HOSES.....	0706 00

TABLE OF CONTENTS (cont)

	<u>WP Sequence No.</u>
REPAIR PERSONNEL HEATER DUCT.....	0707 00
SERVICE COOLANT HEATER FUEL FILTER.....	0708 00
SERVICE COOLANT HEATER FUEL PUMP.....	0709 00
DRAIN AND FILL ENGINE COOLANT HEATER SYSTEM.....	0710 00
REPLACE COOLANT HEATER FUEL PUMP HOSE.....	0711 00
REPLACE COOLANT HEATER FUEL INLET HOSE AND FITTINGS.....	0712 00
REPLACE COOLANT PUMP TO BATTERY BOX HOSES.....	0713 00
REPLACE ENGINE TO BATTERY BOX HOSE.....	0714 00
REPLACE COOLANT HEATER TO ENGINE ELBOW HOSE.....	0715 00
REPLACE COOLANT HEATER FILTER VALVE HOSE.....	0716 00
REPLACE ENGINE BLOCK FITTING AND HARDWARE.....	0717 00
REPLACE BATTERY BOX INSULATION AND HEAT EXCHANGER.....	0718 00
REPLACE BATTERY DRAWER INSULATION AND HEAT EXCHANGER (M1064A3 ONLY).....	0719 00
REPLACE COOLANT HEATER FUEL SHUTOFF VALVE.....	0720 00
REPLACE FUEL PUMP TEE TO ELBOW HOSE.....	0721 00
REPLACE BATTERY PLATE TO BATTERY PLATE HOSE.....	0722 00
REPLACE COOLANT HEATER FUEL PUMP.....	0723 00
REPLACE COOLANT HEATER EXHAUST ELBOW AND PIPES.....	0724 00
REPLACE HEATER TO SURGE TANK HOSE.....	0725 00
REPLACE FUEL FILTER.....	0726 00
ADJUST FLAME DETECTOR SWITCH.....	0727 00
REPLACE COOLANT HEATER AND PUMP UNIT.....	0728 00
REPLACE COOLANT HEATER.....	0729 00
REPLACE IGNITER.....	0730 00
REPLACE COOLANT HEATER PUMP.....	0731 00
REPLACE COOLANT HEATER AND COOLANT PUMP BRACKET.....	0732 00
REPLACE COOLANT PUMP TO HEATER WIRING HARNESS.....	0733 00
REPLACE FLAME DETECTOR SWITCH.....	0734 00
REPLACE COOLANT HEATER WIRING HARNESS.....	0735 00
REPLACE COOLANT HEATER CONTROL BOX.....	0736 00
REPAIR COOLANT HEATER CONTROL BOX.....	0737 00
REPLACE NON-SKID PLATES (M1064A3 ONLY).....	0738 00
REPLACE DRIVER'S WINDSHIELD.....	0739 00
REPLACE DRIVER'S WINDSHIELD STOWAGE BAG, STRAPS, AND DECAL.....	0740 00
INITIAL INSTALLATION OF LITTER KIT (M113A3 ONLY).....	0741 00
REPLACE POST ASSEMBLY (M113A3 ONLY).....	0742 00
REPAIR POST ASSEMBLY (M113A3 ONLY).....	0743 00
REPLACE CHAIN ASSEMBLY (M113A3 ONLY).....	0744 00
REPAIR CHAIN ASSEMBLY (M113A3 ONLY).....	0745 00
REPLACE ARTILLERY COMMUNICATION INSIDE CABLE (M577A3 ONLY).....	0746 00

TABLE OF CONTENTS (cont)

	<u>WP Sequence No.</u>
REPLACE COMMANDER'S CUPOLA ARMOR SHIELDS (M113A3 AND M1064A3 ONLY).....	0747 00
INSTALL ARMOR KIT (M113A3 ONLY).....	0748 00
REPLACE FRONT ARMOR (M113A3 ONLY).....	0749 00
REPLACE SIDE ARMOR/STOWAGE BOX (M113A3 ONLY).....	0750 00
REPLACE REAR ARMOR (M113A3 ONLY).....	0751 00
INSTALL/REMOVE MINE ARMOR KIT (M113A3 ONLY).....	0752 00
REPLACE FOG OIL TANK MODULE (M1059A3 ONLY).....	0753 00
REPLACE SMOKE GENERATOR BREATHER HOSE ASSEMBLY (M1059A3 ONLY).....	0754 00
REPLACE SMOKE GENERATOR ASSEMBLY AND SUPPORT BRACKET (M1059A3 ONLY).....	0755 00
REPLACE SMOKE GENERATOR CONTROL PANEL ASSEMBLY (M1059A3 ONLY).....	0756 00
REPLACE SMOKE GENERATOR SYSTEM POWER SUPPLY CABLE ASSEMBLY (M1059A3 ONLY).....	0757 00
REPLACE AIR COMPRESSOR ELECTRICAL CABLE ASSEMBLY (M1059A3 ONLY).....	0758 00
REPLACE FOG OIL PUMP ELECTRICAL CABLE ASSEMBLY.....	0759 00
REPLACE SMOKE GENERATOR INTERNAL CABLE ASSEMBLY (M1059A3 ONLY).....	0760 00
REPLACE ADAPTER ACCESS PLATE TO GENERATOR ELECTRICAL CABLE ASSEMBLY (M1059A3 ONLY).....	0761 00
REPLACE AIR COMPRESSOR ASSEMBLY (M1059A3 ONLY).....	0762 00
REPLACE FOG OIL PUMP ASSEMBLY (M1059A3 ONLY).....	0763 00
REPLACE SMOKE GENERATOR FUEL CAN LID ASSEMBLY (M1059A3 ONLY).....	0764 00
REPLACE SMOKE GENERATOR FUEL LINES AND GUARDS (M1059A3 ONLY).....	0765 00
REPLACE SMOKE GENERATOR ADAPTER ACCESS PLATE AND GASKET (M1059A3 ONLY).....	0766 00
REPLACE SMOKE GENERATOR COMPRESSOR RESERVOIR TO ADAPTER ACCESS PLATE AIR HOSE (M1059A3 ONLY).....	0767 00
REPLACE SMOKE GENERATOR ADAPTER ACCESS PLATE TO COVER ASSEMBLY AIR HOSE (M1059A3 ONLY).....	0768 00
REPLACE FOG OIL TANK QUICK DISCONNECT TO ADAPTER ACCESS PLATE HOSE (M1059A3 ONLY).....	0769 00
REPLACE COVER ASSEMBLY FOG OIL QUICK DISCONNECT TO ADAPTER ACCESS PLATE HOSE (M1059A3 ONLY).....	0770 00
REPLACE SMOKE GENERATOR ARMOR (M1059A3 ONLY).....	0771 00
REPLACE SMOKE GENERATOR GLOW PLUG CABLE ASSEMBLIES (M1059A3 ONLY).....	0772 00
REPLACE/REPAIR SMOKE GENERATOR FUEL FILTER/WATER SEPARATOR (M1059A3 ONLY).....	0773 00
REPLACE M14 AIR PURIFIER AND FRAME (M113A3 ONLY).....	0774 00
REPLACE NBC AIR PURIFIER AND FRAME (M113A3 ONLY).....	0775 00
REPLACE M8A3/M13 AIR PURIFIER AND FRAME (M577A3 ONLY).....	0776 00
REPLACE M8A3 NBC AIR PURIFIER AND FRAME (M1059A3 ONLY).....	0777 00

TABLE OF CONTENTS (cont)

	<u>WP Sequence No.</u>
REPLACE M8A3 AIR PURIFIER AND FRAME (M1059A3 ONLY).....	0778 00
REPLACE M13 AIR PURIFIER AND FRAME (M1068A3 ONLY).....	0779 00
REPLACE M8A3/M14 ORIFICE CONNECTOR ASSEMBLY, SUPPORT, AND QUICK COUPLING HALF (M113A3, M1059A3, AND M577A3 ONLY).....	0780 00
REPLACE M13 ORIFICE CONNECTOR ASSEMBLY, BRACKET, AND QUICK COUPLING HALF (M1068A3 ONLY).....	0781 00
REPLACE M3 NBC HEATER HOSES AND FITTINGS (M113A3 ONLY).....	0782 00
REPLACE M14 NBC HOSES AND BRACKETS (M113A3 AMBULANCE ONLY).....	0783 00
REPLACE M3 NBC HEATER HOSES AND FITTINGS (M113A3 AMBULANCE ONLY).....	0784 00
REPLACE M8A3 NBC HOSES AND BRACKETS (M577A3 ONLY).....	0785 00
REPLACE M13 NBC FILTERS AND HOSES (M577A3 ONLY).....	0786 00
REPLACE M8A3 NBC HOSES AND BRACKETS (M1059A3 ONLY).....	0787 00
REPLACE M3 NBC HOSES AND FITTINGS (M1059A3 ONLY).....	0788 00
REPLACE M13 NBC FILTERS AND HOSES (M1068A3 ONLY).....	0789 00
REPLACE M13 NBC HEATER HOSES (M1068A3 ONLY).....	0790 00
REPLACE M3 NBC HEATER CONTROL BOX, REGULATOR, AND BRACKET (M113A3 ONLY).....	0791 00
REPLACE M3 NBC HEATER CONTROL BOX (M577A3 ONLY).....	0792 00
REPLACE M3 NBC HEATER CONTROL BOX (M1068A3 ONLY).....	0793 00
REPLACE M3 NBC HEATERS AND CONTROLLERS (M113A3 ONLY).....	0794 00
REPLACE M3 NBC HEATERS AND CONTROLLERS (M113A3 AMBULANCES ONLY).....	0795 00
REPLACE M13 NBC HEATERS AND MOUNTS (M577A3 ONLY).....	0796 00
REPLACE M3 NBC HEATERS AND CONTROLLERS (M1059A3 ONLY).....	0797 00
REPLACE M13 NBC HEATERS (M1068A3 ONLY).....	0798 00
REPLACE M14 NBC CABLES AND SWITCH ASSEMBLY (M1059A3 ONLY).....	0799 00
REPLACE NBC CABLE TO HEATERS, AIR PURIFIER, AND SWITCH ASSEMBLY (M113A3 ONLY).....	0800 00
REPLACE M8A3 NBC CABLES, SWITCH ASSEMBLY, AND BRACKETS (M577A3 ONLY).....	0801 00
REPLACE NBC FILTER SWITCH ASSEMBLY (M113A3 AND M113A3 AMBULANCE ONLY).....	0802 00
REPLACE M13 NBC FILTER SWITCH AND MOUNT BRACKET (M577A3 ONLY).....	0803 00
REPLACE M8A3/M3 NBC FILTER SWITCH ASSEMBLY (M1059A3 ONLY).....	0804 00
REPLACE M13 NBC FILTER SWITCH (M1068A3 ONLY).....	0805 00
REPLACE M3 NBC HEATER WIRING HARNESS (M1059A3 ONLY).....	0806 00
REPLACE M14 NBC HEATER WIRING HARNESS (M113A3 AMBULANCE ONLY).....	0807 00
REPLACE M13 NBC HEATER WIRING HARNESS (M577A3 ONLY).....	0808 00
REPLACE M13 NBC HEATER WIRING HARNESS (M1068A3 ONLY).....	0809 00
REPLACE WATER/RATION HEATER POWER CABLE (M113A3 ONLY).....	0810 00
REPLACE WATER/RATION HEATER MOUNT BRACKET (M113A3 ONLY).....	0811 00

TABLE OF CONTENTS (cont)

WP Sequence No.

CHAPTER 23 — UNIT MAINTENANCE INSTRUCTIONS FOR SIGHTING MATERIEL
(M901A3 AND M981A3 ONLY)

SIGHTING MATERIEL (M901A3 AND M981A3).....0812 00

Volume 6

CHAPTER 24 — UNIT MAINTENANCE INSTRUCTIONS FOR ELECTRICAL EQUIPMENT
(M1068A3 ONLY)

REPLACE APIU RACK MOUNT AND BRACKET (M1068A3 ONLY).....0813 00

REPLACE RIGHT EQUIPMENT RACK BRACKETS AND MOUNTS (M1068A3 ONLY).....0814 00

REPLACE A.C. POWER EXTENSION BOX A7 (M1068A3 ONLY).....0815 00

REPLACE SIGNAL PATCH PANEL BOX A10 (M1068A3 ONLY).....0816 00

REPLACE EXTERNAL COMMUNICATION BOX A11 (M1068A3 ONLY).....0817 00

REPLACE EXTERNAL COMMUNICATION BOX A11 LID AND LATCHES (M1068A3 ONLY).....0818 00

REPLACE CURBSIDE DATA PANEL ASSEMBLY A12 (M1068A3 ONLY).....0819 00

REPLACE LAN GROUND BOX ASSEMBLY A15 (M1068A3 ONLY).....0820 00

REPAIR LAN GROUND BOX ASSEMBLY A15 (M1068A3 ONLY).....0821 00

REPLACE A.C. POWER EXTENSION BOX A19 (M1068A3 ONLY).....0822 00

REPLACE/REPAIR PRINTER MOUNT (M1068A3 ONLY).....0823 00

REPLACE/REPAIR POWER SUPPLY STORAGE BOX ASSEMBLY (M1068A3 ONLY).....0824 00

REPLACE FLUORESCENT LIGHT ASSEMBLIES (M1068A3 ONLY).....0825 00

REPLACE POWER CONTROL ENCLOSURE ASSEMBLY A1 (M1068A3 ONLY).....0826 00

REPLACE POWER CONTROL ENCLOSURE AC AND DC METERS AND LIGHT INDICATORS (M1068A3 ONLY).....0827 00

REPAIR POWER CONTROL ENCLOSURE FACEPLATE AND BRACKET (M1068A3 ONLY).....0828 00

REPLACE POWER CONTROL ENCLOSURE CIRCUIT 44A LEAD (M1068A3 ONLY).....0829 00

REPLACE INVERTER HOUSING A2 TERMINAL BLOCKS TB1 AND TB2 (M1068A3 ONLY).....0830 00

REPLACE/REPAIR POWER DISTRIBUTION BOX A3 (M1068A3 ONLY).....0831 00

REPLACE POWER ENTRY BOX ASSEMBLY A4 (M1068A3 ONLY).....0832 00

REPLACE TENT INTERFACE PANEL BOX ASSEMBLY A5 (M1068A3 ONLY).....0833 00

REPLACE AC POWER EXTENSION BOX A6 AND DC POWER EXTENSION BOX A9 AND MOUNT (M1068A3 ONLY).....0834 00

REPLACE ROADSIDE DATA PANEL ASSEMBLY A13 AND BRACKET (M1068A3 ONLY).....0835 00

REPLACE POWER EXTENSION BOX A18 AND BRACKET (M1068A3 ONLY).....0836 00

REPLACE POWER DISTRIBUTION CABLE (W3) (M1068A3 ONLY).....0837 00

REPLACE DC BATTERY CABLE (W4) (M1068A3 ONLY).....0838 00

REPLACE/REPAIR INVERTER AC CABLE (W5) (M1068A3 ONLY).....0839 00

TABLE OF CONTENTS (cont)

	<u>WP Sequence No.</u>
REPLACE INVERTER DC CABLE (W6) (M1068A3 ONLY).....	0840 00
REPAIR CABLE ASSEMBLY (W4/W6) (M1068A3 ONLY).....	0841 00
REPLACE AC POWER EXTENSION CABLE (W7) (M1068A3 ONLY).....	0842 00
REPLACE AC POWER EXTENSION CABLE (W8) (M1068A3 ONLY).....	0843 00
REPLACE DC POWER EXTENSION CABLE (W10) (M1068A3 ONLY).....	0844 00
REPLACE AC LIGHT CABLE (W11) (M1068A3 ONLY).....	0845 00
REPLACE GROUND STRAP (W12) (M1068A3 ONLY).....	0846 00
REPLACE CASCADE REMOTE HARNESS (M1068A3 ONLY).....	0847 00
REPLACE HARNESS W32 (M1068A3 ONLY).....	0848 00
REPLACE CABLE W35, CABLE W28, AND CABLE ADAPTER (M1068A3 ONLY).....	0849 00
REPLACE CABLE W38, CABLE W29, AND CABLE ADAPTER (M1068A3 ONLY).....	0850 00
REPLACE SINGLE POINT LAN CABLE (W40) (M1068A3 ONLY).....	0851 00
REPLACE CABLES W42, W43, AND W251 (M1068A3 ONLY).....	0852 00
REPLACE CABLE W45 (M1068A3 ONLY).....	0853 00
REPLACE LAN A OR B CABLE (W103/W104) (M1068A3 ONLY).....	0854 00
REPLACE CABLE W124 (M1068A3 ONLY).....	0855 00
REPLACE CABLE W126 (M1068A3 ONLY).....	0856 00
REPLACE AC CABLE ASSEMBLY (W252) (M1068A3 ONLY).....	0857 00
 CHAPTER 25 — UNIT MAINTENANCE INSTRUCTIONS FOR GAUGES	
SERVICE SPEEDOMETER/TACHOMETER CABLE FLEXIBLE CORE.....	0858 00
REPLACE SPEEDOMETER.....	0859 00
REPLACE SPEEDOMETER CABLE AND ADAPTER.....	0860 00
REPAIR SPEEDOMETER CABLE.....	0861 00
REPLACE TACHOMETER.....	0862 00
REPLACE TACHOMETER ENGINE ADAPTER.....	0863 00
REPLACE TACHOMETER CABLE.....	0864 00
REPAIR TACHOMETER CABLE.....	0865 00
 CHAPTER 26 — UNIT MAINTENANCE INSTRUCTIONS FOR VENTILATING FANS AND BLOWERS (M901A3 AND M981A3 ONLY)	
REPLACE VENTILATING FAN ASSEMBLY (M901A3 AND M981A3 ONLY).....	0866 00
 CHAPTER 27 — UNIT MAINTENANCE INSTRUCTIONS FOR PRECISION INSTRUMENTS AND SYSTEMS	
REPLACE STE/ICE PULSE TACHOMETER.....	0867 00
REPLACE STE/ICE SHUNT GUARD (M113A3, M901A3, AND M1059A3 ONLY).....	0868 00
REPLACE STE/ICE SHUNT GUARD (M981A3 ONLY).....	0869 00
REPLACE STE/ICE SHUNT (M113A3, M901A3, AND M1059A3 ONLY).....	0870 00
REPLACE STE/ICE SHUNT (M577A3 AND M1068A3 ONLY).....	0871 00
REPLACE STE/ICE SHUNT (M981A3 ONLY).....	0872 00
REPLACE STE/ICE SHUNT (M1064A3 ONLY).....	0873 00

TABLE OF CONTENTS (cont)

WP Sequence No.

REPLACE STE/ICE DISTRIBUTION BOX (M113A3, M901A3, AND M1059A3 ONLY).....	0874 00
REPLACE STE/ICE DISTRIBUTION BOX (M577A3 AND M1068A3 ONLY).....	0875 00
REPLACE STE/ICE DISTRIBUTION BOX (M981A3 ONLY).....	0876 00
REPLACE STE/ICE DISTRIBUTION BOX (M1064A3 ONLY).....	0877 00
REPLACE STE/ICE CREW WIRING HARNESS (M113A3, M901A3, AND M1059A3 ONLY).....	0878 00
REPLACE STE/ICE CREW WIRING HARNESS (M577A3 AND M1068A3 ONLY).....	0879 00
REPLACE STE/ICE CREW WIRING HARNESS (M981A3 ONLY).....	0880 00
REPLACE STE/ICE CREW WIRING HARNESS (M1064A3 ONLY).....	0881 00
REPLACE STE/ICE ENGINE WIRING HARNESS.....	0882 00
 CHAPTER 28 — UNIT MAINTENANCE INSTRUCTIONS FOR COMMUNICATION SYSTEM (M901A3 AND M58 ONLY)	
COMMUNICATION CABLING DIAGRAM (M901A3 ONLY).....	0883 00
COMMUNICATION CABLING DIAGRAM (M58 ONLY).....	0884 00
REPLACE INTERCOMMUNICATIONS SET CONTROL (M901A3 AND M58 ONLY).....	0885 00
REPLACE ANTENNA (M901A3 ONLY).....	0886 00
REPLACE AS3916/VRC ANTENNA (M58 ONLY).....	0887 00
REPLACE INTERCOM AMPLIFIER (M901A3 AND M58 ONLY).....	0888 00
REPLACE TRANSIENT SUPPRESSOR (M901A3 ONLY).....	0889 00
REPLACE RADIO SET AND MOUNT (M901A3 ONLY)	0890 00
REPLACE RADIO RACK (M58 ONLY).....	0891 00
REPLACE DRIVER’S INTERCOMMUNICATION SET CABLE (M58 ONLY).....	0892 00
REPLACE COMMANDER’S INTERCOMMUNICATION SET CABLE (M58 ONLY).....	0893 00
REPLACE OPERATOR’S INTERCOMMUNICATION SET CABLE (M58 ONLY).....	0894 00
 CHAPTER 29 — UNIT MAINTENANCE INSTRUCTIONS FOR FIRE FIGHTING EQUIPMENT	
REPLACE PORTABLE FIRE EXTINGUISHER MOUNT (ALL EXCEPT M1068A3).....	0895 00
REPLACE FIRE EXTINGUISHER AND MOUNT (M1059A3 ONLY).....	0896 00
REPLACE/REPAIR PORTABLE FIRE EXTINGUISHER MOUNT (M1068A3 ONLY).....	0897 00
REPLACE FIXED FIRE EXTINGUISHER CYLINDER AND MOUNT.....	0898 00
REPLACE CYLINDER DISCHARGE TUBES.....	0899 00
REPLACE TURBINE CYLINDER DISCHARGE TUBES (M58 ONLY).....	0900 00
REPLACE EXTERNAL HANDLE SHIELD (M113A3, M901A3, M981A3, AND M1059A3 ONLY).....	0901 00
REPLACE EXTERNAL HANDLE SHIELD (M577A3 AND M1068A3 ONLY).....	0902 00
REPLACE EXTERNAL HANDLE SHIELD (M1064A3 ONLY).....	0903 00
REPLACE FIRE EXTINGUISHER CONTROL VALVE AND EXTERNAL HANDLE.....	0904 00
REPLACE EXTERNAL CABLE TUBE.....	0905 00
 CHAPTER 30 — UNIT MAINTENANCE INSTRUCTIONS FOR NUCLEAR, BIOLOGICAL, AND CHEMICAL (NBC) EQUIPMENT	

TABLE OF CONTENTS (cont)

	<u>WP Sequence No.</u>
REPLACE M25/M25A1 VFM GAS FILTER (M981A3 ONLY).....	0906 00
REPLACE M25/M25A1 HOSE ASSEMBLY (M981A3 ONLY).....	0907 00
REPLACE M25/M25A1 VFM ORIFICE CONNECTOR ASSEMBLY (M981A3 ONLY)	0908 00
REPLACE PRECLEANER/PARTICULATE FILTER ASSEMBLY (M981A3 ONLY).....	0909 00
REPLACE VFM COUPLING (M981A3 ONLY).....	0910 00
REPLACE M25/M25A1 VFM HEATER (M981A3 ONLY).....	0911 00
REPLACE M25/M25A1 VFM HEATER BRACKETS (M981A3 ONLY).....	0912 00
REPLACE/REPAIR VFM POWER DISTRIBUTION PANEL ASSEMBLY (M981A3 ONLY).....	0913 00
REPLACE NBC AIR PURIFIER AND FRAME (M58 ONLY).....	0914 00
REMOVE/INSTALL NBC HOSE ASSEMBLIES (M58 ONLY).....	0915 00
REPLACE NBC ORIFICE CONNECTOR ASSEMBLY, MOUNTING BRACKET, AND SWITCH (M58 ONLY).....	0916 00
REMOVE/INSTALL NBC CABLE ASSEMBLY (M58 ONLY).....	0917 00
INSTALL/REMOVE CHEMICAL AGENT AUTOMATIC ALARM KIT (M113A3 ONLY).....	0918 00
REPLACE CHEMICAL ALARM JUNCTION BOX/POWER CABLE/ALARM CABLE (M113A3 ONLY).....	0919 00
REPAIR CHEMICAL ALARM JUNCTION BOX (M113A3 ONLY).....	0920 00
REPLACE/REPAIR CHEMICAL ALARM SPARE BATTERY BRACKET (M113A3 ONLY).....	0921 00
REPLACE CHEMICAL ALARM REFILL TRAY BRACKET (M113A3 ONLY).....	0922 00
REPLACE CHEMICAL ALARM M43 UNIT INTERFACE WIRING HARNESSSES (M113A3 ONLY).....	0923 00
 CHAPTER 31 — UNIT SUPPORTING INFORMATION	
REFERENCES.....	0924 00
MAINTENANCE ALLOCATION CHART (MAC).....	0925 00
COMMON TOOLS AND SUPPLEMENTS AND SPECIAL TOOLS/FIXTURES LIST.....	0926 00
FABRICATED TOOLS.....	0927 00
EXPENDABLE/DURABLE SUPPLIES AND MATERIALS LIST.....	0928 00

CHAPTER 18

UNIT MAINTENANCE INSTRUCTIONS
FOR HULL ACCESSORY ITEMS

WORK PACKAGE INDEX

<u>Title</u>	<u>Sequence No.</u>
REPLACE TENT AND TENT CLAMPS (M577A3 ONLY).....	.0627 00
REPLACE TENT AND FRAME MOUNTS (M577A3 ONLY).....	.0628 00
REPLACE BLACKOUT CURTAIN AND FRAME (M577A3 AND M1068A3 ONLY).....	.0629 00
REPLACE/REPAIR DRIVER'S LEVEL INDICATOR (M901A3 AND M981A3 ONLY).....	.0630 00
REPLACE FRONT BILGE PUMP PIPES.....	.0631 00
REPLACE FRONT BILGE PUMP AND STRAINER.....	.0632 00
REPLACE FRONT BILGE VALVE.....	.0633 00
REPLACE REAR BILGE PUMP PIPES.....	.0634 00
REPLACE REAR BILGE PUMP AND STRAINER.....	.0635 00
STENCILS (M113A3 ONLY).....	.0636 00
STENCILS (M577A3 ONLY).....	.0637 00
STENCILS (M901A3 ONLY).....	.0638 00
STENCILS (M981A3 ONLY).....	.0639 00
STENCILS (M1059A3 ONLY).....	.0640 00
STENCILS (M1064A3 ONLY).....	.0641 00
STENCILS (M1068A3 ONLY).....	.0642 00
STENCILS (M58 ONLY).....	.0643 00
DATAPLATES, DECALS, AND MARKERS (ALL MODELS).....	.0644 00
DATAPLATES, DECALS, AND MARKERS (M113A3, M901A3, M981A3, M1059A3 ONLY).....	.0645 00
DATAPLATES, DECALS, AND MARKERS (M113A3, M901A3, M1059A3, M58 ONLY).....	.0646 00
DATAPLATES, DECALS, AND MARKERS (M113A3, M1059A3 ONLY).....	.0647 00
DATAPLATES, DECALS, AND MARKERS (M577A3, M1068A3 ONLY).....	.0648 00
DATAPLATES, DECALS, AND MARKERS (M901A3 ONLY).....	.0649 00
DATAPLATES, DECALS, AND MARKERS (M981A3 ONLY).....	.0650 00
DATAPLATES, DECALS, AND MARKERS (M1059A3 ONLY).....	.0651 00
DATAPLATES, DECALS, AND MARKERS (M1064A3 ONLY).....	.0652 00
DATAPLATES, DECALS, AND MARKERS (M58 ONLY).....	.0653 00
REPLACE DATAPLATES, STENCILS, MARKERS, AND DECALS.....	.0654 00

REPLACE TENT AND TENT CLAMPS (M577A3 ONLY)

0627 00

THIS WORK PACKAGE COVERS:

Removal (page 0627 00-1).
 Installation (page 0627 00-2).

INITIAL SETUP:

Maintenance Level

Unit

References

See your -10

Tools and Special Tools

General Mechanic's Tool Kit (WP 0926 00, Item 65)

Equipment Condition

Engine stopped (see your -10)

Materials/Parts

Spring Pin (6)

Carrier blocked (see your -10)

Ramp lowered (see your -10)

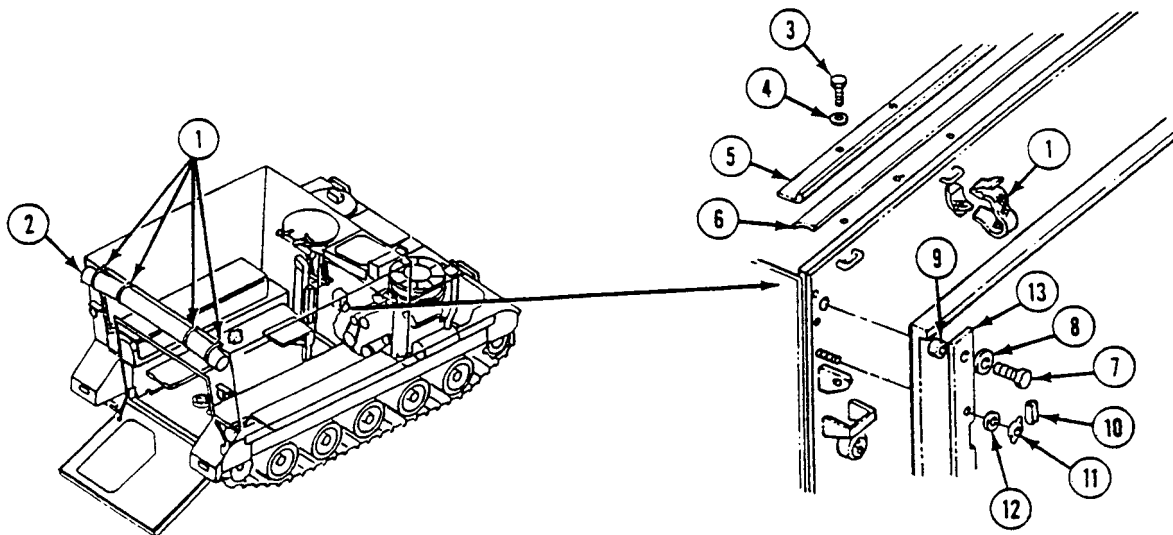
Personnel Required

Unit Mechanic

Helper

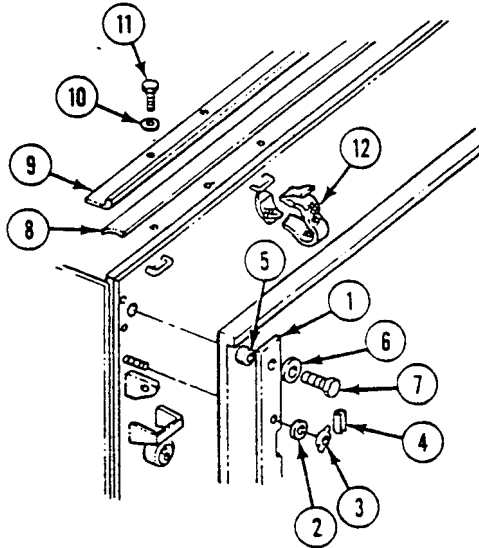
REMOVAL

1. Release four straps (1). Remove tent (2) and straps from hull top plate.
2. Remove nine screws (3), washers (4), retainer strip (5), and rubber strip (6) from hull top plate.
3. Remove two screws (7), washers (8), and spacers (9) from rear bulkhead.
4. Remove six spring pins (10), wing nuts (11), washers (12), and two retainer strips (13) from rear bulkhead. Discard spring pins.



INSTALLATION

1. Place two retainer strips (1) on rear bulkhead. Secure with six washers (2) and wing nuts (3). Secure wing nuts with six new spring pins (4).
2. Install two spacers (5), washers (6), and screws (7) in rear bulkhead.
3. Place rubber strip (8) and retainer strip (9) on hull top plate. Secure with nine washers (10) and screws (11).
4. Place tent on hull top plate. Secure with four straps (12).

**FOLLOW-THROUGH STEPS**

1. Start engine (see your -10).
2. Raise and lock ramp (see your -10).
3. Stop engine (see your -10).

END OF TASK

REPLACE TENT AND FRAME MOUNTS (M577A3 ONLY)

0628 00

THIS WORK PACKAGE COVERS:

- Removal (page 0628 00-1).
- Installation (page 0628 00-3).

INITIAL SETUP:

Maintenance Level

Unit

Personnel Required

Unit Mechanic

Tools and Special Tools

- General Mechanic's Tool Kit (WP 0926 00, Item 65)
- Torque wrench (WP 0926 00, Item 82)

References

See your -10

Materials/Parts

- Cotter Pin (2)
- Locknut (4)

Equipment Condition

- Engine stopped (see your -10)
 - Carrier blocked (see your -10)
 - Ramp lowered (see your -10)
 - Tent frame removed from carrier (see your -10)
-

REMOVAL

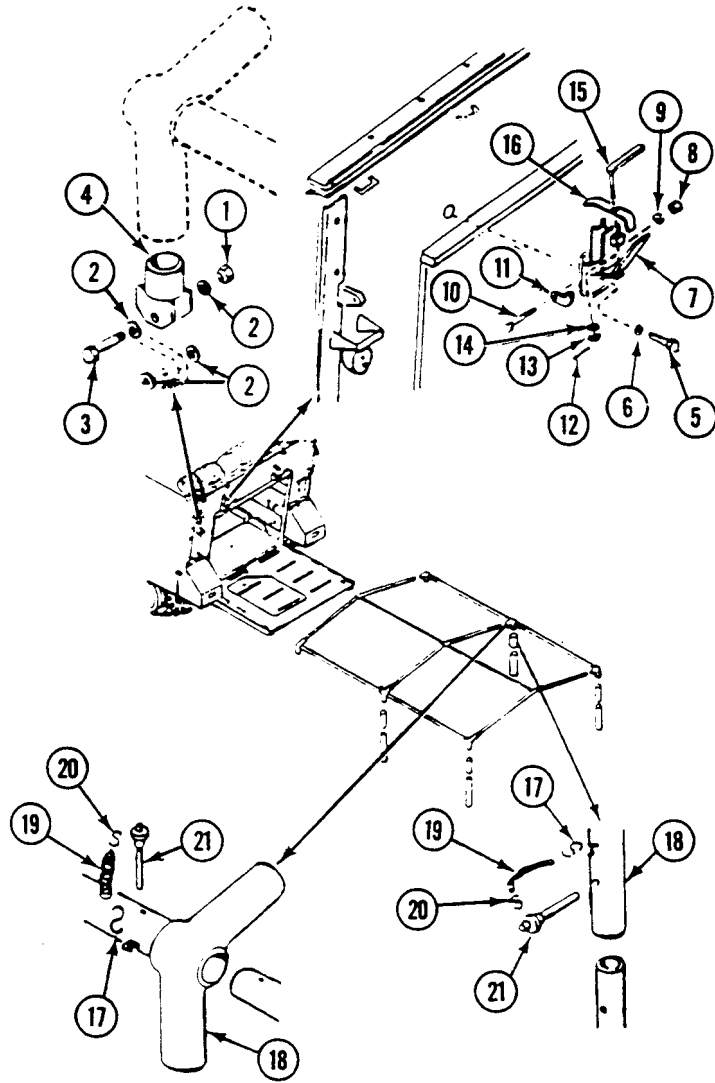
1. Remove two locknuts (1), eight washers (2), two screws (3), and two end fittings (4) from rear bulkhead lugs. Discard locknuts.
2. Remove four screws (5), washers (6), and two brackets (7) from rear bulkhead.
3. Remove two locknuts (8), washers (9), screws (10), and retainers (11) from brackets (7). Discard locknuts.
4. Remove two cotter pins (12), nuts (13), washers (14), hand screws (15), and clamps (16) from brackets (7). Discard cotter pins.

NOTE

There are six quick release pins and attaching chains on the frame assembly. Remove quick release pins and chains, as needed.

5. Open both ends of hook (17). Remove hook from bracket on frame (18) and from chain (19).

6. Open both ends of hook (20). Remove hook from chain (19) and quick release pin (21).

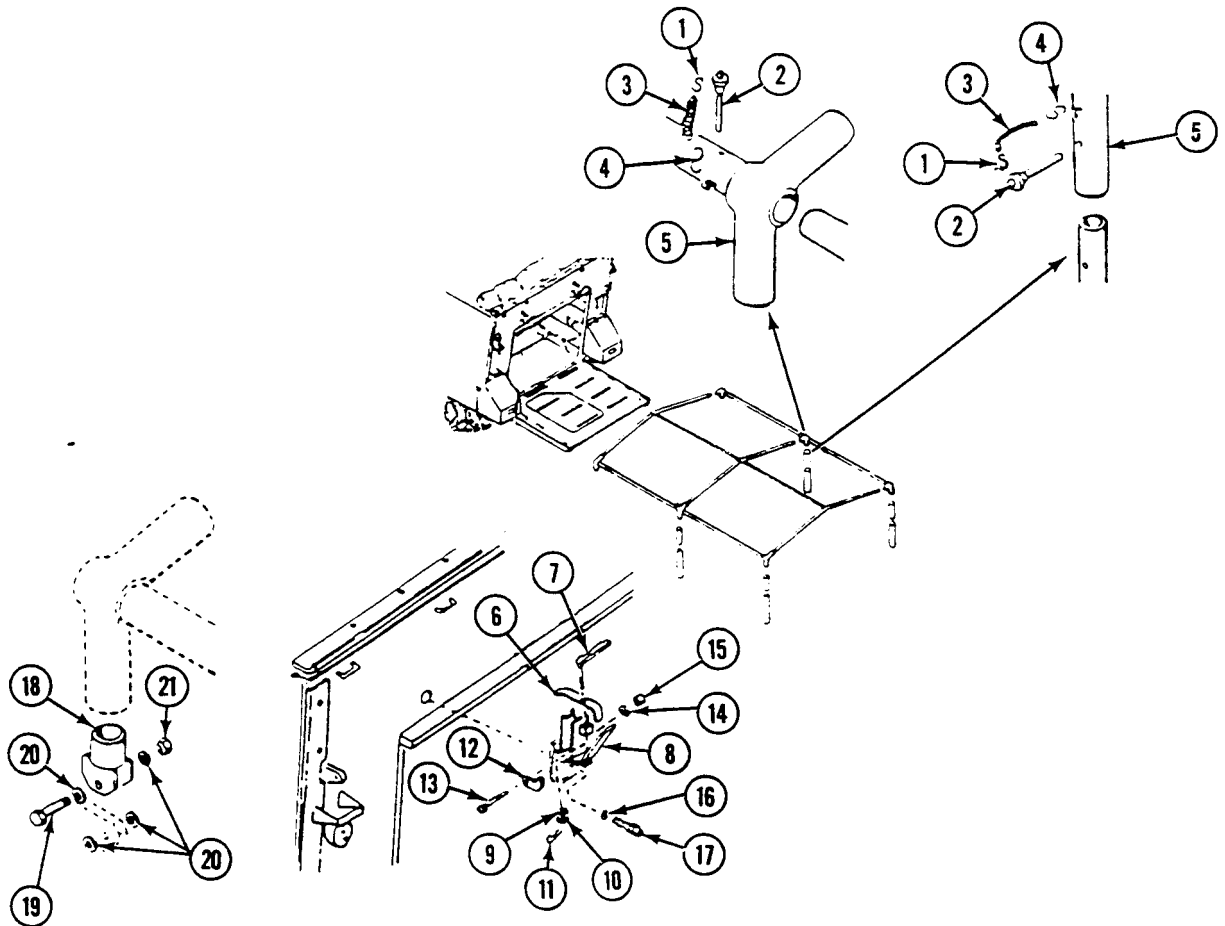


INSTALLATION

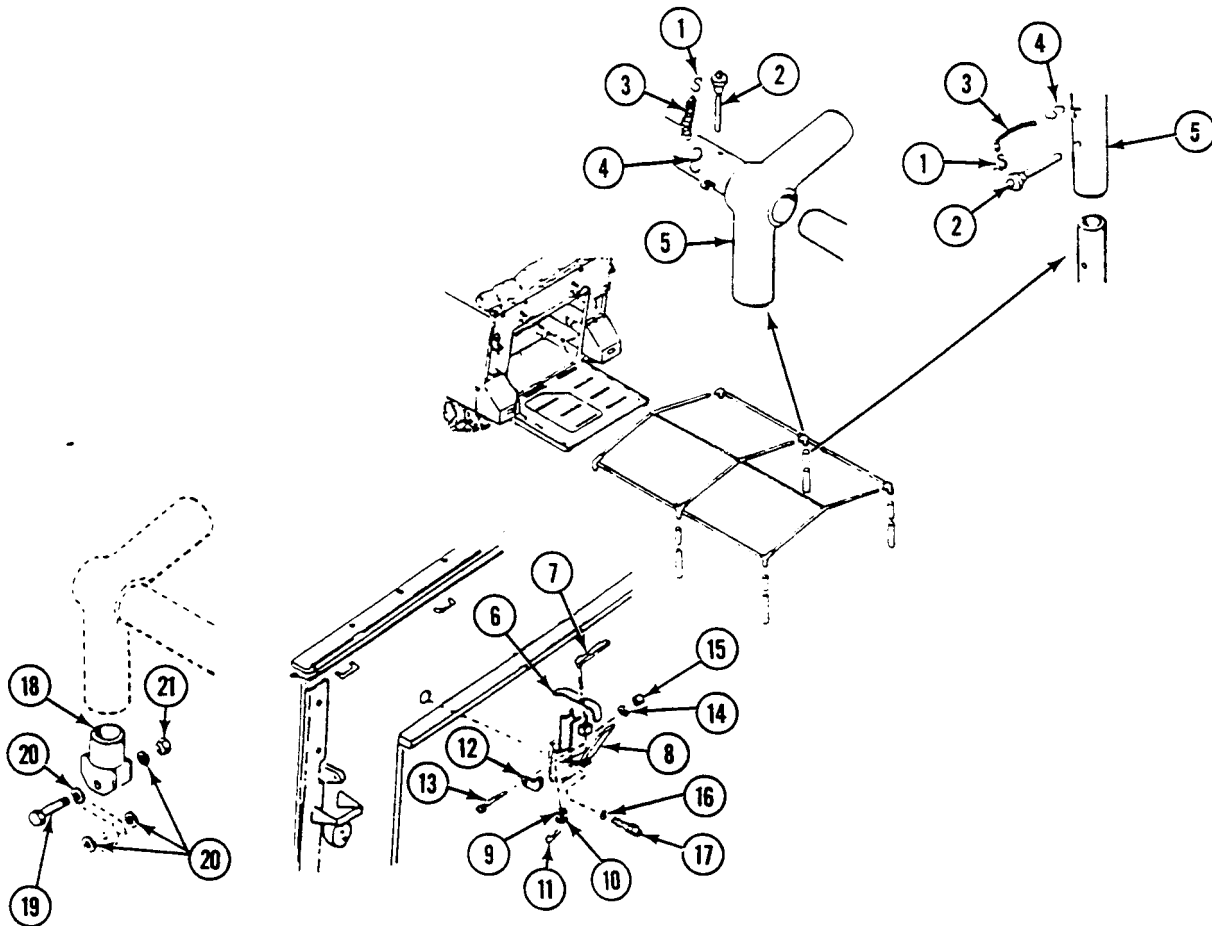
NOTE

There are six quick release pins and attaching chains on the frame assembly. Install quick release pins and chains, as needed.

1. Install hook (1) on quick release pin (2) and chain (3). Squeeze both ends of hook to secure.
2. Install hook (4) on chain (3) and bracket on frame (5). Squeeze both ends of hook to secure.
3. Install two clamps (6) and hand screws (7) on brackets (8). Secure with two washers (9), nuts (10), and new cotter pins (11).
4. Install two retainers (12) on brackets (8). Secure with two screws (13), washers (14), and new locknuts (15).



5. Align two brackets (8) on rear bulkhead. Secure with four washers (16) and screws (17). TIGHTEN SCREWS TO 60-65 LB-FT (81-88 N·m) TORQUE.
6. Align two end fittings (18) with rear bulkhead lugs. Secure with two screws (19), eight washers (20), and two new locknuts (21).



FOLLOW-THROUGH STEPS

1. Install tent frame on carrier (see your -10).
2. Start engine (see your -10).
3. Raise and lock ramp (see your -10).
4. Stop engine (see your -10).

END OF TASK

REPLACE BLACKOUT CURTAIN AND FRAME (M577A3 AND M1068A3 ONLY)

0629 00

THIS WORK PACKAGE COVERS:

Removal (page 0629 00-1).
 Installation (page 0629 00-2).

INITIAL SETUP:

Maintenance Level

Unit

Personnel Required

Unit Mechanic

Tools and Special Tools

General Mechanic's Tool Kit (WP 0926 00, Item 65)

References

See your -10

Materials/Parts

Grommet
 Locknut
 Locknut (2)
 Locknut (6)

Equipment Condition

Engine stopped (see your -10)
 Carrier blocked (see your -10)
 Ramp lowered (see your -10)

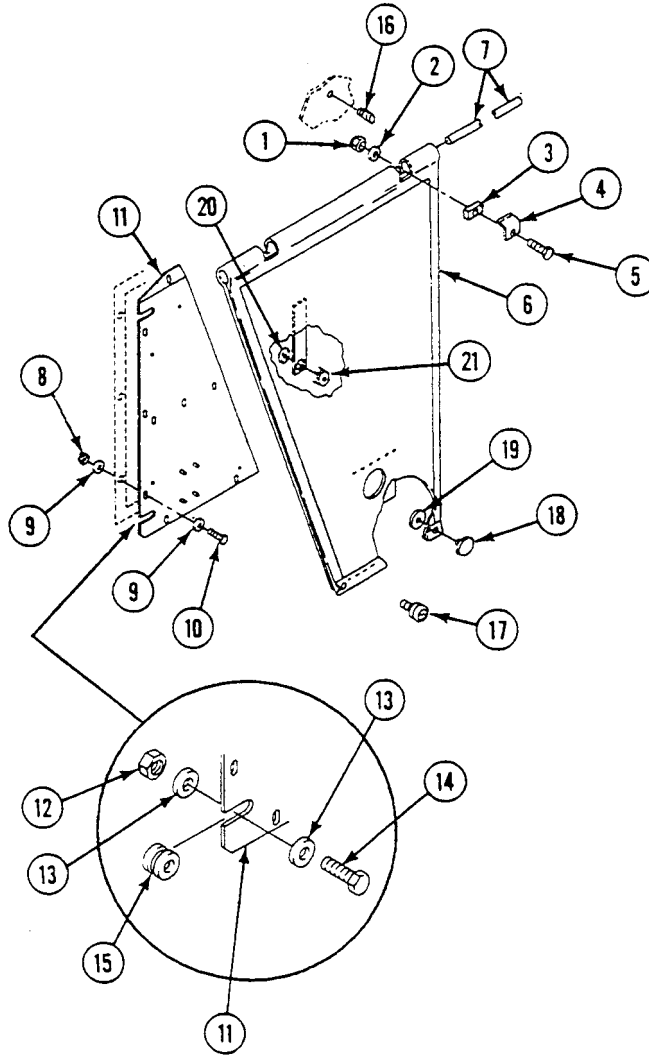
REMOVAL

1. Remove two locknuts (1), washers (2), blocks (3), clips (4), screws (5), and blackout curtain (6) from driver's compartment opening. Discard locknuts.
2. Remove rod (7) from curtain (6).
3. Remove six locknuts (8), twelve washers (9), six screws (10), and frame (11) from bulkhead and sponson. Discard locknuts.
4. Remove locknut (12), two washers (13), screw (14), and grommet (15) from frame (11). Discard grommet and locknut.
5. If damaged, remove two fasteners (16) from driver's compartment rear bulkhead.
6. Remove two studs (17) from lower frame and traverse beam in driver's compartment.
7. If needed, remove four buttons (18) and sockets (19) from curtain (6).

**REPLACE BLACKOUT CURTAIN AND FRAME (M577A3 AND M1068A3 ONLY) —
Continued**

0629 00

8. If needed, remove two eyelets (20) and washers (21) from curtain (6).



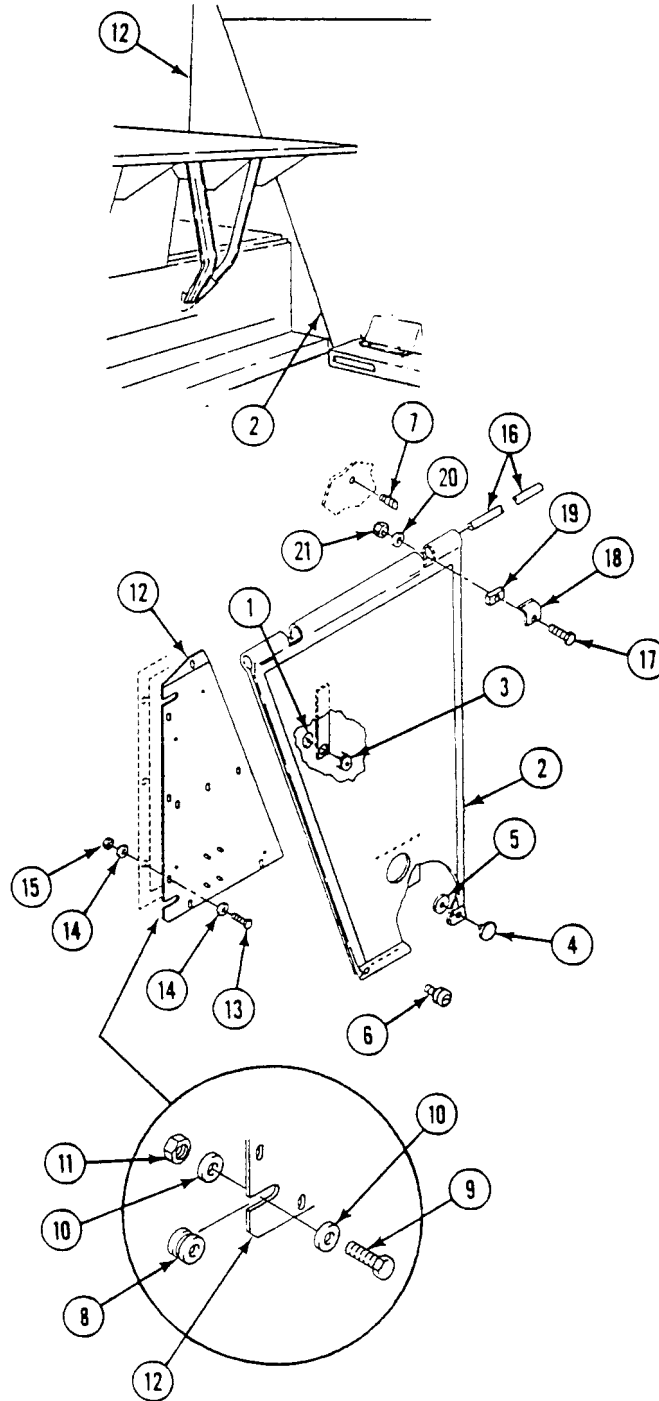
INSTALLATION

1. If removed, place two eyelets (1) on curtain (2). Secure with two washers (3).
2. If removed, place four buttons (4) on curtain (2). Secure with four sockets (5).
3. Install two studs (6) on lower frame and traverse beam in driver's compartment.
4. If removed, install two fasteners (7) on rear bulkhead in driver's compartment.
5. Install new grommet (8), screw (9), two washers (10), and new locknut (11) on frame (12).
6. Align frame (12) with bulkhead and sponson. Secure with six screws (13), twelve washers (14), and six new locknuts (15).
7. Install rod (16) in curtain (2).

REPLACE BLACKOUT CURTAIN AND FRAME (M577A3 AND M1068A3 ONLY) —
Continued

0629 00

8. Align curtain (2) with driver's compartment. Secure with two screws (17), clips (18), blocks (19), washers (20), and new locknuts (21).



REPLACE BLACKOUT CURTAIN AND FRAME (M577A3 AND M1068A3 ONLY) —
Continued

0629 00

FOLLOW-THROUGH STEPS

1. Start engine (see your -10).
2. Raise and lock ramp (see your -10).
3. Stop engine (see your -10).

END OF TASK

REPLACE/REPAIR DRIVER'S LEVEL INDICATOR (M901A3 AND M981A3 ONLY)

0630 00

THIS WORK PACKAGE COVERS:

- Removal (page 0630 00-1).
- Disassembly (page 0630 00-2).
- Assembly (page 0630 00-3).
- Installation (page 0630 00-3).
- Adjustment (page 0630 00-4).

INITIAL SETUP:

Maintenance Level

Unit

- Lockwasher (4)
- Lockwasher (2)
- Lockwasher
- Lockwasher

Tools and Special Tools

- General Mechanic's Tool Kit (WP 0926 00, Item 65)
- Mechanic's Bevel Protractor (WP 0926 00, Item 36)
- Soldering Gun (WP 0926 00, Item 54)

Personnel Required

Unit Mechanic

References

See your -10

Materials/Parts

Solder (WP 0928 00, Item 62)

Equipment Condition

- Engine stopped (see your -10)
 - Carrier blocked (see your -10)
-

REMOVAL

1. Remove four screws (1), lockwashers (2), and driver's level indicator (3) from bulkhead. Discard lockwashers.

NOTE

Tag all leads before unsoldering.

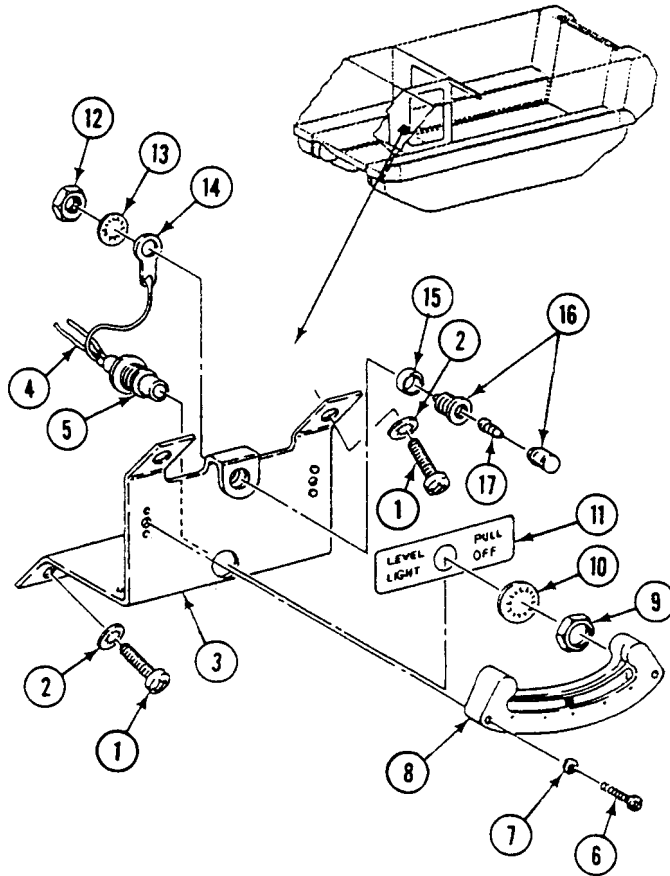
2. Unsolder three leads (4) from indicator switch (5).

REPLACE/REPAIR DRIVER'S LEVEL INDICATOR (M901A3 AND M981A3 ONLY) —
Continued

0630 00

DISASSEMBLY

1. Remove two screws (6), lockwashers (7), and level indicator (8) from bracket (3). Discard lockwashers.
2. Remove nut (9), lockwasher (10), marker (11), and switch (5) from bracket (3). Discard lockwasher.
3. Remove nut (12), lockwasher (13), terminal lug (14), ring spacer (15) and lamp holder (16) with bulb (17) from bracket (3). Discard lockwasher.



**REPLACE/REPAIR DRIVER'S LEVEL INDICATOR (M901A3 AND M981A3 ONLY) —
Continued**

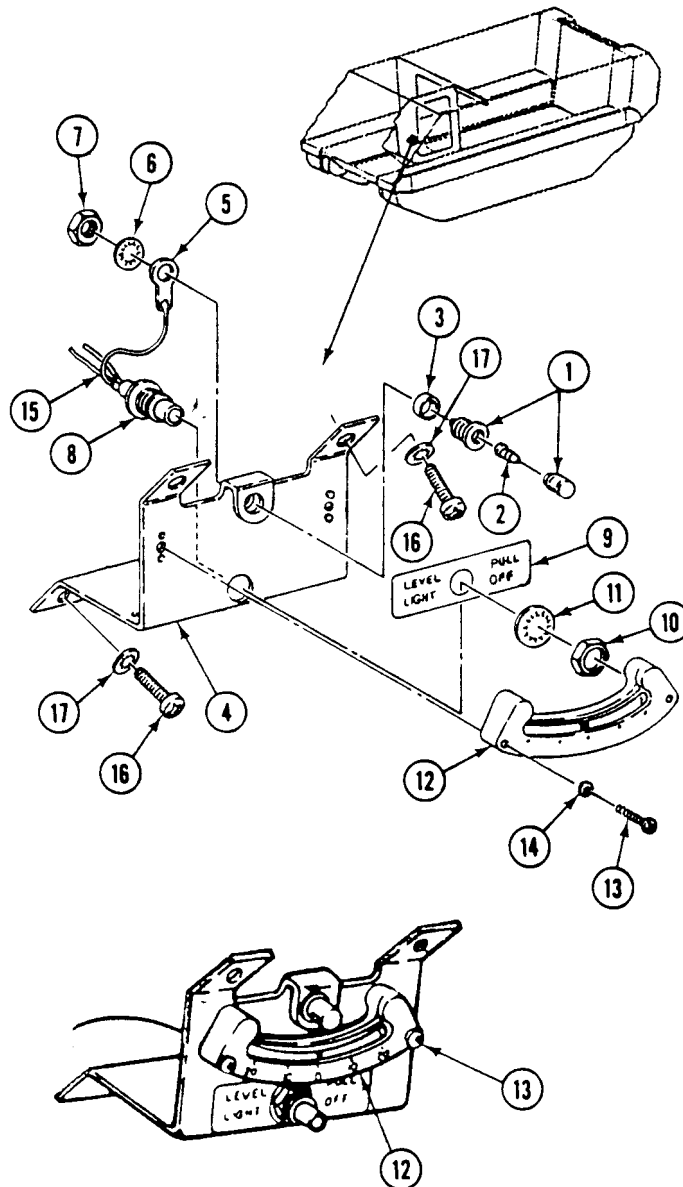
0630 00

ASSEMBLY

1. Install lamp holder (1) with bulb (2) and ring spacer (3) in bracket (4). Secure with terminal lug (5), new lockwasher (6), and nut (7).
2. Install switch (8) and marker (9) on bracket (4) and secure with nut (10) and new lockwasher (11).
3. Install level indicator (12) on bracket (4) and secure with two screws (13) and new lockwashers (14).

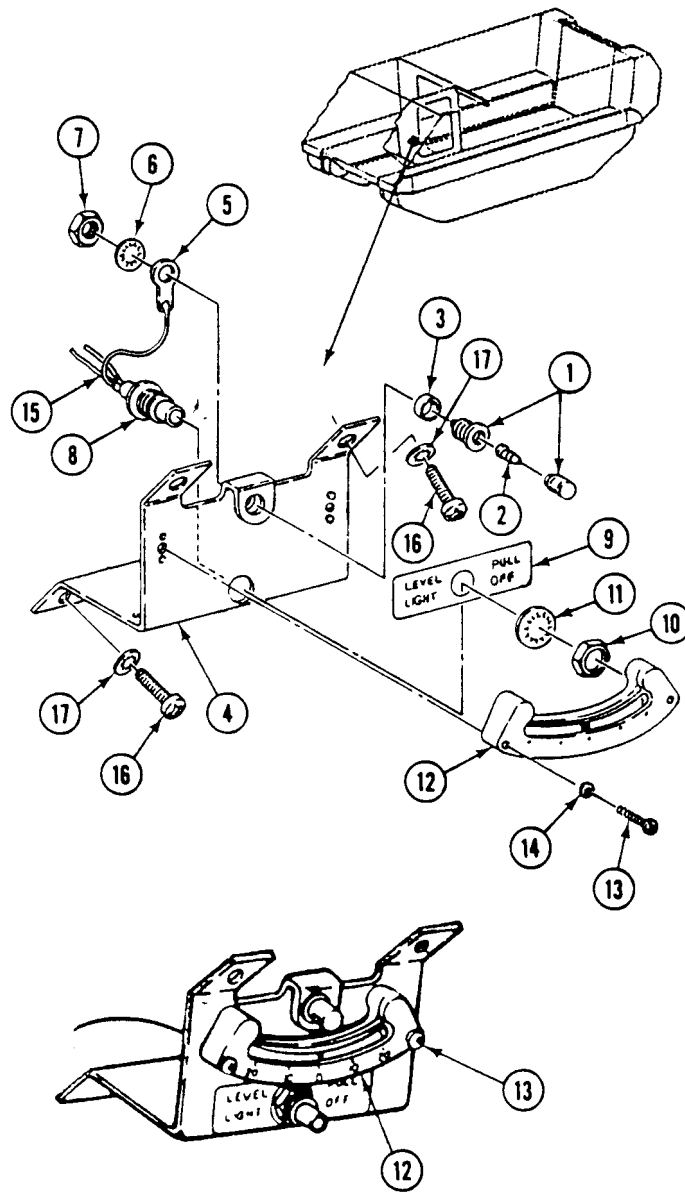
INSTALLATION

1. Solder three leads (15) to indicator switch (8).
2. Install driver's level indicator (4) on bulkhead with four screws (16) and new lockwashers (17).



ADJUSTMENT

1. Set up protractor on top deck to the right of turret, and adjust to read side-to-side tilt.
2. Note reading on protractor.
3. Loosen two adjustment screws (13) on level indicator (12) and adjust to read same as protractor.
4. Tighten adjustment screws (13) and recheck reading on indicator (12).



END OF TASK

REPLACE FRONT BILGE PUMP PIPES

0631 00

THIS WORK PACKAGE COVERS:

Removal (page 0631 00-1).
 Installation (page 0631 00-3).

INITIAL SETUP:

Maintenance Level

Unit

Personnel Required

Unit Mechanic

Tools and Special Tools

General Mechanic's Tool Kit (WP 0926 00, Item 65)

References

See your -10

Materials/Parts

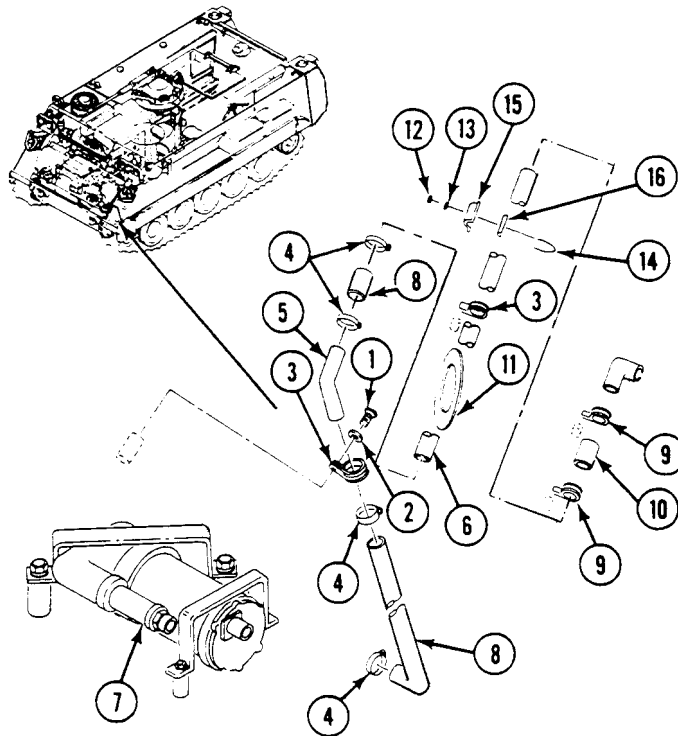
Gasket
 Grommet
 Locknut (4)
 Lockwasher (2)

Equipment Condition

Engine stopped (see your -10)
 Carrier blocked (see your -10)
 Trim vane lowered (see your -10)
 Power plant access door open (see your -10)
 Hull front access cover removed (WP 0449 00)
 Front bilge pump strainer removed (WP 0632 00)

REMOVAL

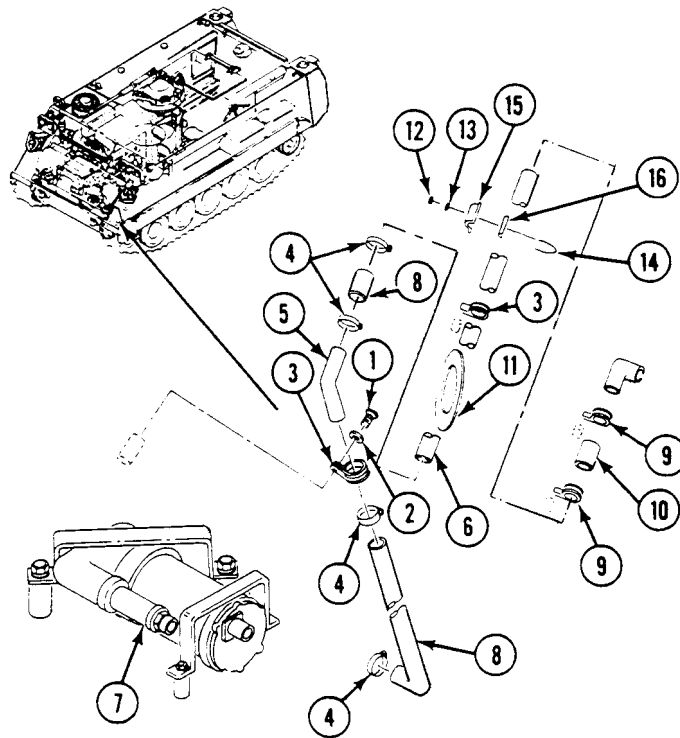
1. Remove two screws (1), lockwashers (2), and clamps (3) from two bulkhead weldnuts. Discard lockwashers.



REPLACE FRONT BILGE PUMP PIPES — Continued

0631 00

- Loosen four clamps (4). Remove lower pipe (5) from upper pipe (6) and bilge pump (7). Remove clamp (3), clamps (4), and two hoses (8) from pipe (5).
- Loosen two clamps (9). Slide pipe (6) from discharge outlet and remove pipe from driver's compartment. Remove clamp (3), clamps (9), and hose (10) from pipe.
- Remove grommet (11) from driver's compartment bulkhead. Discard grommet.
- Remove four locknuts (12), washers (13), two U-bolts (14), sight glass (15), and gasket (16) from pipe (6). Discard gasket and locknuts.

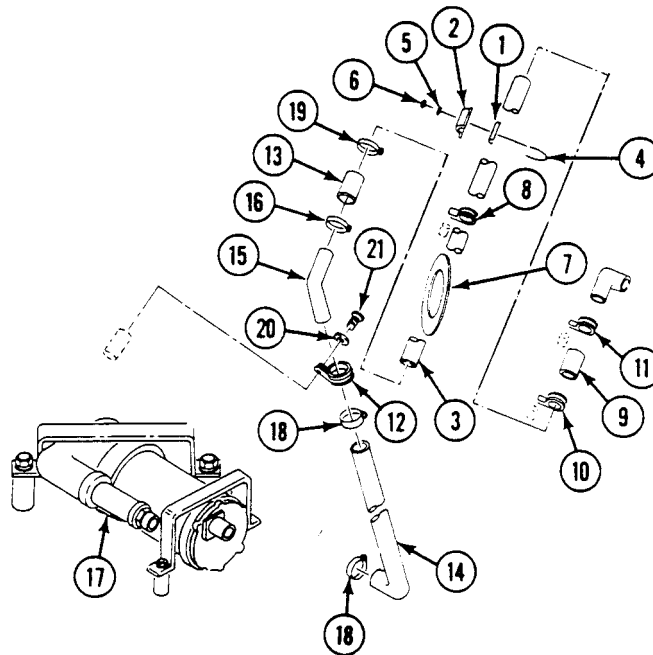


INSTALLATION

NOTE

Do not overtighten nuts. Sight glass will break.

1. Remove backing from new gasket (1). Install gasket, sticky side down, and sight glass (2) on upper pipe (3). Secure with two U-bolts (4), four washers (5), and new locknuts (6). Tighten nuts until gasket is compressed.
2. Install new grommet (7) in driver's compartment bulkhead.
3. Install clamp (8) and hose (9) on upper pipe (3). Secure hose to pipe with clamp (10).
4. Slide pipe (3) through grommet (7) and install hose (9) on discharge outlet. Secure with clamp (11).
5. Install clamp (12) and two hoses (13) and (14) on lower pipe (15). Secure hoses to pipe with two clamps (16).
6. Install hose (14) on bilge pump (17). Secure with clamp (18).
7. Install hose (13) on upper pipe (3). Secure with clamp (19).
8. Align two clamps (8) and (12) with two bulkhead weldnuts. Secure with two new lockwashers (20) and screws (21).



FOLLOW-THROUGH STEPS

1. Install front bilge pump strainer (WP 0632 00).
2. Turn MASTER SWITCH ON (see your -10). Operate bilge pump and check for leaks. Turn all switches OFF.
3. Install hull front access cover (WP 0449 00).
4. Close power plant access door (see your -10).
5. Raise trim vane (see your -10).

END OF TASK

REPLACE FRONT BILGE PUMP AND STRAINER

0632 00

THIS WORK PACKAGE COVERS:

- Removal (page 0632 00-1).
- Installation (page 0632 00-3).

INITIAL SETUP:

Maintenance Level

Unit

Personnel Required

Unit Mechanic

Tools and Special Tools

- General Mechanic's Tool Kit (WP 0926 00, Item 65)
- Adjustable Wrench (WP 0926 00, Item 75)
- Pipe Wrench (WP 0926 00, Item 77)

References

See your -10

Materials/Parts

- Adhesive (WP 0928 00, Item 4)
- Cushion (3)
- Key washer (3)
- Lockwasher (5)
- Star washer (2)

Equipment Condition

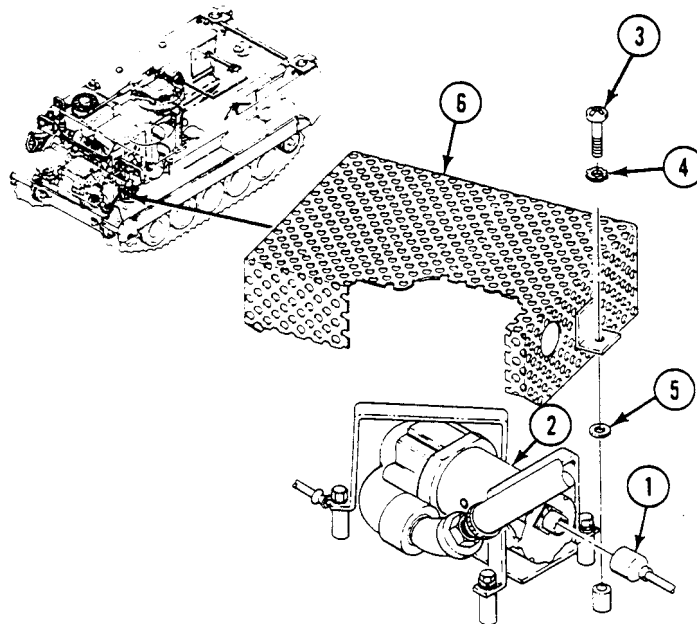
- Engine stopped (see your -10)
- Carrier blocked (see your -10)
- Trim vane lowered (see your -10)
- Power plant front access cover removed (WP 0449 00)
- Battery ground strap disconnected (WP 0337 00), (WP 0338 00), or (WP 0339 00)

REMOVAL

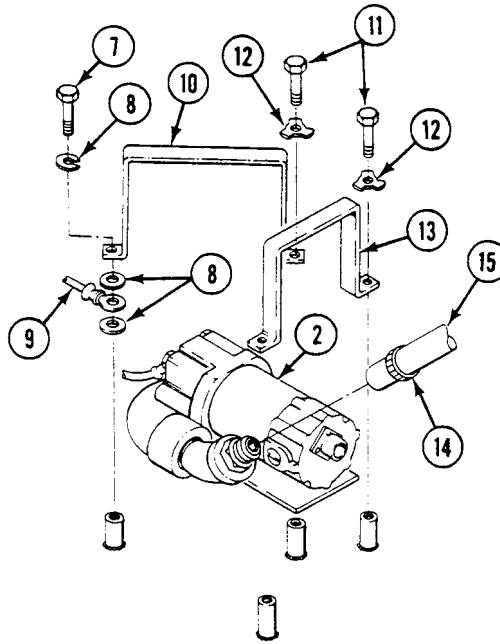
NOTE

If only strainer is to be replaced, do Removal Step 1 and Step 2, then Installation Steps 9 - 11 only.

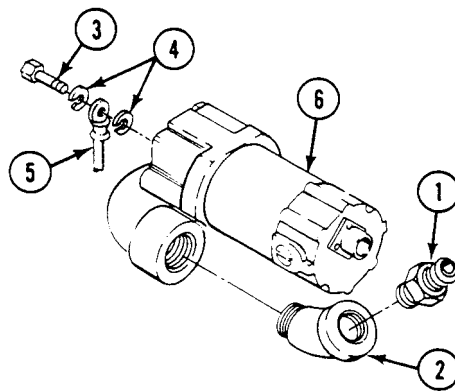
1. Disconnect lead (1) from bilge pump (2).
2. Remove two screws (3), star washers (4), washers (5), and strainer (6) from hull weldnuts. Discard star washers.



3. Remove screw (7), three lockwashers (8), and ground lead (9) from strap (10). Discard lockwashers.
4. Remove three screws (11), key washers (12), and two straps (10)(13). Discard key washers.
5. Loosen clamp (14). Remove hose (15) from pump (2).

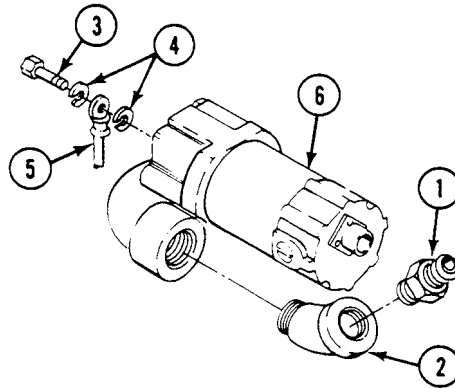


6. Remove adapter (1), elbow (2), screw (3), two lockwashers (4), and ground lead (5) from pump (6). Use adjustable wrench and pipe wrench. Discard lock washers. Reinstall screw in pump.



INSTALLATION

1. Remove screw (3) and washer from new pump (6). Discard washer.
2. Install ground lead (5) on pump (6). Secure with two new lockwashers (4) and screw (3).
3. Install elbow (2) and adapter (1) on pump (6). Use pipe wrench and adjustable wrench.

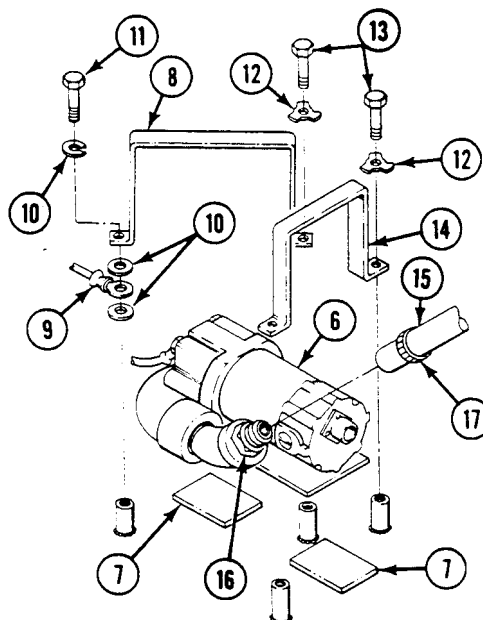


4. Cement new cushion (7) on bottom of pump (6) with adhesive.
5. Install pump (6) in carrier.

NOTE

Do not tighten strap screws until all four are installed.

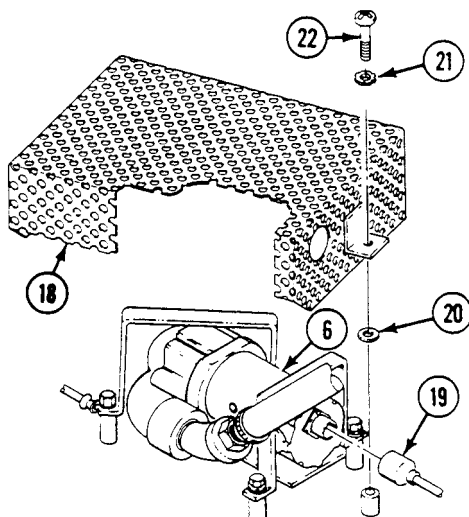
6. Install strap (8) and ground lead (9) on hull weldnuts. Secure with three new lockwashers (10), screw (11), new key washer (12) and screw (13). Bend tabs on key washer.
7. Install strap (14) on hull weldnuts. Secure with two screws (13) and new key washers (12). Bend tabs on key washers.
8. Slide hose (15) on adapter (16). Secure with clamp (17).



REPLACE FRONT BILGE PUMP AND STRAINER — Continued

0632 00

9. Install strainer (18) on hull weldnuts.
10. Connect lead (19) to bilge pump (6).
11. Secure strainer (18) to hull weldnuts with two washers (20), new star washers (21), and screws (22).

**FOLLOW-THROUGH STEPS**

1. Connect battery ground strap (WP 0337 00), (WP 0338 00), or (WP 0339 00).
2. Install power plant front access cover (WP 0449 00).
3. Raise trim vane (see your -10).

END OF TASK

REPLACE FRONT BILGE VALVE

0633 00

THIS WORK PACKAGE COVERS:

Removal (page 0633 00-1).
 Installation (page 0633 00-2).

INITIAL SETUP:

Maintenance Level

Unit

References

See your -10

Tools and Special Tools

General Mechanic's Tool Kit (WP 0926 00, Item 65)

Equipment Condition

Engine stopped (see your -10)

Carrier blocked (see your -10)

Ramp lowered (see your -10)

Driver's rear floor plate removed (WP 0453 00)

Personnel heater floor duct removed (WP 0706 00)

Left front floor plate removed (WP 0539 00)

Materials/Parts

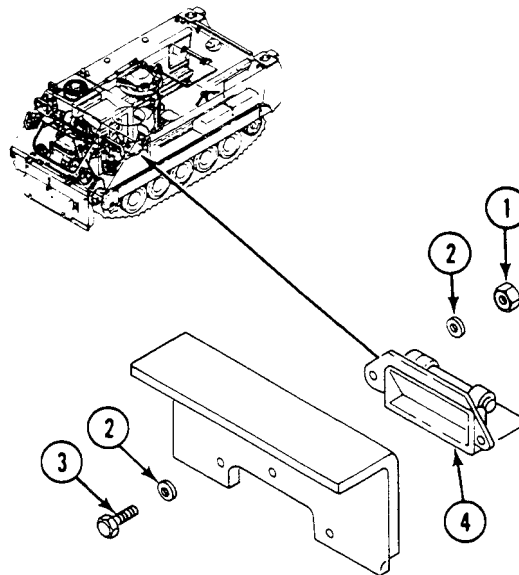
Locknut (3)

Personnel Required

Unit Mechanic

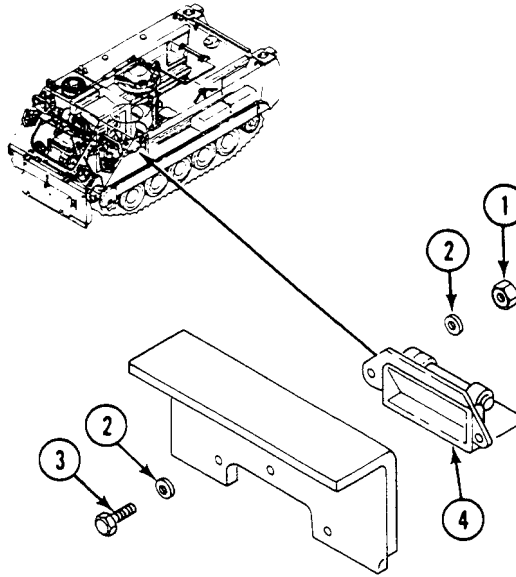
REMOVAL

1. Remove three locknuts (1), six washers (2), and three screws (3) from hull cross beam. Discard locknuts.
2. Remove valve (4) from beam.



INSTALLATION

1. Install valve (4) on hull cross beam.
2. Secure with three screws (3), six washers (2), and three new locknuts (1).

**FOLLOW-THROUGH STEPS**

1. Check for freedom of movement of valve after installation.
2. Install left front floor plate (WP 0539 00).
3. Install personnel heater floor duct (WP 0706 00).
4. Install driver's rear floor plate (WP 0453 00).
5. Raise and lock ramp (see your -10).
6. Turn MASTER SWITCH OFF (see your -10).

END OF TASK

REPLACE REAR BILGE PUMP PIPES

0634 00

THIS WORK PACKAGE COVERS:

Removal (page 0634 00-1).
 Installation (page 0634 00-2).

INITIAL SETUP:

Maintenance Level

Unit

References

See your -10

Tools and Special Tools

General Mechanic's Tool Kit (WP 0926 00, Item 65)

Equipment Condition

Engine stopped (see your -10)
 Carrier blocked (see your -10)
 Rear floor plate removed (WP 0539 00)
 Smoke generator fog oil tank module removed
 (M1059A3 only) (WP 0753 00)

Materials/Parts

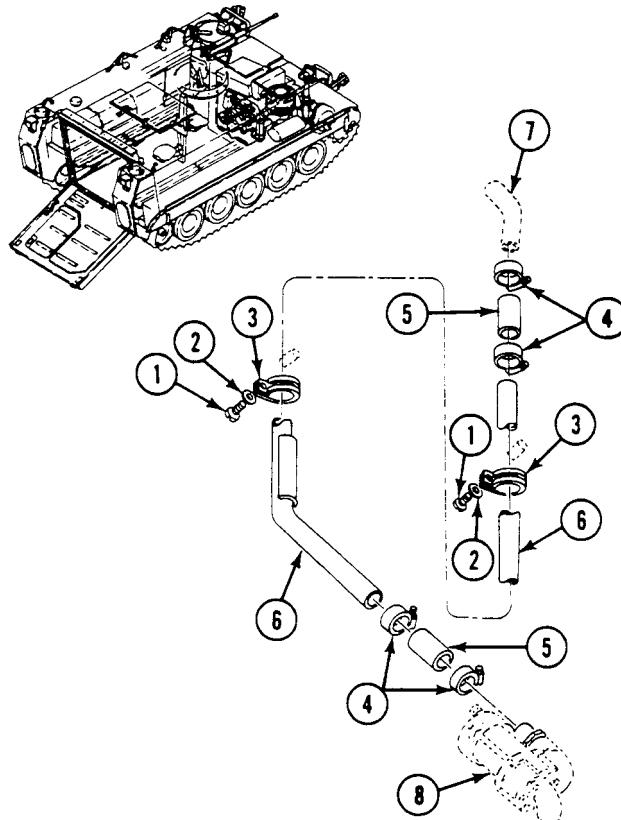
Lockwasher (2)

Personnel Required

Unit Mechanic

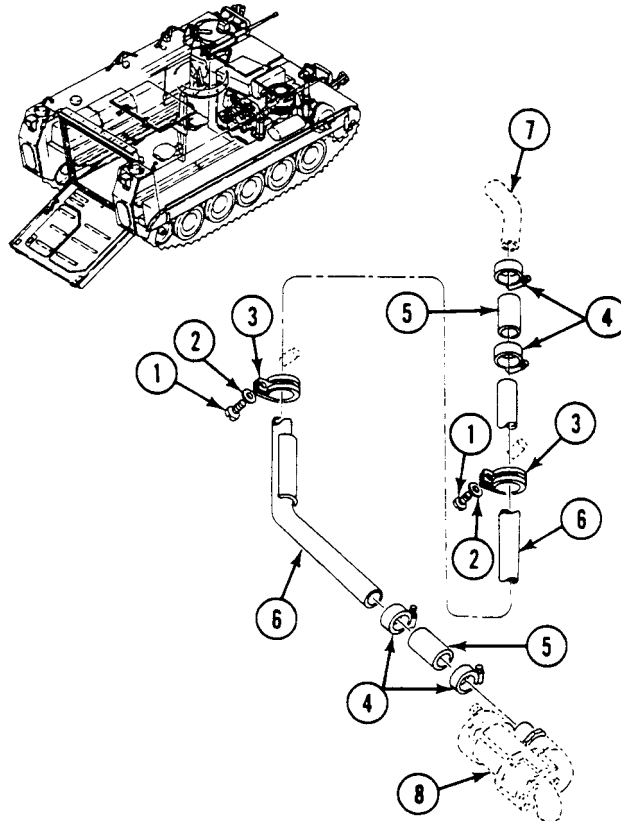
REMOVAL

1. Remove two screws (1), lockwashers (2), and clamps (3) from two bulkhead weldnuts. Discard lockwashers.
2. Loosen four clamps (4) and slide two hoses (5) back on pipe (6). Remove pipe from carrier.
3. Remove four clamps (4), two hoses (5), and two clamps (3) from pipe (6).



INSTALLATION

1. Install two clamps (3), hoses (5), and four clamps (4) on pipe (6).
2. Install pipe (6) in carrier and slide hoses (5) onto discharge tube (7) and bilge pump (8). Secure with four clamps (4).
3. Align two clamps (3) with bulkhead weldnuts. Secure with two screws (1) and new lockwashers (2).

**FOLLOW-THROUGH STEPS**

1. Turn MASTER SWITCH ON.
2. Turn BILGE PUMPS switch ON. Check pipe for leaks.
3. Turn BILGE PUMPS switch OFF.
4. Turn MASTER SWITCH OFF.
5. Install rear floor plate (WP 0539 00).
6. Install smoke generator fog oil tank module (M1059A3 only) (WP 0753 00).

END OF TASK

REPLACE REAR BILGE PUMP AND STRAINER

0635 00

THIS WORK PACKAGE COVERS:

Removal (page 0635 00-1).
 Installation (page 0635 00-3).

INITIAL SETUP:

Maintenance Level

Unit

References

See your -10

Tools and Special Tools

General Mechanic's Tool Kit (WP 0926 00, Item 65)
 Adjustable Wrench (WP 0926 00, Item 75)

Equipment Condition

Engine stopped (see your -10)
 Carrier blocked (see your -10)
 Ramp lowered (see your -10)
 Battery ground strap disconnected (WP 0337 00),
 (WP 0338 00), or (WP 0339 00)
 Smoke generator fog oil tank module removed
 (M1059A3 only) (WP 0753 00)
 Rear floor plate removed (WP 0539 00)

Materials/Parts

Adhesive (WP 0928 00, Item 4)
 Locknut (M1064A3 only)
 Lockwasher (5)
 Tablock washer (3)

Personnel Required

Unit Mechanic

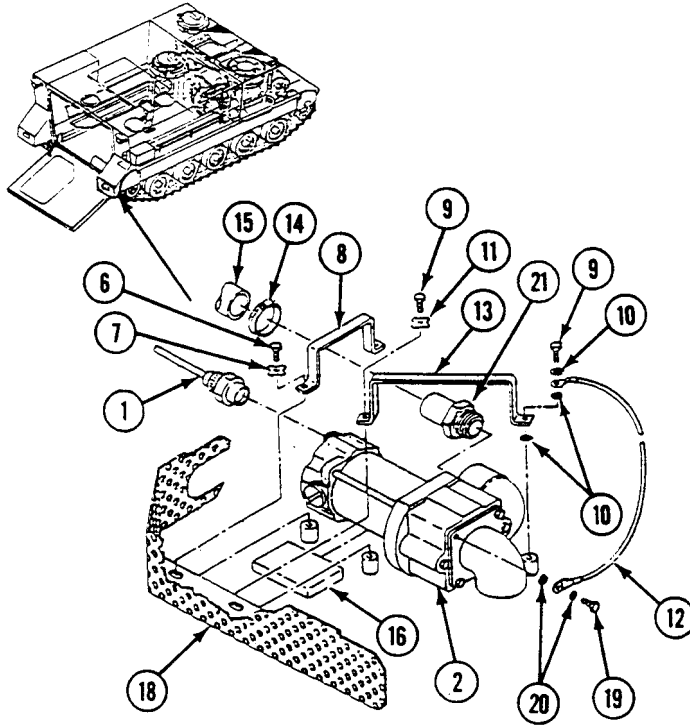
REMOVAL

1. Disconnect circuit 451 lead (1) from rear bilge pump (2).
2. On M1064A3 only, remove screw (3), washer (4), and strainer (5) from pump (2).
3. Remove two screws (6), tablock washers (7), and bracket (8) from hull weldnuts. Discard washers.

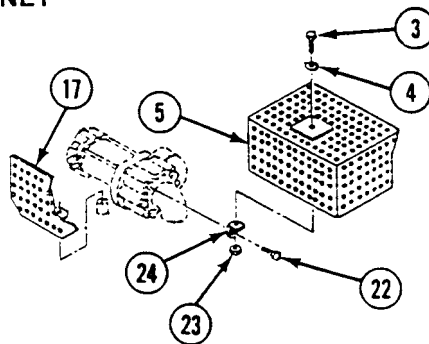
REPLACE REAR BILGE PUMP AND STRAINER — Continued

0635 00

4. Remove two screws (9), three lockwashers (10), tablock washer (11), ground lead (12), and bracket (13) from hull weldnuts. Discard washers.
5. Loosen clamp (14). Remove pump (2) from hose (15) and cushion (16).
6. Remove strainer (17) (M1064A3) or strainer (18) (all other carriers) from hull weldnuts.
7. Remove screw (19), two lockwashers (20), ground lead (12), and adapter (21) from pump (2). Discard lockwashers.
8. On M1064A3 only, remove screw (22), locknut (23), and bracket (24) from pump (2). Discard locknut.

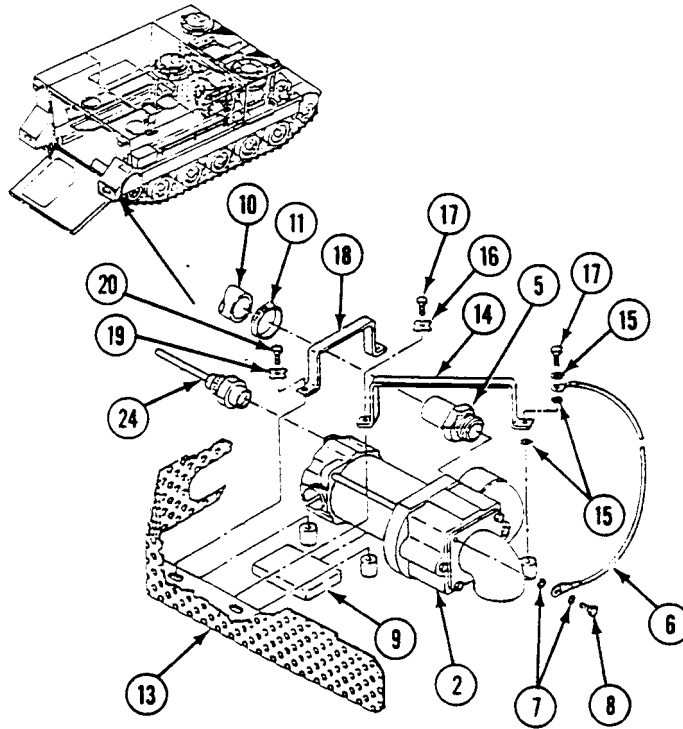


M1064A3 ONLY

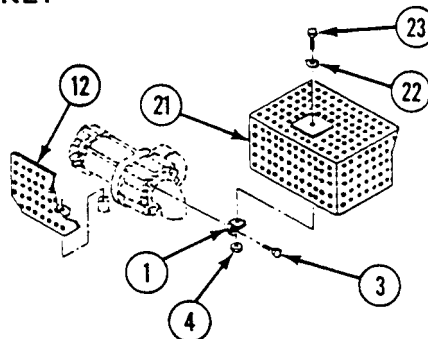


INSTALLATION

1. On M1064A3 only, place bracket (1) on new pump (2). Secure with screw (3) and new locknut (4).
2. Install adapter (5) in pump (2). Place ground lead (6) on pump (2). Secure with two new lockwashers (7) and screw (8).
3. Secure cushion (9) to pump (2) with adhesive.
4. Install pump (2) in carrier. Slide hose (10) on adapter (5) and secure with clamp (11).
5. Place strainer (12) (M1064A3 only) or strainer (13) (all other carriers) on hull weldnuts.
6. Install bracket (14) on weldnuts. Secure with three new lockwashers (15), ground lead (6), new tablock washer (16), and two screws (17).
7. Install bracket (18) on weldnuts. Secure with two new tablock washers (19) and screws (20).
8. On M1064A3 only, place strainer (21) on pump (2). Secure with washer (22) and screw (23).
9. Connect circuit 451 lead (24) to bilge pump (2).



M1064A3 ONLY



FOLLOW-THROUGH STEPS

1. Connect battery ground strap (WP 0337 00), (WP 0338 00), or (WP 0339 00).
2. Turn MASTER SWITCH ON.
3. Turn BILGE PUMPS switch ON and check pump. Put your hand over pump outlet. You should feel air coming out. This means pump is working.
4. Turn BILGE PUMPS switch and MASTER SWITCH OFF.
5. Install rear floor plate (WP 0539 00).
6. Install smoke generator fog oil tank module (M1059A3 only) (WP 0754 00).
7. Start engine (see your -10).
8. Raise and lock ramp (see your -10).
9. Stop engine (see your -10).

END OF TASK

STENCILS (M113A3 ONLY)

0636 00

THIS WORK PACKAGE COVERS:

Inspection of Installed Items (page 0636 00-2).

INITIAL SETUP:

Maintenance Level

Unit

References

See your -10

Personnel Required

Unit Mechanic

Equipment Condition

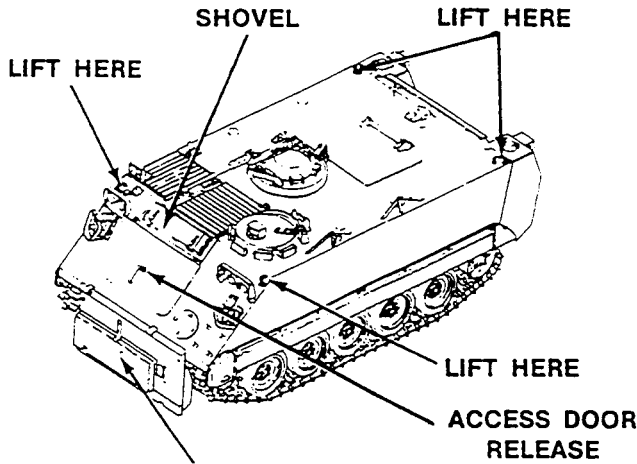
Engine stopped (see your -10)

Carrier blocked (see your -10)

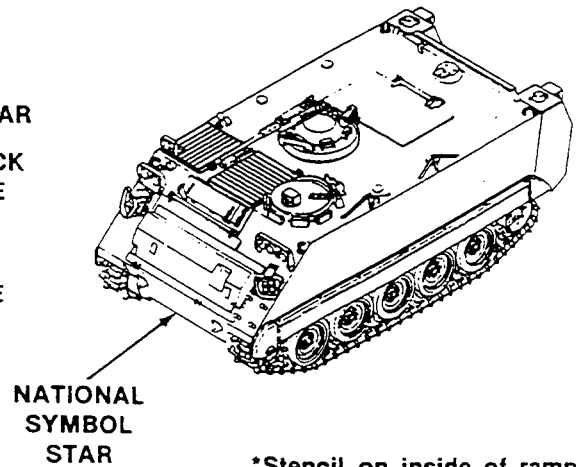
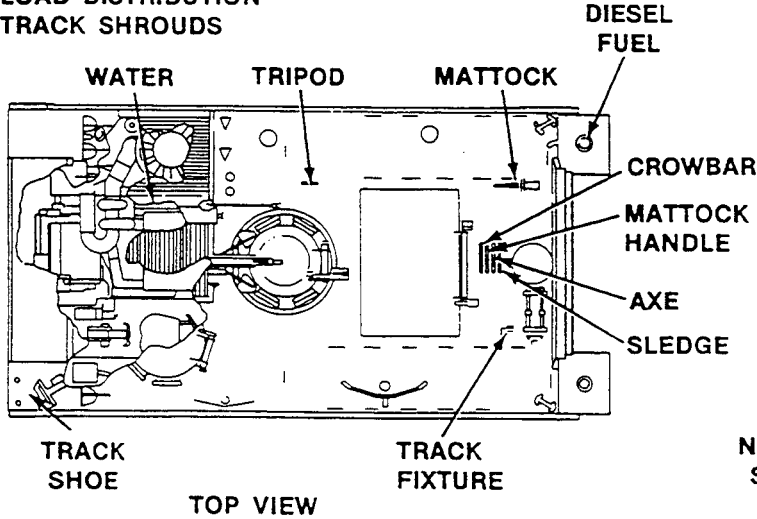
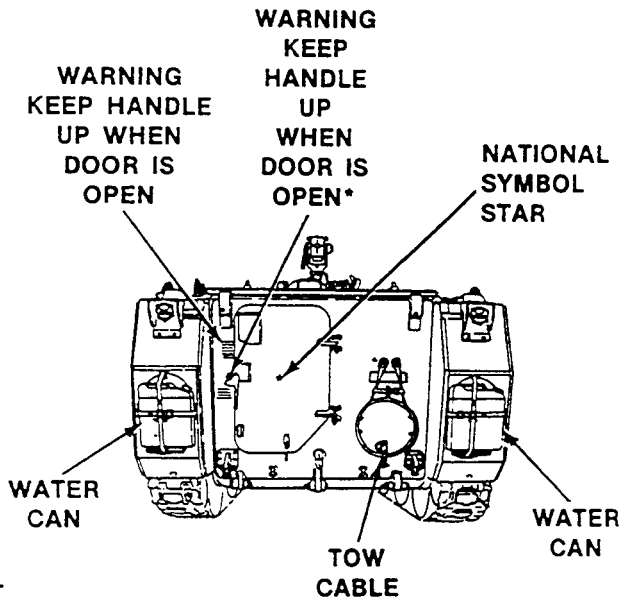
INSPECTION OF INSTALLED ITEMS

This task shows the location of stencils on the M113A3 carrier. To replace stencils, see WP 0654 00.

STENCIL LOCATIONS



CHECK FOR WATER OPERATION
DRAIN PLUGS
BILGE PUMP
HATCHES
LOAD DISTRIBUTION
TRACK SHROUDS



*Stencil on inside of ramp

END OF TASK

STENCILS (M577A3 ONLY)

0637 00

THIS WORK PACKAGE COVERS:

Inspection of Installed Items (page 0637 00-1).

INITIAL SETUP:

Maintenance Level

Unit

References

See your -10

Personnel Required

Unit Mechanic

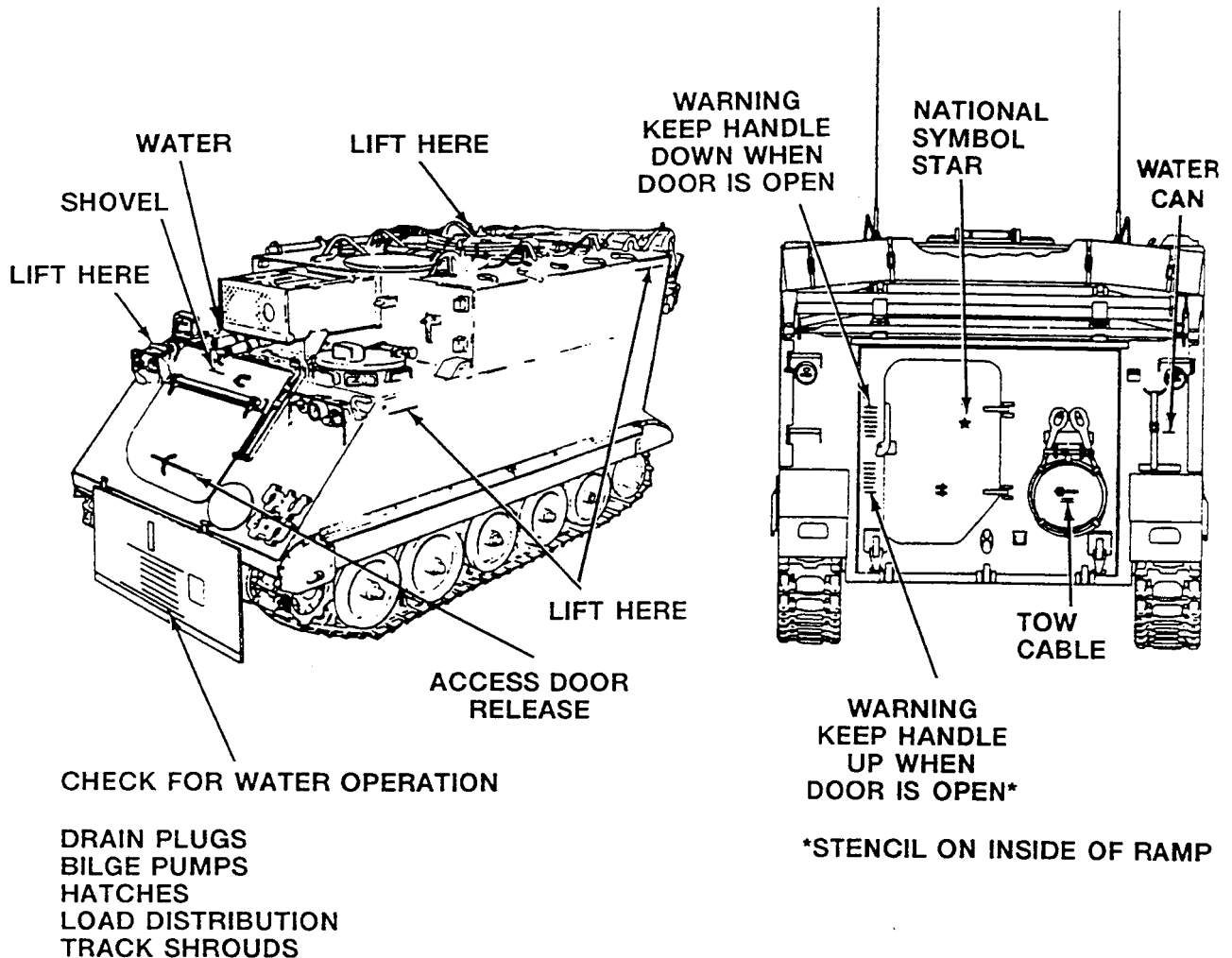
Equipment Condition

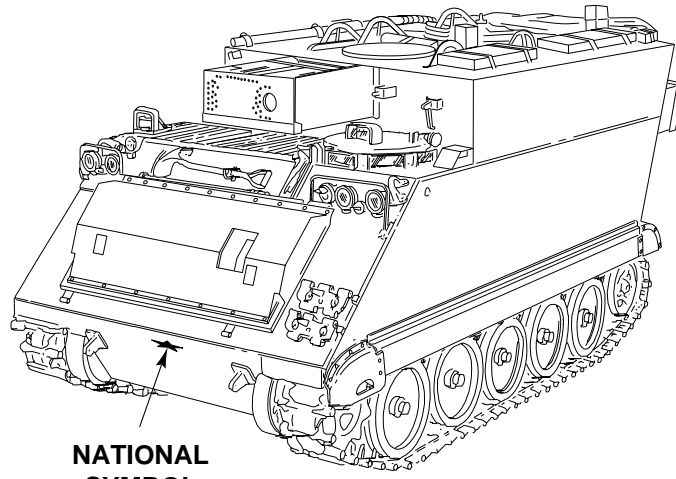
Engine stopped (see your -10)

Carrier blocked (see your -10)

INSPECTION OF INSTALLED ITEMS

This task shows the location of stencils on the M577A3 carrier. To replace stencils, see WP 0654 00.





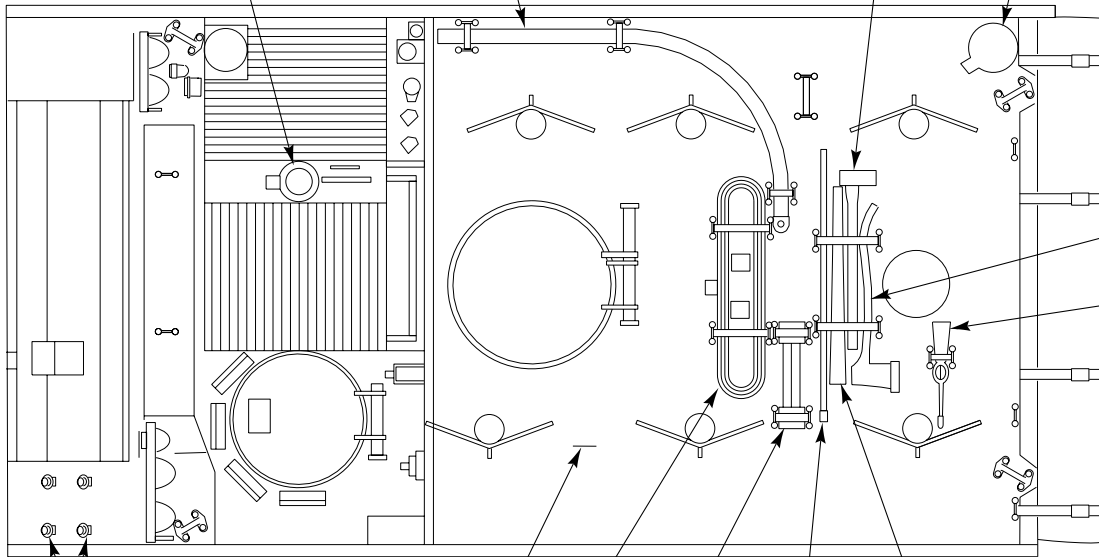
NATIONAL
SYMBOL
STAR

DAVIT
(USE WITH 4.2 KW
GENERATOR SET ONLY)

DIESEL
FUEL

WATER

SLEDGE



AXE

MATTOCK

TRACK
SHOE

ANTENNA

TRACK
FIXTURE

MATTOCK
HANDLE

CABLE

CROWBAR

END OF TASK

STENCILS (M901A3 ONLY)

0638 00

THIS WORK PACKAGE COVERS:

Inspection of Installed Items (page 0638 00-2).

INITIAL SETUP:

Maintenance Level

Unit

References

See your -10

Personnel Required

Unit Mechanic

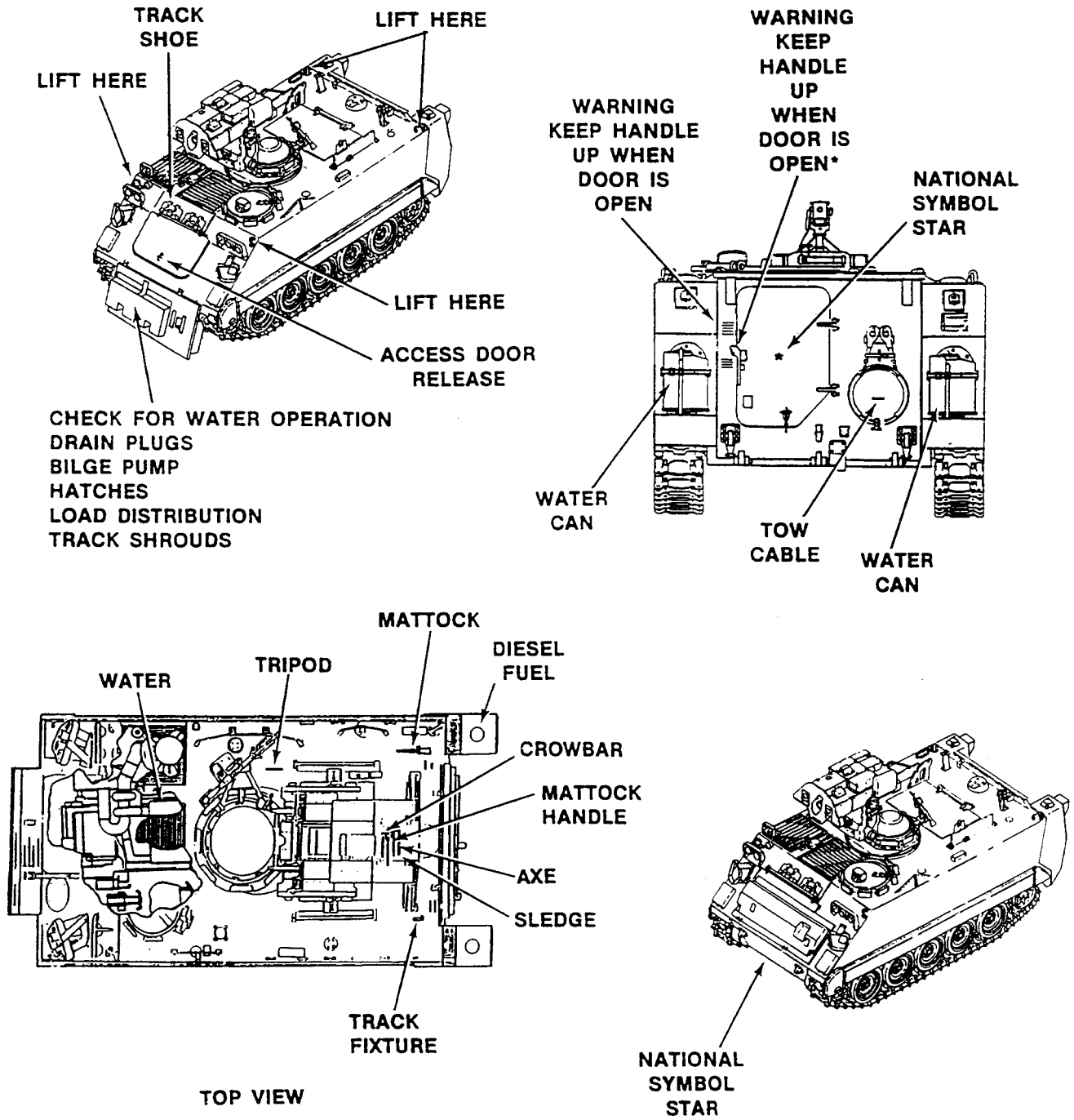
Equipment Condition

Engine stopped (see your -10)

Carrier blocked (see your -10)

INSPECTION OF INSTALLED ITEMS

This task shows the location of stencils on the M901A3 carrier. To replace stencils, see WP 0654 00.



*Stencil on inside of ramp

END OF TASK

STENCILS (M981A3 ONLY)

0639 00

THIS WORK PACKAGE COVERS:

Inspection of Installed Items (page 0639 00-2).

INITIAL SETUP:

Maintenance Level

Unit

References

See your -10

Personnel Required

Unit Mechanic

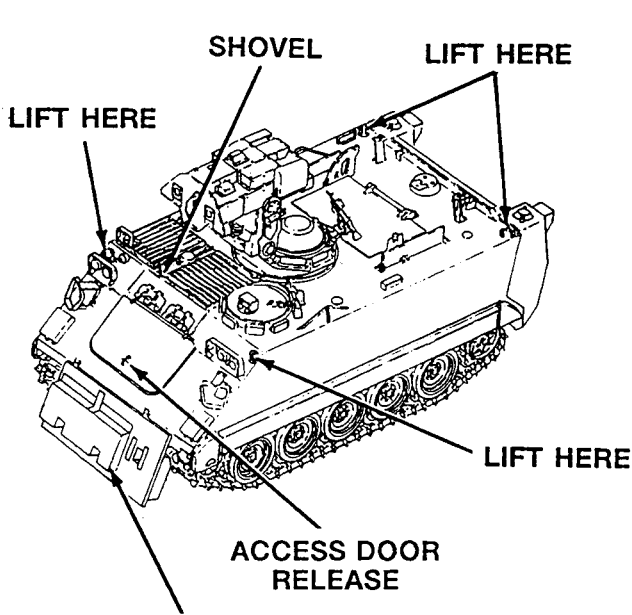
Equipment Condition

Engine stopped (see your -10)

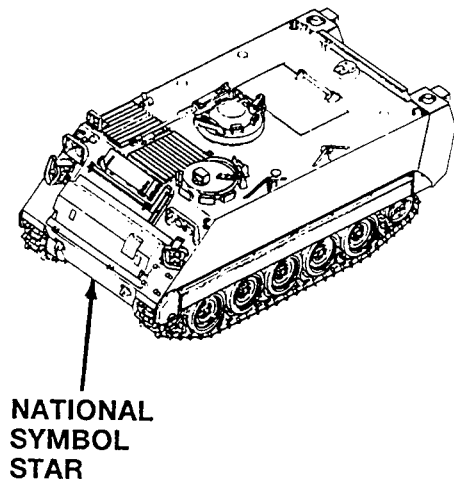
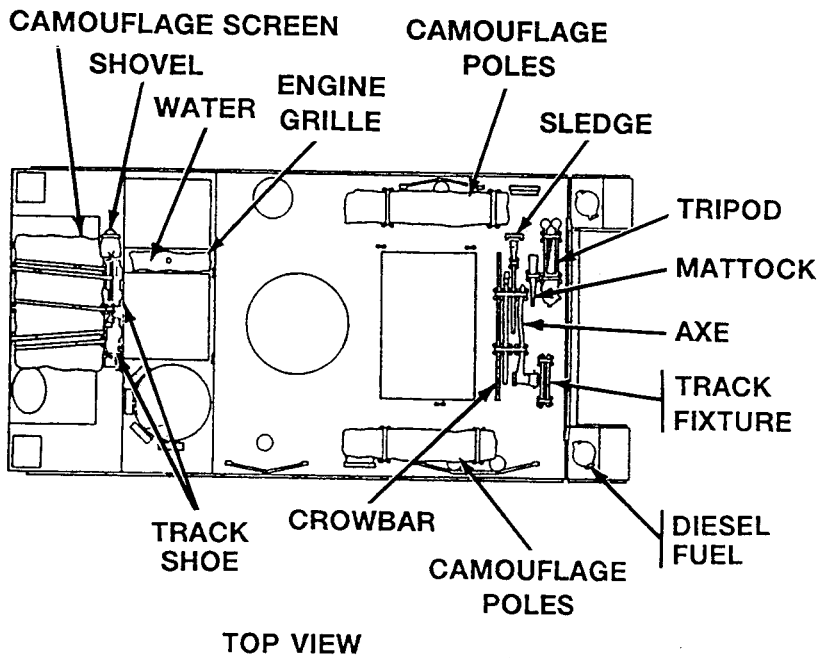
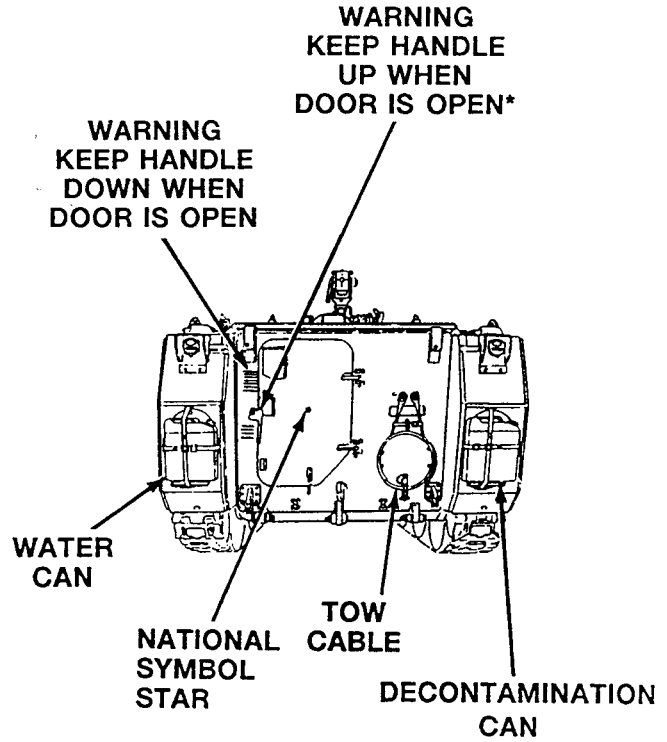
Carrier blocked (see your -10)

INSPECTION OF INSTALLED ITEMS

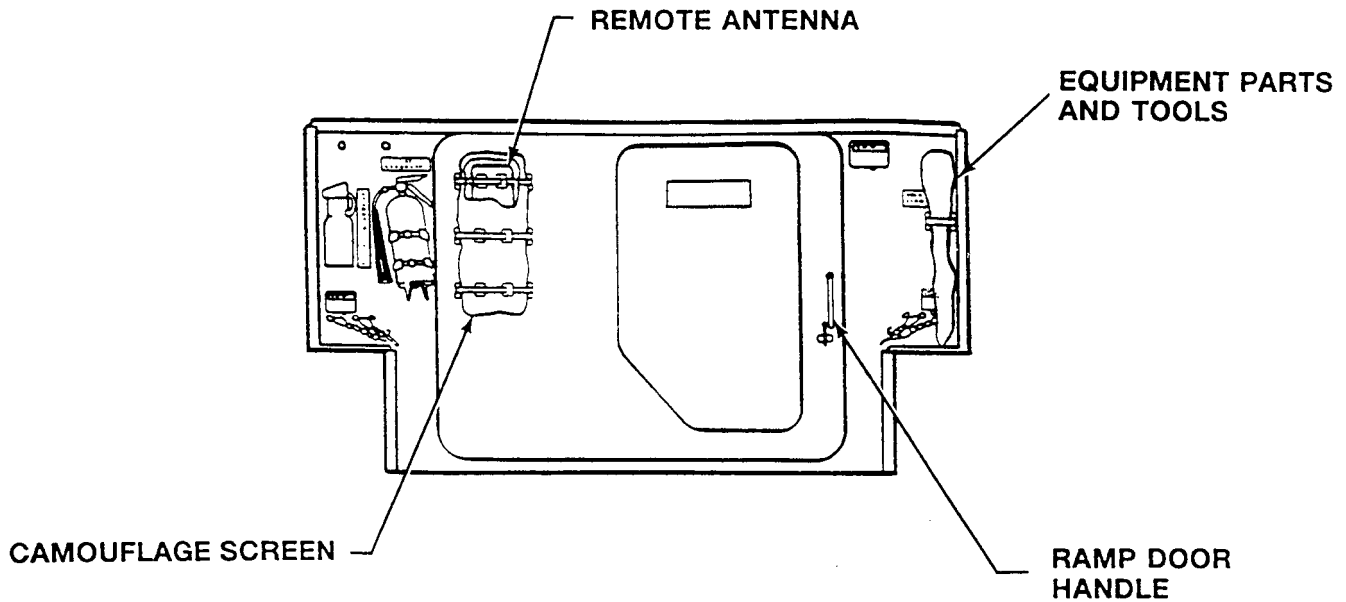
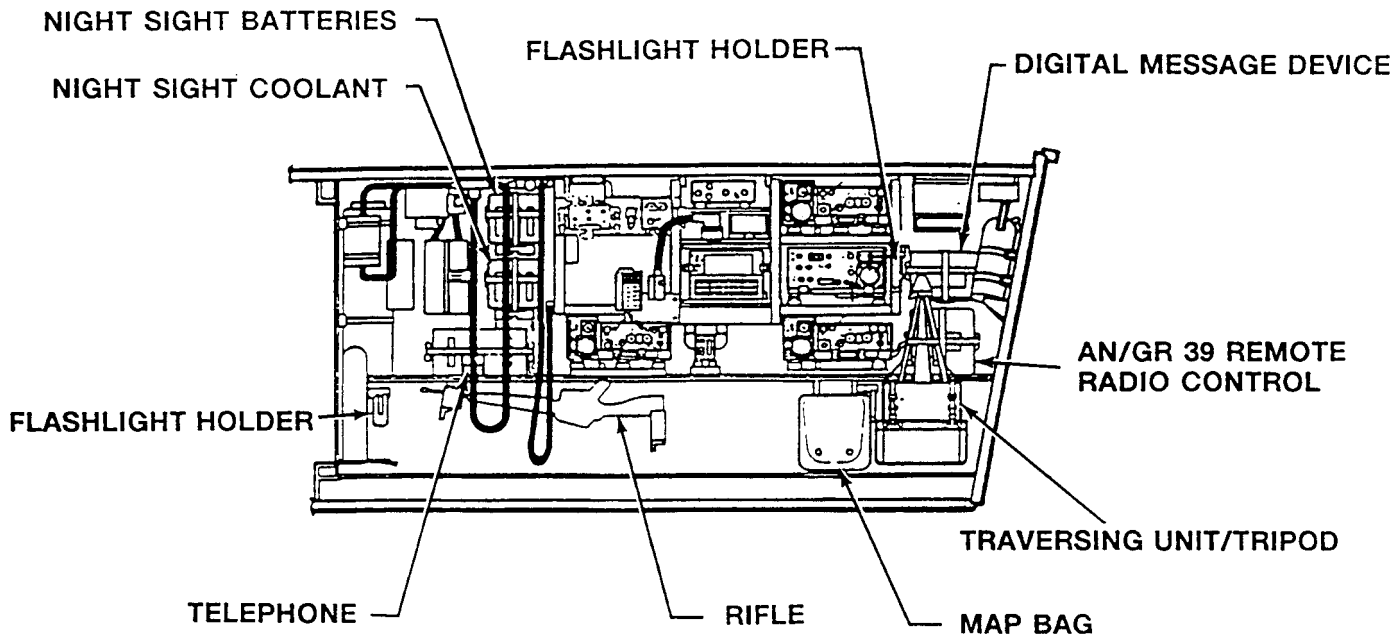
This task shows the location of stencils on the M981A3 carrier. To replace stencils, see WP 0654 00.



CHECK FOR WATER OPERATION
DRAIN PLUGS
BILGE PUMP
HATCHES
LOAD DISTRIBUTION
TRACK SHROUDS



*STENCIL ON INSIDE OF RAMP



- | | |
|--|---|
| <ul style="list-style-type: none"> 1. Decal, invisible laser beam 2. Marker, CAUTION, hearing protection required 3. Marker, instruction, fuel return lines | <ul style="list-style-type: none"> 4. Marker, instruction, fuel return lines 5. Marker, M11 decontamination 6. Marker, fire extinguisher |
|--|---|

END OF TASK

STENCILS (M1059A3 ONLY)

0640 00

THIS WORK PACKAGE COVERS:

Inspection of Installed Items (page 0640 00-2).

INITIAL SETUP:

Maintenance Level

Unit

References

See your -10

Personnel Required

Unit Mechanic

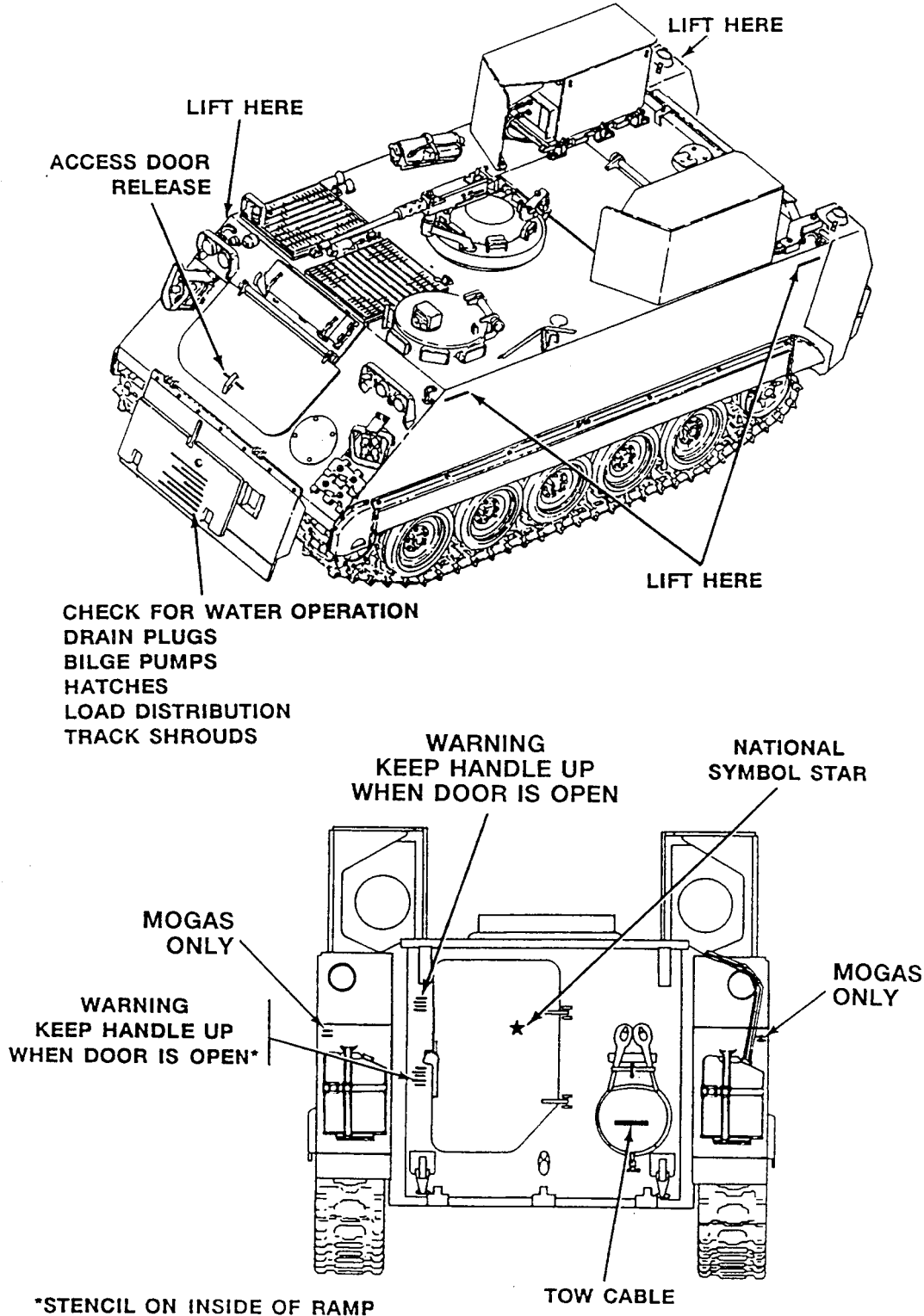
Equipment Condition

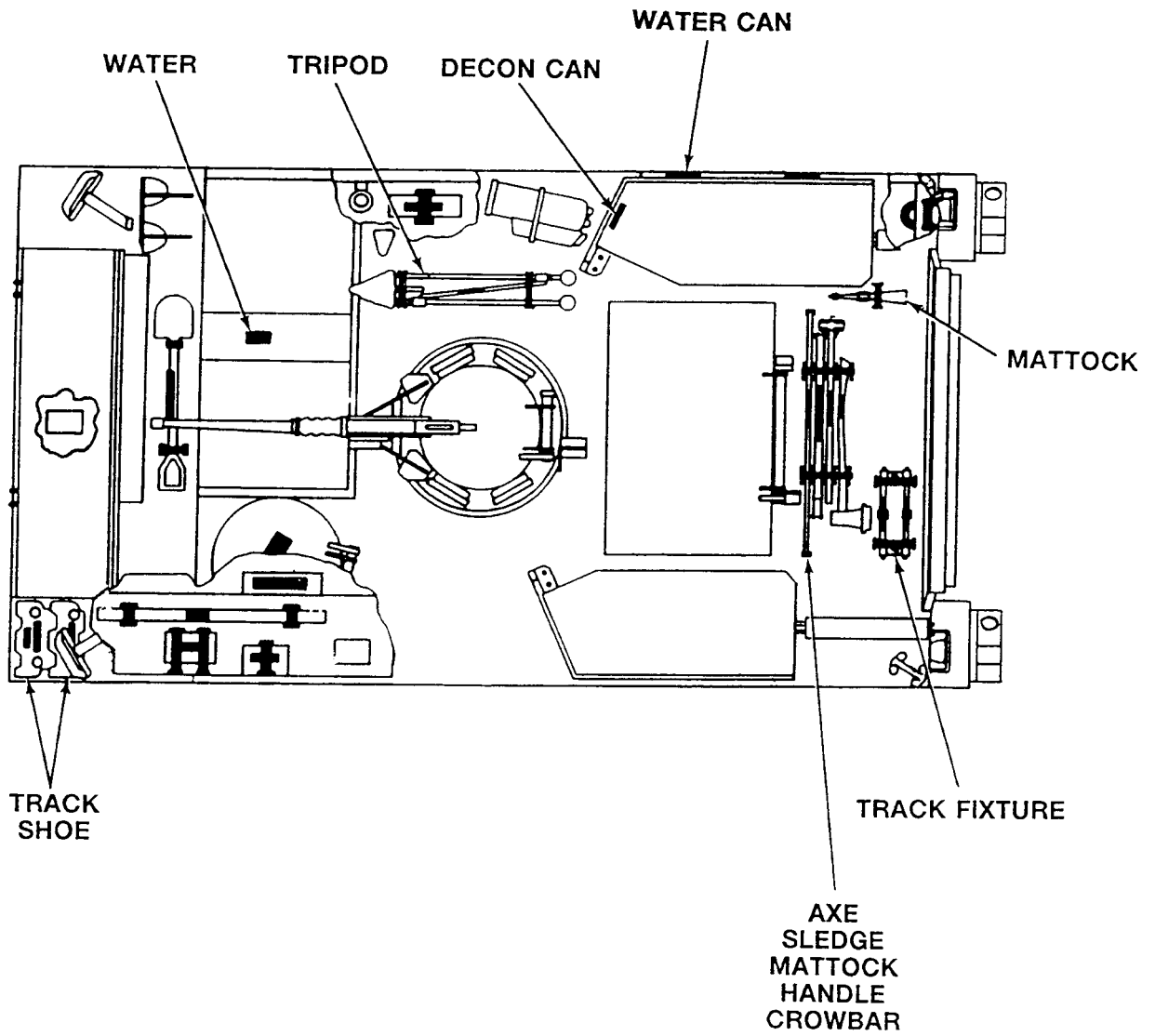
Engine stopped (see your -10)

Carrier blocked (see your -10)

INSPECTION OF INSTALLED ITEMS

This task shows the location of stencils on the M1059A3 carrier. To replace stencils, see WP 0654 00.





END OF TASK

STENCILS (M1064A3 ONLY)

0641 00

THIS WORK PACKAGE COVERS:

Inspection of Installed Items (page 0641 00-2).

INITIAL SETUP:

Maintenance Level

Unit

References

See your -10

Personnel Required

Unit Mechanic

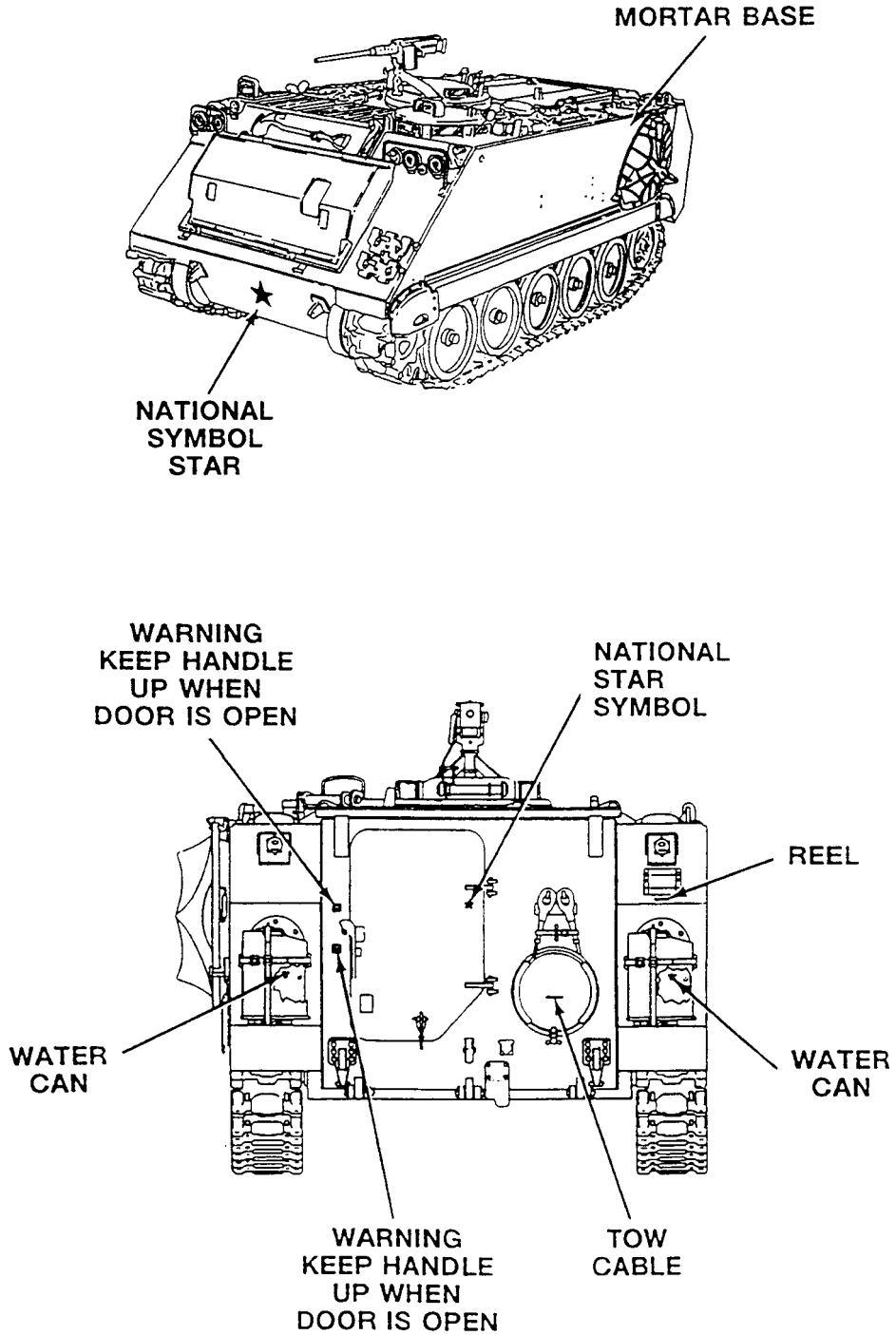
Equipment Condition

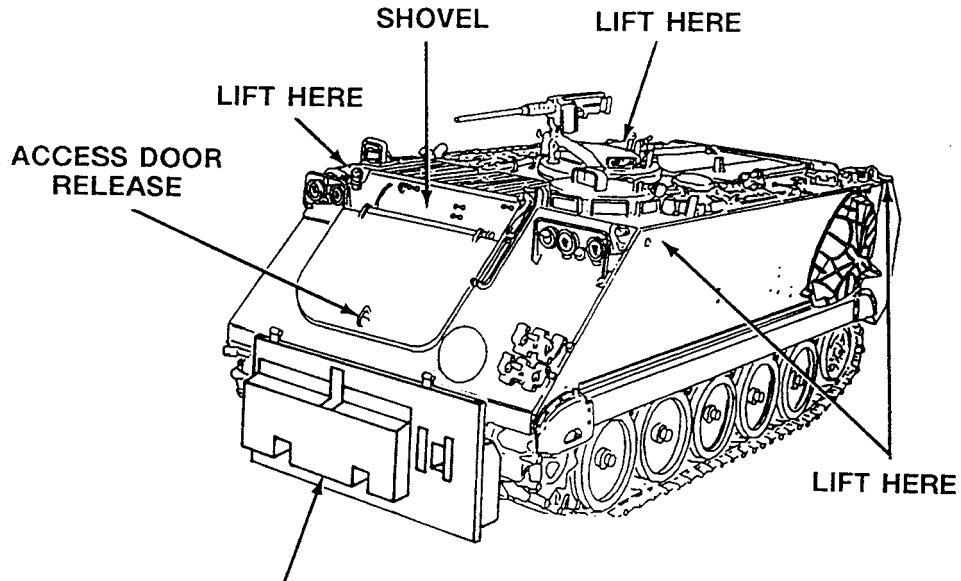
Engine stopped (see your -10)

Carrier blocked (see your -10)

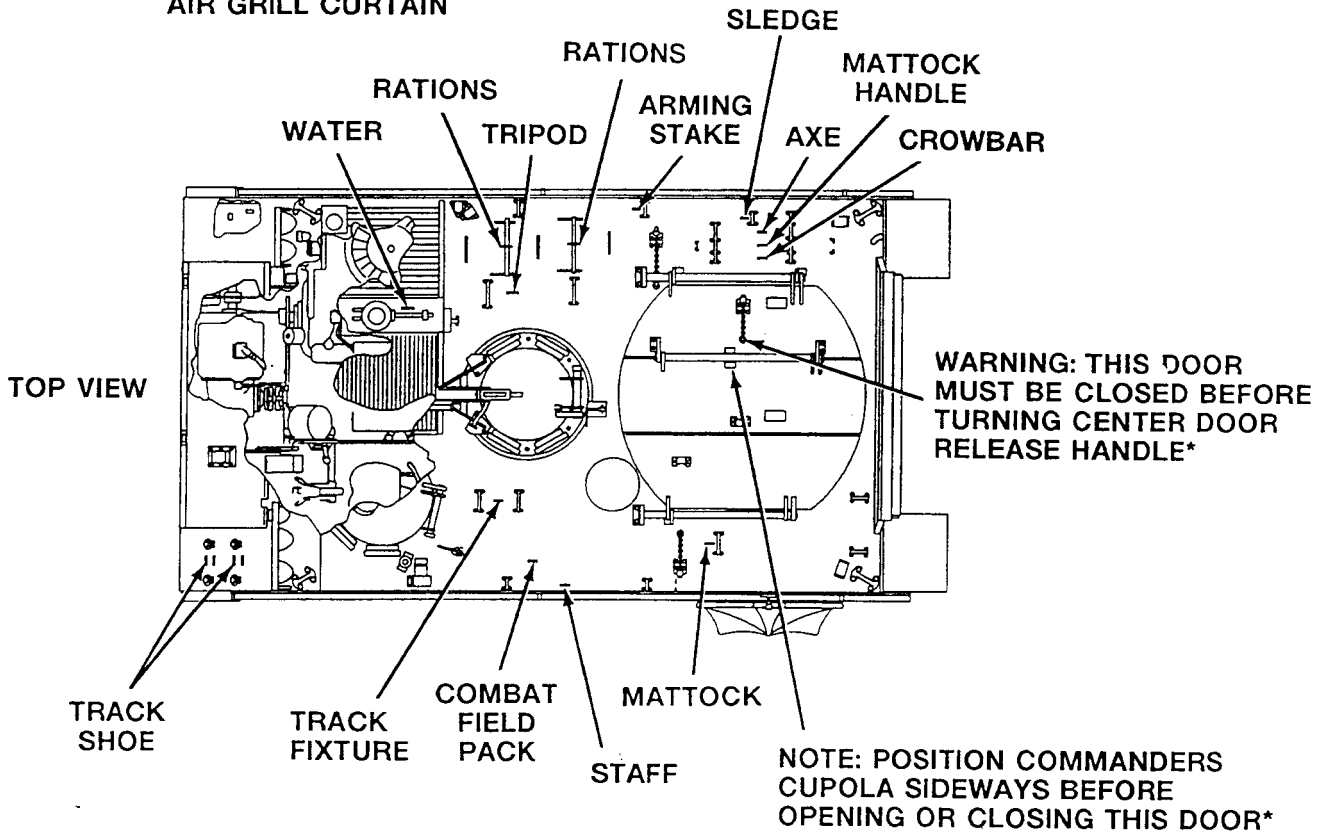
INSPECTION OF INSTALLED ITEMS

This task shows the location of stencils on the M1064A3 carrier. To replace stencils, see WP 0654 00.





CHECK FOR WATER OPERATION
 DRAIN PLUGS
 BILGE PUMPS
 HATCHES
 LOAD DISTRIBUTION
 TRACK SHROUDS
 AIR GRILL CURTAIN



*STENCIL INSIDE OF MORTAR DOOR

END OF TASK

STENCILS (M1068A3 ONLY)

0642 00

THIS WORK PACKAGE COVERS:

Inspection of Installed Items (page 0642 00-1).

INITIAL SETUP:

Maintenance Level

Unit

References

See your -10

Personnel Required

Unit Mechanic

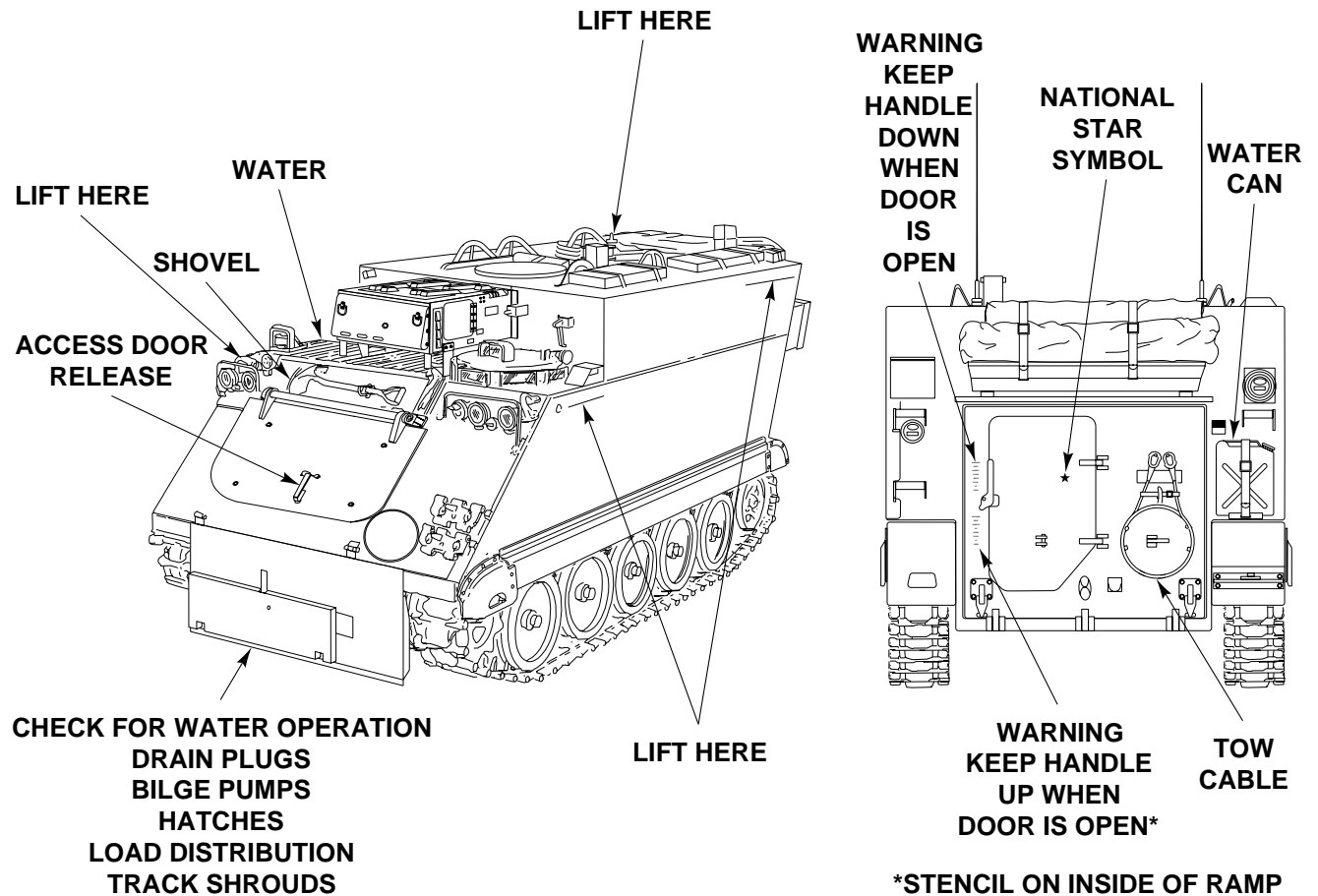
Equipment Condition

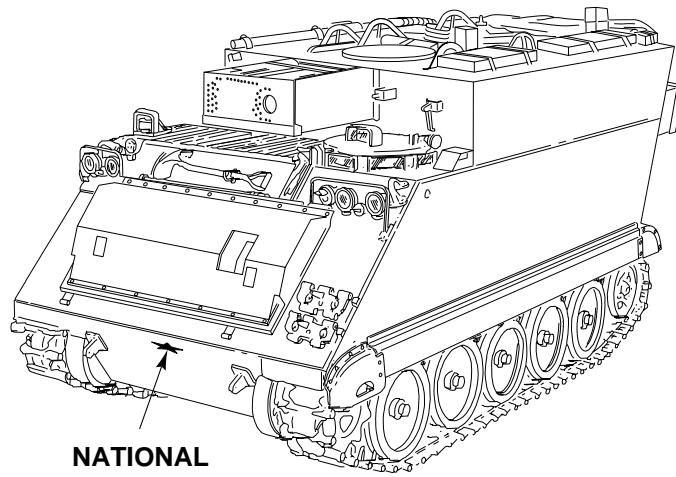
Engine stopped (see your -10)

Carrier blocked (see your -10)

INSPECTION OF INSTALLED ITEMS

This task shows the location of stencils on the M1068A3 carrier. To replace stencils, see WP 0654 00.





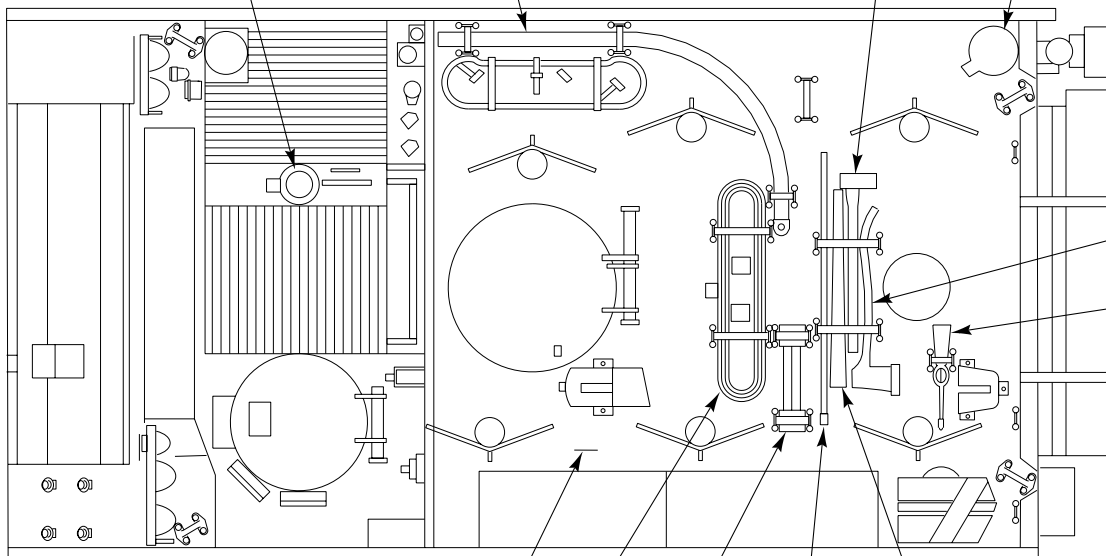
NATIONAL
SYMBOL
STAR

DAVIT
(USE WITH 4.2 KW
GENERATOR SET ONLY)

DIESEL
FUEL

WATER

SLEDGE



AXE

MATTOCK

CABLE

CROWBAR

ANTENNA

TRACK
FIXTURE

MATTOCK
HANDLE

END OF TASK

STENCILS (M58 ONLY)

0643 00

THIS WORK PACKAGE COVERS:

Inspection of Installed Items (page 0643 00-2).

INITIAL SETUP:

Maintenance Level

Unit

References

See your -10

Personnel Required

Unit Mechanic

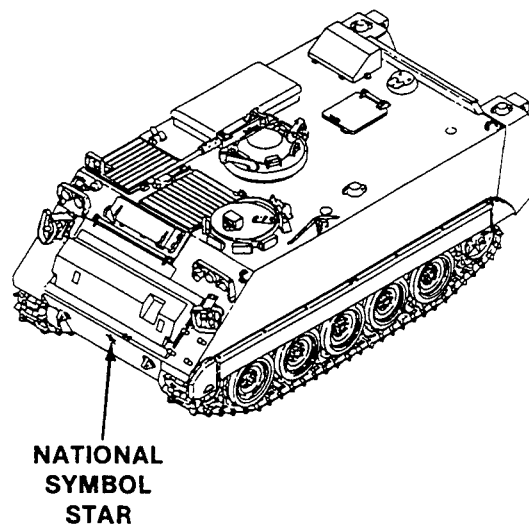
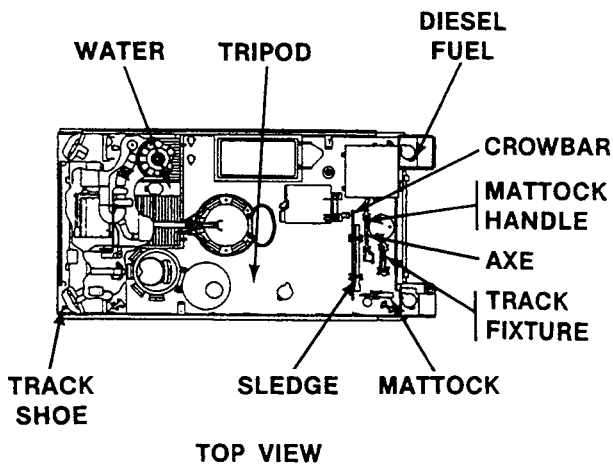
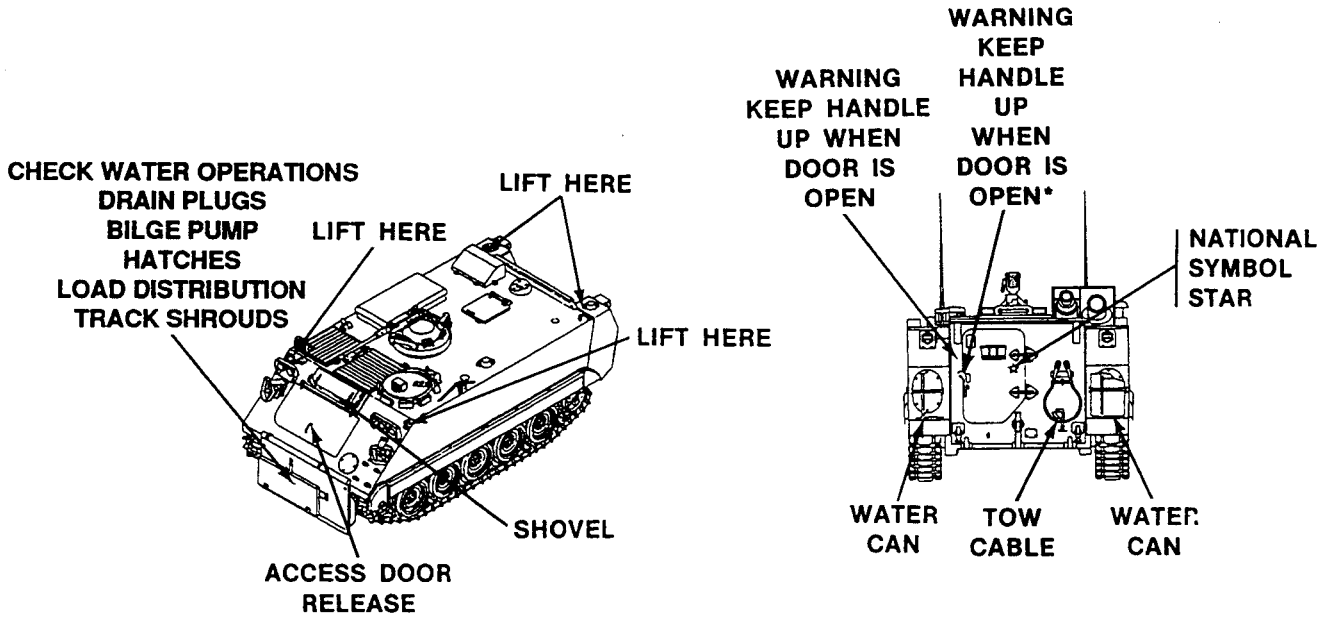
Equipment Condition

Engine stopped (see your -10)

Carrier blocked (see your -10)

INSPECTION OF INSTALLED ITEMS

This task shows the location of stencils on the M58 carrier. To replace stencils, see WP 0654 00.



*Stencil on inside of ramp

END OF TASK

DATAPLATES, DECALS, AND MARKERS (ALL MODELS)

0644 00

THIS WORK PACKAGE COVERS:

Inspection of Installed Items (page 0644 00-2).

INITIAL SETUP:

Maintenance Level

Unit

References

See your -10

Personnel Required

Unit Mechanic

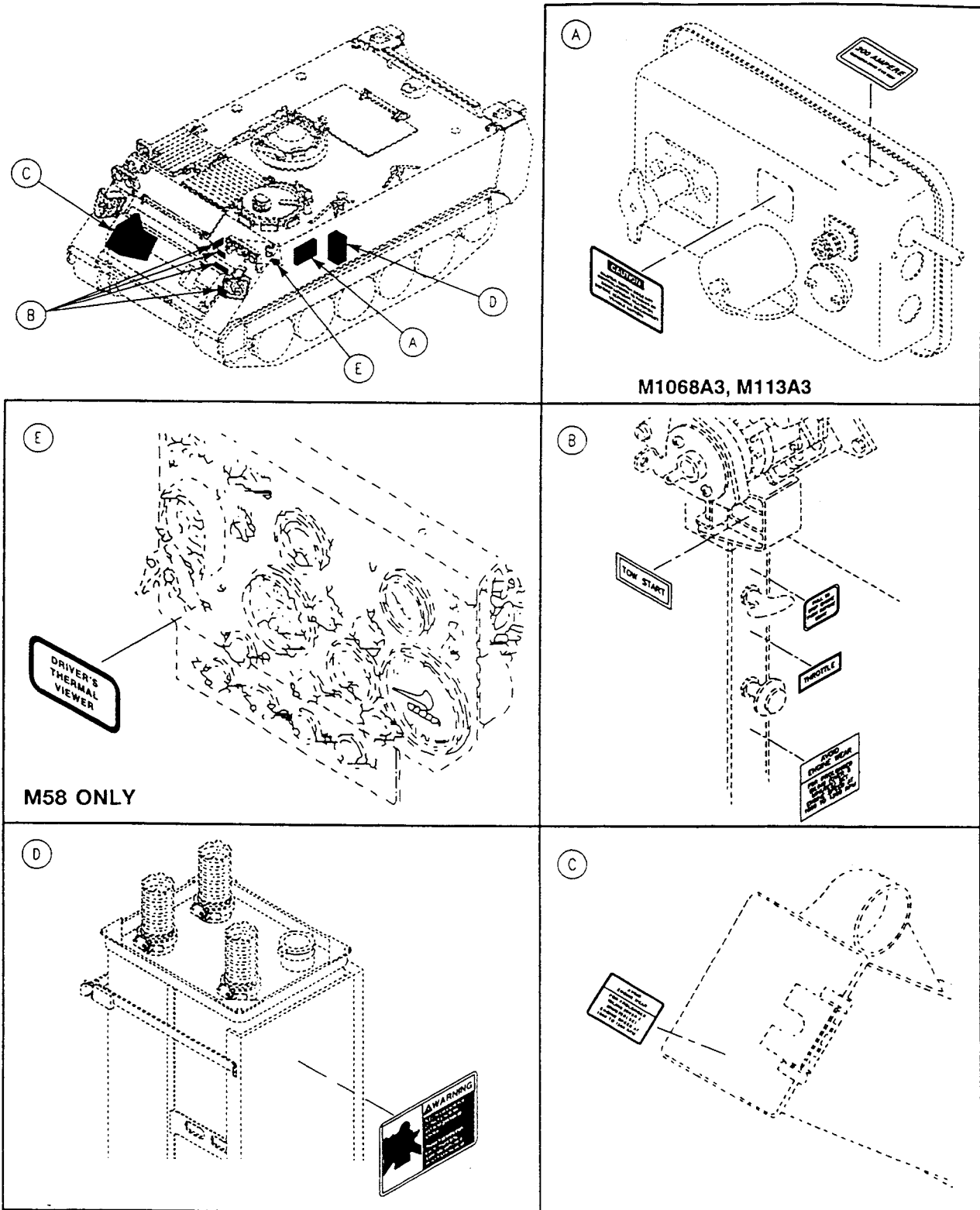
Equipment Condition

Engine stopped (see your -10)

Carrier blocked (see your -10)

INSPECTION OF INSTALLED ITEMS

This task shows the location of dataplates, decals, and markers on all the carrier models. To replace dataplates, decals, and markers, see WP 0654 00.



DATAPLATES, DECALS, AND MARKERS (M113A3, M901A3, M981A3, M1059A3 ONLY)

0645 00

THIS WORK PACKAGE COVERS:

Inspection of Installed Items (page 0645 00-2).

INITIAL SETUP:

Maintenance Level

Unit

References

See your -10

Personnel Required

Unit Mechanic

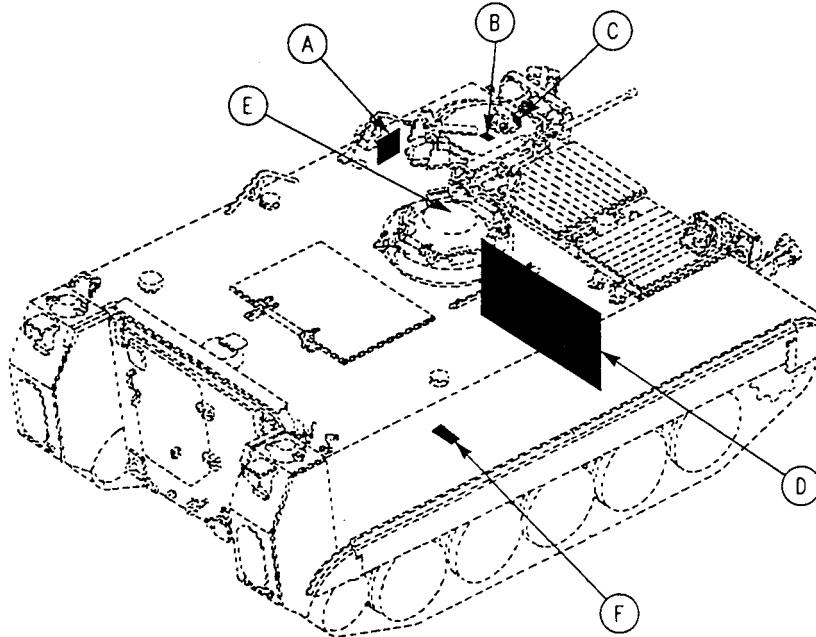
Equipment Condition

Engine stopped (see your -10)

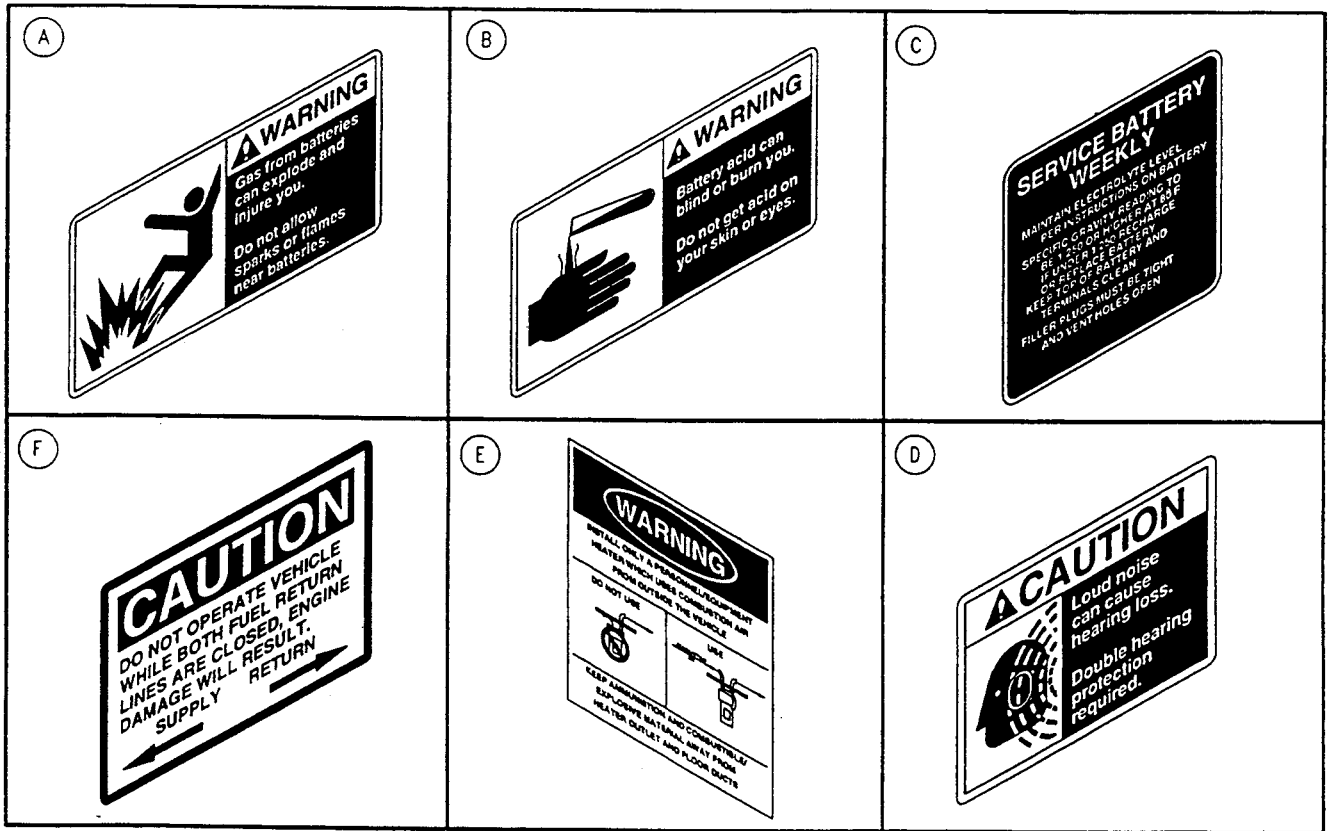
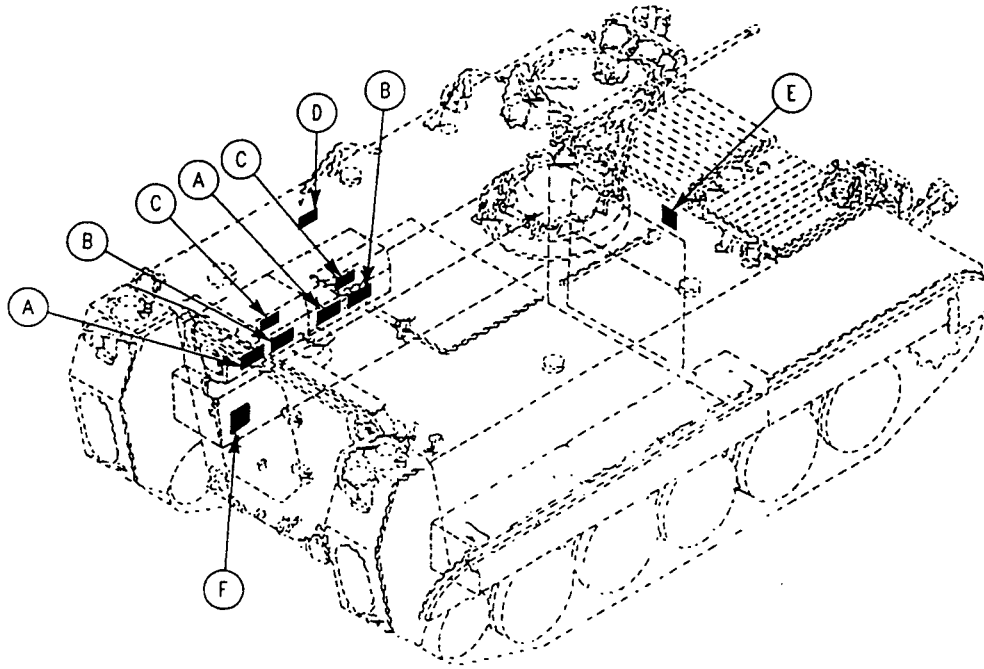
Carrier blocked (see your -10)

INSPECTION OF INSTALLED ITEMS

This task shows the location of dataplates, decals, and markers on the M113A3, M901A3, M981A3, M1059A3 carriers. To replace dataplates, decals, and markers, see WP 0654 00.



<p>(A)</p>	<p>(B)</p>	<p>(C)</p> <p>M981A3, M901A3</p>
<p>(F)</p> <p>M981A3</p>	<p>(E)</p> <p>M113A3</p>	<p>(D)</p>



END OF TASK

DATAPLATES, DECALS, AND MARKERS (M113A3, M901A3, M1059A3, M58 ONLY) 0646 00

THIS WORK PACKAGE COVERS:

Inspection of Installed Items (page 0646 00-1).

INITIAL SETUP:

Maintenance Level

Unit

References

See your -10

Personnel Required

Unit Mechanic

Equipment Condition

Engine stopped (see your -10)

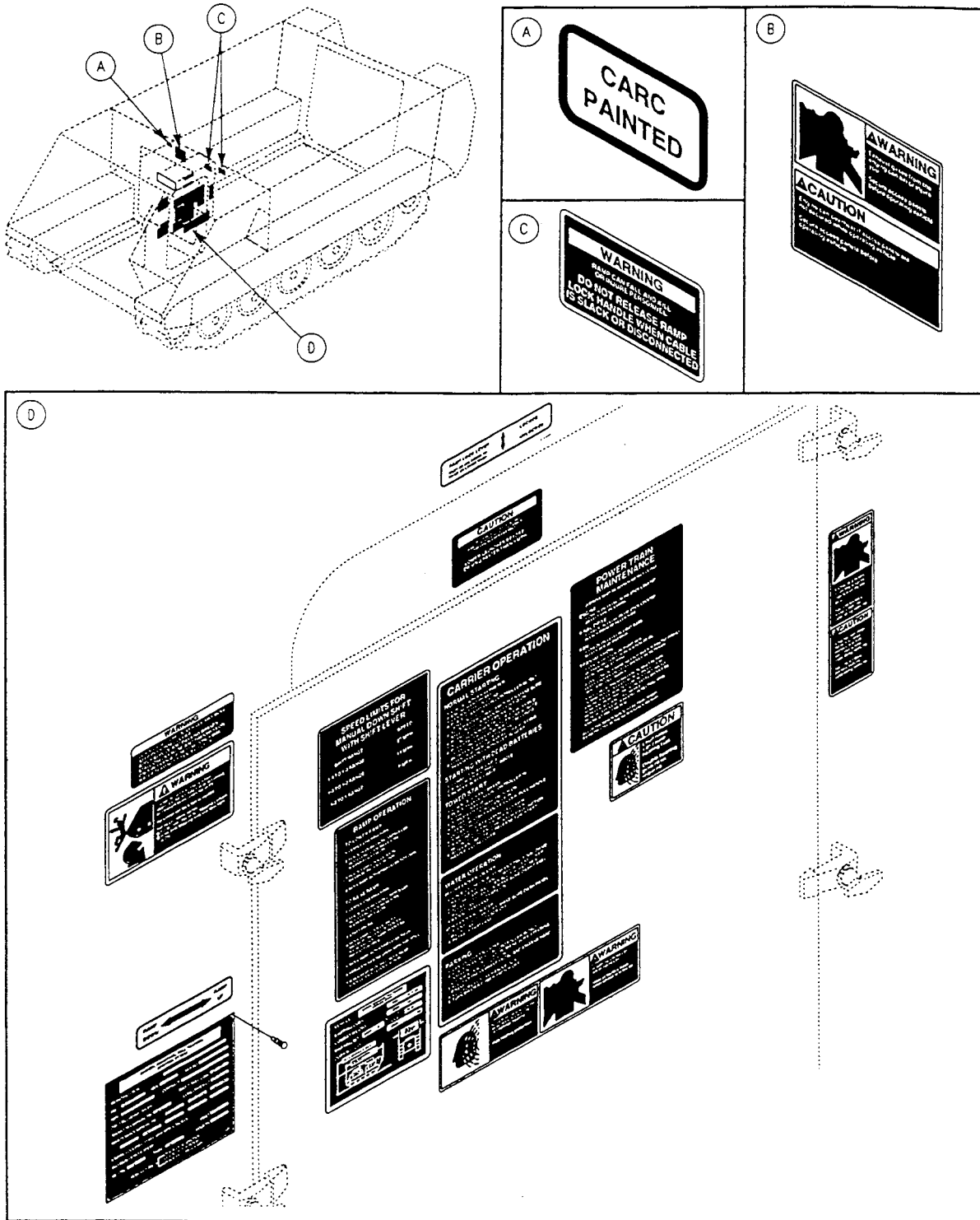
Carrier blocked (see your -10)

INSPECTION OF INSTALLED ITEMS

This task shows the location of dataplates, decals, and markers on the M113A3, M901A3, M981A3, M1059A3, M58 carriers. To replace dataplates, decals, and markers, see WP 0654 00.

DATA PLATES, DECALS, AND MARKERS (M113A3, M901A3, M1059A3, M58 ONLY) —
Continued

0646 00



END OF TASK

DATAPLATES, DECALS, AND MARKERS (M113A3, M1059A3 ONLY)

0647 00

THIS WORK PACKAGE COVERS:

Inspection of Installed Items (page 0647 00-1).

INITIAL SETUP:

Maintenance Level

Unit

References

See your -10

Personnel Required

Unit Mechanic

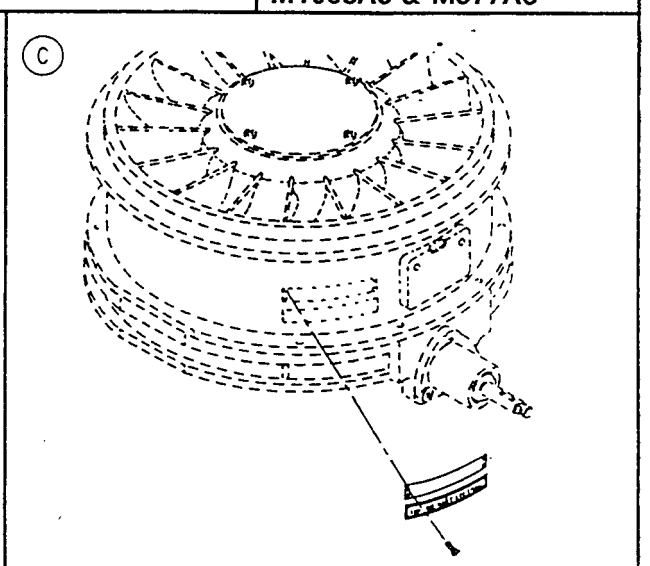
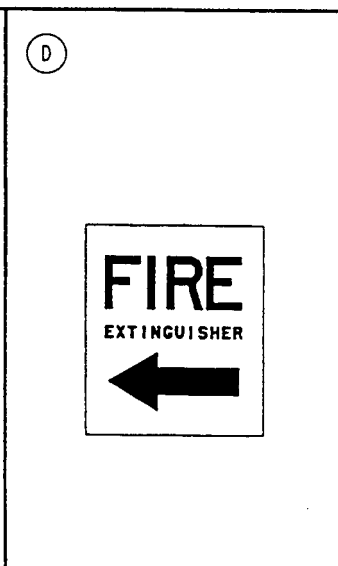
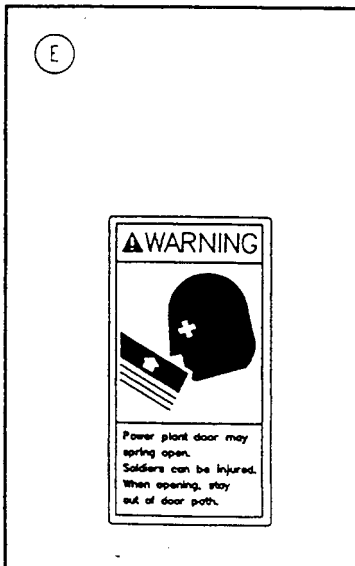
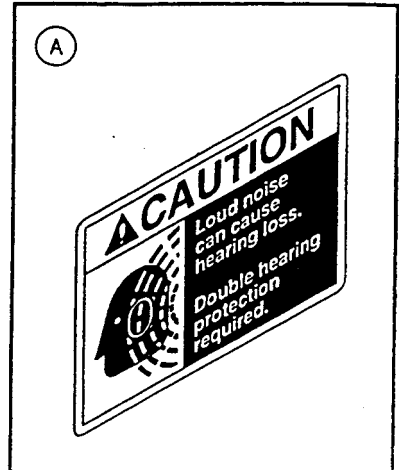
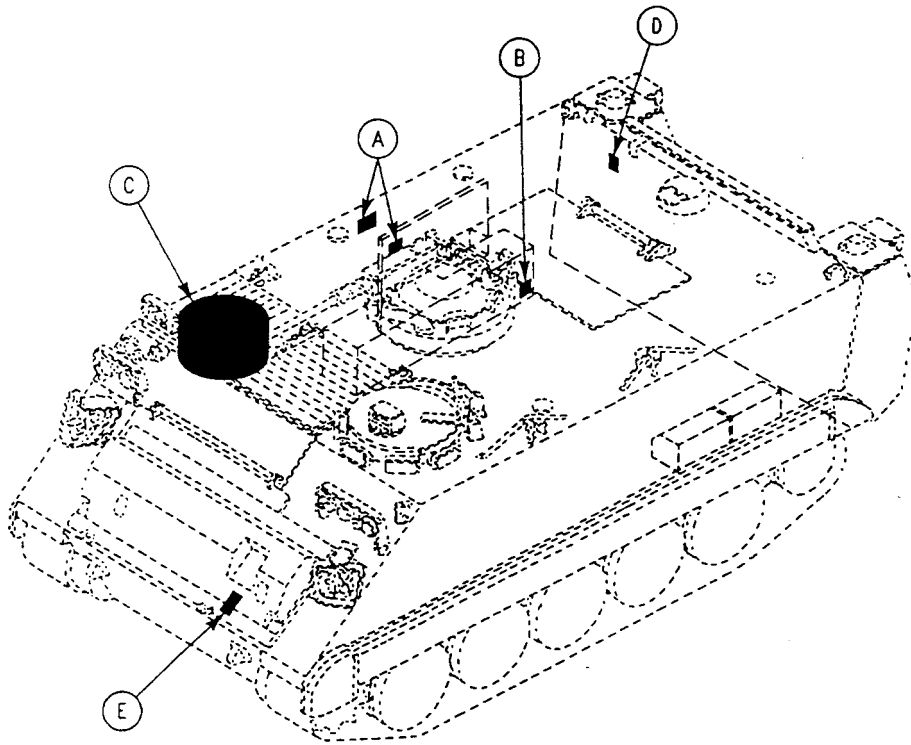
Equipment Condition

Engine stopped (see your -10)

Carrier blocked (see your -10)

INSPECTION OF INSTALLED ITEMS

This task shows the location of dataplates, decals, and markers on the M113A3 and M1059A3 carriers. To replace dataplates, decals, and markers, see WP 0654 00.



END OF TASK

DATAPLATES, DECALS, AND MARKERS (M577A3, M1068A3 ONLY)

0648 00

THIS WORK PACKAGE COVERS:

Inspection of Installed Items (page 0648 00-1).

INITIAL SETUP:

Maintenance Level

Unit

References

See your -10

Personnel Required

Unit Mechanic

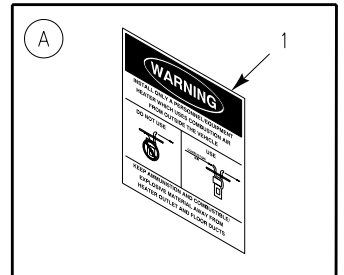
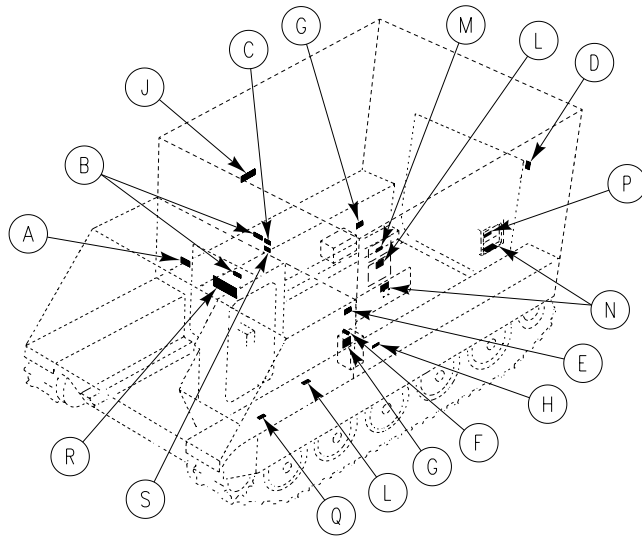
Equipment Condition

Engine stopped (see your -10)

Carrier blocked (see your -10)

INSPECTION OF INSTALLED ITEMS

This task shows the location of dataplates, decals, and markers on the M577A3 and M1068A3 carriers. To replace dataplates, decals, and markers, see WP 0654 00.



<p>(L) 11</p>	<p>(M) 12</p>	<p>(N) 13</p>	<p>(B) 2</p>
<p>(K) 10</p>	<p>(S) 17</p>	<p>(P) 14</p>	<p>(C) 3</p>
<p>(J) 9</p>	<p>(R) 16</p>	<p>(Q) 15</p>	<p>(D) 4</p>
<p>(H) 8</p>	<p>(G) 7</p>	<p>(F) 6</p>	<p>(E) 5</p>

END OF TASK

DATAPLATES, DECALS, AND MARKERS (M901A3 ONLY)

0649 00**THIS WORK PACKAGE COVERS:**

Inspection of Installed Items (page 0649 00-1).

INITIAL SETUP:Maintenance Level

Unit

References

See your -10

Personnel Required

Unit Mechanic


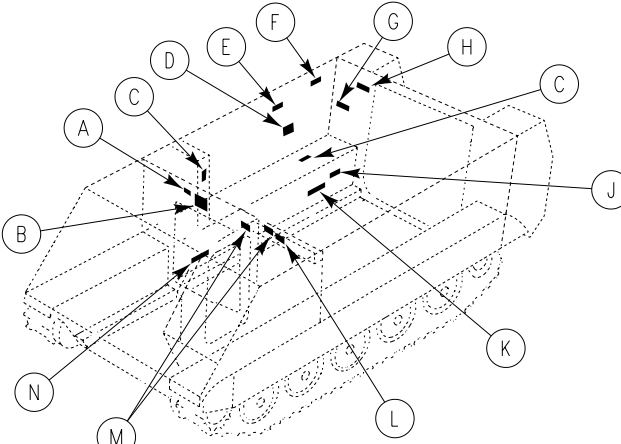
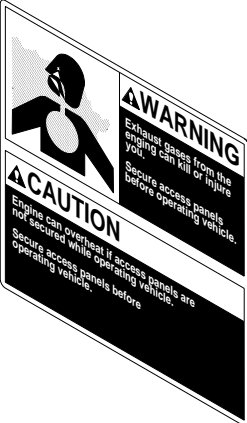





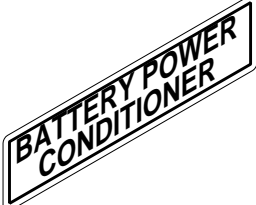



Equipment Condition

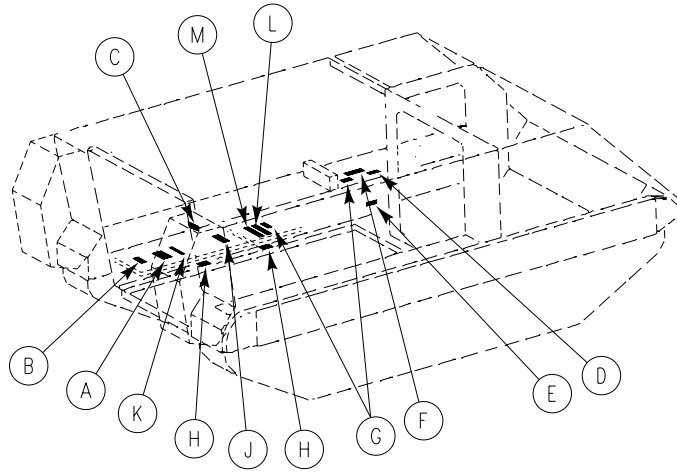
Engine stopped (see your -10)

Carrier blocked (see your -10)

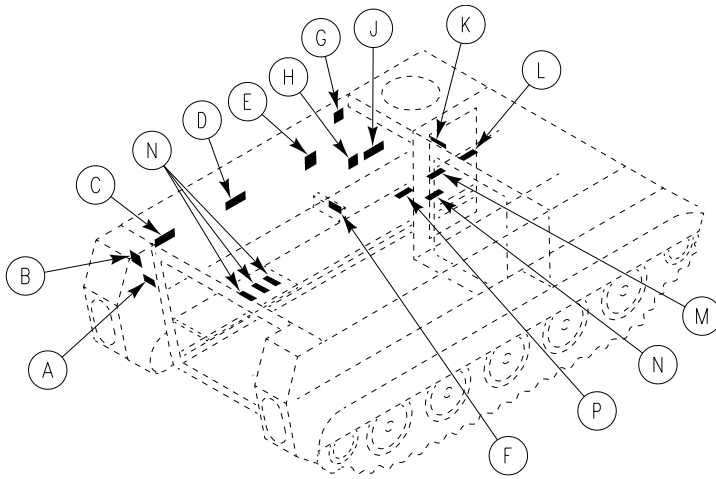
INSPECTION OF INSTALLED ITEMS


This task shows the location of dataplates, decals, and markers on the M901A3 carrier. To replace dataplates, decals, and markers, see WP 0654 00.

<p>(A)</p> 		
<p>(B)</p> 		
<p>(L)</p> 	<p>(M)</p> 	<p>(E)</p> 
<p>(K)</p> 	<p>(N)</p> 	<p>(F)</p> 
<p>(J)</p> 	<p>(H)</p> 	<p>(G)</p> 



<p>(A)</p> <p>5.56 AMMO</p>	<p>(B)</p> <p>FIRE EXTINGUISHER</p>	<p>(C)</p> <p>GRENADE, INCEND.</p>	<p>(D)</p> <p>BINOCULARS</p>
<p>(K)</p> <p>GRENADE, COLOR & H. C. SMOKE</p>	<p>(L)</p> <p>A.P. MINE M18 OR GRENADE, FRAG.</p>	<p>(M)</p> <p>TRIP FLARE OR A.P. MINE M18</p>	<p>(E)</p> <p>RATIONS</p>
<p>(J)</p> <p>7.62 AMMO OR TRIP FLARE</p>	<p>(H)</p> <p>LAW MISSILE</p>	<p>(G)</p> <p>A.P. MINE M16</p>	<p>(F)</p> <p>M158 GROUND SIGNAL</p>



<p>(A)</p> <p>TOOLS</p>	<p>(B)</p> <p>M60 EQUIP PARTS & TOOLS</p>	<p>(C)</p> <p>NIGHT SIGHT COOLANT</p>	<p>(D)</p> <p>NIGHT SIGHT COLLIMATOR</p>
<p>(M)</p> <p>7.62 AMMO</p>	<p>(N)</p> <p>TELEPHONE</p>	<p>(E)</p> <p>NIGHT SIGHT OR 7.62 AMMO</p>	
<p>(L)</p> <p>STOVE</p>	<p>(P)</p> <p>FIRST AID KIT</p>		<p>(F)</p> <p>MGS BATTERY</p>
<p>(K)</p> <p>RIFLE</p>	<p>(J)</p> <p>FLASHLIGHT</p>	<p>(H)</p> <p>TELE. CABLE</p>	<p>(G)</p> <p>CAUTION FIRE EXTINGUISHER SAFETY WIRE MUST BE INSTALLED AS SHOWN  BREAK IF TURNED 45° WIRE MUST SHAFT IS</p>

END OF TASK

DATAPLATES, DECALS, AND MARKERS (M981A3 ONLY)

0650 00

THIS WORK PACKAGE COVERS:

Inspection of Installed Items (page 0650 00-1).

INITIAL SETUP:

Maintenance Level

Unit

References

See your -10

Personnel Required

Unit Mechanic

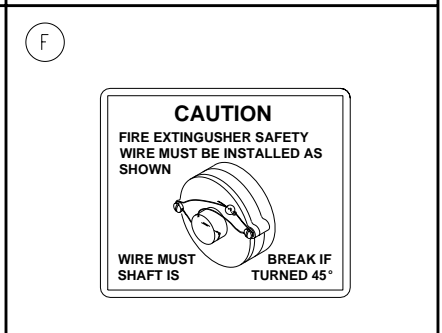
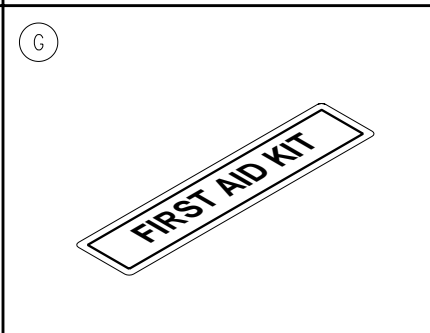
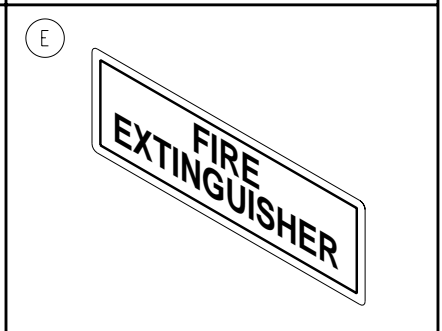
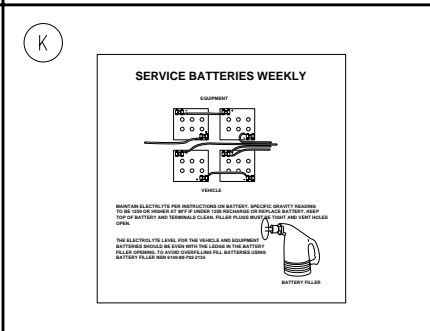
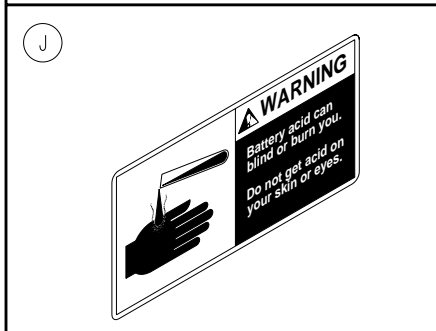
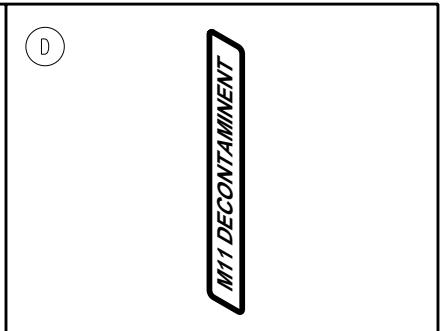
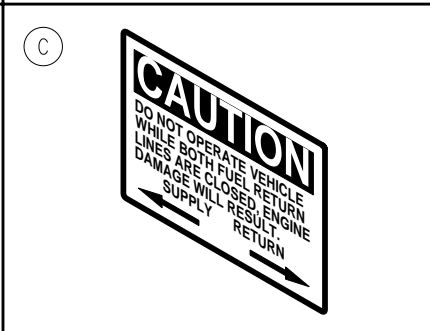
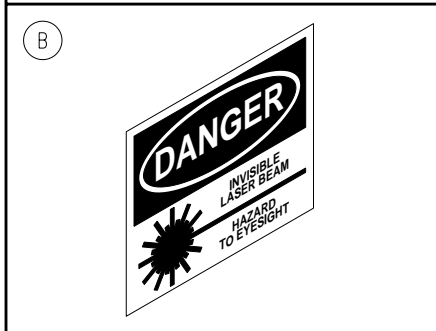
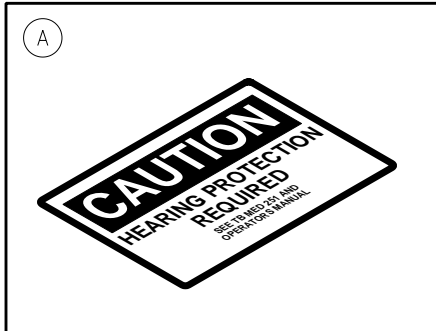
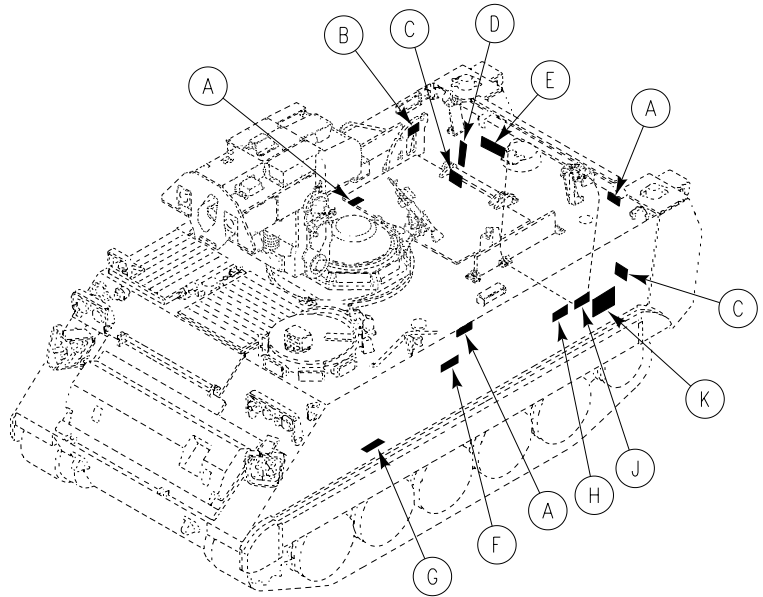
Equipment Condition

Engine stopped (see your -10)

Carrier blocked (see your -10)

INSPECTION OF INSTALLED ITEMS

This task shows the location of dataplates, decals, and markers on the M981A3 carrier. To replace dataplates, decals, and markers, see WP 0654 00.



END OF TASK

DATAPLATES, DECALS, AND MARKERS (M1059A3 ONLY)

0651 00**THIS WORK PACKAGE COVERS:**

Inspection of Installed Items (page 0651 00-1).

INITIAL SETUP:Maintenance Level

Unit

References

See your -10

Personnel Required

Unit Mechanic

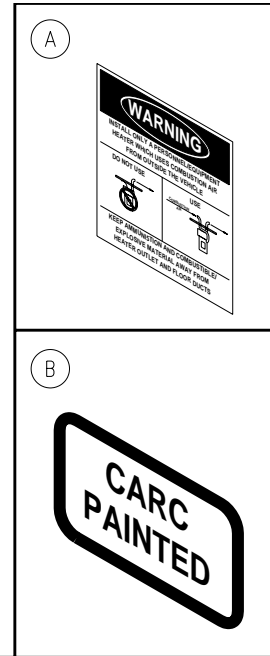
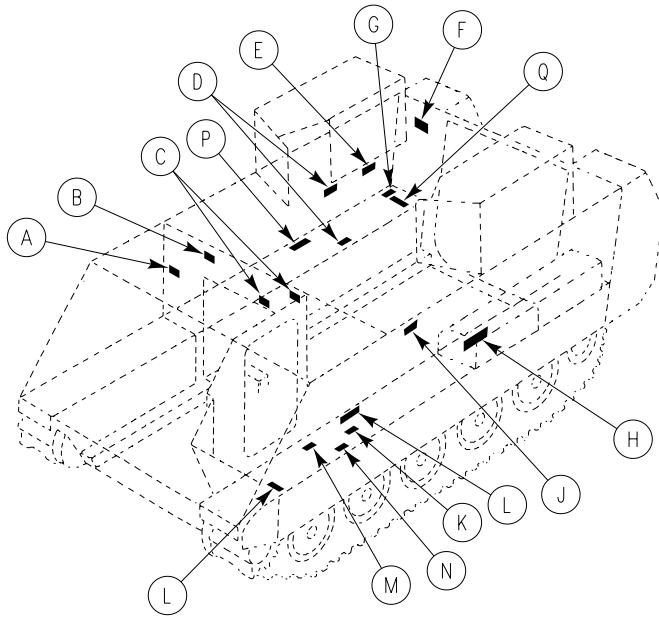
Equipment Condition

Engine stopped (see your -10)

Carrier blocked (see your -10)

INSPECTION OF INSTALLED ITEMS

This task shows the location of dataplates, decals, and markers on the M1059A3 carrier. To replace dataplates, decals, and markers, see WP 0654 00.



<p>L</p>	<p>M</p>	<p>N</p>	<p>P</p>	<p>C</p>
<p>K</p>	<p>Q</p>	<p>D</p>		
<p>J</p>	<p>H</p>	<p>G</p>	<p>F</p>	<p>E</p>

END OF TASK

DATAPLATES, DECALS, AND MARKERS (M1064A3 ONLY)

0652 00**THIS WORK PACKAGE COVERS:**

Inspection of Installed Items (page 0652 00-1).

INITIAL SETUP:Maintenance Level

Unit

References

See your -10

Personnel Required

Unit Mechanic

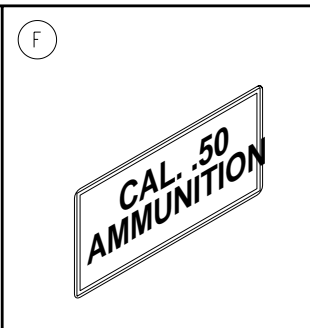
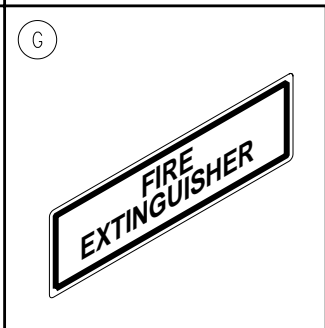
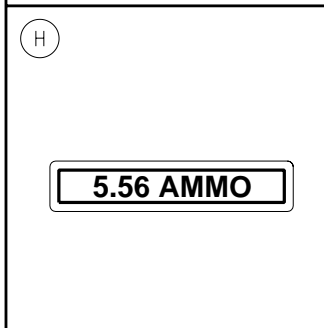
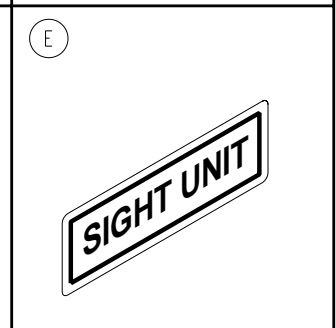
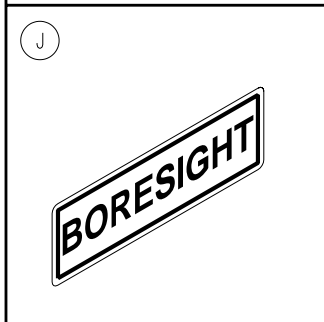
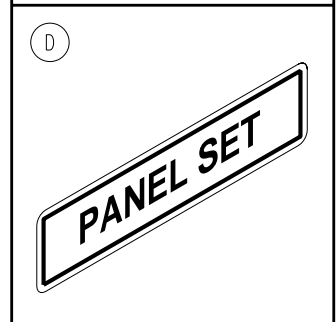
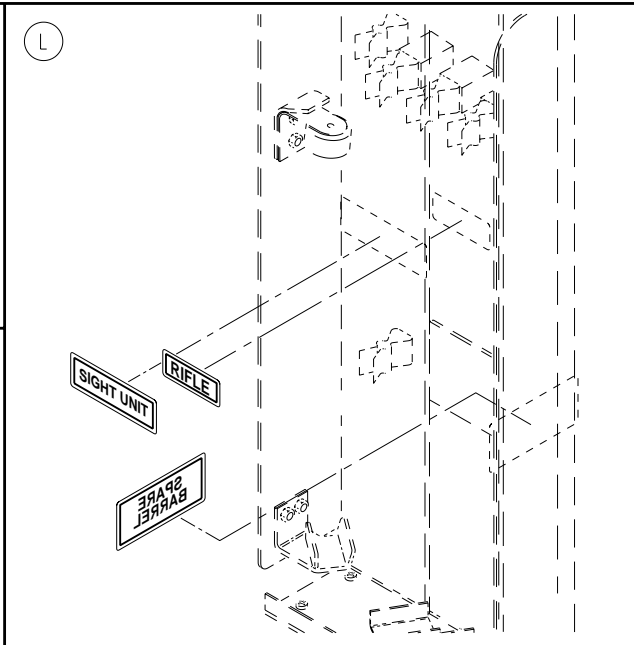
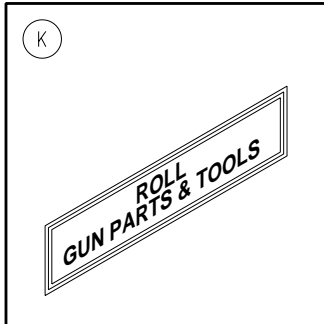
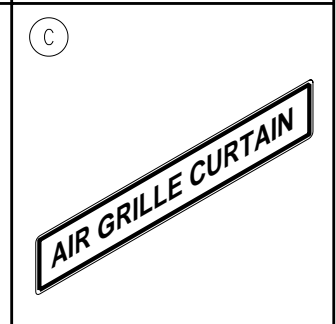
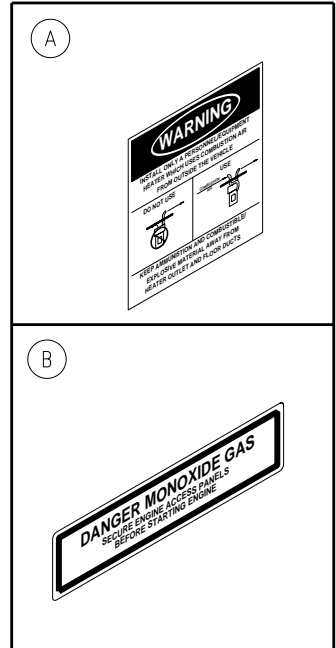
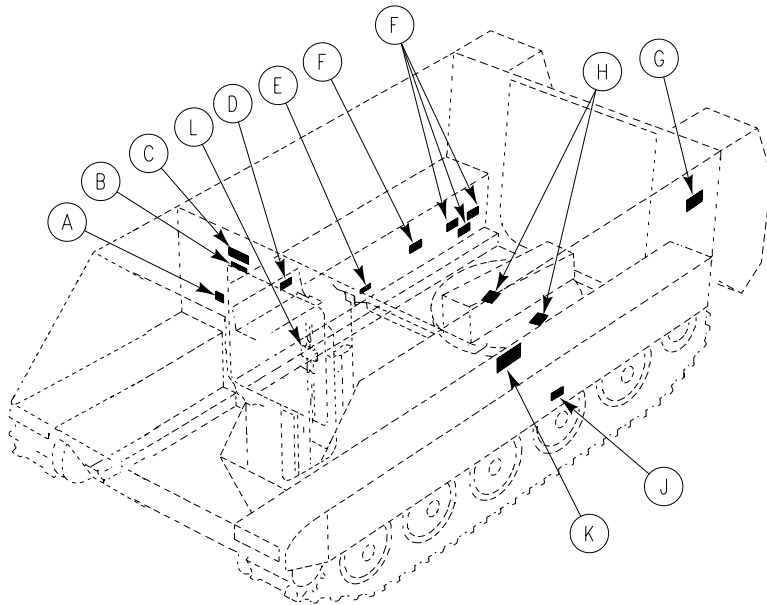
Equipment Condition

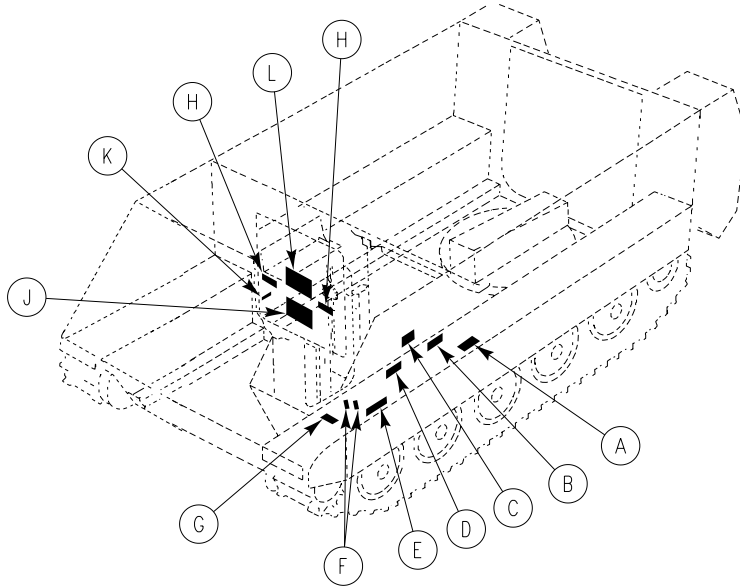
Engine stopped (see your -10)












Carrier blocked (see your -10)

INSPECTION OF INSTALLED ITEMS

This task shows the location of dataplates, decals, and markers on the M1064A3 carrier. To replace dataplates, decals, and markers, see WP 0654 00.





<p>(A)</p> 	<p>(B)</p> 	<p>(C)</p> 	<p>(D)</p> 
<p>(K)</p> 	<p>(L)</p> 	<p>(E)</p> 	
<p>(J)</p> 	<p>(H)</p> 	<p>(G)</p> 	<p>(F)</p> 

END OF TASK

DATAPLATES, DECALS, AND MARKERS (M58 ONLY)

0653 00

THIS WORK PACKAGE COVERS:

Inspection of Installed Items (page 0653 00-1).

INITIAL SETUP:

Maintenance Level

Unit

References

See your -10

Personnel Required

Unit Mechanic

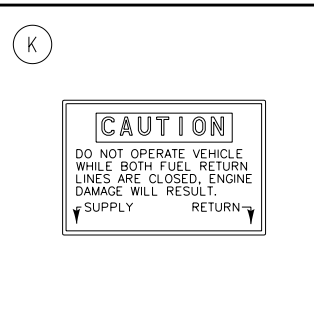
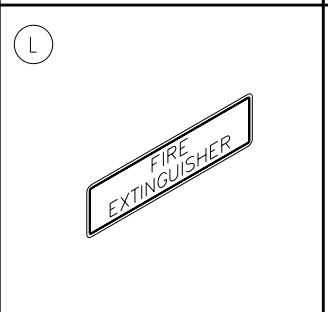
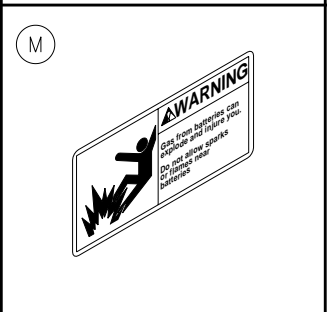
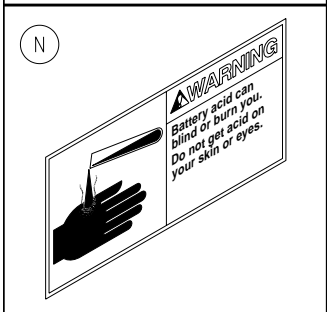
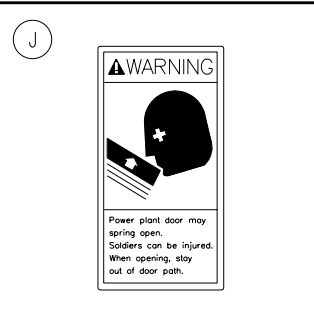
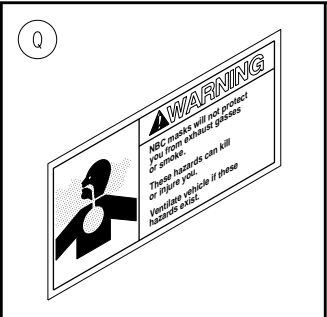
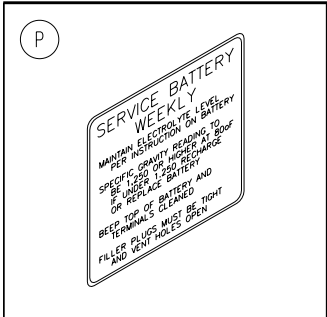
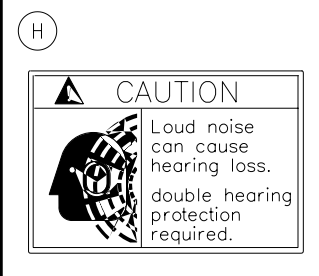
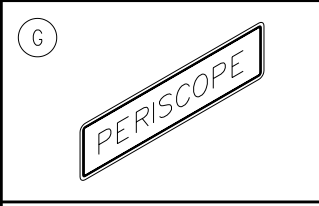
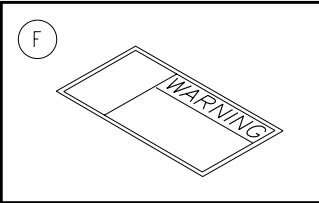
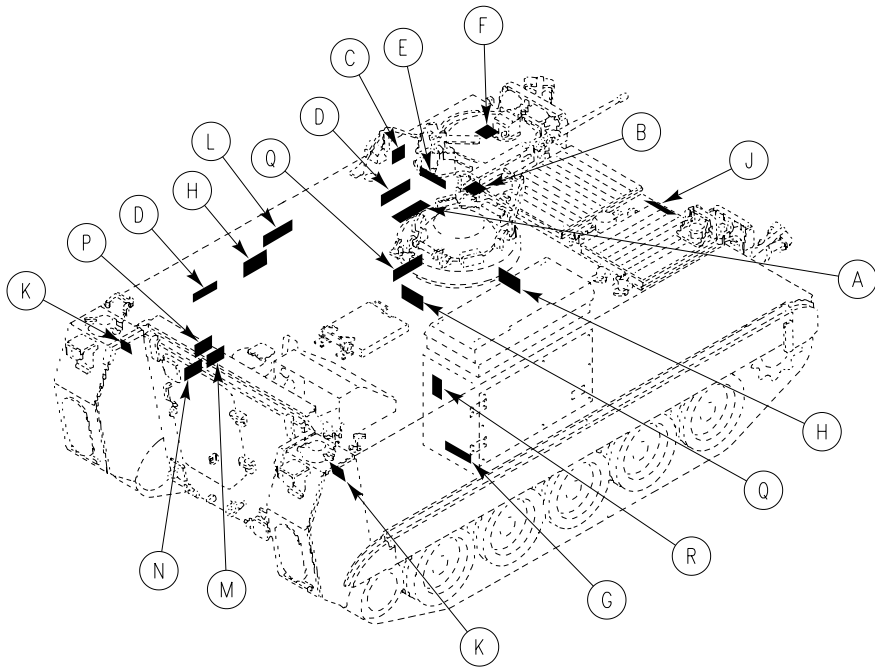
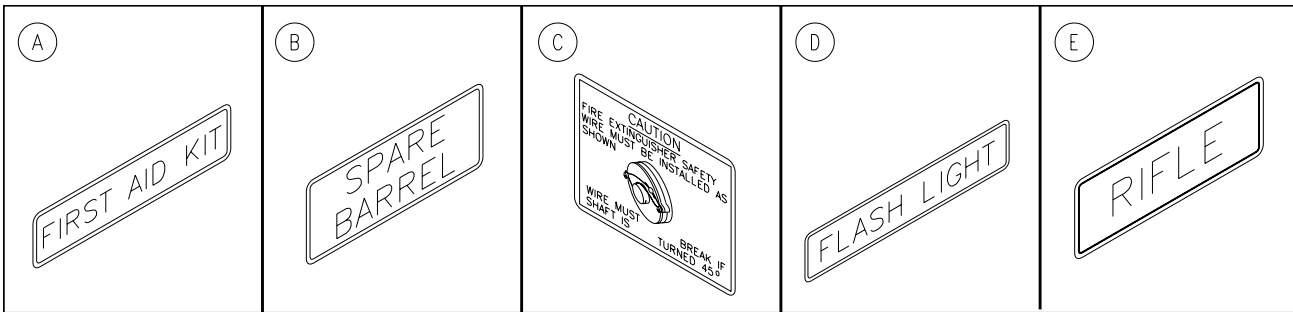
Equipment Condition

Engine stopped (see your -10)

Carrier blocked (see your -10)

INSPECTION OF INSTALLED ITEMS

This task shows the location of dataplates, decals, and markers on the M58 carrier. To replace dataplates, decals, and markers, see WP 0654 00.



END OF TASK

REPLACE DATAPLATES, STENCILS, MARKERS, AND DECALS

0654 00

THIS WORK PACKAGE COVERS:

- Removal (page 0654 00-2).
- Cleaning (page 0654 00-2).
- Installation (page 0654 00-3).

INITIAL SETUP:

Maintenance Level

Unit

Personnel Required

Unit Mechanic

Tools and Special Tools

General Mechanic's Tool Kit (WP 0926 00, Item 65)

References

See your -10
TM 43-0139

Materials/Parts

Cleaning compound (WP 0928 00, Item 19)
Drive screw (as needed)

Equipment Condition

Engine stopped (see your -10)
Carrier blocked (see your -10)

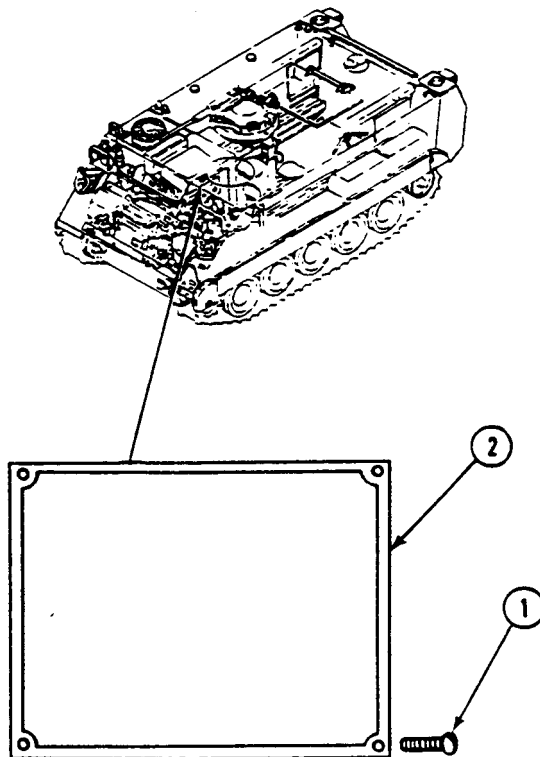
REMOVAL**NOTE**

Dataplates and markers should be cleaned or replaced when they become too hard to read.

NOTE

Dataplates are secured to bulkheads with drive screws.

1. Remove heads of drive screws (1) from dataplate (2). Remove dataplate from hull.
2. Remove hard to read stencils with cleaning compound.
3. Remove hard to read or damaged markers and decals by scraping.

**CLEANING**

1. Clean hull surface where dataplate, stencil, marker, or decal is to be applied with cleaning compound.

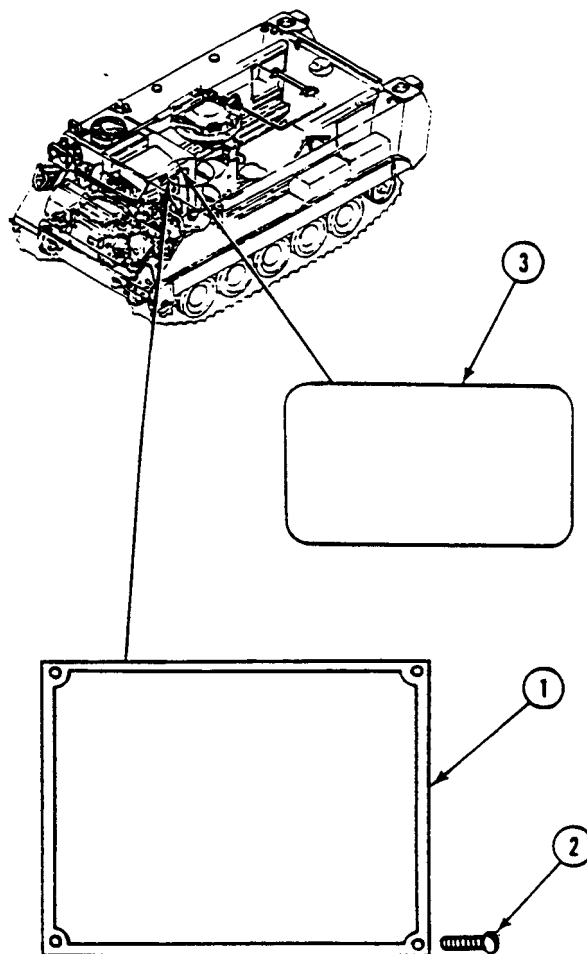
INSTALLATION

1. Place old dataplate on hull so that holes in plate do NOT align with holes in hull. Using old dataplate as a template, drill four new holes.
2. Align new dataplate (1) with four new holes. Secure dataplate to hull with four new drive screws (2).

NOTE

If carrier identification plate is being replaced, make sure replacement dataplate contains data that belongs to specific carrier.

3. Check applicable stencil chart (see Table of Contents) for location of stencil, and paint new stencil TM 43-0139.
4. Check applicable decal and marker chart (see Table of Contents) for location of decal or marker (3). Remove backing from decal or marker and press on surface.

**END OF TASK**

CHAPTER 19

UNIT MAINTENANCE INSTRUCTIONS
FOR HYDRAULIC SYSTEM

WORK PACKAGE INDEX

<u>Title</u>	<u>Sequence No.</u>
REPLACE RAMP HYDRAULIC PUMP.....	.0655 00
REPLACE RAMP CYLINDER.....	.0656 00
REPLACE WIRE ROPE AND PULLEYS (ALL EXCEPT M1064A3).....	.0657 00
REPLACE WIRE ROPE AND PULLEYS (M1064A3 ONLY).....	.0658 00
REPLACE RAMP CONTROL VALVE (WITH EXTERNAL RELIEF VALVE) AND FITTINGS.....	.0659 00
REPLACE RAMP CONTROL VALVE, EXTERNAL RELIEF VALVE, AND FITTINGS WITH RAMP CONTROL VALVE (INTERNAL RELIEF VALVE).....	.0660 00
REPLACE RAMP CONTROL VALVE (WITH INTERNAL RELIEF VALVE) AND FITTINGS.....	.0661 00
REPLACE SAFETY RELIEF VALVE, TUBE, HOSE, AND FITTINGS.....	.0662 00
REPLACE RAMP CONTROL VALVE HOSE AND ELBOW.....	.0663 00
REPLACE TUBE FROM RAMP CONTROL VALVE TO BULKHEAD.....	.0664 00
REPLACE HOSE FROM BULKHEAD CONNECTION TO RAMP CYLINDER.....	.0665 00
REPLACE RAMP CYLINDER BREATHER HOSE (ALL EXCEPT M1064A3).....	.0666 00
REPLACE RAMP CYLINDER BREATHER HOSE (M1064A3 ONLY).....	.0667 00
REPLACE POWER PLANT HYDRAULIC HOSES.....	.0668 00
SERVICE HYDRAULIC RESERVOIR.....	.0669 00
SERVICE HYDRAULIC RESERVOIR BREATHER.....	.0670 00
REPLACE HYDRAULIC RESERVOIR.....	.0671 00
REPAIR HYDRAULIC RESERVOIR.....	.0672 00

REPLACE RAMP HYDRAULIC PUMP

0655 00

THIS WORK PACKAGE COVERS:

Removal (page 0655 00-2).
 Installation (page 0655 00-3).

INITIAL SETUP:

Maintenance Level

Unit

Tools and Special Tools

General Mechanic's Tool Kit (WP 0926 00, Item 65)
 Crow Foot Attachment (WP 0926 00, Item 15)
 Universal Socket (WP 0926 00, Item 51)
 Torque Wrench (WP 0926 00, Item 85)

Materials/Parts

Gasket
 Preformed packing
 Preformed packing
 Preformed packing

Personnel Required

Unit Mechanic

References

See your -10
 See your PMCS

Equipment Condition

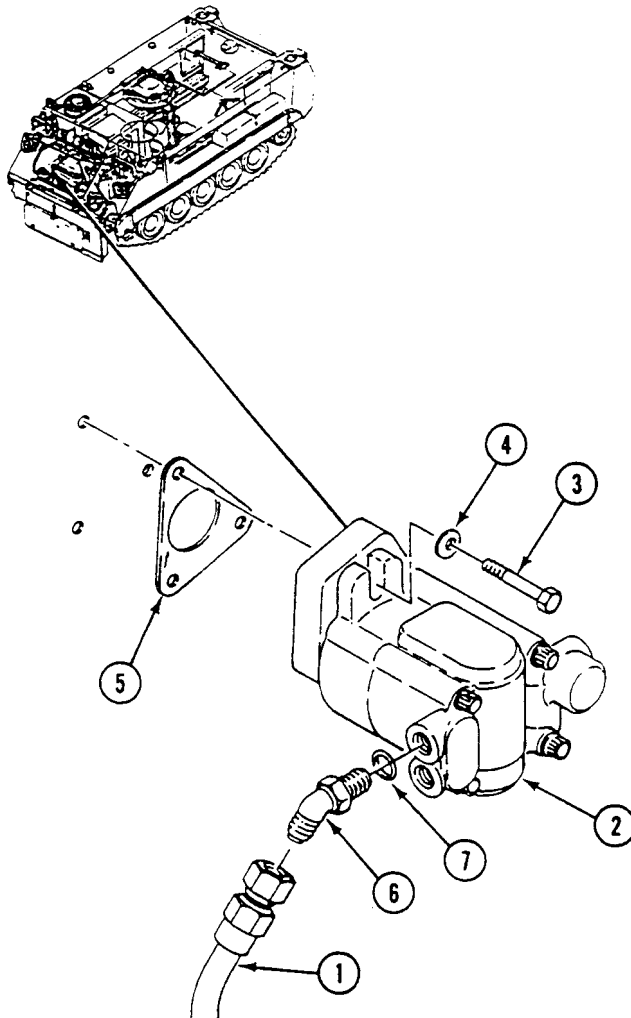
Engine stopped (see your -10)
 Carrier blocked (see your -10)
 Trim vane lowered (see your -10)
 Power plant front access door open (see your -10)
 Hydraulic reservoir drained (WP 0671 00)
 Exhaust elbows removed (WP 0221 00)
 Air cleaner removed (WP 0168 00)

REMOVAL

WARNING

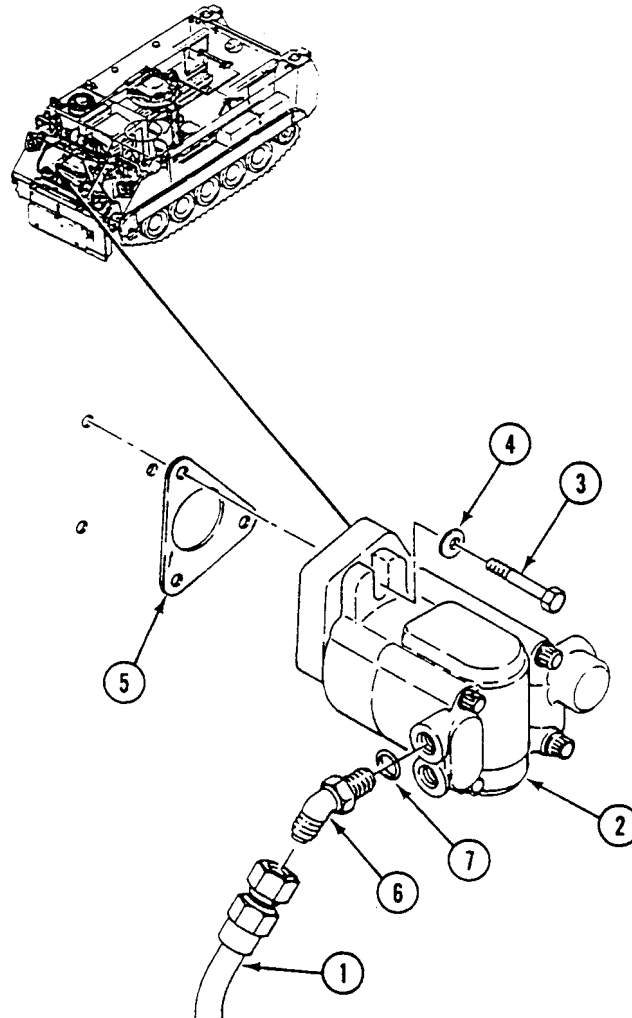
Hydraulic fluid is poisonous and can be absorbed through your skin. Wash off any hydraulic fluid that contacts your skin. Read the hydraulic fluid warning in the front of this manual.

1. Disconnect three hoses (1) from hydraulic pump (2).
2. Remove two screws (3), washers (4), hydraulic pump (2), and gasket (5) from engine. Use universal socket on inboard screw and crow foot attachment on outboard screw. Discard gasket.
3. Remove three elbows (6) and preformed packings (7) from pump (2). Discard packings.



INSTALLATION

1. Install three elbows (6) and new preformed packings (7) on hydraulic pump (2).
2. Install hydraulic pump (2) and new gasket (5) on engine. Secure with two screws (3) and washers (4). Use universal socket on inboard screw and crow foot attachment on outboard screw. **TIGHTEN SCREWS TO 25-30 LB-FT (36-41 N·m) TORQUE.**
3. Connect three hoses (1) to elbows (6) on hydraulic pump (2).



FOLLOW-THROUGH STEPS

1. Install exhaust elbows (WP 0221 00).
2. Install air cleaner (WP 0168 00).
3. Fill hydraulic reservoir (WP 0671 00).
4. Start engine (see your -10).
5. Check for leaks.
6. Raise and lower ramp several times to bleed air from system (see your -10).
7. Raise and lock ramp (see your -10).
8. Stop engine (see your -10).
9. Turn MASTER SWITCH OFF (see your -10).
10. Close power plant front access door (see your -10).
11. Raise trim vane (see your -10).

END OF TASK

REPLACE RAMP CYLINDER

0656 00

THIS WORK PACKAGE COVERS:

- Removal (page 0656 00-2).
 - Cleaning (page 0656 00-2).
 - Installation (page 0656 00-3).
-

INITIAL SETUP:

Maintenance Level

Unit

Tools and Special Tools

General Mechanic's Tool Kit (WP 0926 00, Item 65)

Materials/Parts

- Adhesive (WP 0928 00, Item 4)
- Cleaning compound (WP 0928 00, Item 19)
- FRH hydraulic fluid (WP 0928 00, Item 37)
- Cotter pin

Personnel Required

Unit Mechanic

References

- See your -10
- See your PMCS

Equipment Condition

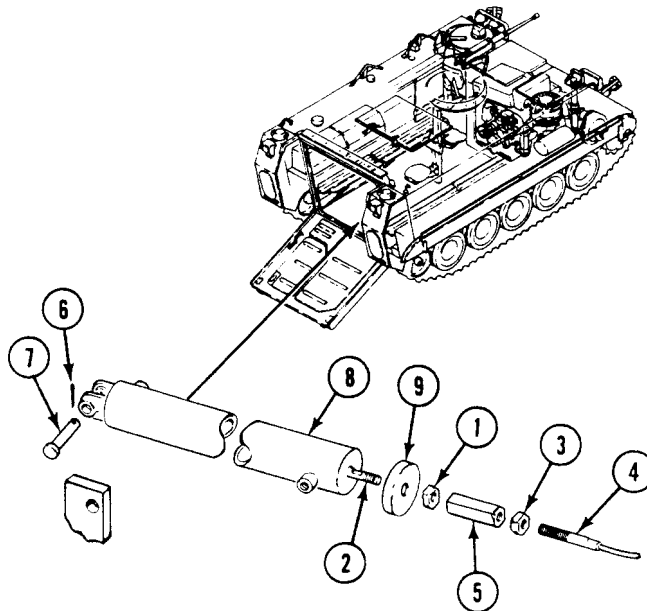
- Engine stopped (see your -10)
 - Carrier blocked (see your -10)
 - Ramp lowered (see your -10)
 - Rear floor plate removed (WP 0539 00)
 - Ramp cylinder hose disconnected (WP 0665 00)
 - Breather hose removed (WP 0666 00)
-

REMOVAL

WARNING

Hydraulic fluid is poisonous and can be absorbed through your skin. Wash off any hydraulic fluid that contacts your skin. Read the hydraulic fluid warning in the front of this manual.

1. Loosen nut (1) on cylinder rod (2). Loosen nut (3) on cable (4).
2. Turn post (5) onto cable (4) until it clears cylinder rod (2). Remove nut (1) from rod.
3. Remove post (5) and nut (3) from cable (4).
4. Remove cotter pin (6) from clevis pin (7). Discard cotter pin.
5. Remove clevis pin (7) and ramp cylinder (8) from hull bracket.
6. Remove boot (9) from cylinder (8).



CLEANING

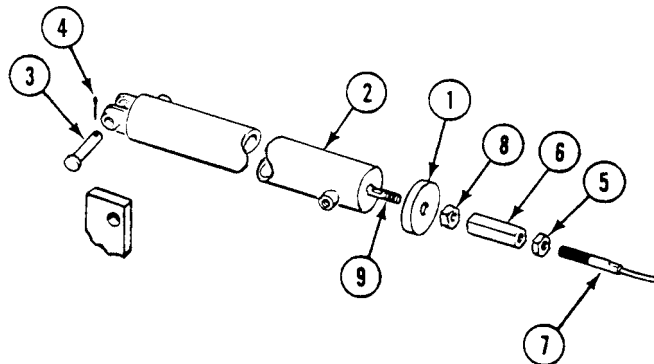
1. Clean boot mating surface on cylinder with cleaning compound.

INSTALLATION

WARNING

Hydraulic fluid is poisonous and can be absorbed through your skin. Wash off any hydraulic fluid that contacts your skin. Read the hydraulic fluid warning in the front of this manual.

1. Apply thin coat of adhesive to surfaces of boot (1) and cylinder (2). Allow adhesive to become tacky and install boot on cylinder.
2. Align cylinder (2) with hull bracket. Secure with clevis pin (3) and new cotter pin (4).
3. Install nut (5) and post (6) on cable (7).
4. Install nut (8) on cylinder rod (9).
5. Thread post (6) on cylinder rod (9). Secure with two nuts (5) and (8).



FOLLOW-THROUGH STEPS

1. Install breather hose (WP 0666 00).
2. Connect ramp cylinder hose (WP 0665 00).
3. Check fluid in tank. Add fluid as needed (see your PMCS).
4. Start engine (see your -10). Check for hydraulic leaks.

WARNING

Unlocked ramp can fall open suddenly. Personnel can be killed or injured. Do not stand behind ramp. Keep away from ramp during testing and bleeding of hydraulic lines.

5. Raise and lower ramp several times to bleed air from system (see your -10).
6. Install rear floor plate (WP 0539 00).
7. Raise and lock ramp (see your -10).

END OF TASK

REPLACE WIRE ROPE AND PULLEYS (ALL EXCEPT M1064A3)

0657 00

THIS WORK PACKAGE COVERS:

Removal (page 0657 00-1).
 Installation (page 0657 00-2).

INITIAL SETUP:

Maintenance Level

Unit

References

See your -10

Tools and Special Tools

General Mechanic's Tool Kit (WP 0926 00, Item 65)

Equipment Condition

Engine stopped (see your -10)
 Carrier blocked (see your -10)
 Ramp lowered (see your -10)
 Rear floor plate removed (WP 0539 00)
 Wire rope disconnected from ramp cylinder
 (WP 0656 00)

Materials/Parts

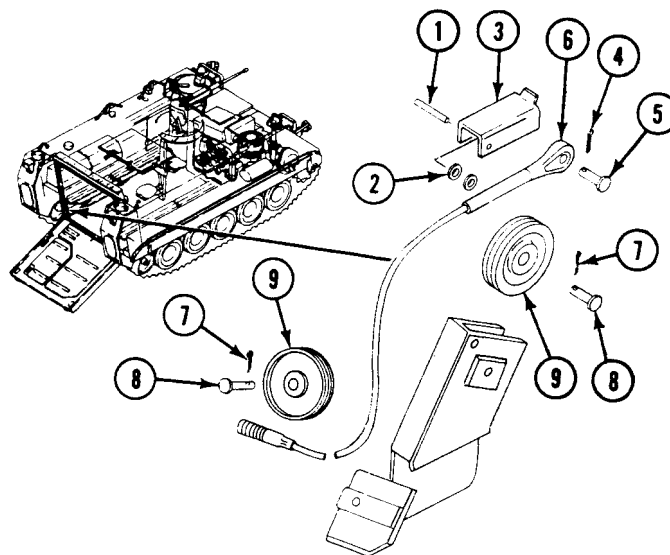
Cotter pin (3)

Personnel Required

Unit Mechanic

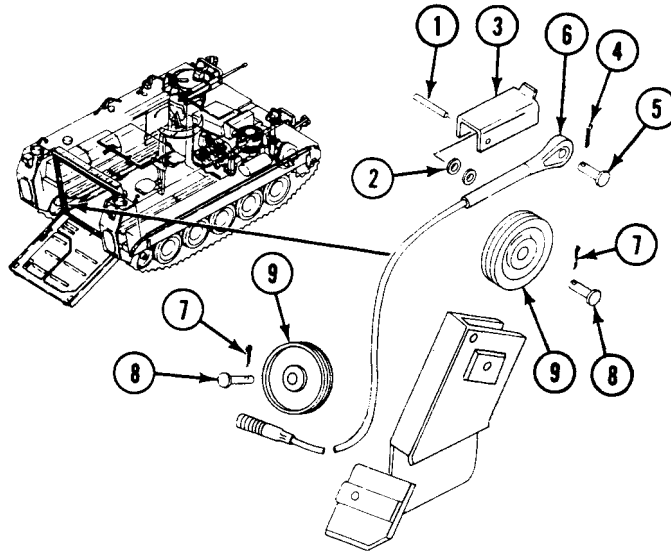
REMOVAL

1. Remove pin (1), two washers (2), and guard (3) from upper pulley mount.
2. Remove cotter pin (4), headed pin (5), and wire rope (6) from ramp mount bracket. Discard cotter pin.
3. Remove two cotter pins (7), headed pins (8), and pulleys (9) from pulley mount. Discard cotter pins.
4. Remove rope (6) from carrier.



INSTALLATION

1. Route wire rope (6) through pulley mount.
2. Align two pulleys (9) with pulley mount. Secure with two headed pins (8) and new cotter pins (7).
3. Align wire rope end fitting with ramp mount bracket. Secure with headed pin (5) and new cotter pin (4).
4. Align guard (3) and two washers (2) with upper pulley mount. Secure with pin (1).

**FOLLOW-THROUGH STEPS**

1. Connect wire rope to ramp cylinder (WP 0656 00).
2. Install rear floor plate (WP 0539 00).
3. Raise ramp (see your -10). Check that wire rope and pulleys work right.
4. Stop engine (see your -10).

END OF TASK

REPLACE WIRE ROPE AND PULLEYS (M1064A3 ONLY)**0658 00****THIS WORK PACKAGE COVERS:**

Removal (page 0658 00-1).
 Installation (page 0658 00-2).

INITIAL SETUP:Maintenance Level

Unit

References

See your -10

Tools and Special Tools

General Mechanic's Tool Kit (WP 0926 00, Item 65)

Materials/Parts

Cotter pin (4)

Personnel Required

Unit Mechanic

Equipment Condition

Engine stopped (see your -10)

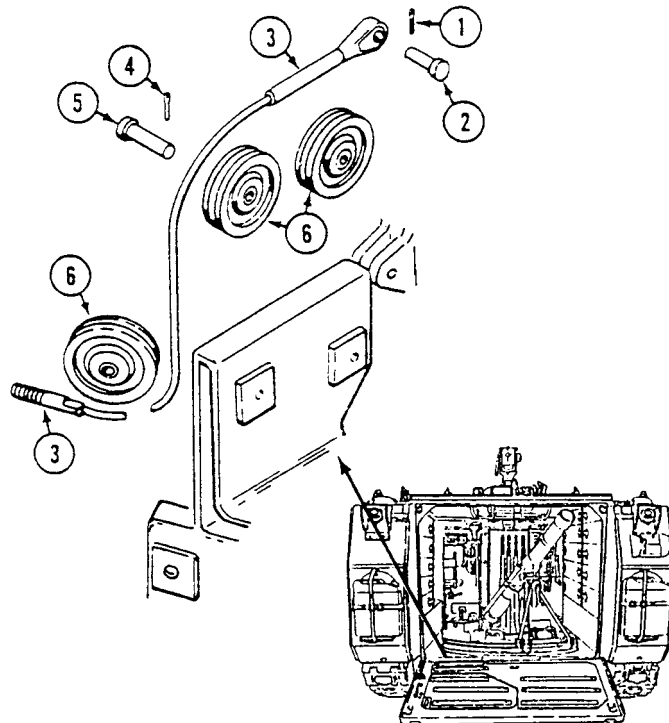
Carrier blocked (see your -10)

Ramp lowered (see your -10)

Rear floor plate removed (WP 0543 00)

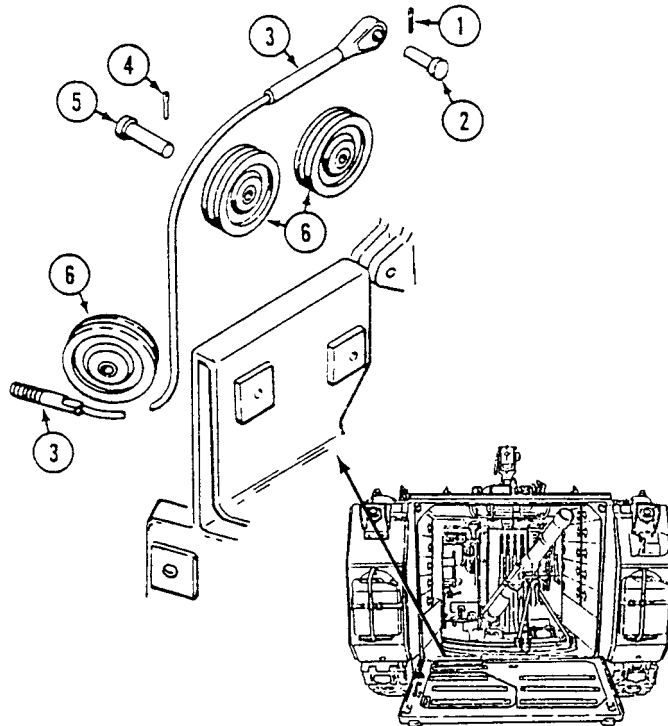
Wire rope disconnected from ramp cylinder
(WP 0656 00)**REMOVAL**

1. Remove cotter pin (1), headed pin (2), and wire rope (3) from ramp mount bracket. Discard cotter pin.
2. Remove three cotter pins (4), headed pins (5), and pulleys (6) from pulley mount. Discard cotter pins.
3. Remove wire rope (3) from carrier.



INSTALLATION

1. Route wire rope (3) through pulley mount.
2. Align three pulleys (6) with pulley mount. Secure with three headed pins (5) and new cotter pins (4).
3. Align wire rope swedged eye with ramp mount bracket. Secure with headed pin (2) and new cotter pin (1).

**FOLLOW-THROUGH STEPS**

1. Connect wire rope to ramp cylinder (WP 0656 00).
2. Install rear floor plate (WP 0543 00).
3. Start engine (see your -10).
4. Raise and lower ramp several times (see your -10). Check to see that wire rope and pulleys operate properly.
5. Raise and lock ramp (see your -10).
6. Stop engine (see your -10).

END OF TASK

**REPLACE RAMP CONTROL VALVE (WITH EXTERNAL RELIEF VALVE)
AND FITTINGS**

0659 00

THIS WORK PACKAGE COVERS:

Repair or Replacement (page 0659 00-1).

INITIAL SETUP:

Maintenance Level

Unit

Personnel Required

Unit Mechanic

Tools and Special Tools

General Mechanic's Tool Kit (WP 0926 00, Item 65)

REPAIR OR REPLACEMENT

1. If ramp control valve (with external relief valve) fails, see task REPLACE RAMP CONTROL VALVE, EXTERNAL RELIEF VALVE, AND FITTINGS WITH RAMP CONTROL VALVE (INTERNAL RELIEF VALVE) (WP 0660 00).

END OF TASK

REPLACE RAMP CONTROL VALVE, EXTERNAL RELIEF VALVE, AND FITTINGS WITH RAMP CONTROL VALVE (INTERNAL RELIEF VALVE)

0660 00

THIS WORK PACKAGE COVERS:

Removal (page 0660 00-1).
 Installation (page 0660 00-6).

INITIAL SETUP:

Maintenance Level

Unit

Personnel Required

Unit Mechanic

Tools and Special Tools

General Mechanic's Tool Kit (WP 0926 00, Item 65)

References

See your -10

Materials/Parts

Sealing compound (WP 0928 00, Item 56)
 Adapter
 Coupling
 Elbow
 Locknut
 Packing
 Preformed packing (3)
 Tab washer (4)
 Valve

Equipment Condition

Engine stopped (see your -10)
 Carrier blocked (see your -10)
 Ramp lowered (see your -10)
 Driver's access panel removed (see your -10)
 Hydraulic reservoir drained (WP 0671 00)

REMOVAL

WARNING



Fire Resistant Hydraulic fluid (FRH) is toxic if absorbed through skin or ingested.

Do not service hydraulic system when FRH is hot or pressurized.

Wear gloves and avoid contact with skin.

If FRH contacts skin, wash immediately with soap.

If FRH gets into eyes, wash with lots of water for 15 minutes and get medical attention.

If FRH is swallowed, get medical attention.

1. Disconnect tube (1) from elbow (2).
2. Disconnect hose (3) from tee (4).

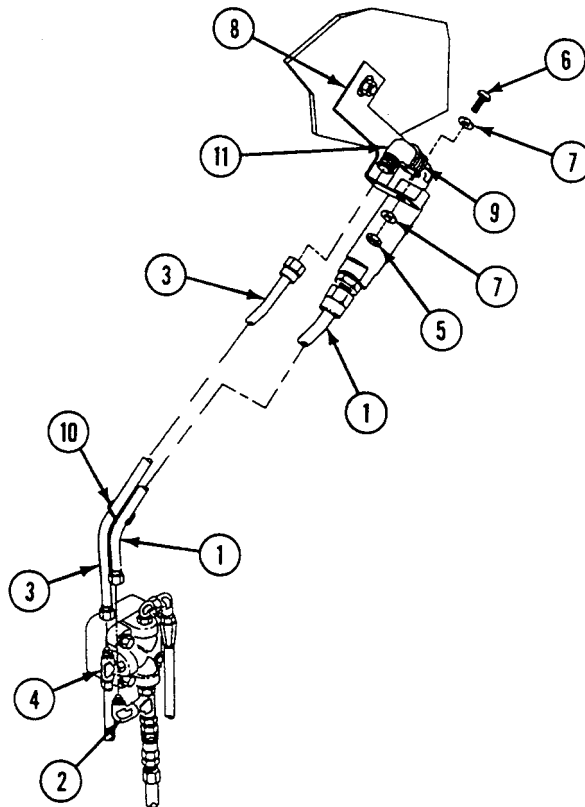
**REPLACE RAMP CONTROL VALVE, EXTERNAL RELIEF VALVE, AND FITTINGS WITH
RAMP CONTROL VALVE (INTERNAL RELIEF VALVE) — Continued**

0660 00

NOTE

All items supporting safety relief valve should be removed and discarded.

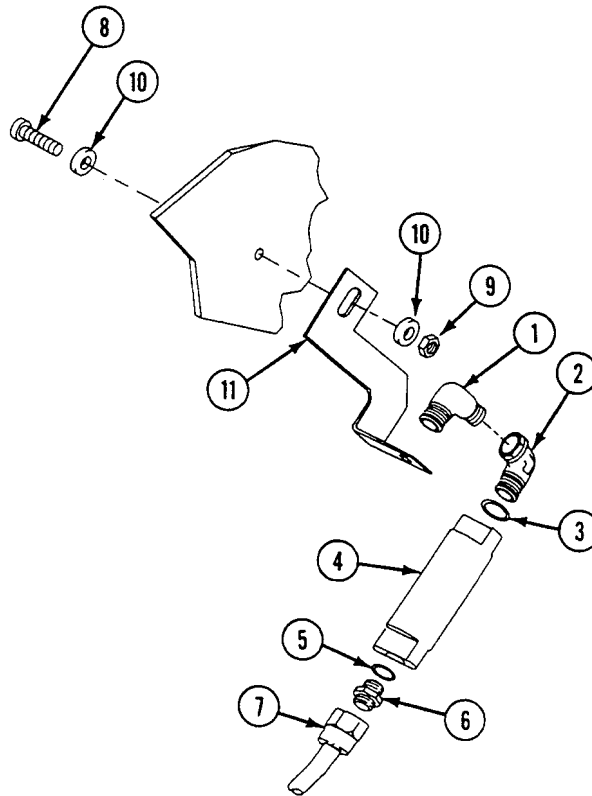
3. Remove nut (5), screw (6), and two washers (7) from bracket (8). Remove clamp (9) from relief valve assembly. Discard nut.
4. Remove strap (10) that secures hose (3) to tube (1). Discard strap.
5. Remove hose (3) from elbow (11).



**REPLACE RAMP CONTROL VALVE, EXTERNAL RELIEF VALVE, AND FITTINGS WITH
RAMP CONTROL VALVE (INTERNAL RELIEF VALVE) — Continued**

0660 00

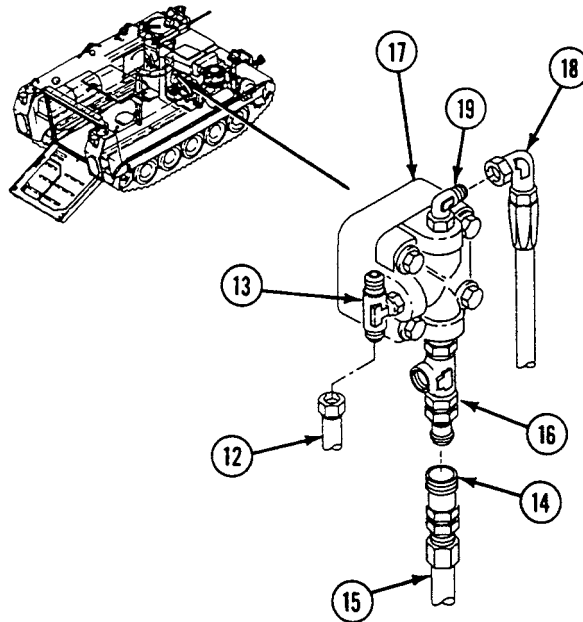
6. Remove two elbows (1)(2) and preformed packing (3) from relief valve (4). Discard packing. Separate two elbows.
7. Remove relief valve (4) and preformed packing (5) from adapter (6). Discard packing.
8. Remove adapter (6) from tube (7).
9. Remove screw (8), nut (9), two washers (10), and bracket (11) from bulkhead. Discard nut.



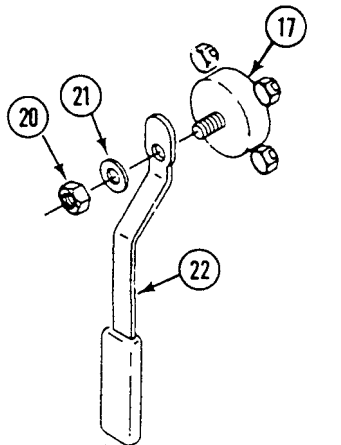
**REPLACE RAMP CONTROL VALVE, EXTERNAL RELIEF VALVE, AND FITTINGS WITH
RAMP CONTROL VALVE (INTERNAL RELIEF VALVE) — Continued**

0660 00

10. Disconnect tube (12) from tee (13). Retain tube.
11. Disconnect quick disconnect (14) with hose (15) from quick disconnect (16) on control valve (17). Retain quick disconnect (14) with hose (15) for installation.
12. Disconnect elbow (18) from elbow (19).



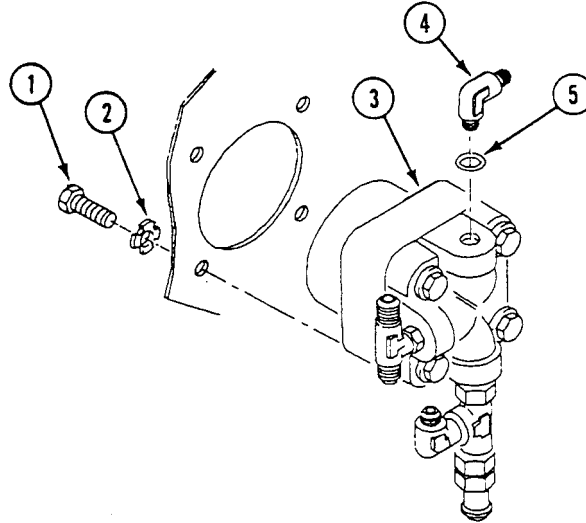
13. Remove locknut (20), washer (21), and handle (22) from valve (17). Discard locknut.



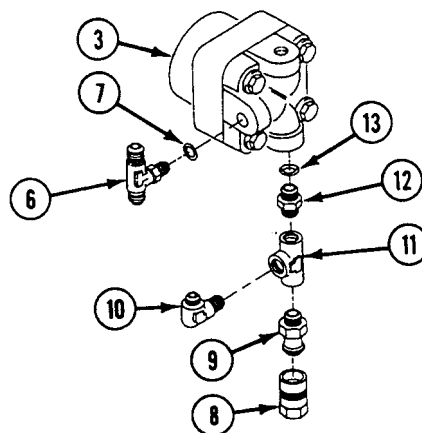
**REPLACE RAMP CONTROL VALVE, EXTERNAL RELIEF VALVE, AND FITTINGS WITH
RAMP CONTROL VALVE (INTERNAL RELIEF VALVE) — Continued**

0660 00

14. Remove four screws (1) and tab washers (2) from valve (3). Remove valve from bulkhead. Discard tab washers.
15. Remove elbow (4) and preformed packing (5) from valve (3). Retain elbow. Discard packing.



16. Remove tee (6) and preformed packing (7) from valve (3). Discard packing and tee.
17. Disconnect quick disconnect fitting (8) from nipple (9).
18. Remove nipple (9) and elbow (10) from tee (11). Discard nipple and elbow.
19. Remove tee (11) from adapter (12).
20. Remove adapter (12) and preformed packing (13) from valve (3). Discard packing.



**REPLACE RAMP CONTROL VALVE, EXTERNAL RELIEF VALVE, AND FITTINGS WITH
RAMP CONTROL VALVE (INTERNAL RELIEF VALVE) — Continued**

0660 00

INSTALLATION

WARNING



Fire Resistant Hydraulic fluid (FRH) is toxic if absorbed through skin or ingested.

Do not service hydraulic system when FRH is hot or pressurized.

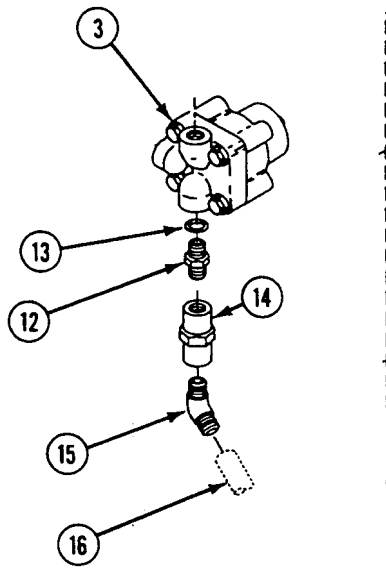
Wear gloves and avoid contact with skin.

If FRH contacts skin, wash immediately with soap.

If FRH gets into eyes, wash with lots of water for 15 minutes and get medical attention.

If FRH is swallowed, get medical attention.

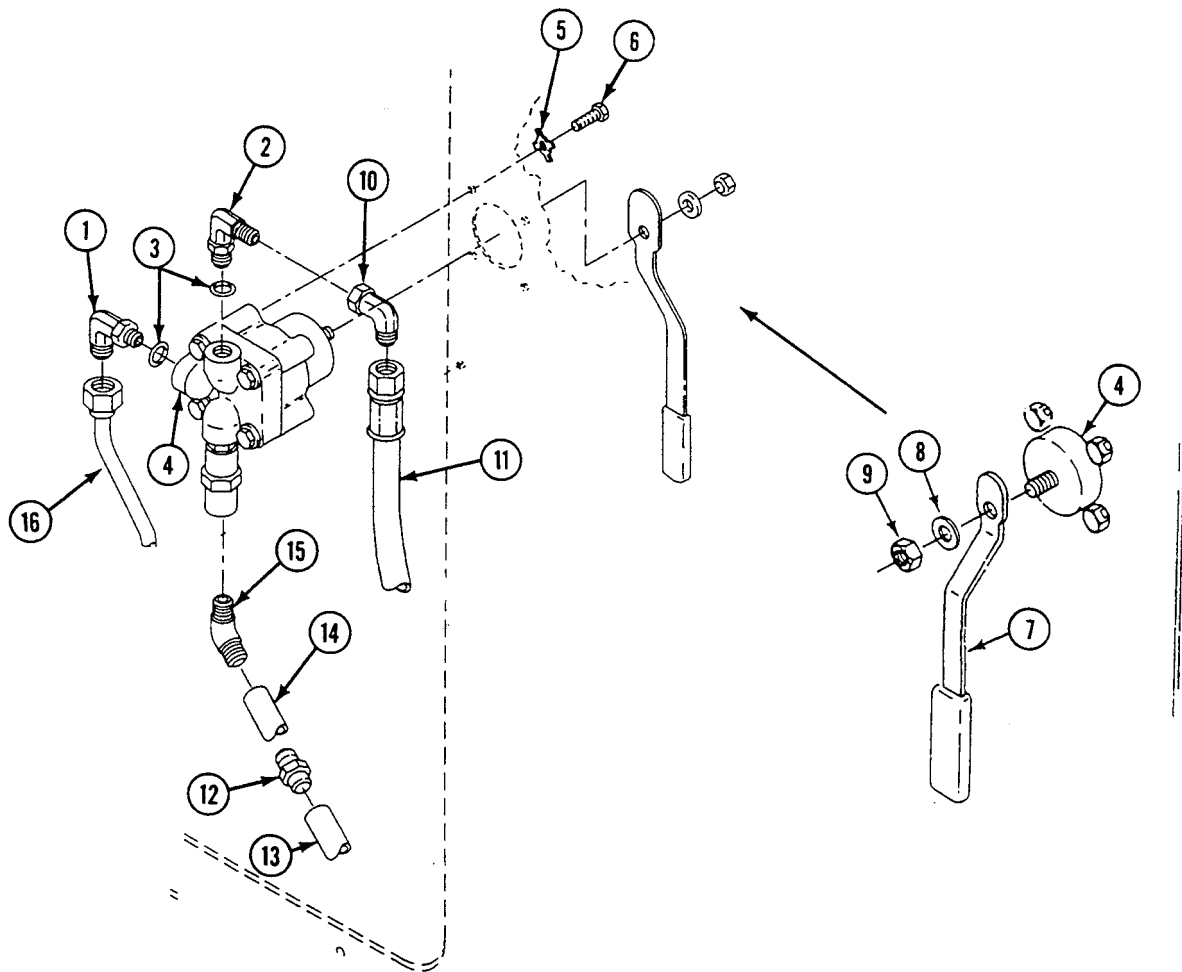
1. Apply sealing compound to all male tapered threaded parts before installation.
2. Install adapter (12) and new preformed packing (13) on valve (3).
3. Install coupling (14) on adapter (12).
4. Install elbow (15) on coupling (14).
5. Install quick disconnect (16) on elbow (15).



REPLACE RAMP CONTROL VALVE, EXTERNAL RELIEF VALVE, AND FITTINGS WITH RAMP CONTROL VALVE (INTERNAL RELIEF VALVE) — Continued

0660 00

6. Install two elbows (1)(2) and new preformed packings (3) on valve (4).
7. Install valve (4) on bulkhead. Secure with four new tab washers (5) and screws (6).
8. Install handle (7) on valve (4). Secure with washer (8) and new locknut (9).
9. Connect elbow (10) with hose (11) to elbow (2).
10. Connect quick disconnect (12) on hose (13) to quick disconnect (14) on elbow (15).
11. Connect tube (16) to elbow (1) on valve (4).



**REPLACE RAMP CONTROL VALVE, EXTERNAL RELIEF VALVE, AND FITTINGS WITH
RAMP CONTROL VALVE (INTERNAL RELIEF VALVE) — Continued**

0660 00

FOLLOW-THROUGH STEPS

1. Fill hydraulic reservoir (WP 0155 00).
2. Install driver's access panel (see your -10).
3. Raise and lower ramp several times to bleed system and check for leaks (see your -10).
4. Raise and lock ramp (see your -10).

END OF TASK

REPLACE RAMP CONTROL VALVE (WITH INTERNAL RELIEF VALVE) AND FITTINGS

0661 00

THIS WORK PACKAGE COVERS:

Removal (page 0661 00-1).
 Installation (page 0661 00-4).

INITIAL SETUP:

Maintenance Level

Unit

Personnel Required

Unit Mechanic

Tools and Special Tools

General Mechanic's Tool Kit (WP 0926 00, Item 65)

References

See your -10

Materials/Parts

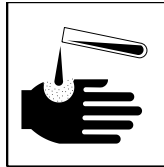
Sealing compound (WP 0928 00, Item 56)
 Locknut
 Preformed packing (3)
 Tab washer (4)

Equipment Condition

Engine stopped (see your -10)
 Carrier blocked (see your -10)
 Ramp lowered (see your -10)
 Drivers access panel removed (see your -10)
 Hydraulic reservoir drained (WP 0671 00)

REMOVAL

WARNING



Fire Resistant Hydraulic fluid (FRH) is toxic if absorbed through skin or ingested.

Do not service hydraulic system when FRH is hot or pressurized.

Wear gloves and avoid contact with skin.

If FRH contacts skin, wash immediately with soap.

If FRH gets into eyes, wash with lots of water for 15 minutes and get medical attention.

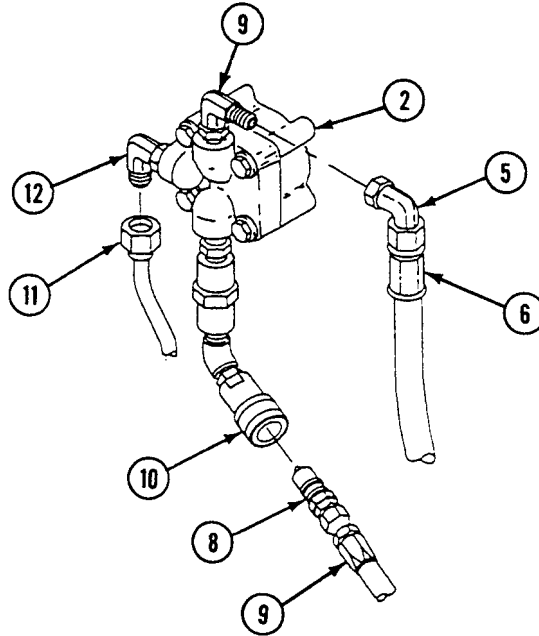
If FRH is swallowed, get medical attention.

1. Disconnect tube (11) from elbow (12).

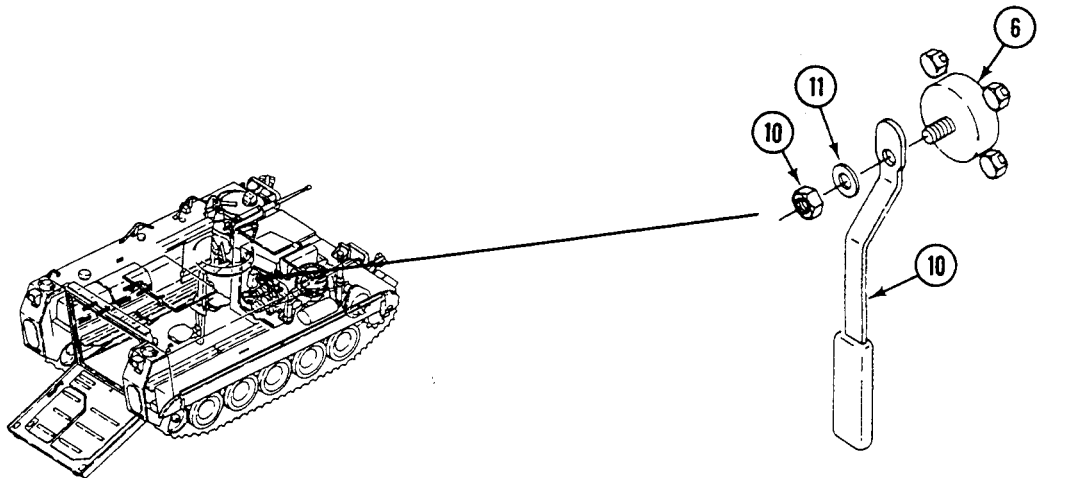
REPLACE RAMP CONTROL VALVE (WITH INTERNAL RELIEF VALVE) AND FITTINGS —
Continued

0661 00

2. Remove quick disconnect (8) on hose (9) from quick disconnect (10) on control valve (2).
3. Disconnect elbow (5) and hose (6) from elbow (9).



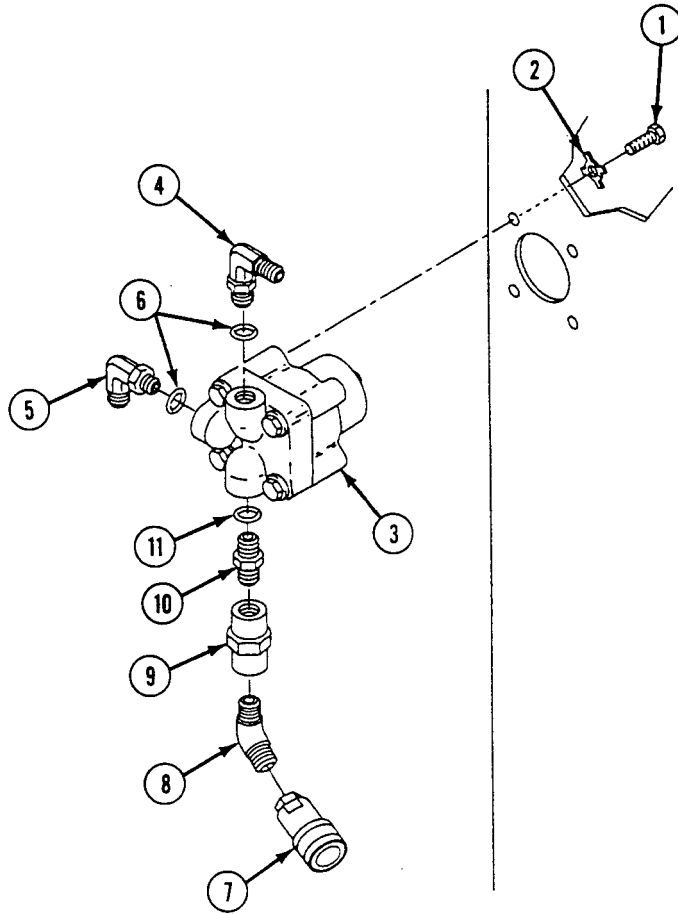
4. Remove locknut (10), washer (11), and handle (12) from valve (6). Discard locknut.



REPLACE RAMP CONTROL VALVE (WITH INTERNAL RELIEF VALVE) AND FITTINGS —
Continued

0661 00

5. Remove four screws (1) and tab washers (2) from valve (3). Remove valve from bulkhead. Discard tab washers.
6. Remove two elbows (4)(5) and preformed packings (6) from valve (3). Discard packings.
7. Remove quick disconnect (7) and adapter (8) from coupling (9).
8. Remove coupling (9), adapter (10), and preformed packing (11) from valve (3). Discard packing.



INSTALLATION

WARNING



Fire Resistant Hydraulic fluid (FRH) is toxic if absorbed through skin or ingested.

Do not service hydraulic system when FRH is hot or pressurized.

Wear gloves and avoid contact with skin.

If FRH contacts skin, wash immediately with soap.

If FRH gets into eyes, wash with lots of water for 15 minutes and get medical attention.

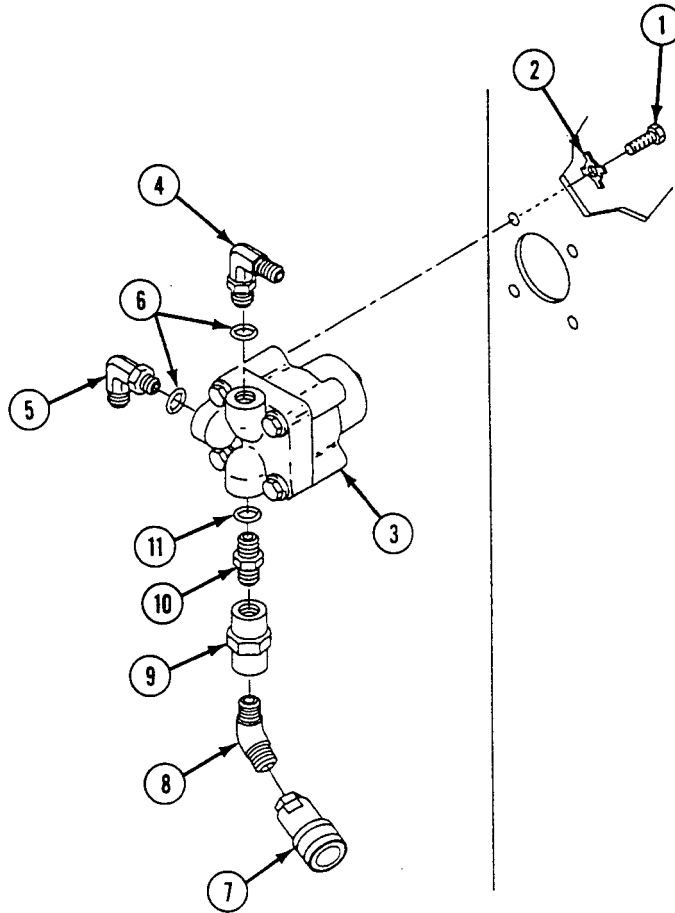
If FRH is swallowed, get medical attention.

1. Apply sealing compound to all male tapered threaded parts before installation.
2. Install adapter (10), preformed packing (11), and coupling (9) on valve (3).
3. Install adapter (8) on coupling (9).
4. Install quick disconnect (7) on adapter (8).
5. Install two elbows (4)(5) and new preformed packings (6) on valve (3).

**REPLACE RAMP CONTROL VALVE (WITH INTERNAL RELIEF VALVE) AND FITTINGS —
Continued**

0661 00

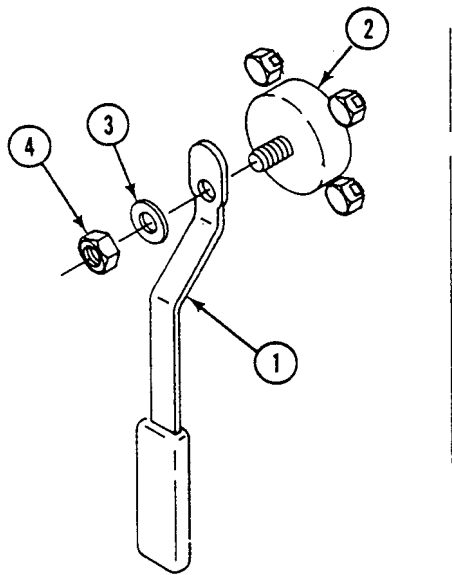
6. Install valve (3) on bulkhead. Secure with four new tab washers (2) and screws (1).



REPLACE RAMP CONTROL VALVE (WITH INTERNAL RELIEF VALVE) AND FITTINGS —
Continued

0661 00

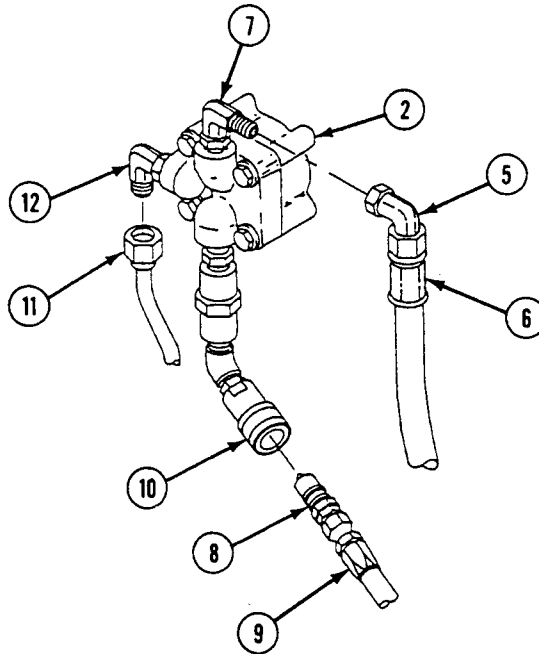
7. Install handle (1) on valve (2). Secure with washer (3) and new locknut (4).



REPLACE RAMP CONTROL VALVE (WITH INTERNAL RELIEF VALVE) AND FITTINGS —
Continued

0661 00

8. Connect elbow (5) with hose (6) to elbow (7).
9. Connect quick disconnect (8) on hose (9) to quick disconnect (10) on valve (2).
10. Connect tube (11) to elbow (12) on valve (2).

**FOLLOW-THROUGH STEPS**

1. Fill hydraulic reservoir (WP 0155 00).
2. Install drivers access panel (see your -10).
3. Raise and lower ramp several times to bleed system and check for leaks (see your -10).
4. Raise and lock ramp (see your -10).

END OF TASK

REPLACE SAFETY RELIEF VALVE, TUBE, HOSE, AND FITTINGS

0662 00

THIS WORK PACKAGE COVERS:

Repair or Replacement (page 0662 00-1).

INITIAL SETUP:

Maintenance Level

Unit

Personnel Required

Unit Mechanic

Tools and Special Tools

General Mechanic's Tool Kit (WP 0926 00, Item 65)

REPAIR OR REPLACEMENT

1. If safety relief valve, tube, hose, and fittings fail, see task REPLACE RAMP CONTROL VALVE, EXTERNAL RELIEF VALVE, AND FITTINGS WITH RAMP CONTROL VALVE (INTERNAL RELIEF VALVE) (WP 0660 00).

END OF TASK

REPLACE RAMP CONTROL VALVE HOSE AND ELBOW

0663 00

THIS WORK PACKAGE COVERS:

Removal (page 0663 00-1).
 Installation (page 0663 00-3).

INITIAL SETUP:

Maintenance Level

Unit

References

See your -10

Tools and Special Tools

General Mechanic's Tool Kit (WP 0926 00, Item 65)

Equipment Condition

Engine stopped (see your -10)

Materials/Parts

Sealing Compound (WP 0928 00, Item 56)

Carrier blocked (see your -10)

Driver's power plant access panel removed (see your -10)

Personnel Required

Unit Mechanic

Hydraulic reservoir drained (WP 0671 00)

REMOVAL

WARNING



Fire Resistant Hydraulic fluid (FRH) is toxic if absorbed through skin or ingested.

Do not service hydraulic system when FRH is hot or pressurized.

Wear gloves and avoid contact with skin.

If FRH contacts skin, wash immediately with soap.

If FRH gets into eyes, wash with lots of water for 15 minutes and get medical attention.

If FRH is swallowed, get medical attention.

NOTE

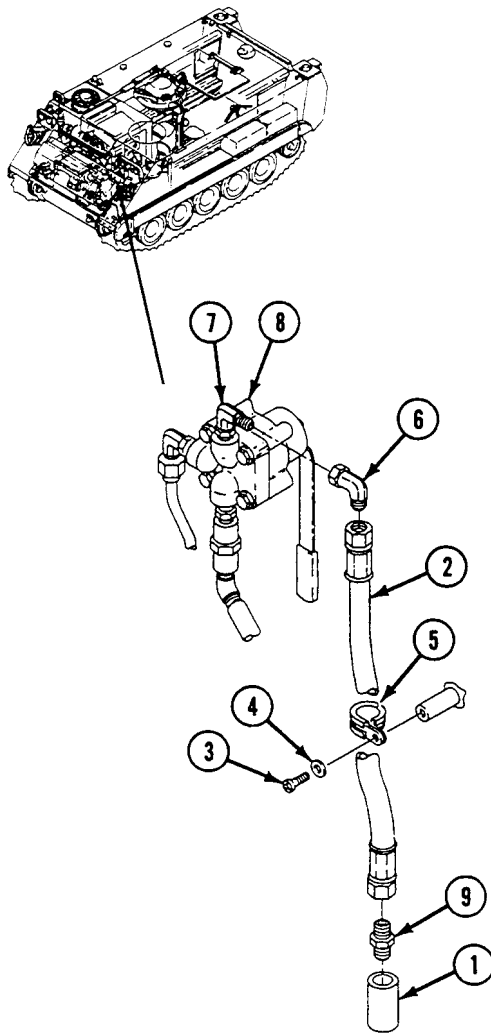
There are two types of ramp control valves. One has an internal relief valve and the other has an external relief valve. Replacement of the ramp control valve hose is the same for both types.

1. Disconnect quick disconnect (1) at bottom of hose (2) from engine hose quick disconnect.

REPLACE RAMP CONTROL VALVE HOSE AND ELBOW — Continued

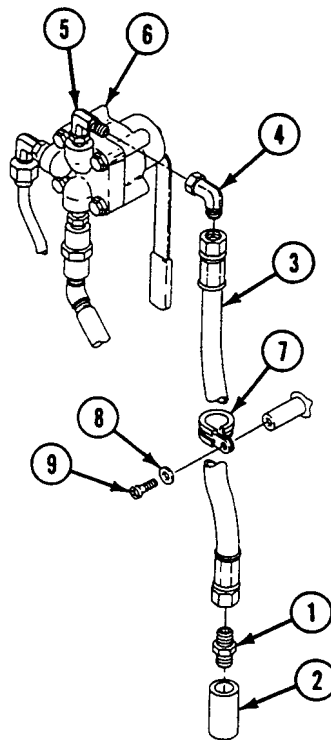
0663 00

2. Remove screw (3), washer (4), and clamp (5) from hose (2).
3. Remove hose (2) from elbow (6).
4. Remove elbow (6) from elbow (7) on top of control valve (8).
5. Remove adapter (9) and quick disconnect (1) and hose (2).



INSTALLATION

1. Install adapter (1) and quick disconnect (2) on hose (3). Apply sealing compound to male threads of adapter (1).
2. Install elbow (4) on elbow (5) on top of ramp control valve (6).
3. Connect hose (3) to elbow (4).
4. Install clamp (7) on hose (3), and secure with washer (8) and screw (9).
5. Connect quick disconnect (2) at bottom of hose (3) to engine hose quick disconnect.

**FOLLOW-THROUGH STEPS**

1. Fill hydraulic reservoir (WP 0155 00).
2. Install driver's power plant access panel (see your -10).

END OF TASK

REPLACE TUBE FROM RAMP CONTROL VALVE TO BULKHEAD

0664 00

THIS WORK PACKAGE COVERS:

Removal (page 0664 00-1).
 Installation (page 0664 00-3).

INITIAL SETUP:

Maintenance Level

Unit

References

See your -10

Tools and Special Tools

General Mechanic's Tool Kit (WP 0926 00, Item 65)

Equipment Condition

Engine stopped (see your -10)
 Carrier blocked (see your -10)
 Ramp lowered (see your -10)
 Driver's power plant access panel
 removed (see your -10)
 Left front floor plate removed (WP 0453 00)

Materials/Parts

Locknut (3)

Personnel Required

Unit Mechanic

REMOVAL

NOTE

There are two types of ramp control valves. One has an internal relief valve and the other has an external relief valve. The tube on the ramp control valve with external relief valve is attached to a tee fitting. The tube on the ramp control valve with internal relief valve is attached to an elbow fitting.

1. Remove three locknuts (1), screws (2), washers (3), and clamps (4) from power plant compartment bulkhead. Discard locknuts.
2. Remove clamps (4) from tube (5).

WARNING

Fire Resistant Hydraulic fluid (FRH) is toxic if absorbed through skin or ingested.

Do not service hydraulic system when FRH is hot or pressurized.

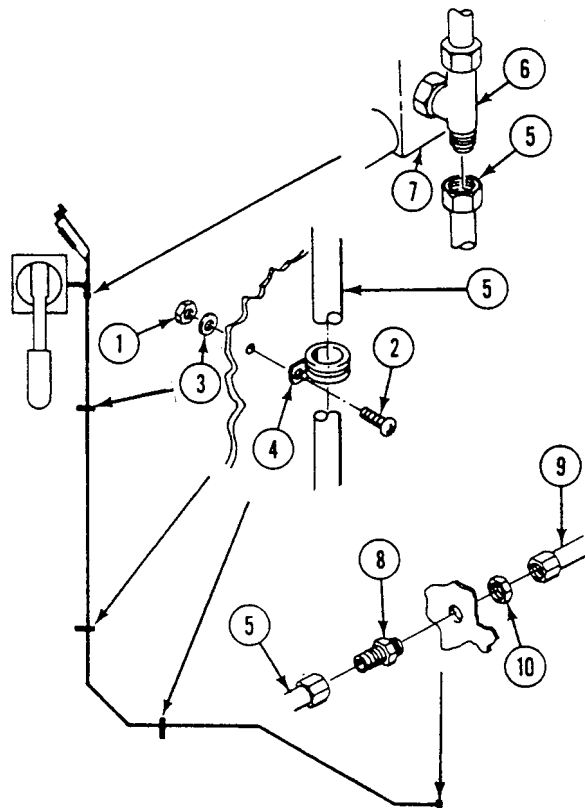
Wear gloves and avoid contact with skin.

If FRH contacts skin, wash immediately with soap.

If FRH gets into eyes, wash with lots of water for 15 minutes and get medical attention.

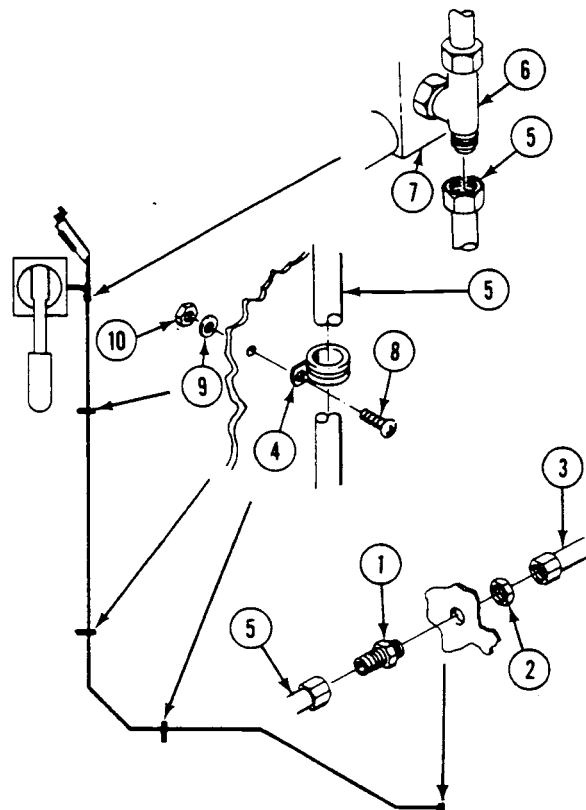
If FRH is swallowed, get medical attention.

3. Remove tube (5) from tee or elbow (6) at ramp control valve (7).
4. Remove tube (5) from bulkhead nipple (8).
5. Remove hose (9) from bulkhead nipple (8).
6. Remove jam nut (10) from nipple (8) and remove nipple from bulkhead.



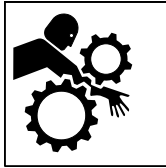
INSTALLATION

1. Install nipple (1) in bulkhead and secure with jam nut (2).
2. Connect hose (3) to nipple (1).
3. Place three clamps (4) on tube (5).
4. Install tube (5) on tee or elbow (6) of ramp control valve (7).
5. Align three clamps (4) with power plant compartment holes.
6. Secure with three screws (8), washers (9), and new locknuts (10).



FOLLOW-THROUGH STEPS

1. Check fluid level in hydraulic tank (WP 0155 00).

WARNING

Wearing loose clothing around moving parts can allow personnel to get caught and result in injury or death. Tuck in loose clothing.

WARNING

Unlocked ramp can fall open suddenly. Personnel can be killed or injured. Do not stand behind ramp. Keep away from ramp during testing and bleeding of hydraulic lines.

2. Start engine (see your -10).
3. Check for hydraulic leaks.
4. Raise and lower ramp several times to bleed air from system.
5. Install driver's power plant access panel (see your -10).
6. Raise and lock ramp (see your -10).
7. Stop engine (see your -10).
8. Install left front floor plate (WP 0453 00).

END OF TASK

REPLACE HOSE FROM BULKHEAD CONNECTION TO RAMP CYLINDER

0665 00

THIS WORK PACKAGE COVERS:

Removal (page 0665 00-1).
 Installation (page 0665 00-2).

INITIAL SETUP:

Maintenance Level

Unit

References

See your -10

Tools and Special Tools

General Mechanic's Tool Kit (WP 0926 00, Item 65)

Equipment Condition

Engine stopped (see your -10)
 Carrier blocked (see your -10)
 Ramp lowered (see your -10)
 Power plant rear access panel removed (WP 0439 00)
 Floor plates removed (WP 0539 00)
 Tread plate on mortar base plate raised

Materials/Parts

FRH hydraulic fluid (WP 0928 00, Item 37)
 Sealing compound (WP 0928 00, Item 56)
 Lockwasher (7)

Personnel Required

Unit Mechanic

REMOVAL

WARNING



Fire Resistant Hydraulic fluid (FRH) is toxic if absorbed through skin or ingested.

Do not service hydraulic system when FRH is hot or pressurized.

Wear gloves and avoid contact with skin.

If FRH contacts skin, wash immediately with soap.

If FRH gets into eyes, wash with lots of water for 15 minutes and get medical attention.

If FRH is swallowed, get medical attention.

1. Disconnect tube (1) from nipple (2).

NOTE

There are six clamps (3) securing the hose (4) on the M1064A3 carrier, seven on all other carriers.

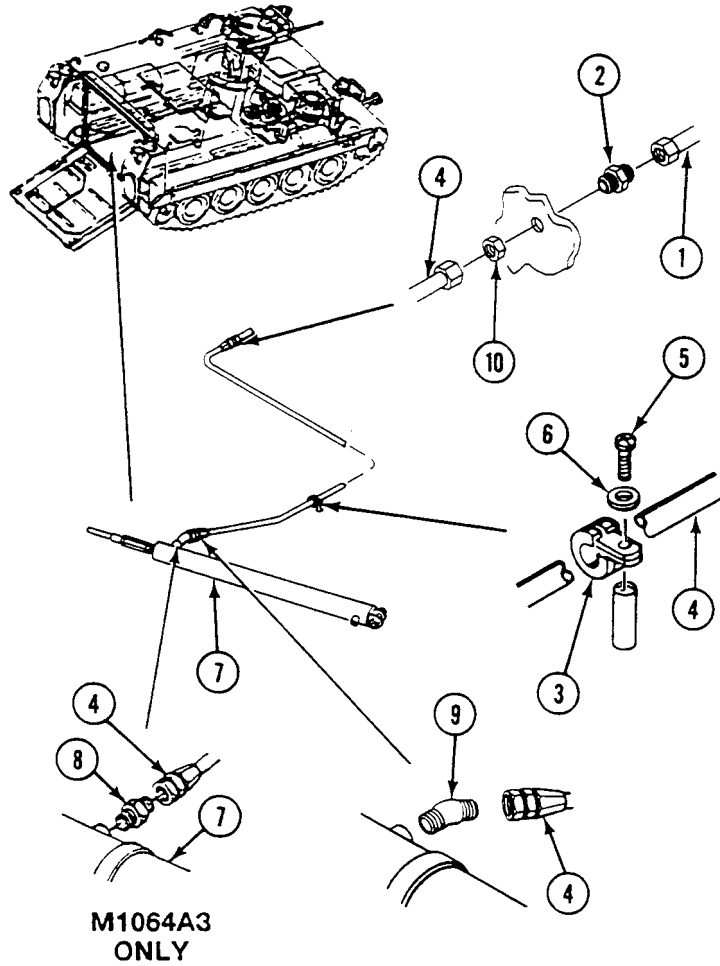
2. Remove clamps (3), screws (5), and lockwashers (6) from weldnuts. Discard lock washers.

NOTE

The M1064A3 ramp cylinder (7) has a nipple (8) installed instead of an elbow (9).

3. Remove hose (4) from elbow (9) or nipple (8) and nipple (2). Remove clamps (3) from hose. Remove elbow or nipple from ramp cylinder (7).

- Remove jamnut (10) and nipple (2) from bulkhead.



INSTALLATION

WARNING



Fire Resistant Hydraulic fluid (FRH) is toxic if absorbed through skin or ingested.

Do not service hydraulic system when FRH is hot or pressurized.

Wear gloves and avoid contact with skin.

If FRH contacts skin, wash immediately with soap.

If FRH gets into eyes, wash with lots of water for 15 minutes and get medical attention.

If FRH is swallowed, get medical attention.

1. Install nipple (1) in bulkhead. Secure with jamnut (2).
2. Apply light coat of sealing compound to external tapered threads of elbow (3). Do not apply sealant beyond small end of tapered threads.

NOTE

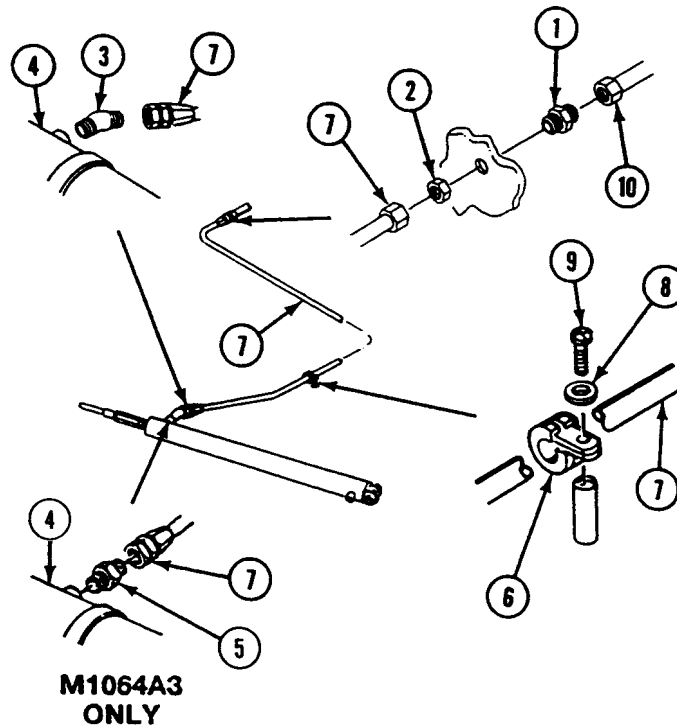
The M1064A3 ramp cylinder (4) has a nipple (5) installed instead of an elbow (3).

3. Install elbow (3) or nipple (5) in ramp cylinder (4). Place clamps (6) on hose (7). Install hose (7) on elbow (3) or nipple (5) and nipple (1).

NOTE

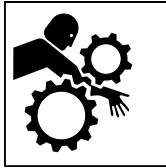
There are six clamps (6) securing hose (7) on the M1064A3 carrier, seven on all other carriers.

4. Align clamps (6) with hull weldnuts. Secure with new lockwashers (8) and screws (9).
5. Connect tube (10) to nipple (1).



FOLLOW-THROUGH STEPS

1. Check fluid level in tank. Add fluid as needed (see your 10).

WARNING

Wearing loose clothing around moving parts can allow personnel to get caught and could result in injury or death. Tuck in loose clothing.

WARNING

Unlocked ramp can fall open suddenly. Personnel can be killed or injured. Do not stand behind ramp. Keep away from ramp during testing and bleeding of hydraulic lines.

2. Start engine (see your -10). Check for hydraulic leaks.
3. Raise and lower ramp several times to bleed air from system (see your -10).
4. Install power plant rear access panel (WP 0439 00).
5. Install floor plates (WP 0539 00).
6. Lower tread plate on mortar base plate.
7. Raise and lock ramp (see your -10).
8. Stop engine (see your -10).

END OF TASK

REPLACE RAMP CYLINDER BREATHER HOSE (ALL EXCEPT M1064A3)

0666 00

THIS WORK PACKAGE COVERS:

Removal (page 0666 00-1).
 Installation (page 0666 00-3).

INITIAL SETUP:

Maintenance Level

Unit

Personnel Required

Unit Mechanic

Tools and Special Tools

General Mechanic's Tool Kit (WP 0926 00, Item 65)

References

See your -10

Materials/Parts

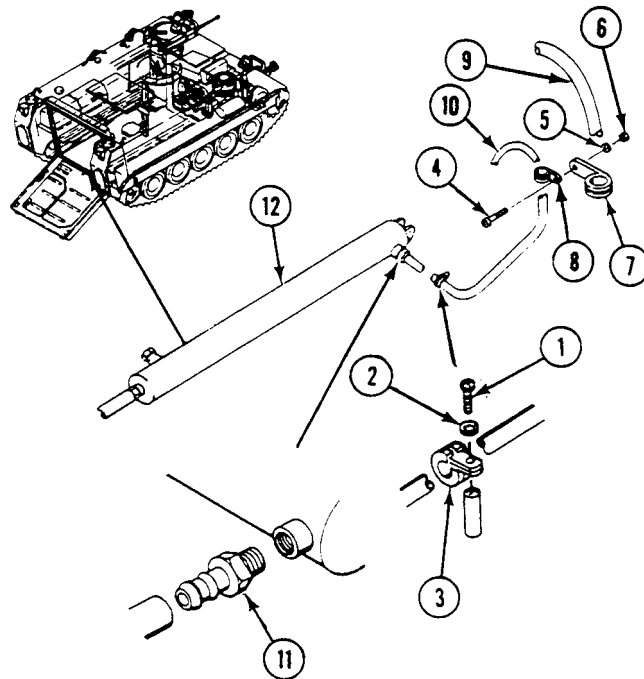
Sealing compound (WP 0928 00, Item 56)
 Locknut
 Lockwasher (3)

Equipment Condition

Engine stopped (see your -10)
 Carrier blocked (see your -10)
 Ramp lowered (see your -10)
 Rear floor plate removed (WP 0539 00)

REMOVAL

1. Remove three screws (1), lockwashers (2), and clamps (3) from hull and bulkhead weldnuts. Discard lockwashers.
2. Remove screw (4), washer (5), locknut (6), and two clamps (7)(8) from bilge pump pipe (9) and breather hose (10). Discard locknut.



WARNING

Fire Resistant Hydraulic fluid (FRH) is toxic if absorbed through skin or ingested.

Do not service hydraulic system when FRH is hot or pressurized.

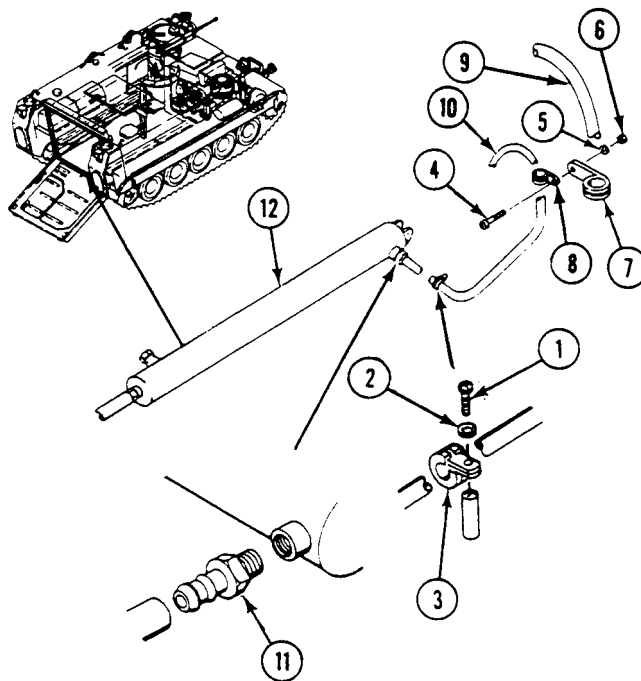
Wear gloves and avoid contact with skin.

If FRH contacts skin, wash immediately with soap.

If FRH gets into eyes, wash with lots of water for 15 minutes and get medical attention.

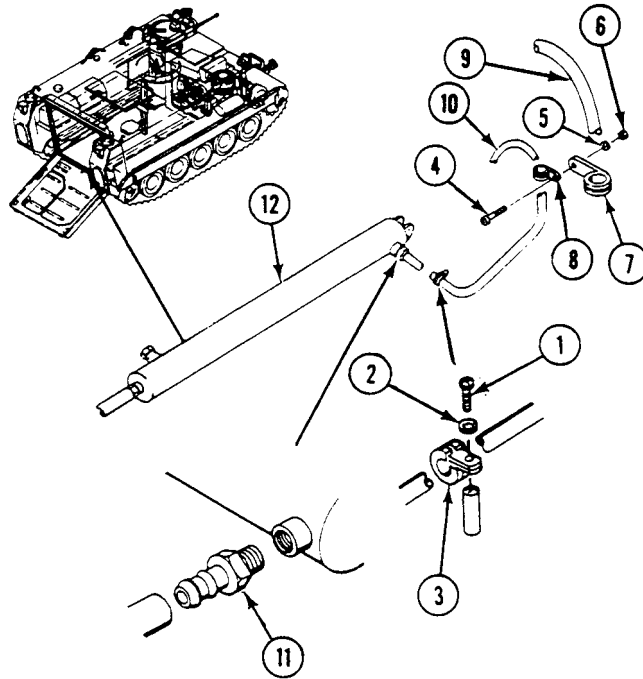
If FRH is swallowed, get medical attention.

3. Remove hose (10) from adapter (11) on ramp cylinder (12). Remove clamps (3) from hose.
4. Remove adapter (11) from ramp cylinder (12).



INSTALLATION

1. Apply light coat of sealing compound to threads of adapter (11). Install adapter in ramp cylinder (12).
2. Install hose (10) on adapter (11).
3. Install clamp (7) on bilge pump pipe (9) and clamp (8) on breather hose (10). Secure with screw (4), washer (5), and new locknut (6).
4. Install three clamps (3) on hose (10). Align clamps with bulkhead and hull weldnuts. Secure with three new lockwashers (2) and screws (1).

**FOLLOW-THROUGH STEPS**

1. Install rear floor plate (WP 0539 00).
2. Start engine (see your -10).
3. Raise and lock ramp (see your -10).
4. Stop engine (see your -10).

END OF TASK

REPLACE RAMP CYLINDER BREATHER HOSE (M1064A3 ONLY)

0667 00

THIS WORK PACKAGE COVERS:

Removal (page 0667 00-2)
 Installation (page 0667 00-3).

INITIAL SETUP:

Maintenance Level

Unit

References

See your -10

Tools and Special Tools

General Mechanic's Tool Kit (WP 0926 00, Item 65)

Equipment Condition

Engine stopped (see your -10)
 Carrier blocked (see your -10)
 Ramp lowered (see your -10)
 Tread plate on mortar base plate raised

Materials/Parts

Sealing compound (WP 0928 00, Item 56)

Personnel Required

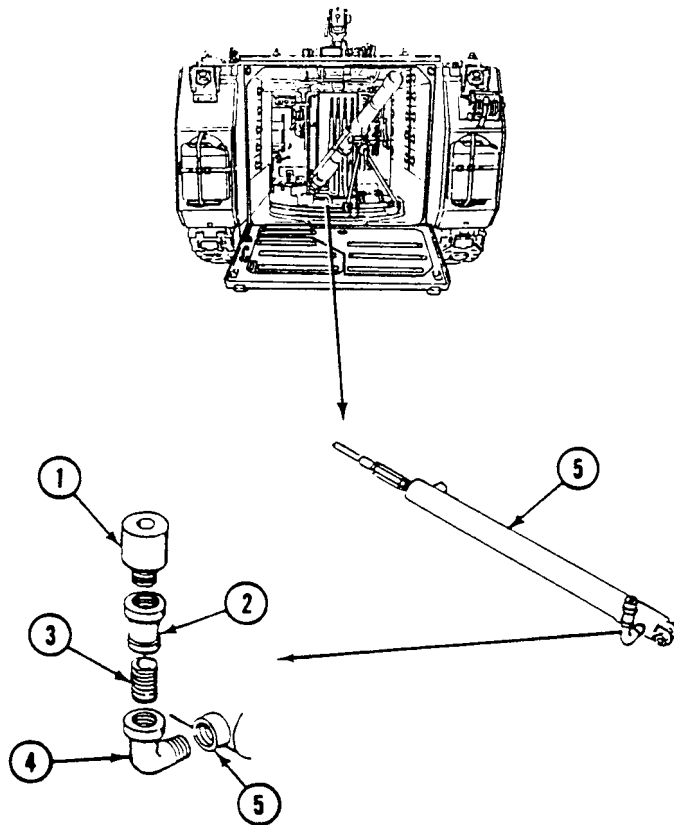
Unit Mechanic
 Helper (H)

REMOVAL

NOTE

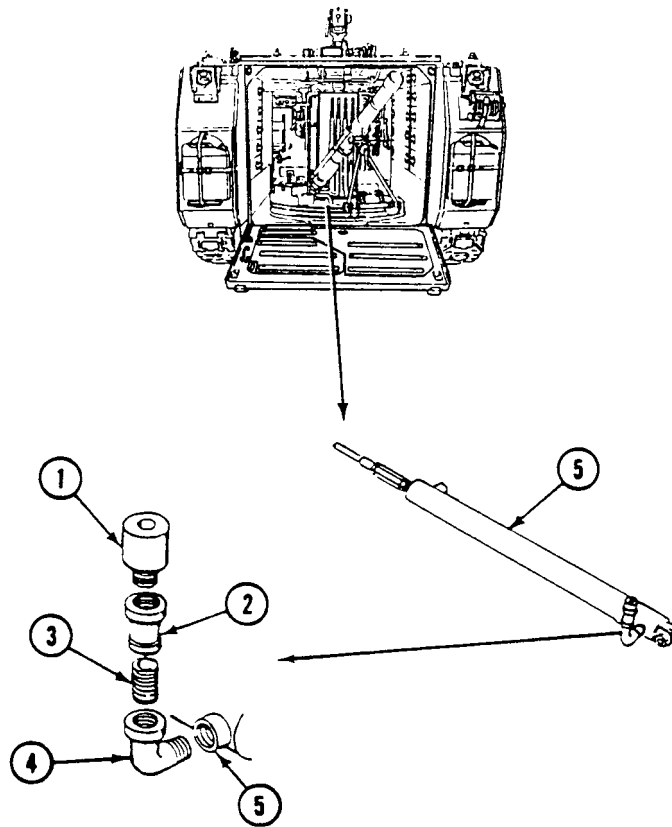
Rotate base plate to access breather. Have helper assist.

1. Remove breather (1) from coupling (2).
2. Remove coupling (2) from nipple (3).
3. Remove nipple (3) from elbow (4).
4. Remove elbow (4) from ramp cylinder (5).



INSTALLATION

1. Apply light coat of sealing compound to external tapered threads. Do not apply sealant beyond small end of external tapered threads.
2. Install elbow (4) in ramp cylinder (5).
3. Install nipple (3) in elbow (4).
4. Install coupling (2) on nipple (3).
5. Install breather (1) in coupling (2).

**FOLLOW-THROUGH STEPS**

1. Lower mortar base tread plate.
2. Start engine (see your -10).
3. Raise and lock ramp (see your -10).
4. Stop engine (see your -10).

END OF TASK

REPLACE POWER PLANT HYDRAULIC HOSES

0668 00

THIS WORK PACKAGE COVERS:

Removal (page 0668 00-1)
 Installation (page 0668 00-3).

INITIAL SETUP:

Maintenance Level

Unit

Personnel Required

Unit Mechanic

Tools and Special Tools

General Mechanic's Tool Kit (WP 0926 00, Item 65)

References

See your -10

Materials/Parts

Strap (2)
 Strap (2)

Equipment Condition

Power plant removed (WP 0156 00)
 Hydraulic tank drained (WP 0155 00)

REMOVAL

WARNING



Fire Resistant Hydraulic fluid (FRH) is toxic if absorbed through skin or ingested.

Do not service hydraulic system when FRH is hot or pressurized.

Wear gloves and avoid contact with skin.

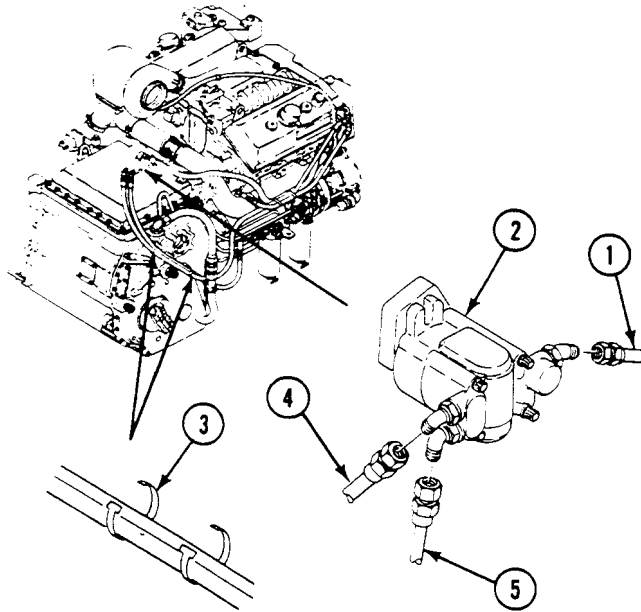
If FRH contacts skin, wash immediately with soap.

If FRH gets into eyes, wash with lots of water for 15 minutes and get medical attention.

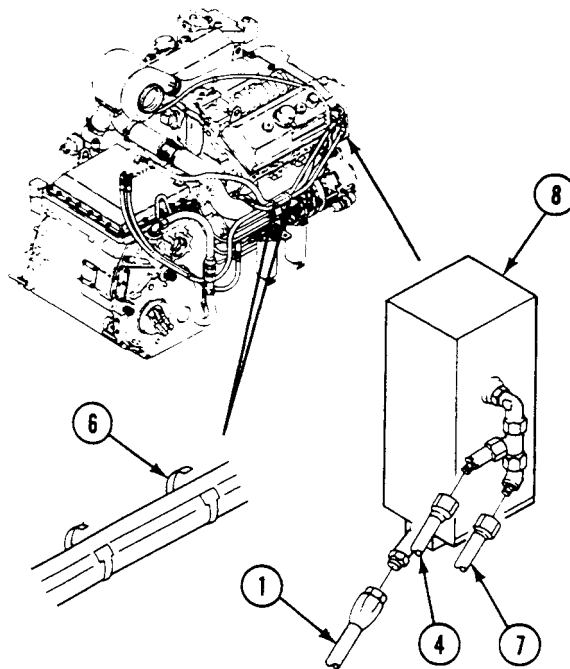
If FRH is swallowed, get medical attention.

1. Disconnect hose (1) from hydraulic pump (2).
2. Remove two straps (3). Discard straps.
3. Disconnect hose (4) from hydraulic pump (2).

4. Disconnect hose (5) from hydraulic pump (2). Remove hose.



5. Remove two straps (6). Discard straps.
6. Disconnect hose (7) from hydraulic tank (8). Remove hose.
7. Disconnect hose (4) from hydraulic tank (8). Remove hose.
8. Disconnect hose (1) from hydraulic tank (8). Remove hose.



INSTALLATION

WARNING

Fire Resistant Hydraulic fluid (FRH) is toxic if absorbed through skin or ingested.

Do not service hydraulic system when FRH is hot or pressurized.

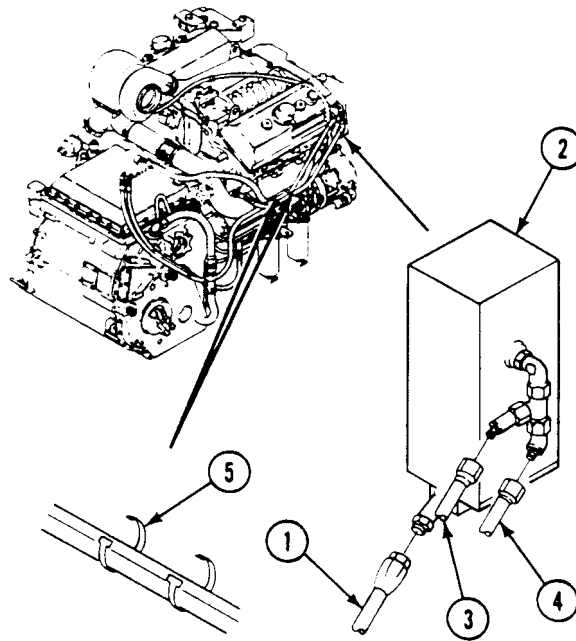
Wear gloves and avoid contact with skin.

If FRH contacts skin, wash immediately with soap.

If FRH gets into eyes, wash with lots of water for 15 minutes and get medical attention.

If FRH is swallowed, get medical attention.

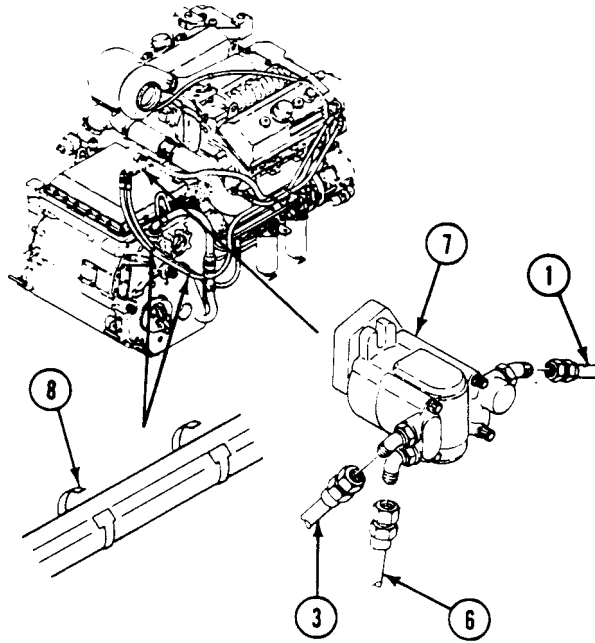
1. Connect hose (1) to hydraulic tank (2).
2. Connect hose (3) to hydraulic tank (2).
3. Connect hose (4) to hydraulic tank (2).
4. Secure two hoses (3)(4) with two new straps (5).



REPLACE POWER PLANT HYDRAULIC HOSES — Continued

0668 00

5. Connect hose (6) to hydraulic pump (7).
6. Connect hose (3) to hydraulic pump (7).
7. Secure two hoses (3)(6) with two new straps (8).
8. Connect hose (1) to hydraulic pump (7).



FOLLOW-THROUGH STEPS

1. Install power plant (WP 0156 00).
2. Fill hydraulic tank (WP 0155 00).

WARNING



Unlocked ramp can fall open suddenly. Personnel can be killed or injured. Do not stand behind ramp. Keep away from ramp during testing and bleeding of hydraulic lines.

3. Start engine (see your -10).
4. Check for hydraulic leaks.
5. Raise and lower ramp several times to bleed air from system.
6. Raise and lock ramp (see your -10).
7. Stop engine (see your -10).

END OF TASK

SERVICE HYDRAULIC RESERVOIR

0669 00

THIS WORK PACKAGE COVERS:

- Removal (page 0669 00-1).
 - Cleaning, Inspection, and Repair (page 0669 00-2).
 - Installation (page 0669 00-3).
-

INITIAL SETUP:

Maintenance Level

Unit

References

See your -10

Tools and Special Tools

General Mechanic's Tool Kit (WP 0926 00, Item 65)

Equipment Condition

- Ramp lowered (see your -10)
- Power plant upper rear access panel removed (see your -10)
- Driver's power plant access panel removed (see your -10)
- Hydraulic reservoir removed (WP 0671 00)

Materials/Parts

- Cleaning Compound (WP 0928 00, Item 19)
- Lockwasher (4)
- Preformed packing

Personnel Required

Unit Mechanic

REMOVAL

WARNING



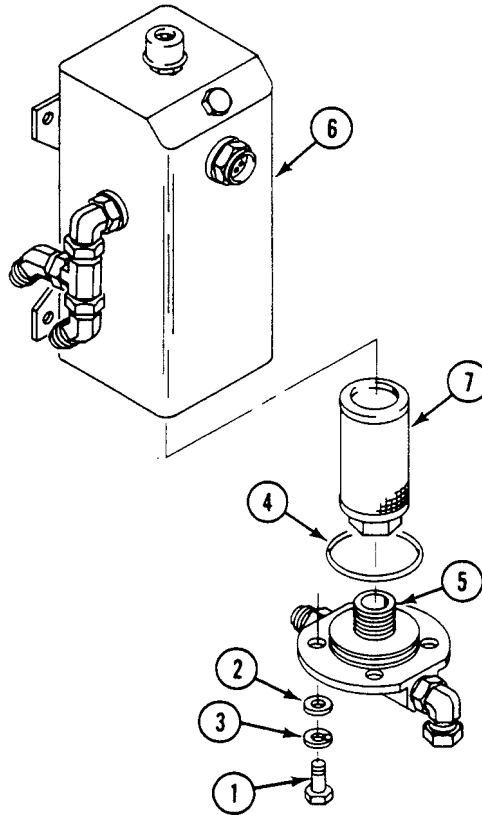
Fire Resistant Hydraulic fluid (FRH) is toxic if absorbed through skin or ingested.

- Do not service hydraulic system when FRH is hot or pressurized.**
- Wear gloves and avoid contact with skin.**
- If FRH contacts skin, wash immediately with soap.**
- If FRH gets into eyes, wash with lots of water for 15 minutes and get medical attention.**
- If FRH is swallowed, get medical attention.**

CAUTION

Hydraulic lines, tubes, valves, and components can be damaged. Install covers on disconnected hydraulic lines, tubes, valves, and components during maintenance. Use tape, cloth, cardboard, or any appropriate material to prevent damage to components or accidental hydraulic spills.

1. Remove four bolts (1), washers (2), lockwashers (3), preformed packing (4), and adapter (5) from reservoir (6). Discard lockwashers and packing.
2. Remove strainer (7) from adapter (5).



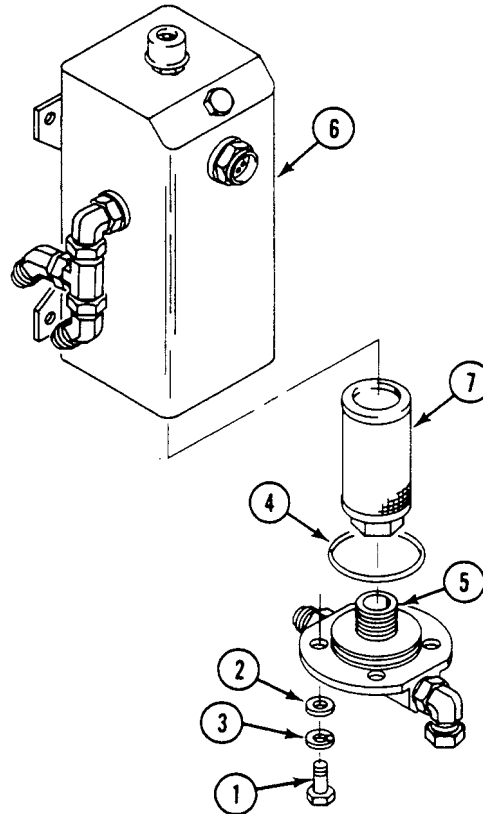
CLEANING

CLEANING, INSPECTION, AND REPAIR

1. Clean strainer with cleaning compound.
2. Clean interior of reservoir with lint free cloth and cleaning compound.

INSTALLATION

1. Install new preformed packing (4) and strainer (7) on adapter (5).
2. Install adapter (5) in reservoir (6). Secure with four washers (2), new lockwashers (3), and bolts (1).

**FOLLOW-THROUGH STEPS**

1. Install hydraulic reservoir (WP 0671 00).
2. Start engine (see your -10). Check for hydraulic leaks.
3. Raise and lower ramp several times to bleed air from system (see your -10).
4. Install power plant upper rear access panel (see your -10).
5. Install driver's power plant access panel (see your -10).
6. Raise and lock ramp (see your -10).
7. Stop engine (see your -10).

END OF TASK

SERVICE HYDRAULIC RESERVOIR BREATHER

0670 00

THIS WORK PACKAGE COVERS:

- Removal (page 0670 00-1).
 - Cleaning (page 0670 00-2).
 - Installation (page 0670 00-2).
-

INITIAL SETUP:

Maintenance Level

Unit

References

See your -10

Tools and Special Tools

General Mechanic's Tool Kit (WP 0926 00, Item 65)

Equipment Condition

Engine stopped (see your -10)

Materials/Parts

Cleaning Compound (WP 0928 00, Item 19)

Sealing compound (WP 0928 00, Item 56)

Carrier blocked (see your -10)

Personnel Required

Unit Mechanic

Power plant upper rear access panel removed
(see your -10)

REMOVAL

WARNING



Fire Resistant Hydraulic fluid (FRH) is toxic if absorbed through skin or ingested.

Do not service hydraulic system when FRH is hot or pressurized.

Wear gloves and avoid contact with skin.

If FRH contacts skin, wash immediately with soap.

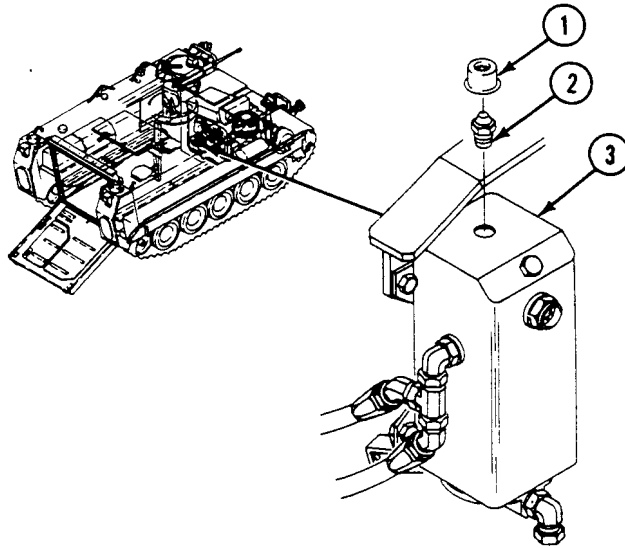
If FRH gets into eyes, wash with lots of water for 15 minutes and get medical attention.

If FRH is swallowed, get medical attention.

NOTE

Breather must be serviced every 75 hours, 750 miles (1200 km), or semi-annually.

1. Remove breather (1) and adapter (2) from reservoir (3).

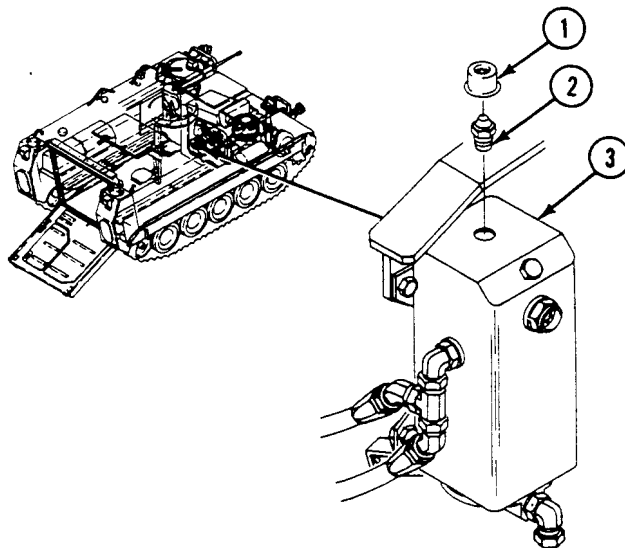


CLEANING

1. Wash breather in cleaning compound.

INSTALLATION

1. Coat threads of adapter (2) with sealing compound, and install adapter and breather (1) in reservoir (3).



FOLLOW-THROUGH STEPS

1. Install power plant upper rear access panel (see your -10).

END OF TASK

REPLACE HYDRAULIC RESERVOIR

0671 00

THIS WORK PACKAGE COVERS:

Removal (page 0671 00-1).
 Installation (page 0671 00-3).

INITIAL SETUP:

Maintenance Level

Unit

References

See your -10

Tools and Special Tools

General Mechanic's Tool Kit (WP 0926 00, Item 65)

Equipment Condition

Engine stopped (see your -10)
 Carrier blocked (see your -10)
 Power plant rear access panel removed (see your -10)
 Driver's power plant access panel removed (see your -10)

Materials/Parts

Locknut (3)
 Suitable container

Personnel Required

Unit Mechanic

REMOVAL

WARNING



Fire Resistant Hydraulic fluid (FRH) is toxic if absorbed through skin or ingested.

Do not service hydraulic system when FRH is hot or pressurized.

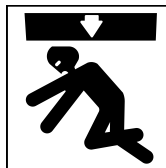
Wear gloves and avoid contact with skin.

If FRH contacts skin, wash immediately with soap.

If FRH gets into eyes, wash with lots of water for 15 minutes and get medical attention.

If FRH is swallowed, get medical attention.

WARNING



Unlocked ramp can fall open suddenly. Personnel can be killed or injured. Lower ramp before disconnecting hydraulic lines.

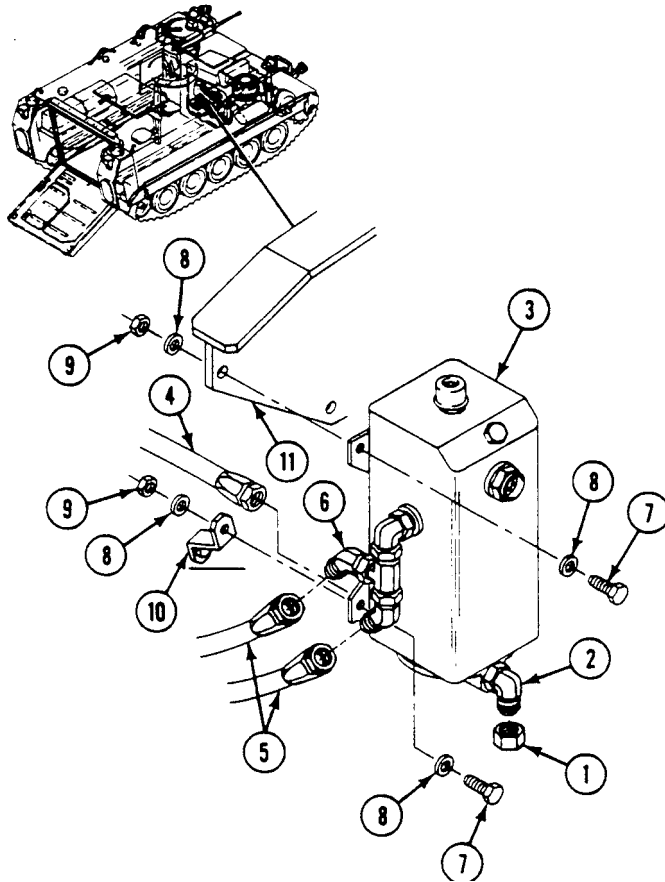
CAUTION

Do not allow hydraulic fluid to spill or drain on the generator. Cover generator with appropriate material to prevent damage.

REPLACE HYDRAULIC RESERVOIR — Continued

0671 00

1. Remove cap (1) from elbow (2). Using a suitable container, drain hydraulic reservoir (3). Install cap (1).
2. Disconnect pump to strainer hose (4) from the bottom of reservoir (3).
3. Disconnect two return hoses (5) from elbows (6) on side of reservoir (3).
4. Remove three screws (7), six washers (8), and three locknuts (9) that secure reservoir (3) to brackets (10)(11). Remove reservoir. Discard locknuts.



INSTALLATION

WARNING

Fire Resistant Hydraulic fluid (FRH) is toxic if absorbed through skin or ingested.

Do not service hydraulic system when FRH is hot or pressurized.

Wear gloves and avoid contact with skin.

If FRH contacts skin, wash immediately with soap.

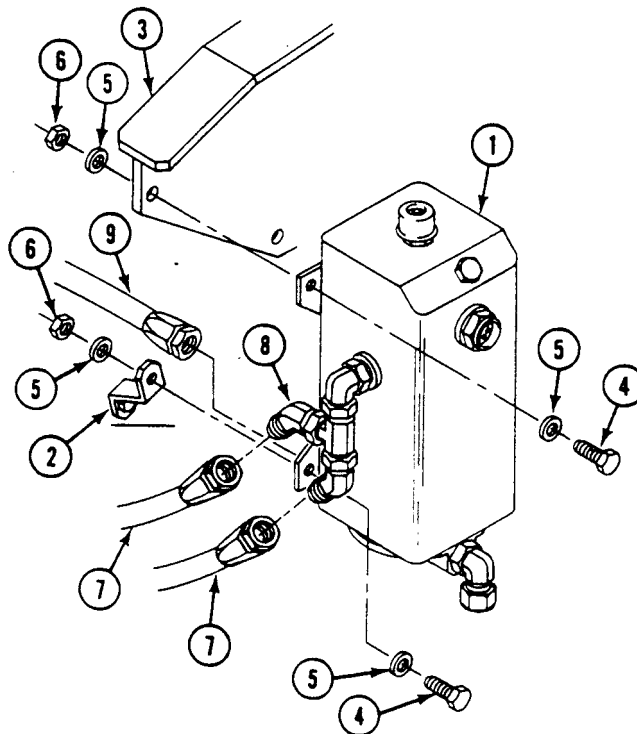
If FRH gets into eyes, wash with lots of water for 15 minutes and get medical attention.

If FRH is swallowed, get medical attention.

NOTE

Care must be taken not to contaminate the hydraulic system.

1. Install reservoir (1) and secure to brackets (2)(3) with three screws (4), six washers (5), and three new locknuts (6).
2. Connect two return hoses (7) to elbows (8) on side of reservoir (1).
3. Connect pump to strainer hose (9) to bottom of reservoir (1).



4. Fill hydraulic reservoir (WP 0155 00).

FOLLOW-THROUGH STEPS

1. Start engine (see your -10).
2. Check for hydraulic leaks.
3. Raise and lower ramp several times to bleed air from system (see your -10).
4. Install driver's power plant access panel (see your -10).
5. Install power plant rear access panel (see your -10).
6. Raise and lock ramp (see your -10).
7. Stop engine (see your -10).

END OF TASK

REPAIR HYDRAULIC RESERVOIR

0672 00

THIS WORK PACKAGE COVERS:

Disassembly (page 0672 00-1).
 Assembly (page 0672 00-3).

INITIAL SETUP:

Maintenance Level

Unit

Preformed packing

Preformed packing (2)

Preformed packing (2)

Tools and Special Tools

General Mechanic's Tool Kit (WP 0926 00, Item 65)

Personnel Required

Unit Mechanic

Materials/Parts

Sealing compound WP 0928 00, Item 56

Lockwasher (4)

Equipment Condition

Hydraulic reservoir removed (WP 0671 00)

DISASSEMBLY

WARNING



Fire Resistant Hydraulic fluid (FRH) is toxic if absorbed through skin or ingested.

Do not service hydraulic system when FRH is hot or pressurized.

Wear gloves and avoid contact with skin.

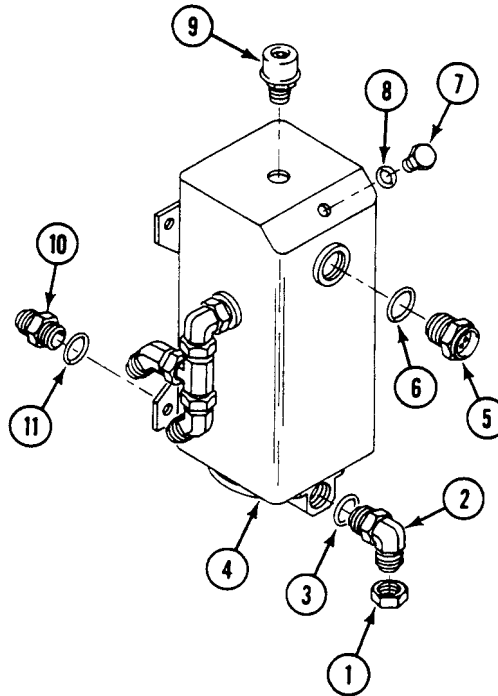
If FRH contacts skin, wash immediately with soap.

If FRH gets into eyes, wash with lots of water for 15 minutes and get medical attention.

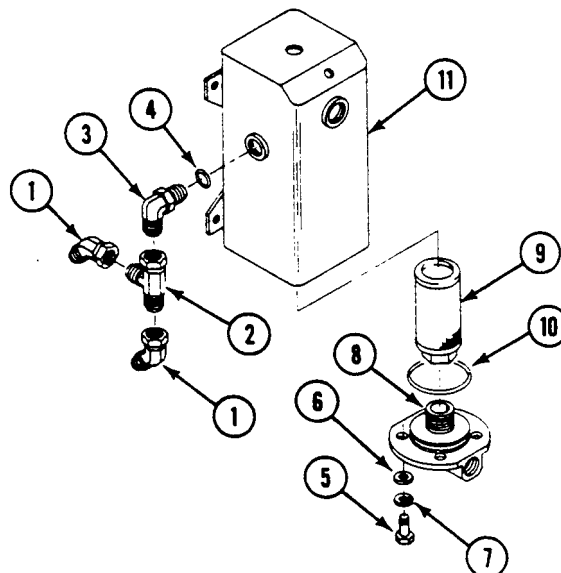
If FRH is swallowed, get medical attention.

1. Remove cap (1), elbow (2), and preformed packing (3) from reservoir (4). Discard packing.
2. Remove liquid sight indicator (5) and preformed packing (6). Discard packing.
3. Remove plug (7) and preformed packing (8). Discard packing.
4. Remove breather (9) from top of reservoir.

5. Remove adapter (10) and preformed packing (11). Discard packing.



6. Remove two elbows (1), tee (2), elbow (3), and preformed packing (4). Discard packing.
7. Remove four screws (5), washers (6), lockwashers (7), and adapter (8) with filter (9) and preformed packing (10). Discard packing and lockwashers.
8. Remove filter (9) from adapter (8).



ASSEMBLY

WARNING

Fire Resistant Hydraulic fluid (FRH) is toxic if absorbed through skin or ingested.

Do not service hydraulic system when FRH is hot or pressurized.

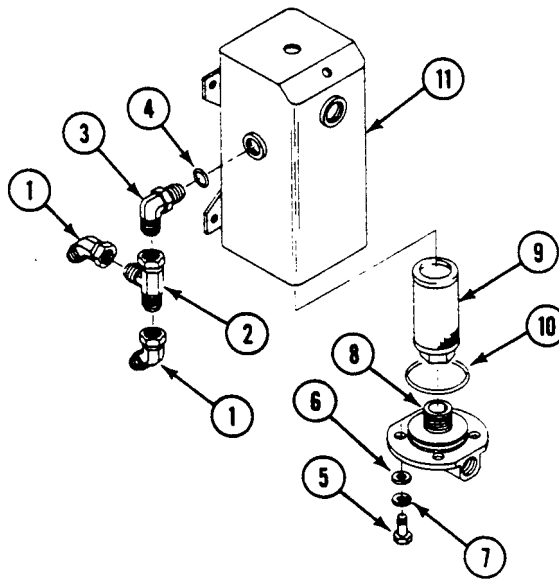
Wear gloves and avoid contact with skin.

If FRH contacts skin, wash immediately with soap.

If FRH gets into eyes, wash with lots of water for 15 minutes and get medical attention.

If FRH is swallowed, get medical attention.

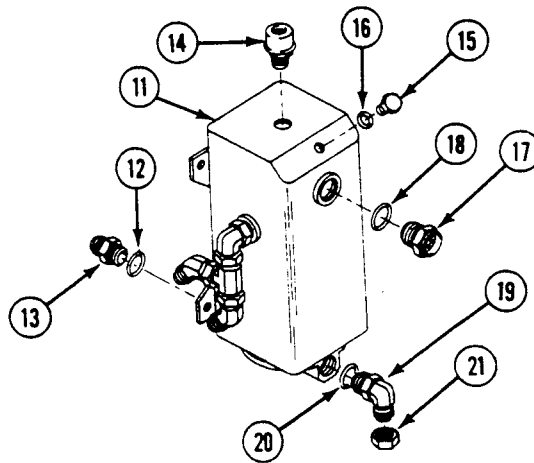
1. Install filter (9) on adapter (8).
2. Install new preformed packing (10), filter (9), adapter (8), four new lockwashers (7), washers (6), and screws (5) in bottom of reservoir (11).
3. Install new preformed packing (4), elbow (3), tee (2), and two elbows (1) on side of reservoir (11).



REPAIR HYDRAULIC RESERVOIR — Continued

0672 00

4. Install new preformed packing (12) and adapter (13) on side of reservoir (11).
5. Apply sealing compound to the male threads of the breather (14).
6. Install breather (14) in top of reservoir (11).
7. Install fill plug (15) and new preformed packing (16).
8. Install liquid indicator sight (17) and new preformed packing (18).
9. Install elbow (19), new preformed packing (20), and cap (21).

**FOLLOW-THROUGH STEPS**

1. Install hydraulic reservoir (WP 0671 00).

END OF TASK

CHAPTER 20

UNIT MAINTENANCE INSTRUCTIONS
FOR TOOLS AND TEST EQUIPMENT

WORK PACKAGE INDEX

Title

Sequence No.

INSPECT POWER PLANT SLING.....0673 00

INSPECT POWER PLANT SLING

0673 00

THIS WORK PACKAGE COVERS:

Periodic Check (page 0673 00-2).
Preoperative Check (page 0673 00-8).

INITIAL SETUP:

Maintenance Level

Unit

Personnel Required

Unit Mechanic

Tools and Special Tools

General Mechanic's Tool Kit (WP 0926 00, Item 65)
Drill Set (WP 0926 00, Item 18)
Measuring Tape (WP 0926 00, Item 58)
Suitable Lifting Device

Equipment Condition

Sling suspended from suitable lifting device

INSPECTION-ACCEPTANCE AND REJECTION CRITERIA

PERIODIC CHECK

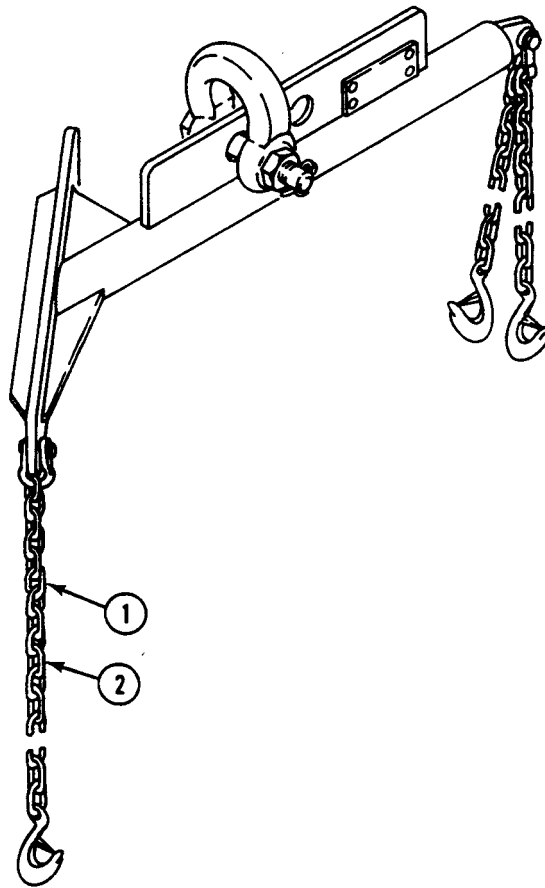
WARNING

Damaged lifting slings can fall with load. Personnel can be injured or killed. Inspect all slings. Do not use damaged slings.

NOTE

Chains are inspected on a link by link basis with the chain slack.

1. Check chains (1) for excessive wear.
 - a. For 9/32 inch (7 mm) chain, if any link (2) is worn at any point in excess of 3/64 inch (1 mm) or chain size is less than 15/64 inch (6 mm) in diameter, remove sling from service. Use drill set as No-Go gauge and/or caliper.
 - b. For 3/8 inch (10 mm) chain, if any link (2) is worn at any point in excess of 5/64 inch (2 mm) or chain size is less than 19/64 inch (8 mm) in diameter, remove sling from service. Use drill set as No-Go gauge and/or caliper.



NOTE

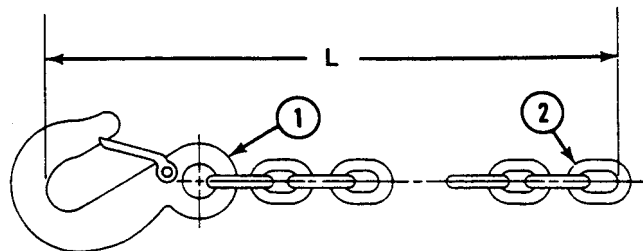
Dimension “L” or “reach” is the distance between the bearing point of hook to bearing point on coupling link while under a light load.

If identification tag attached to chain leg does not contain actual “reach” dimension, then dimension “L” must be calibrated prior to use for each chain leg and entered into maintenance record. At each inspection, chain length must be compared with initial inspection.

2. Check chains (1) for excessive stretch.

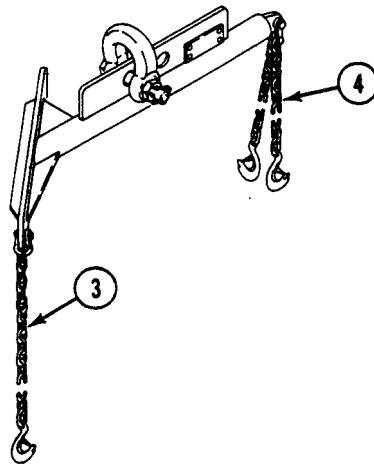
Table I

Part Number	(L) Nominal Reach	(L) Maximum Reach	Example
12350350-1	13-1/2 (34.3 cm)	2% Increase	13-3/4 (34.9 cm)
12350350-2	12-3/4 (32.4 cm)	2% Increase	13 (33 cm)
12350350-6	16-7/8 (42.9 cm)	2% Increase	17-1/5 (43.7 cm)



- a. If any link (2) does not hinge freely with adjoining link, remove sling from service.
- b. If length (L) between bearing point of hook (1) and bearing point of coupling link (2) while under light load is greater than the maximum in Table I, remove sling from service.

3. Check chains (3) for following:



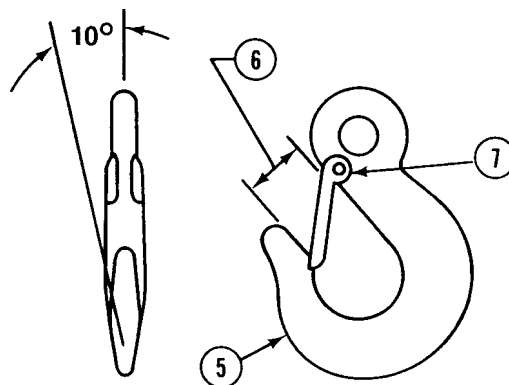
- a. If any link (4) is bent or twisted, remove sling from service.
- b. If any link (4) has a sharp transverse nick or gouge, remove sling from service.
- c. If any link (4) is modified, homemade, or length of chain is altered, remove sling from service.

NOTE

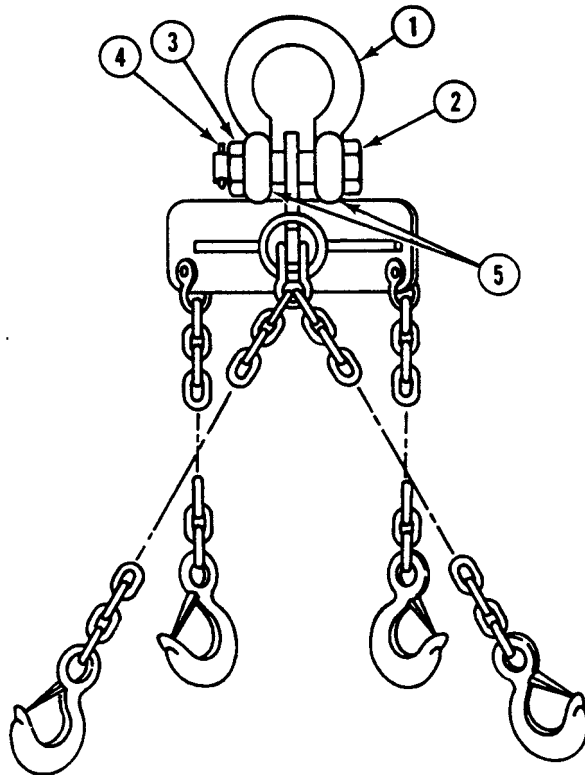
Hooks should be free of paint. Paint covers up cracks. Remove all paint from hooks.

4. Inspect hooks (5) for following:

- a. If any cracks are found on hooks (5), remove sling from service.
- b. If throat opening (6) exceeds 1-7/64 inch (28 mm), remove sling from service.
- c. If twisting exceeds 10° from centerline, remove sling from service.
- d. Inspect safety closure latch (7). If any latch is damaged, remove sling from service.



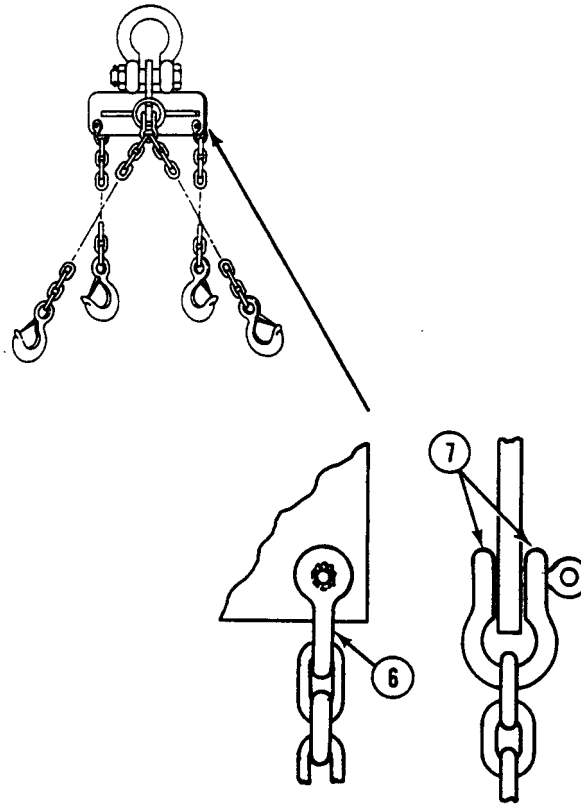
5. Inspect lifting shackle (1) for following:
- Verify correct lifting shackle (1) is being used. Part number 12328579 and/or SWL21T should be visible in raised letters.
 - Verify correct bolt (2) is being used. Diameter of bolt should be 1-3/8 inch (35 mm), and bolt head should be marked with HS in raised letters. Nut (3) should be snug and a cotter pin (4) must be installed through bolt.
 - If any cracks are found in lifting shackle (1), remove sling from service.
 - Lifting shackle (1) must have a minimum width of 1-31/32 inch (5 cm) between eyes (5). If shackle has a visible decrease in eye width or bending and deformation and damaged threads, remove sling from service.



NOTE

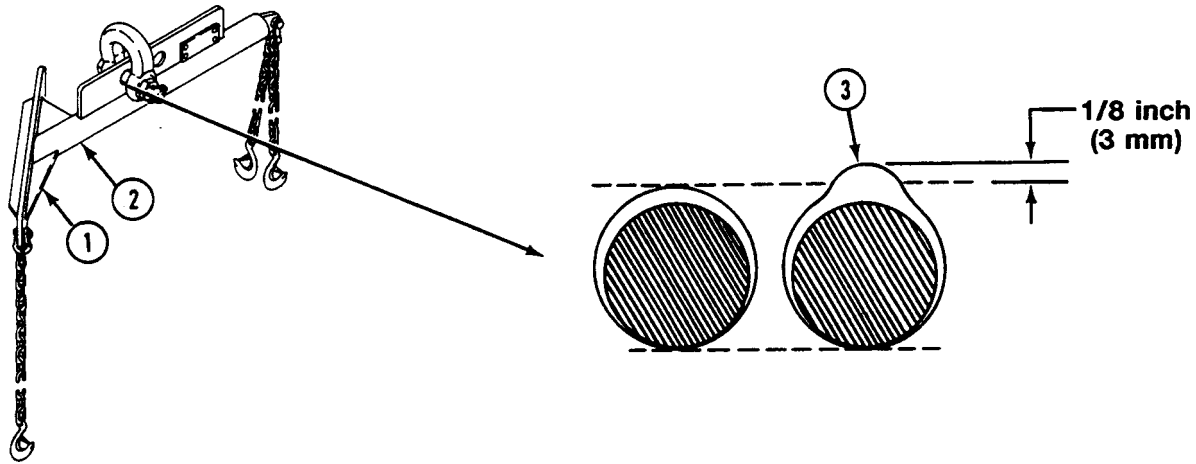
Make sure pin is secure in shackle.

6. Inspect welded shackles (6) for following:



- a. If any welds are cracked or missing, remove sling from service.
- b. If welded shackle (6) has any visible decrease in width between eyes (7) or twisting, bending, and deformation, remove sling from service.

7. Inspect structural members for following:



- a. If welded joints are cracked in excess of 1/2 inch (13 mm) or 25% of length of weld in gusset (1) to cross beam (2) area, remove sling from service.

NOTE

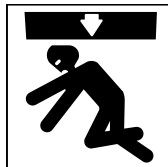
Use straight edge to measure cross beam bend.

- b. If cross beam is bent or twisted in excess of 1/4 inch (6 mm) at ends of cross beam, remove sling from service. Do not attempt to straighten a bent cross beam.
- c. If lifting hole (3) is elongated in excess of 1/8 inch (3 mm), remove sling from service.

8. Complete required forms.

PREOPERATIVE CHECK

WARNING



Damaged lifting slings can fall with load. Personnel can be injured or killed. Inspect all slings. Do not use damaged slings.

NOTE

Chains are inspected on a link by link basis with the chain slack.

- 1. Do Step 2a and Steps 3 - 8 of Periodic Check.

END OF TASK

CHAPTER 21

UNIT MAINTENANCE INSTRUCTIONS
FOR AUXILIARY GENERATOR

WORK PACKAGE INDEX

<u>Title</u>	<u>Sequence No.</u>
REPLACE GENERATOR SET ENCLOSURE (M577A3 AND M1068A3 ONLY).....	0674 00
REPLACE 5.0 KW AUXILIARY POWER UNIT (M577A3 AND M1068A3 ONLY).....	0675 00
REPLACE AUXILIARY POWER UNIT FUEL SHUTOFF VALVE (M577A3 AND M1068A3 ONLY).....	0676 00
REPLACE AUXILIARY POWER UNIT VALVE-TO-BULKHEAD FUEL SUPPLY HOSES (M577A3 AND M1068A3 ONLY).....	0677 00
REPLACE AUXILIARY POWER UNIT BULKHEAD-TO-HULL FUEL SUPPLY HOSES (M577A3 AND M1068A3 ONLY).....	0678 00

REPLACE GENERATOR SET ENCLOSURE (M577A3 AND M1068A3 ONLY)

0674 00

THIS WORK PACKAGE COVERS:

Removal (page 0674 00-2).
 Installation (page 0674 00-3).

INITIAL SETUP:

Maintenance Level

Unit

Personnel Required

Unit Mechanic

Tools and Special Tools

General Mechanic's Tool Kit (WP 0926 00, Item 65)
 Torque Wrench (WP 0926 00, Item 82)
 Sling (WP 0926 00, Item 47)

References

See your -10

Materials/Parts

Cotter Pin (4)
 Locknut (2)

Equipment Condition

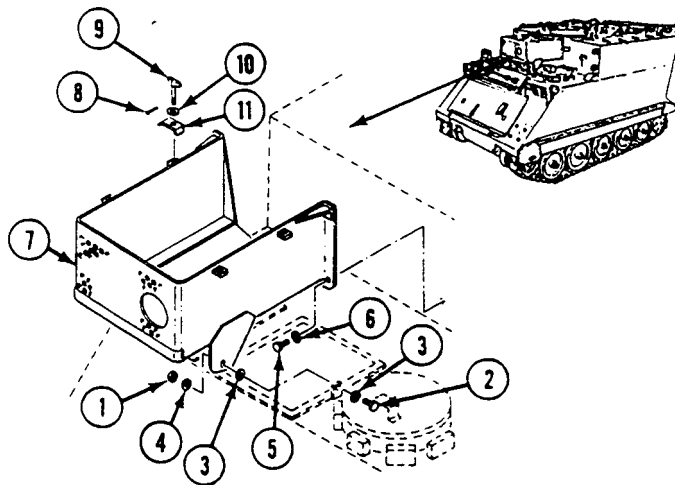
Engine stopped (see your -10)
 Carrier blocked (see your -10)
 Generator set removed (see your -10)

REMOVAL

WARNING

Lifting or moving objects in excess of 70 lbs (32 kg) could injure you. Make sure to get an assistant or use a lifting device to move generator set enclosure or other heavy objects.

1. Remove two locknuts (1), screws (2), washers (3), and washers (4) from two hull lugs. Discard locknuts.
2. Remove four screws (5), washers (6), and generator set enclosure (7) from bulkhead.
3. Remove four cotter pins (8) from thumbscrews (9). Discard cotter pins.
4. Remove four thumbscrews (9), washers (10), and clamps (11) from enclosure (7).
5. Remove enclosure (7).



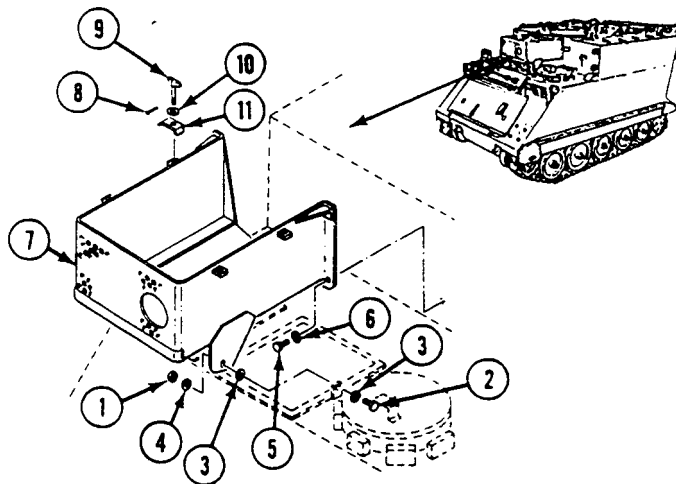
INSTALLATION

WARNING



Lifting or moving objects in excess of 70 lbs (32 kg) could injure you. Make sure to get an assistant or use a lifting device to move generator set enclosure or other heavy objects.

1. Install enclosure (7).
2. Install four clamps (11), washers (10), and thumbscrews (9) in generator set enclosure (7). Secure with four new cotter pins (8).
3. Place enclosure (7) on bulkhead. Secure with four washers (6) and screws (5). **TIGHTEN SCREWS TO 55-60 LB-FT (75-81 N·m) TORQUE.**
4. If needed, add washers (4) to remove play between enclosure (7) and hull lugs.
5. Align enclosure (7) with two hull lugs. Secure with two washers (4), washers (3), screws (2), and new locknuts (1).



FOLLOW-THROUGH STEPS

1. Install generator set (see your -10).

END OF TASK

REPLACE 5.0 KW AUXILIARY POWER UNIT (M577A3 AND M1068A3 ONLY)

0675 00

THIS WORK PACKAGE COVERS:

INITIAL SETUP:

Maintenance Level

Unit

References

TM 9-6115-664-13&P

NOTE

Refer to TM9-6115-664-13&P for all maintenance procedures.

END OF TASK

REPLACE AUXILIARY POWER UNIT FUEL SHUTOFF VALVE (M577A3 AND M1068A3 ONLY)

0676 00

THIS WORK PACKAGE COVERS:

Removal (page 0676 00-2).
 Installation (page 0676 00-3).

INITIAL SETUP:

Maintenance Level

Unit

References

See your -10

Tools and Special Tools

General Mechanic's Tool Kit (WP 0926 00, Item 65)

Equipment Condition

Engine stopped (see your -10)
 Carrier blocked (see your -10)
 Ramp lowered (see your -10)
 Battery ground lead disconnected (WP 0338 00)
 Rear floor plate removed (WP 0539 00) or (WP 0544 00)
 Auxiliary equipment fuel shutoff valve closed
 (see your -10)

Materials/Parts

Sealing compound (WP 0928 00, Item 56)
 Locknut

Personnel Required

Unit Mechanic

REPLACE AUXILIARY POWER UNIT FUEL SHUTOFF VALVE (M577A3 AND M1068A3 ONLY) — Continued

0676 00

REMOVAL

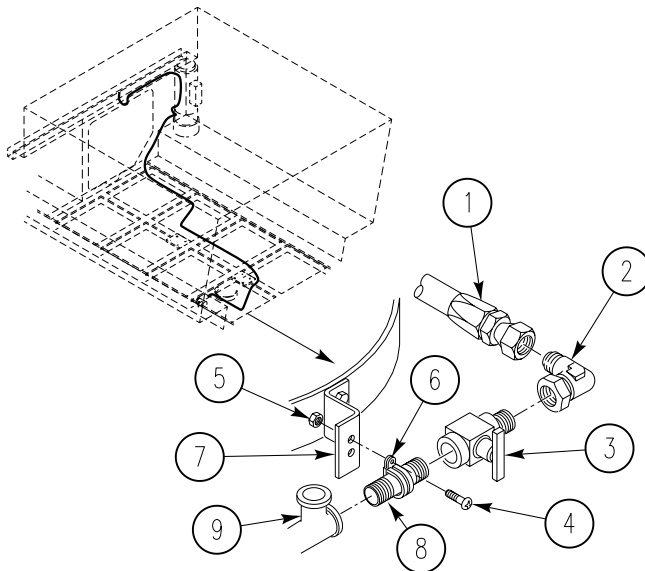
WARNING



Diesel fuel can catch fire and seriously injure or kill soldiers and damage or destroy vehicle.

Wipe up fuel spills immediately. Do not smoke near fuel or when working on the fuel system.

1. Disconnect hose (1) from elbow (2) on fuel shutoff valve (3).
2. Remove elbow (2) from shutoff valve (3).
3. Remove screw (4), locknut (5), and clamp (6) from bracket (7). Remove clamp from nipple (8). Discard locknut.
4. Remove shutoff valve (3) from nipple (8).
5. Remove nipple (8) from tee (9).

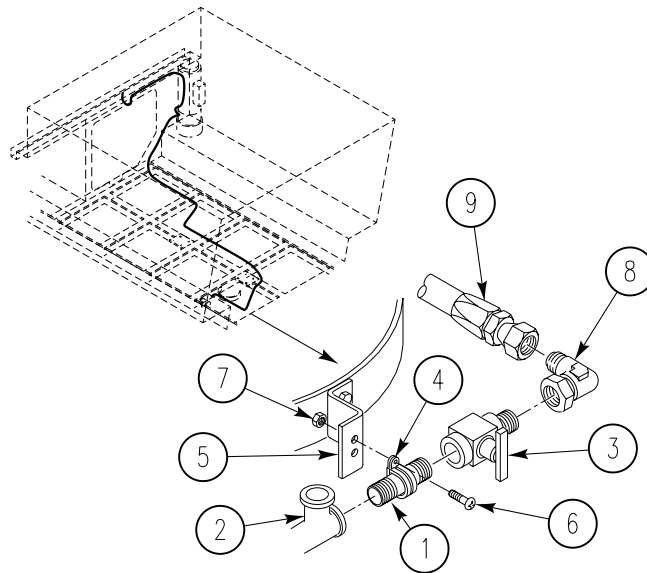


REPLACE AUXILIARY POWER UNIT FUEL SHUTOFF VALVE (M577A3 AND M1068A3 ONLY) — Continued

0676 00

INSTALLATION

1. Apply light coat of sealing compound to all external tapered threads. Do not apply sealant beyond small end of tapered threads.
2. Install nipple (1) in tee (2).
3. Install shutoff valve (3) on nipple (1).
4. Place clamp (4) on nipple (1). Secure clamp to bracket (5) with screw (6) and new locknut (7).
5. Install elbow (8) on shutoff valve (3).
6. Connect hose (9) to elbow (8).

**FOLLOW-THROUGH STEPS**

1. Open auxiliary equipment fuel shutoff valve (see your -10).
2. Connect battery ground lead (WP 0338 00).
3. Start auxiliary power unit (see your -10). Check all fittings for leaks. Turn auxiliary power unit off.
4. Install rear floor plate (WP 0539 00) or (WP 0544 00).
5. Raise and lock ramp (see your -10).
6. Stop engine (see your -10).

END OF TASK

**REPLACE AUXILIARY POWER UNIT VALVE-TO-BULKHEAD FUEL SUPPLY
HOSES (M577A3 AND M1068A3 ONLY)**

0677 00

THIS WORK PACKAGE COVERS:

Removal (page 0677 00-2).
Installation (page 0677 00-4).

INITIAL SETUP:

Maintenance Level

Unit

References

See your -10

Tools and Special Tools

General Mechanic's Tool Kit (WP 0926 00, Item 65)

Equipment Condition

Engine stopped (see your -10)
Carrier blocked (see your -10)
Ramp lowered (see your -10)
Battery ground lead disconnected (WP 0338 00)
Personnel heater duct removed (WP 0706 00)
Right front and rear floor plates removed (WP 0539 00)
or (WP 0544 00)
Auxiliary power unit fuel shutoff valve closed
(see your -10)

Materials/Parts

Strap (6)
Lockwasher (3)
Lockwasher (2)

Personnel Required

Unit Mechanic

**REPLACE AUXILIARY POWER UNIT VALVE-TO-BULKHEAD FUEL SUPPLY HOSES
(M577A3 AND M1068A3 ONLY) — Continued**

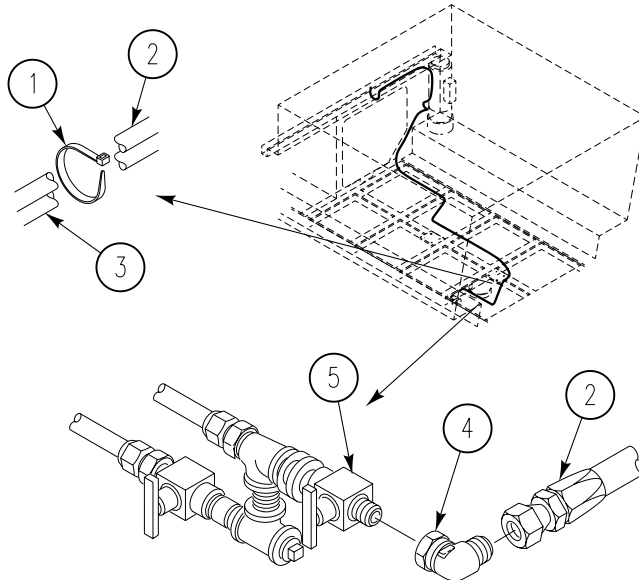
0677 00

REMOVAL**WARNING**

Diesel fuel can catch fire and seriously injure or kill soldiers and damage or destroy vehicle.

Wipe up fuel spills immediately. Do not smoke near fuel or when working on the fuel system.

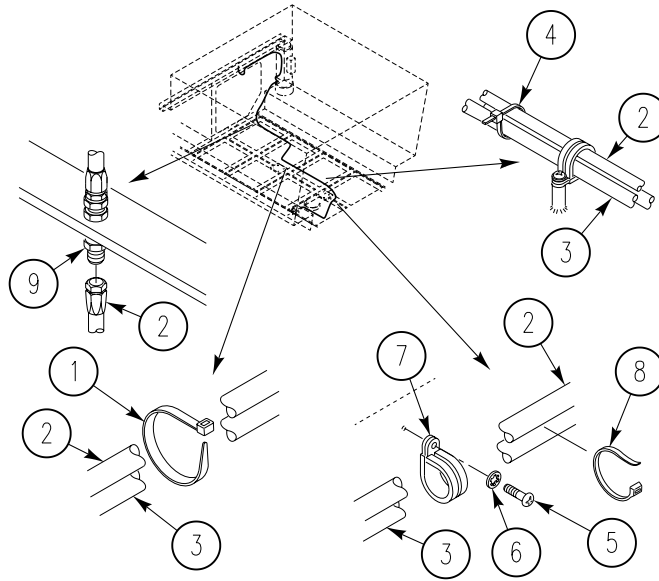
1. Remove two straps (1) holding fuel hose (2) to other hoses (3). Discard straps.
2. Disconnect fuel hose (2) from elbow (4) on fuel shutoff valve (5). Remove hose from carrier.



**REPLACE AUXILIARY POWER UNIT VALVE-TO-BULKHEAD FUEL SUPPLY HOSES
(M577A3 AND M1068A3 ONLY) — Continued**

0677 00

3. Remove six straps (1) holding fuel hose (2) to other hoses (3). Discard straps.
4. Remove nine straps (4) holding fuel hose (2) to other hoses (3).
5. Remove screw (5), lockwasher (6), clamp (7), and strap (8) securing fuel hose (2) and other hose (3) to weldnut on hull floor and to side of seat support. Discard lockwasher and strap.
6. Disconnect fuel hose (2) from nipple (9) in bulkhead crossbeam. Remove hose from carrier.



**REPLACE AUXILIARY POWER UNIT VALVE-TO-BULKHEAD FUEL SUPPLY HOSES
(M577A3 AND M1068A3 ONLY) — Continued**

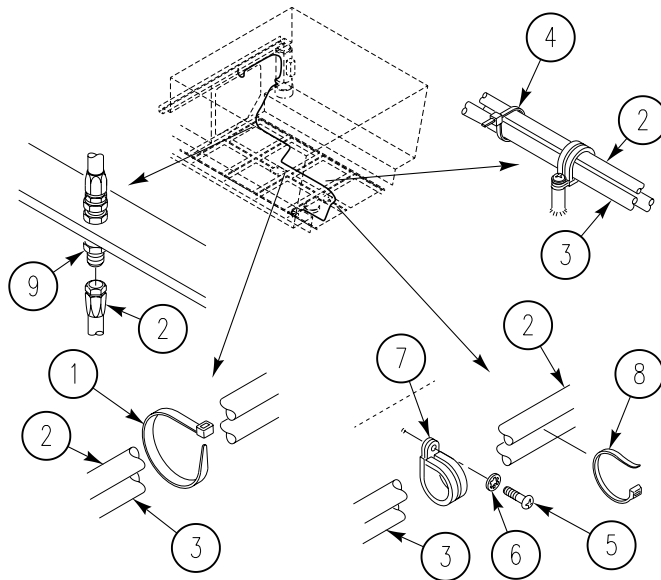
0677 00

INSTALLATION

NOTE

Replacing a flareless fuel hose may also require new mating fittings such as a nipple.

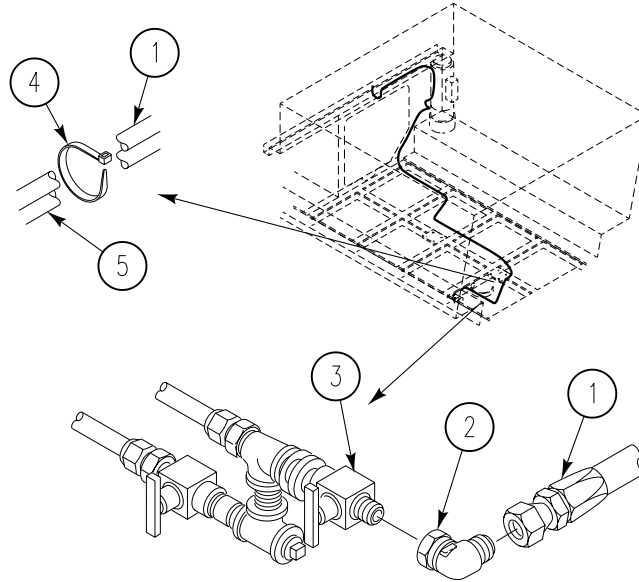
1. Connect fuel hose (2) to nipple (9) in bulkhead crossbeam. Route hose to rear of carrier.
2. Install clamp (7) on fuel hose (2). Secure clamp to weldnut on hull floor and to side of seat support with screw (5) and new lockwasher (6). Install new strap (8) around fuel hose (2) and other hose (3).
3. Secure fuel hose (2) to other hoses (3) with nine straps (4).
4. Secure fuel hose (2) to other hoses (3) with six new straps (1).



**REPLACE AUXILIARY POWER UNIT VALVE-TO-BULKHEAD FUEL SUPPLY HOSES
(M577A3 AND M1068A3 ONLY) — Continued**

0677 00

5. Connect fuel hose (1) to elbow (2) on fuel shutoff valve (3).
6. Install two new straps (4) on fuel hose (1) and other hose (5).

**FOLLOW-THROUGH STEPS**

1. Open auxiliary power unit fuel shutoff valve (see your -10).
2. Connect battery ground lead (WP 0338 00).
3. Start auxiliary power unit (see your -10). Check all fittings for leaks. Turn auxiliary power unit off.
4. Install right front and rear floor plates (WP 0539 00) or (WP 0544 00).
5. Install personnel heater duct (WP 0706 00).
6. Raise and lock ramp (see your -10).
7. Stop engine (see your -10).

END OF TASK

REPLACE AUXILIARY POWER UNIT BULKHEAD-TO-HULL FUEL SUPPLY HOSES (M577A3 AND M1068A3 ONLY)

0678 00

THIS WORK PACKAGE COVERS:

Removal (page 0678 00-2).
 Installation (page 0678 00-4).

INITIAL SETUP:

Maintenance Level

Unit

References

See your -10

Tools and Special Tools

General Mechanic's Tool Kit (WP 0926 00, Item 65)

Equipment Condition

Engine stopped (see your -10)
 Carrier blocked (see your -10)
 Ramp lowered (see your -10)
 Battery ground lead disconnected (WP 0338 00)
 Personnel heater duct removed (WP 0706 00)
 Right front floor plate removed (WP 0539 00) or
 (WP 0544 00)
 Power plant rear access panel removed (WP 0439 00)
 Auxiliary power unit fuel shutoff valve closed
 (see your -10)

Materials/Parts

Gasket
 Lockwasher (2)
 Locknut (2)
 Strap (5)
 Sleeve (3)

Personnel Required

Unit Mechanic

**REPLACE AUXILIARY POWER UNIT BULKHEAD-TO-HULL FUEL SUPPLY HOSES
(M577A3 AND M1068A3 ONLY) — Continued**

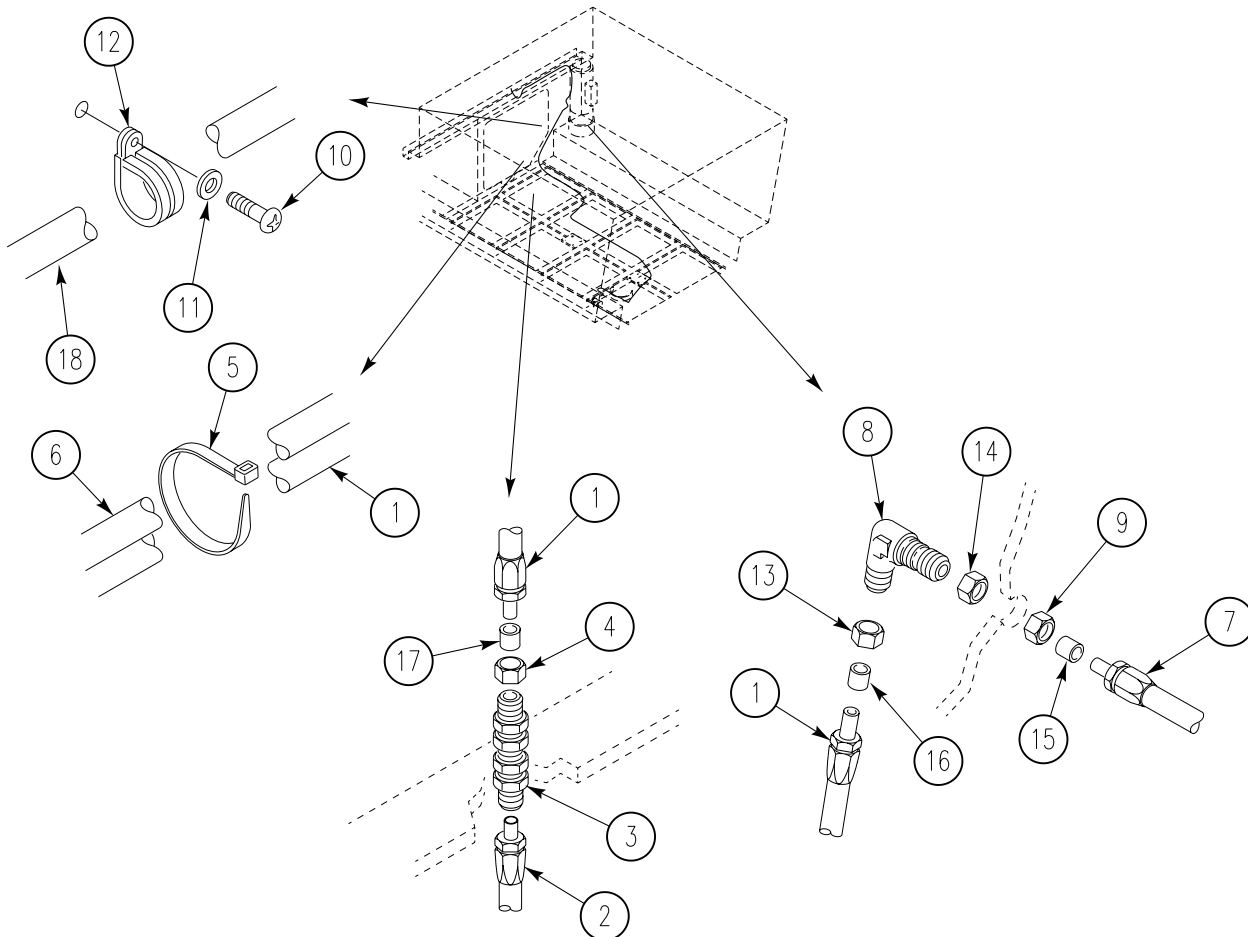
0678 00

REMOVAL
WARNING


Diesel fuel can catch fire and seriously injure or kill soldiers and damage or destroy vehicle.

Wipe up fuel spills immediately. Do not smoke near fuel or when working on the fuel system.

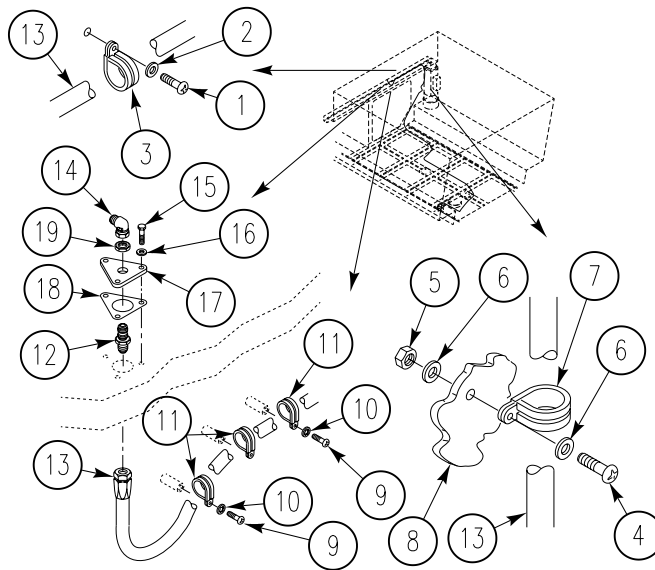
1. Disconnect fuel hoses (1) and (2) from nipple (3) in bulkhead crossbeam.
2. Remove jamnut (4) and nipple (3) from bulkhead crossbeam.
3. Remove two straps (5) holding fuel hose (1) to personnel heater fuel hose (6).
4. Disconnect fuel hoses (1) and (7) from jamnuts (13) and (14), and elbow (8) in bulkhead.
5. Remove jamnut (9) and elbow (8) from bulkhead.
6. Remove screw (10), lockwasher (11), and clamp (12) from fuel supply hose (18). Discard lockwasher.



**REPLACE AUXILIARY POWER UNIT BULKHEAD-TO-HULL FUEL SUPPLY HOSES
(M577A3 AND M1068A3 ONLY) — Continued**

0678 00

7. Remove three screws (1), lockwashers (2), and clamps (3) from fuel hose (13). Discard lockwashers.
8. Remove screw (4), locknut (5), two washers (6), and clamp (7) securing fuel hose (13) to personnel heater shield (8). Remove clamps from hose. Discard locknut.
9. Remove screw (9), lockwasher (10), and clamp (11) securing fuel hose (13) to bulkhead crossbeam. Remove clamp from hose. Discard lockwasher.
10. Disconnect fuel hose (13) from nipple (12) in hull ceiling.
11. Remove elbow (14) from nipple (12).
12. Remove three screws (15), washers (16), flange (17), and gasket (18) from hull roof. Discard gasket.
13. Remove jamnut (19) and nipple (12) from flange (17).



**REPLACE AUXILIARY POWER UNIT BULKHEAD-TO-HULL FUEL SUPPLY HOSES
(M577A3 AND M1068A3 ONLY) — Continued**

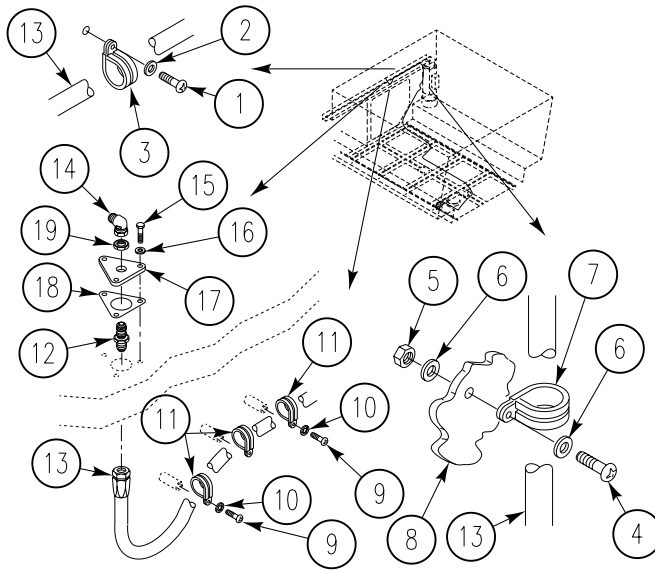
0678 00

INSTALLATION

NOTE

Replacing a flareless fuel hose may also require new mating fittings such as a nipple or elbow.

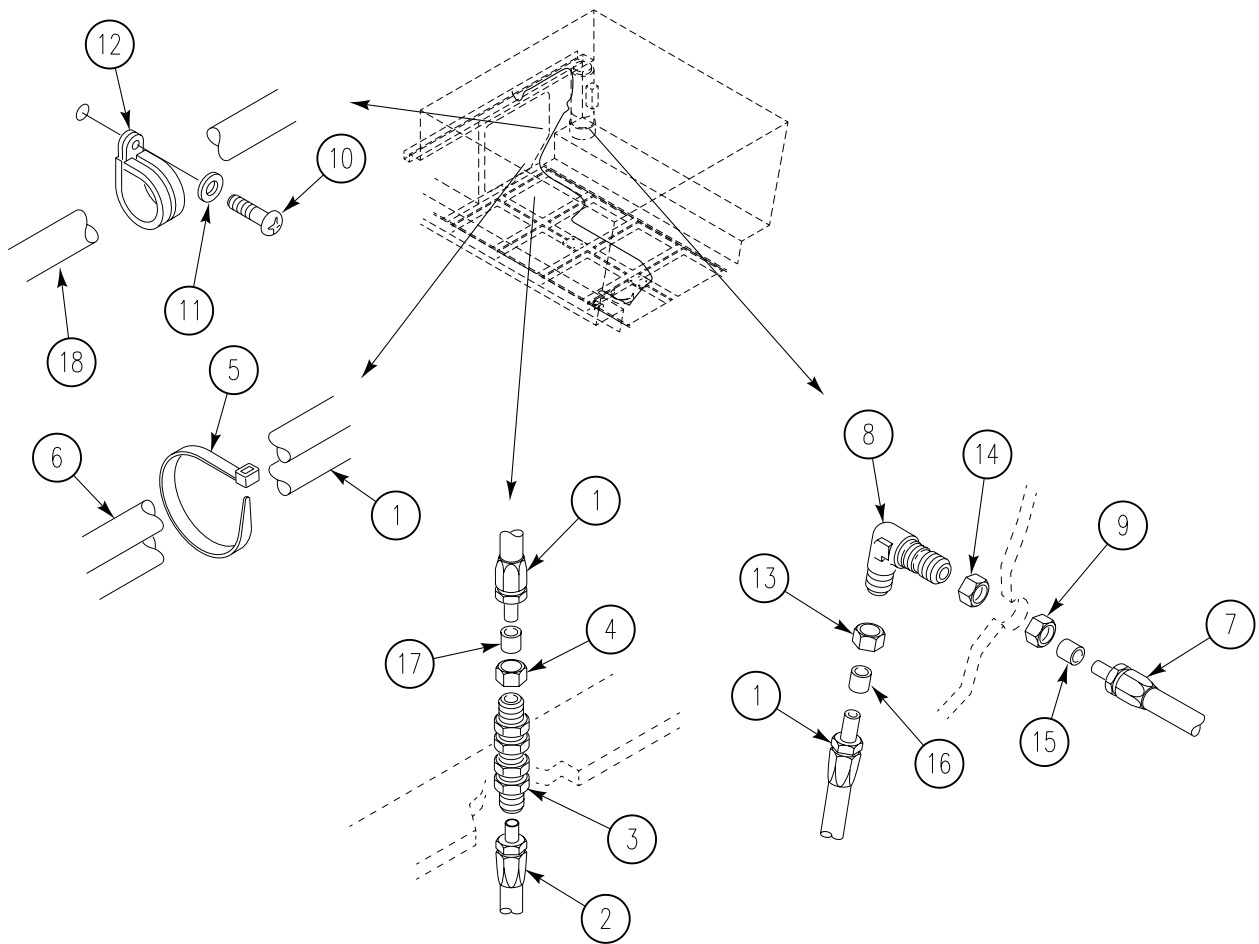
1. Install nipple (12) in flange (17) and secure with jamnut (19).
2. Install new gasket (18) and flange (17) on hull roof and secure with three screws (15) and washers (16).
3. Install elbow (14) on nipple (12).
4. Connect fuel hose (13) to nipple (12) in hull ceiling. Route hose over to personnel heater.
5. Install clamp (11) on fuel hose (13). Secure clamp to bulkhead crossbeam with screw (9) and new lockwasher (10).
6. Install clamp (7) on fuel hose (13). Secure clamp to personnel heater shield (8) with screw (4), new locknut (5), and two washers (6).
7. Secure fuel hose (13) with three clamps (3), new lockwashers (2) and screws (1).



**REPLACE AUXILIARY POWER UNIT BULKHEAD-TO-HULL FUEL SUPPLY HOSES
(M577A3 AND M1068A3 ONLY) — Continued**

0678 00

8. Install clamp (12), new lockwasher (11), and screw (10) on fuel supply hose (18).
9. Install elbow (8) in bulkhead and secure with jamnuts (14), (9).
10. Install sleeve (15) and jamnuts (14), (9) on fuel hose (7) and connect fuel hose to elbow (8).
11. Install nipple (3) in bulkhead crossbeam and secure with jamnut (4).
12. Install two new sleeves (17), (16) on fuel hose (1), and connect fuel hose (1) to elbow (8) in bulkhead and to nipple (3) in bulkhead crossbeam. Secure with jamnut (13)
13. Secure fuel hose (6) to personnel heater fuel hose (1) with two straps (5).
14. Connect fuel hose (2) to nipple (3).



FOLLOW-THROUGH STEPS

1. Open auxiliary power unit fuel shutoff valve (see your -10).
2. Connect battery ground lead (WP 0338 00).
3. Start auxiliary power unit (see your -10). Check all fittings for leaks. Turn auxiliary power unit off.
4. Install power plant rear access panel (WP 0439 00).
5. Install right front floor plate (WP 0539 00) or (WP 0544 00).

**REPLACE AUXILIARY POWER UNIT BULKHEAD-TO-HULL FUEL SUPPLY HOSES
(M577A3 AND M1068A3 ONLY) — Continued**

0678 00

6. Install personnel heater duct (WP 0706 00).
7. Raise and lock ramp (see your -10).
8. Stop engine (see your -10).

END OF TASK

CHAPTER 22

UNIT MAINTENANCE INSTRUCTIONS
FOR SPECIAL PURPOSE KITS

WORK PACKAGE INDEX

<u>Title</u>	<u>Sequence No.</u>
BLEED AIR FROM PERSONNEL HEATER FUEL LINES.....	0679 00
SERVICE PERSONNEL HEATER FUEL FILTER.....	0680 00
SERVICE PERSONNEL HEATER FUEL PUMP.....	0681 00
REPLACE HEATER AIR INTAKE AND EXHAUST PIPES (ALL EXCEPT M1064A3).....	0682 00
REPLACE HEATER AIR INTAKE AND EXHAUST PIPES(M1064A3 ONLY).....	0683 00
REPLACE FUEL SHUT-OFF VALVE ASSEMBLY (M113A3, M981A3, M1059A3, AND M58 ONLY).....	0684 00
REPLACE HEATER/FILTER FUEL SUPPLY HOSES (M113A3, M981A3, M1059A3, AND M58 ONLY).....	0685 00
REPLACE PERSONNEL HEATER FUEL TUBE (ALL EXCEPT M1064A3).....	0686 00
REPLACE BULKHEAD CONNECTION TO PERSONNEL HEATER TUBE (M577A3 AND M1068A3 ONLY).....	0687 00
REPLACE PERSONNEL HEATER FUEL FILTER, HOSES, AND FITTINGS (M1064A3 ONLY).....	0688 00
REPLACE PERSONNEL HEATER FUEL PUMP HOSE (M113A3, M981A3, M1059A3, AND M58 ONLY).....	0689 00
REPLACE FUEL TANK TO FUEL PUMP HOSE (M577A3 AND M1068A3 ONLY).....	0690 00
REPLACE FUEL PUMP TO BULKHEAD CONNECTION HOSE (M113A3, M981A3, M1059A3, AND M58 ONLY).....	0691 00
REPLACE FUEL PUMP TO BULKHEAD CONNECTION HOSE (M577A3 AND M1068A3 ONLY).....	0692 00
REPLACE PERSONNEL HEATER FUEL PUMP TO BULKHEAD CONNECTION HOSE (M901A3 ONLY).....	0693 00
REPLACE FUEL PUMP HOSE TO HEATER FUEL SHUTOFF VALVE (M901A3 AND M1064A3 ONLY).....	0694 00
REPLACE PERSONNEL HEATER FUEL PUMP (M113A3, M1059A3, AND M58 ONLY).....	0695 00
REPLACE PERSONNEL HEATER FUEL PUMP (M577A3 AND M1068A3 ONLY).....	0696 00
REPLACE HEATER FUEL PUMP (M1064A3 ONLY).....	0697 00
REPLACE PERSONNEL HEATER FUEL FILTER/BRACKET (M113A3, M1059A3, AND M58 ONLY).....	0698 00
REPLACE PERSONNEL HEATER FUEL FILTER/BRACKET (M981A3 ONLY).....	0699 00
REPLACE PERSONNEL HEATER FUEL FILTER, HOSE, TUBE, AND FITTINGS (M577A3, M901A3, AND M1068A3 ONLY).....	0700 00
REPLACE PERSONNEL HEATER CONTROL BOX.....	0701 00
REPAIR PERSONNEL HEATER CONTROL BOX.....	0702 00
REPLACE PERSONNEL HEATER ASSEMBLY (ALL EXCEPT M1064A3).....	0703 00
REPLACE PERSONNEL HEATER ASSEMBLY (M1064A3 ONLY).....	0704 00
REPAIR PERSONNEL HEATER ASSEMBLY.....	0705 00
REPLACE PERSONNEL HEATER DUCT AND HOSES.....	0706 00
REPAIR PERSONNEL HEATER DUCT.....	0707 00

CHAPTER 22

UNIT MAINTENANCE INSTRUCTIONS
FOR SPECIAL PURPOSE KITS

WORK PACKAGE INDEX (Continued)

<u>Title</u>	<u>Sequence No.</u>
SERVICE COOLANT HEATER FUEL FILTER.....	0708 00
SERVICE COOLANT HEATER FUEL PUMP.....	0709 00
DRAIN AND FILL ENGINE COOLANT HEATER SYSTEM.....	0710 00
REPLACE COOLANT HEATER FUEL PUMP HOSE.....	0711 00
REPLACE COOLANT HEATER FUEL INLET HOSE AND FITTINGS.....	0712 00
REPLACE COOLANT PUMP TO BATTERY BOX HOSES.....	0713 00
REPLACE ENGINE TO BATTERY BOX HOSE.....	0714 00
REPLACE COOLANT HEATER TO ENGINE ELBOW HOSE.....	0715 00
REPLACE COOLANT HEATER FILTER VALVE HOSE.....	0716 00
REPLACE ENGINE BLOCK FITTING AND HARDWARE.....	0717 00
REPLACE BATTERY BOX INSULATION AND HEAT EXCHANGER.....	0718 00
REPLACE BATTERY DRAWER INSULATION AND HEAT EXCHANGER (M1064A3 ONLY).....	0719 00
REPLACE COOLANT HEATER FUEL SHUTOFF VALVE.....	0720 00
REPLACE FUEL PUMP TEE TO ELBOW HOSE.....	0721 00
REPLACE BATTERY PLATE TO BATTERY PLATE HOSE.....	0722 00
REPLACE COOLANT HEATER FUEL PUMP.....	0723 00
REPLACE COOLANT HEATER EXHAUST ELBOW AND PIPES.....	0724 00
REPLACE HEATER TO SURGE TANK HOSE.....	0725 00
REPLACE FUEL FILTER.....	0726 00
ADJUST FLAME DETECTOR SWITCH.....	0727 00
REPLACE COOLANT HEATER AND PUMP UNIT.....	0728 00
REPLACE COOLANT HEATER.....	0729 00
REPLACE IGNITER.....	0730 00
REPLACE COOLANT HEATER PUMP.....	0731 00
REPLACE COOLANT HEATER AND COOLANT PUMP BRACKET.....	0732 00
REPLACE COOLANT PUMP TO HEATER WIRING HARNESS.....	0733 00
REPLACE FLAME DETECTOR SWITCH.....	0734 00
REPLACE COOLANT HEATER WIRING HARNESS.....	0735 00
REPLACE COOLANT HEATER CONTROL BOX.....	0736 00
REPAIR COOLANT HEATER CONTROL BOX.....	0737 00
REPLACE NON-SKID PLATES (M1064A3 ONLY).....	0738 00
REPLACE DRIVER'S WINDSHIELD.....	0739 00
REPLACE DRIVER'S WINDSHIELD STOWAGE BAG, STRAPS, AND DECAL.....	0740 00
INITIAL INSTALLATION OF LITTER KIT (M113A3 ONLY).....	0741 00
REPLACE POST ASSEMBLY (M113A3 ONLY).....	0742 00
REPAIR POST ASSEMBLY (M113A3 ONLY).....	0743 00
REPLACE CHAIN ASSEMBLY (M113A3 ONLY).....	0744 00
REPAIR CHAIN ASSEMBLY (M113A3 ONLY).....	0745 00

CHAPTER 22

UNIT MAINTENANCE INSTRUCTIONS
FOR SPECIAL PURPOSE KITS**WORK PACKAGE INDEX (Continued)**

<u>Title</u>	<u>Sequence No.</u>
REPLACE ARTILLERY COMMUNICATION INSIDE CABLE (M577A3 ONLY).....	0746 00
REPLACE COMMANDER'S CUPOLA ARMOR SHIELDS (M113A3 AND M1064A3 ONLY).....	0747 00
INSTALL ARMOR KIT (M113A3 ONLY).....	0748 00
REPLACE FRONT ARMOR (M113A3 ONLY).....	0749 00
REPLACE SIDE ARMOR/STOWAGE BOX (M113A3 ONLY).....	0750 00
REPLACE REAR ARMOR (M113A3 ONLY).....	0751 00
INSTALL/REMOVE MINE ARMOR KIT (M113A3 ONLY).....	0752 00
REPLACE FOG OIL TANK MODULE (M1059A3 ONLY).....	0753 00
REPLACE SMOKE GENERATOR BREATHER HOSE ASSEMBLY (M1059A3 ONLY).....	0754 00
REPLACE SMOKE GENERATOR ASSEMBLY AND SUPPORT BRACKET (M1059A3 ONLY).....	0755 00
REPLACE SMOKE GENERATOR CONTROL PANEL ASSEMBLY (M1059A3 ONLY).....	0756 00
REPLACE SMOKE GENERATOR SYSTEM POWER SUPPLY CABLE ASSEMBLY (M1059A3 ONLY).....	0757 00
REPLACE AIR COMPRESSOR ELECTRICAL CABLE ASSEMBLY (M1059A3 ONLY).....	0758 00
REPLACE FOG OIL PUMP ELECTRICAL CABLE ASSEMBLY.....	0759 00
REPLACE SMOKE GENERATOR INTERNAL CABLE ASSEMBLY (M1059A3 ONLY).....	0760 00
REPLACE ADAPTER ACCESS PLATE TO GENERATOR ELECTRICAL CABLE ASSEMBLY (M1059A3 ONLY).....	0761 00
REPLACE AIR COMPRESSOR ASSEMBLY (M1059A3 ONLY).....	0762 00
REPLACE FOG OIL PUMP ASSEMBLY (M1059A3 ONLY).....	0763 00
REPLACE SMOKE GENERATOR FUEL CAN LID ASSEMBLY (M1059A3 ONLY).....	0764 00
REPLACE SMOKE GENERATOR FUEL LINES AND GUARDS (M1059A3 ONLY).....	0765 00
REPLACE SMOKE GENERATOR ADAPTER ACCESS PLATE AND GASKET (M1059A3 ONLY).....	0766 00
REPLACE SMOKE GENERATOR COMPRESSOR RESERVOIR TO ADAPTER ACCESS PLATE AIR HOSE (M1059A3 ONLY).....	0767 00
REPLACE SMOKE GENERATOR ADAPTER ACCESS PLATE TO COVER ASSEMBLY AIR HOSE (M1059A3 ONLY).....	0768 00
REPLACE FOG OIL TANK QUICK DISCONNECT TO ADAPTER ACCESS PLATE HOSE (M1059A3 ONLY).....	0769 00
REPLACE COVER ASSEMBLY FOG OIL QUICK DISCONNECT TO ADAPTER ACCESS PLATE HOSE (M1059A3 ONLY).....	0770 00
REPLACE SMOKE GENERATOR ARMOR (M1059A3 ONLY).....	0771 00
REPLACE SMOKE GENERATOR GLOW PLUG CABLE ASSEMBLIES (M1059A3 ONLY).....	0772 00
REPLACE/REPAIR SMOKE GENERATOR FUEL FILTER/WATER SEPARATOR (M1059A3 ONLY).....	0773 00
REPLACE M14 AIR PURIFIER AND FRAME (M113A3 ONLY).....	0774 00
REPLACE NBC AIR PURIFIER AND FRAME (M113A3 ONLY).....	0775 00
REPLACE M8A3/M13 AIR PURIFIER AND FRAME (M577A3 ONLY).....	0776 00

CHAPTER 22

UNIT MAINTENANCE INSTRUCTIONS
FOR SPECIAL PURPOSE KITS

WORK PACKAGE INDEX (Continued)

<u>Title</u>	<u>Sequence No.</u>
REPLACE M8A3 NBC AIR PURIFIER AND FRAME (M1059A3 ONLY).....	0777 00
REPLACE M8A3 AIR PURIFIER AND FRAME (M1059A3 ONLY).....	0778 00
REPLACE M13 AIR PURIFIER AND FRAME (M1068A3 ONLY).....	0779 00
REPLACE M8A3/M14 ORIFICE CONNECTOR ASSEMBLY, SUPPORT, AND QUICK COUPLING HALF (M113A3, M1059A3, AND M577A3 ONLY).....	0780 00
REPLACE M13 ORIFICE CONNECTOR ASSEMBLY, BRACKET, AND QUICK COUPLING HALF (M1068A3 ONLY).....	0781 00
REPLACE M3 NBC HEATER HOSES AND FITTINGS (M113A3 ONLY).....	0782 00
REPLACE M14 NBC HOSES AND BRACKETS (M113A3 AMBULANCE ONLY).....	0783 00
REPLACE M3 NBC HEATER HOSES AND FITTINGS (M113A3 AMBULANCE ONLY).....	0784 00
REPLACE M8A3 NBC HOSES AND BRACKETS (M577A3 ONLY).....	0785 00
REPLACE M13 NBC FILTERS AND HOSES (M577A3 ONLY).....	0786 00
REPLACE M8A3 NBC HOSES AND BRACKETS (M1059A3 ONLY).....	0787 00
REPLACE M3 NBC HOSES AND FITTINGS (M1059A3 ONLY).....	0788 00
REPLACE M13 NBC FILTERS AND HOSES (M1068A3 ONLY).....	0789 00
REPLACE M13 NBC HEATER HOSES (M1068A3 ONLY).....	0790 00
REPLACE M3 NBC HEATER CONTROL BOX, REGULATOR, AND BRACKET (M113A3 ONLY).....	0791 00
REPLACE M3 NBC HEATER CONTROL BOX (M577A3 ONLY).....	0792 00
REPLACE M3 NBC HEATER CONTROL BOX (M1068A3 ONLY).....	0793 00
REPLACE M3 NBC HEATERS AND CONTROLLERS (M113A3 ONLY).....	0794 00
REPLACE M3 NBC HEATERS AND CONTROLLERS (M113A3 AMBULANCES ONLY).....	0795 00
REPLACE M13 NBC HEATERS AND MOUNTS (M577A3 ONLY).....	0796 00
REPLACE M3 NBC HEATERS AND CONTROLLERS (M1059A3 ONLY).....	0797 00
REPLACE M13 NBC HEATERS (M1068A3 ONLY).....	0798 00
REPLACE M14 NBC CABLES AND SWITCH ASSEMBLY (M1059A3 ONLY).....	0799 00
REPLACE NBC CABLE TO HEATERS, AIR PURIFIER, AND SWITCH ASSEMBLY (M113A3 ONLY).....	0800 00
REPLACE M8A3 NBC CABLES, SWITCH ASSEMBLY, AND BRACKETS (M577A3 ONLY).....	0801 00
REPLACE NBC FILTER SWITCH ASSEMBLY (M113A3 AND M113A3 AMBULANCE ONLY).....	0802 00
REPLACE M13 NBC FILTER SWITCH AND MOUNT BRACKET (M577A3 ONLY).....	0803 00
REPLACE M8A3/M3 NBC FILTER SWITCH ASSEMBLY (M1059A3 ONLY).....	0804 00
REPLACE M13 NBC FILTER SWITCH (M1068A3 ONLY).....	0805 00
REPLACE M3 NBC HEATER WIRING HARNESS (M1059A3 ONLY).....	0806 00
REPLACE M14 NBC HEATER WIRING HARNESS (M113A3 AMBULANCE ONLY).....	0807 00
REPLACE M13 NBC HEATER WIRING HARNESS (M577A3 ONLY).....	0808 00
REPLACE M13 NBC HEATER WIRING HARNESS (M1068A3 ONLY).....	0809 00
REPLACE WATER/RATION HEATER POWER CABLE (M113A3 ONLY).....	0810 00
REPLACE WATER/RATION HEATER MOUNT BRACKET (M113A3 ONLY).....	0811 00

BLEED AIR FROM PERSONNEL HEATER FUEL LINES

0679 00

THIS WORK PACKAGE COVERS:

Servicing (page 0679 00-1).

INITIAL SETUP:

Maintenance Level

Unit

References

See your -10

Tools and Special Tools

General Mechanic's Tool Kit (WP 0926 00, Item 65)

Equipment Condition

Engine stopped (see your -10)

Carrier blocked (see your -10)

Ramp lowered (see your -10)

Rear floor plate removed (WP 0539 00), (WP 0540 00),

(WP 0541 00), (WP 0542 00), (WP 0543 00),

(WP 0544 00), or(WP 0545 00)

Materials/Parts

Wiping rag (WP 0928 00, Item 65)

Personnel Required

Unit Mechanic

SERVICING

BLEED AIR FROM SYSTEM

1. Turn on main fuel valves (see your -10).
2. Turn on heater fuel shut-off valve (see your -10).

WARNING

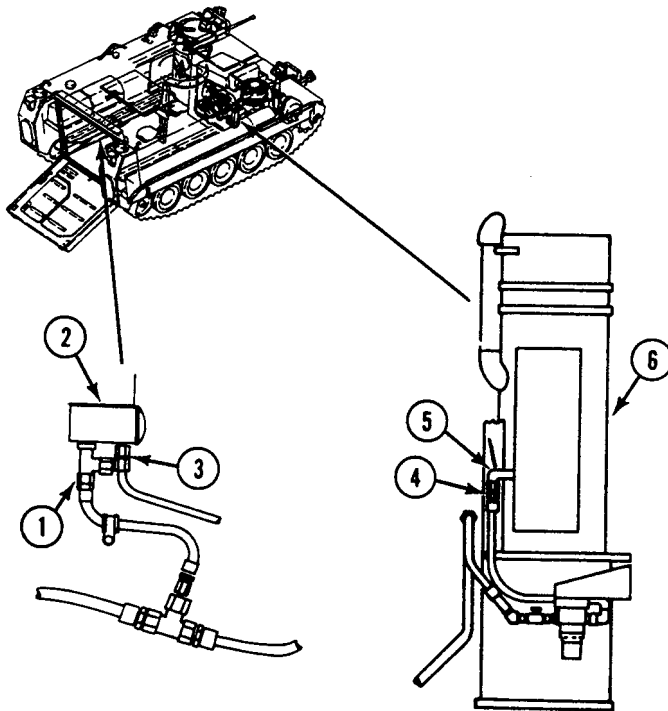


Diesel fuel can catch fire and seriously injure or kill soldiers and damage or destroy the vehicle. Wipe up fuel spills immediately. Do not smoke near fuel or when working on the fuel system. Disconnect vehicle ground when working on the fuel system.

3. Loosen fuel inlet line (1) at tee fitting on fuel pump (2). Tighten connection as soon as fuel begins to escape from line.

BLEED AIR FROM PERSONNEL HEATER FUEL LINES — Continued**0679 00**

4. Loosen fuel outlet line (3) at fuel pump (2). Tighten connection as soon as fuel begins to escape from line.
5. Wipe up spilled fuel. Turn heater on (see your -10).
6. Loosen fuel line (4) at inlet elbow (5) of heater (6). Tighten connection as soon as fuel begins to escape from line.
7. Wipe up spilled fuel. Check heater (6) for proper operation and fuel leaks.
8. Turn heater off (see your -10).

**FOLLOW-THROUGH STEPS**

1. Install rear floor plate (WP 0539 00), (WP 0540 00), (WP 0541 00), (WP 0542 00), (WP 0543 00), (WP 0544 00), or (WP 0545 00).
2. Start engine (see your -10).
3. Raise and lock ramp (see your -10).
4. Stop engine (see your -10).

END OF TASK

SERVICE PERSONNEL HEATER FUEL FILTER

0680 00

THIS WORK PACKAGE COVERS:

- Removal (page 0680 00-2).
- Servicing (page 0680 00-2).
- Installation (page 0680 00-3).

INITIAL SETUP:

Maintenance Level

Unit

Personnel Required

Unit Mechanic

Tools and Special Tools

General Mechanic's Tool Kit (WP 0926 00, Item 65)

References

See your -10

Materials/Parts

- Cleaning compound (WP 0928 00, Item 26)
- Wiping rag (WP 0928 00, Item 65)
- Preformed packing
- Lockwasher (4)

Equipment Condition

- Engine stopped (see your -10)
 - Carrier blocked (see your -10)
 - Personnel heater fuel shutoff valve OFF (see your -10)
 - Spall liners opened (M113A3 only) (see your -10)
-

REMOVAL

NOTE

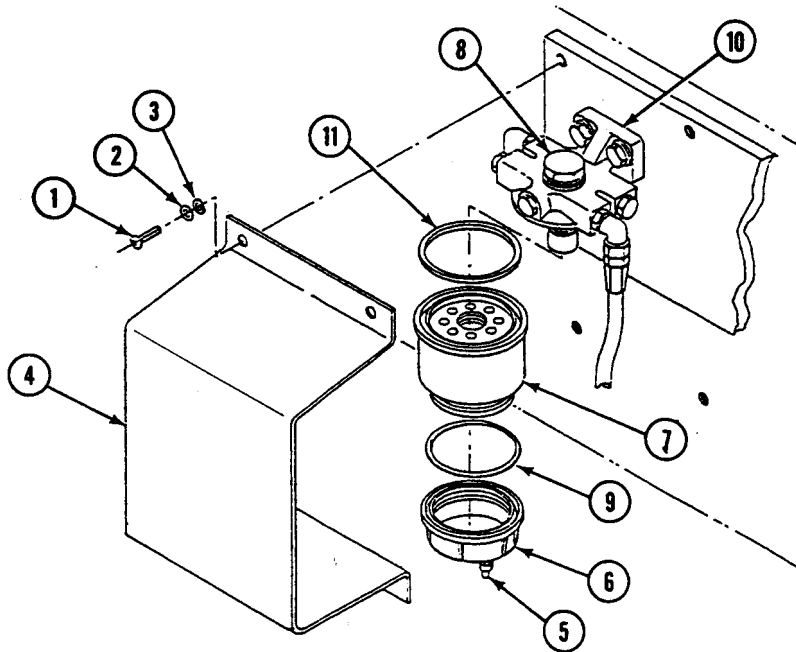
Shield installed on M577A3, M901A3, and M1068A3 carriers only.

1. Remove four screws (1), lockwashers (2), washers (3), and shield (4) from sponson. Discard lockwashers.
2. Depress plunger (5) until fluid is drained from collector bowl (6). Wipe up spilled fuel.
3. Remove collector bowl (6) from filter element (7).

NOTE

Loosen head bolt as instructed. Do not remove head bolt from filter head. Do not discard head gasket.

4. Loosen head bolt (8) until filter element (7) with preformed packing (9) can be removed from filter head (10). Do not remove and do not discard head gasket (11). Discard preformed packing and filter element.



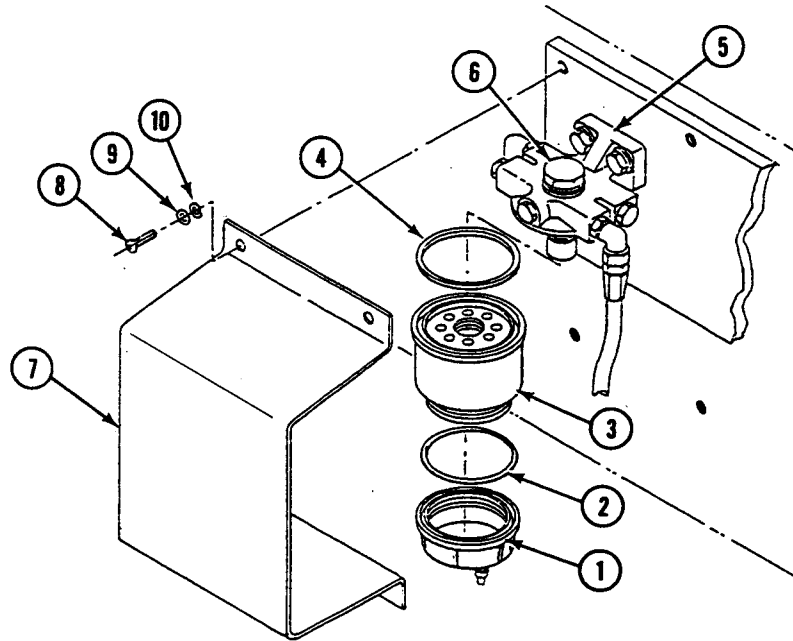
CLEANING

CLEANING, INSPECTION, AND REPAIR

1. Clean collector bowl (1) with cleaning compound and clean wiping rag.

INSTALLATION

1. Install new preformed packing (2) on new filter element (3).
2. Install collector bowl (1) in new filter element (3).
3. If head gasket (4) was removed, position same gasket in filter head (5) or on filter element (3).
4. Install new filter element (3) and gasket (4) on head bolt (6) and filter head (5).
5. Install shield (7), four screws (8), new lockwashers (9), and washers (10) on sponson over fuel filter/water separator assembly.

**FOLLOW-THROUGH STEPS**

1. Turn personnel heater fuel valve ON (see your -10).
2. Turn personnel heater ON (see your -10). Check for leaks.
3. Turn personnel heater OFF (see your -10).
4. Secure spall liners (M113A3 only) (see your -10).

END OF TASK

SERVICE PERSONNEL HEATER FUEL PUMP

0681 00

THIS WORK PACKAGE COVERS:

- Disassembly (page 0681 00-2).
- Cleaning (page 0681 00-2).
- Assembly (page 0681 00-2).

INITIAL SETUP:

Maintenance Level

Unit

Personnel Required

Unit Mechanic

Tools and Special Tools

General Mechanic's Tool Kit (WP 0926 00, Item 65)

References

See your -10

Materials/Parts

Cleaning compound solvent (WP 0928 00, Item 19)
Gasket

Equipment Condition

Personnel heater fuel pump removed (WP 0695 00),
(WP 0696 00), or (WP 0697 00)

DISASSEMBLY**NOTE**

There are two types of fuel pump. For BENDIX/FACET type, do Assembly Step 1, Cleaning Step 1, and Disassembly Step 2. For WALBRO type, do Assembly Step 2, Cleaning Step 1, and Disassembly Step 1.

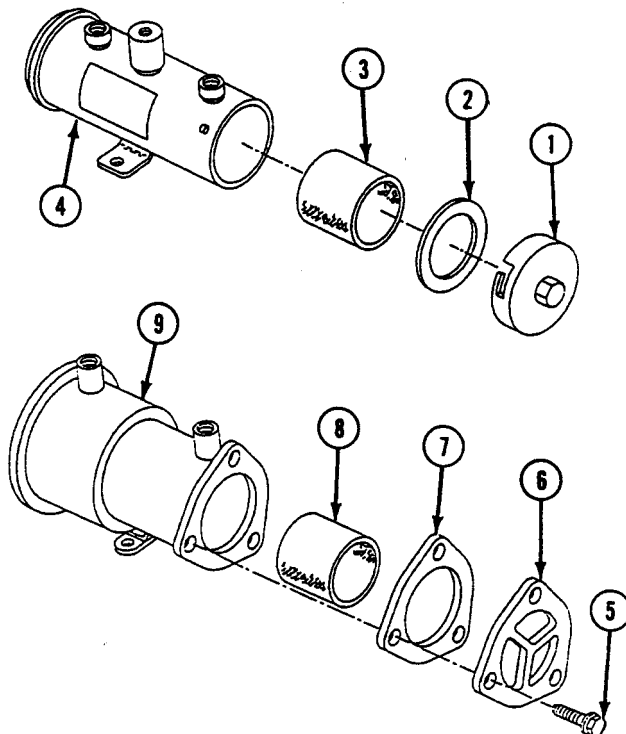
1. Remove cover (1) , gasket (2) , and strainer element (3) from fuel pump housing (4) . Discard gasket.
2. Remove three screws (5) , cover (6) , gasket (7) , and filter element (8) from fuel pump housing (9) . Discard gasket.

CLEANING

1. Clean element with cleaning compound.

ASSEMBLY

1. Install clean filter element (8) , new gasket (7) , and cover (6) on pump housing (9) . Secure with three screws (5) .
2. Install clean strainer element (3) , new gasket (2) , and cover (1) on pump housing (4) .

**FOLLOW-THROUGH STEPS**

1. Install personnel heater fuel pump (WP 0695 00), (WP 0696 00), or (WP 0697 00).

END OF TASK

REPLACE HEATER AIR INTAKE AND EXHAUST PIPES (ALL EXCEPT M1064A3)

0682 00

THIS WORK PACKAGE COVERS:

Removal (page 0682 00-1).
 Installation (page 0682 00-3).

INITIAL SETUP:

Maintenance Level

Unit

References

See your -10

Tools and Special Tools

General Mechanic's Tool Kit (WP 0926 00, Item 65)

Equipment Condition

Engine stopped (see your -10)
 Carrier blocked (see your -10)
 Spall liners opened (M113A3 only) (see your -10)
 Battery ground strap disconnected (WP 0337 00),
 (WP 0338 00), or (WP 0339 00)
 Power plant rear access panel removed (WP 0439 00)
 Heater assembly removed (WP 0703 00)

Materials/Parts

Gasket (2)
 Gasket (2)
 Grommet
 Locknut (4)

Personnel Required

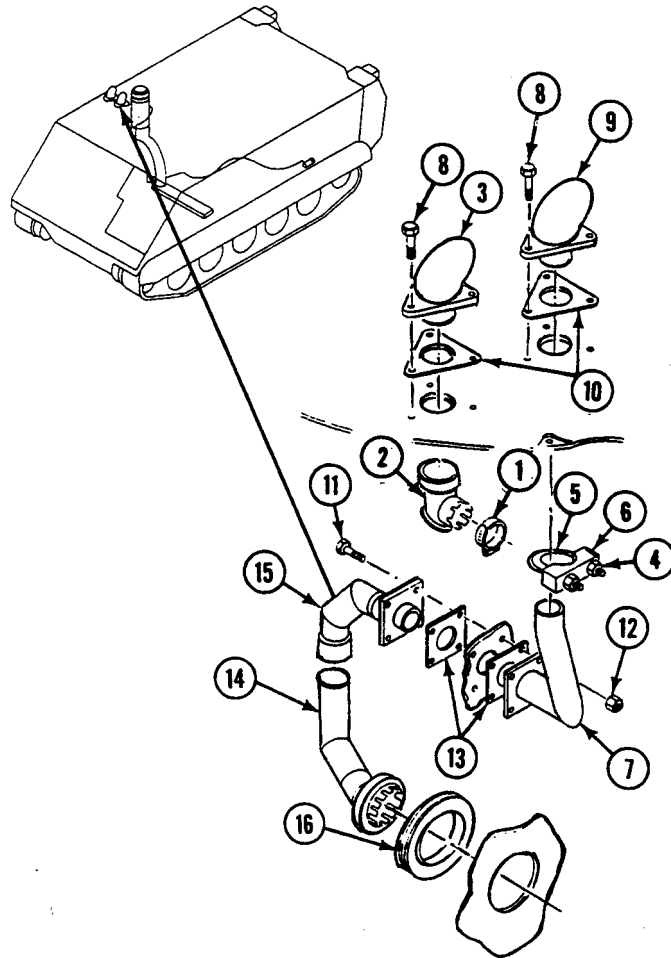
Unit Mechanic

REMOVAL

1. Remove clamp (1) and remove elbow (2) from intake elbow (3).
2. Remove two nuts (4), U-bolt (5), and clamp (6) from exhaust pipe (7).

**REPLACE HEATER AIR INTAKE AND EXHAUST PIPES (ALL EXCEPT M1064A3) —
Continued****0682 00**

3. Remove six screws (8), intake elbow (3), exhaust elbow (9), and two elbow gaskets (10) from carrier top deck. Discard gaskets.
4. Remove four screws (11), locknuts (12), two bulkhead gaskets (13), and exhaust pipes (14)(15)(7) from power plant bulkhead. Discard gaskets and locknuts.
5. If necessary, remove grommet (16) from power plant bulkhead. Discard grommet.

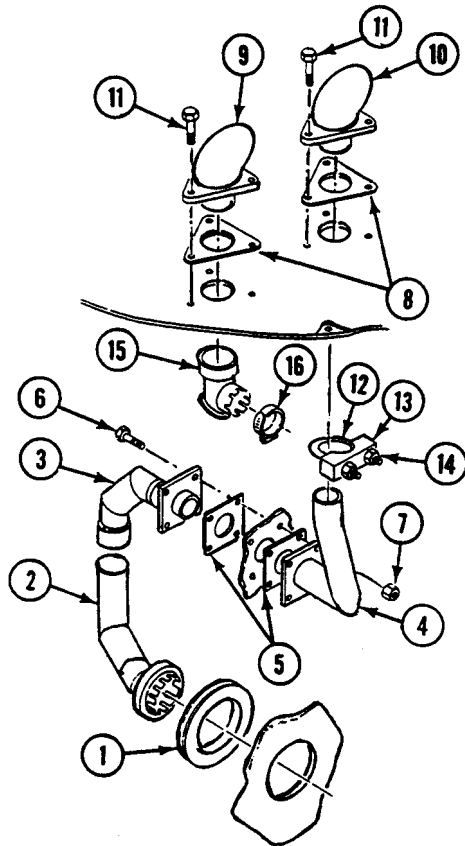


REPLACE HEATER AIR INTAKE AND EXHAUST PIPES (ALL EXCEPT M1064A3) —
Continued

0682 00

INSTALLATION

1. If grommet (1) was discarded, install new grommet in power plant bulkhead.
2. Install exhaust pipe (2) in grommet (1). Install exhaust pipe (3) on pipe (2).
3. Align two exhaust pipes (3)(4) and two new bulkhead gaskets (5) with power plant bulkhead. Secure with four screws (6) and new locknuts (7).
4. Place new elbow gasket (8) on exhaust elbow (9). Install elbow in top deck.
5. Place new elbow gasket (8) on intake elbow (10). Install elbow in top deck.
6. Secure two elbows (9)(10) to top deck with six screws (11).
7. Secure pipe (4) to exhaust elbow (9) with U-bolt (12), clamp (13), and two nuts (14).
8. Connect elbow (15) to intake elbow (10) and place clamp (16) on intake elbow (10).



REPLACE HEATER AIR INTAKE AND EXHAUST PIPES (ALL EXCEPT M1064A3) —
Continued

0682 00

FOLLOW-THROUGH STEPS

1. Install heater assembly (WP 0703 00).
2. Connect battery ground strap (WP 0337 00), (WP 0338 00), or (WP 0339 00).
3. Close spill liners (M113A3 only) (see your -10).
4. Start heater. Check for intake and exhaust leaks. Turn heater off (see your -10).
5. Install power plant rear access panel (WP 0439 00).

END OF TASK

REPLACE HEATER AIR INTAKE AND EXHAUST PIPES(M1064A3 ONLY)

0683 00

THIS WORK PACKAGE COVERS:

Removal (page 0683 00-1).
 Installation (page 0683 00-3).

INITIAL SETUP:

Maintenance Level

Unit

References

See your -10

Tools and Special Tools

General Mechanic's Tool Kit (WP 0926 00, Item 65)

Equipment Condition

Engine stopped (see your -10)

Carrier blocked (see your -10)

Ramp lowered (see your -10)

Materials/Parts

Gasket (2)

Battery ground strap disconnected (WP 0337 00)

Heater assembly removed (WP 0704 00)

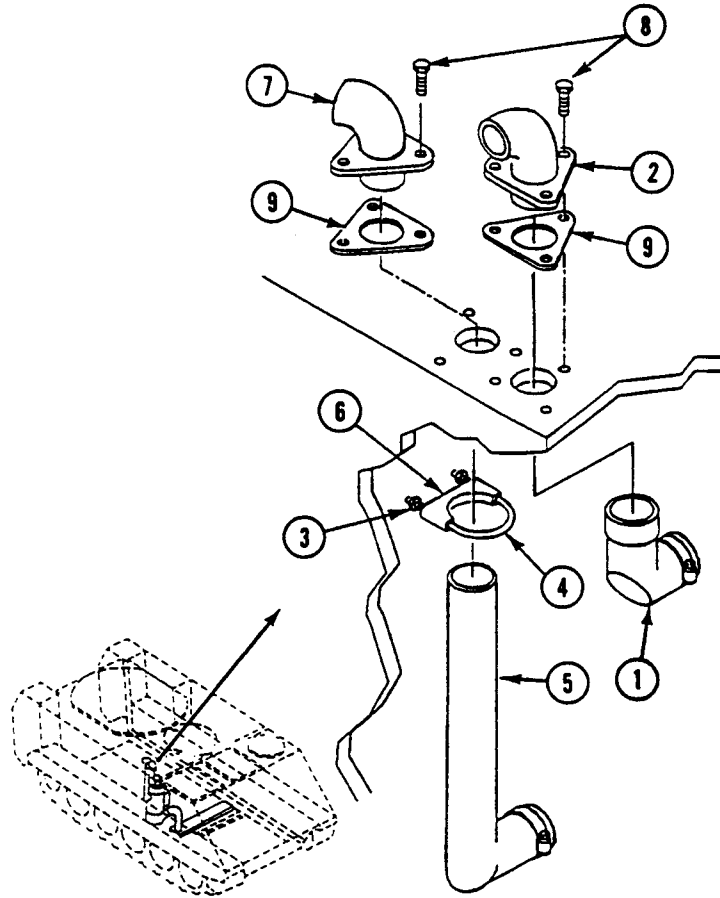
Personnel Required

Unit Mechanic

REMOVAL

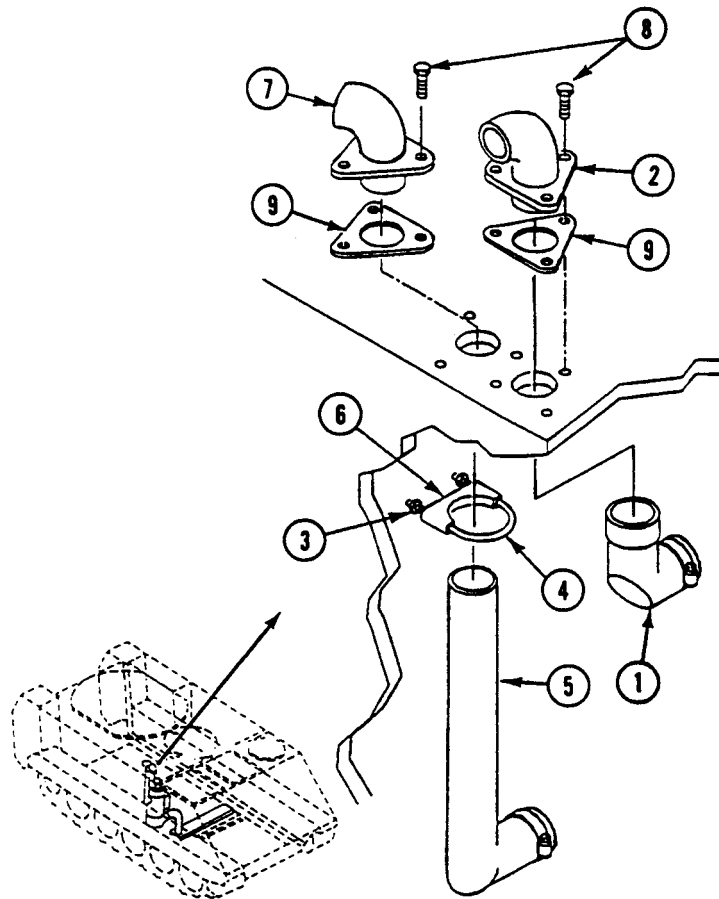
1. Remove air intake pipe (1) from intake elbow (2).
2. Loosen two nuts (3) on U-bolt (4), and remove exhaust pipe (5) and clamp (6) from exhaust elbow (7).

3. Remove six screws (8), intake elbow (2), exhaust elbow (7), and two gaskets (9) from carrier top deck. Discard gaskets.



INSTALLATION

1. Install exhaust elbow (7), intake elbow (2), and two new gaskets (9) on carrier top deck. Secure with six screws (8).
2. Install exhaust pipe (5) on exhaust elbow (7). Secure with U-bolt (4), clamp (6), and two nuts (3).
3. Install intake pipe (1) on intake elbow (2).

**FOLLOW-THROUGH STEPS**

1. Install heater assembly (WP 0704 00).
2. Connect battery ground strap (WP 0337 00).
3. Start heater. Check for intake and exhaust leaks. Turn heater off (see your -10).
4. Start engine (see your -10).
5. Raise and lock ramp (see your -10).
6. Stop engine (see your -10).

END OF TASK

REPLACE FUEL SHUT-OFF VALVE ASSEMBLY (M113A3, M981A3, M1059A3, AND M58 ONLY)

0684 00

THIS WORK PACKAGE COVERS:

Removal (page 0684 00-1).
 Installation (page 0684 00-3).

INITIAL SETUP:

Maintenance Level

Unit

References

See your -10

Tools and Special Tools

General Mechanic's Tool Kit (WP 0926 00, Item 65)

Equipment Condition

Materials/Parts

Sealing compound (WP 0928 00, Item 56)
 Preformed packing

Engine stopped (see your -10)

Carrier blocked (see your -10)

Main fuel shut-off valves turned off (see your -10)

Personnel Required

Unit Mechanic

Right side spall liners open (M113A3 only)

(see your -10)

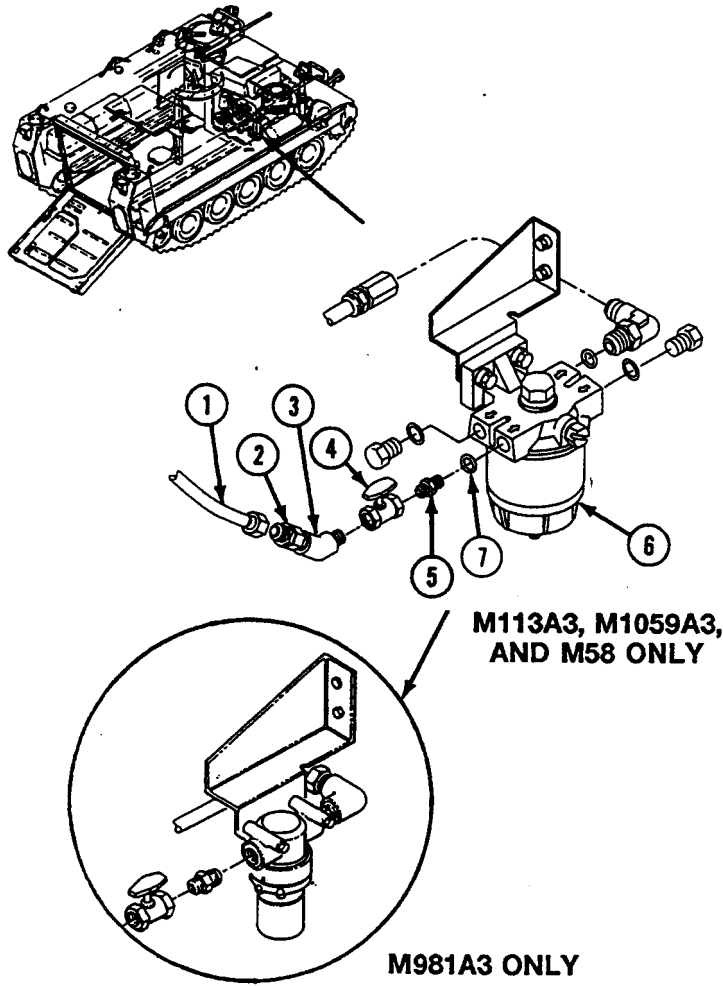
REMOVAL

1. Remove fuel filter supply hose (1) from adapter (2) on elbow.
2. Remove adapter (2) from inlet elbow (3).

REPLACE FUEL SHUT-OFF VALVE ASSEMBLY (M113A3, M981A3, M1059A3, AND M58 ONLY) — Continued

0684 00

3. Remove inlet elbow (3) from shut-off valve (4).
4. Remove shut-off valve (4), adapter (5), and preformed packing (7) from heater fuel filter (6).

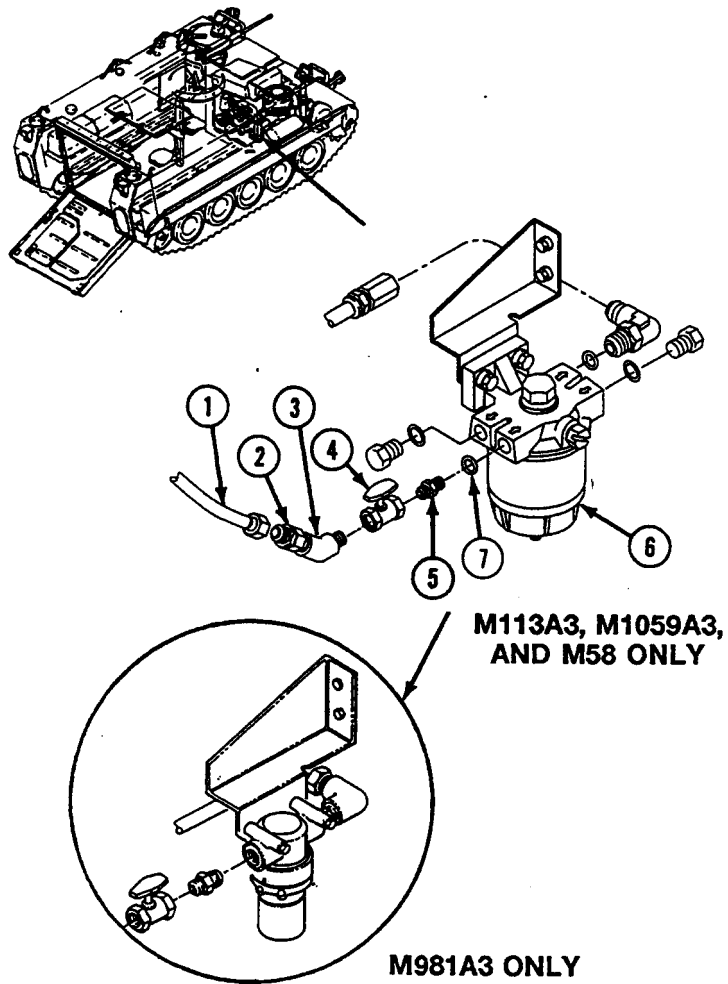


REPLACE FUEL SHUT-OFF VALVE ASSEMBLY (M113A3, M981A3, M1059A3, AND M58 ONLY) — Continued

0684 00

INSTALLATION

1. Apply thin layer of sealing compound to external tapered threads.
2. Install preformed packing (7), adapter (5), and shut-off valve (4) on heater fuel filter (6).
3. Install inlet elbow (3) on shut-off valve (4).
4. Install adapter (2) on elbow (3).
5. Install fuel filter supply hose (1) on adapter (2).



REPLACE FUEL SHUT-OFF VALVE ASSEMBLY (M113A3, M981A3, M1059A3, AND M58 ONLY) — Continued

0684 00

FOLLOW-THROUGH STEPS

1. Turn main fuel shut-off valves ON (see your -10).
2. Turn heater ON (see your -10). Check for proper operation and leaks.
3. Turn heater OFF (see your -10).

END OF TASK

REPLACE HEATER/FILTER FUEL SUPPLY HOSES (M113A3, M981A3, M1059A3, AND M58 ONLY)

0685 00

THIS WORK PACKAGE COVERS:

Removal (page 0685 00-1).
 Installation (page 0685 00-3).

INITIAL SETUP:

Maintenance Level

Unit

References

See your -10

Tools and Special Tools

General Mechanic's Tool Kit (WP 0926 00, Item 65)

Equipment Condition

Engine stopped (see your -10)
 Carrier blocked (see your -10)
 Main fuel shut-off valves turned off (see your -10)
 Right side spall liners open (M113A3 only)
 (see your -10)

Personnel Required

Unit Mechanic

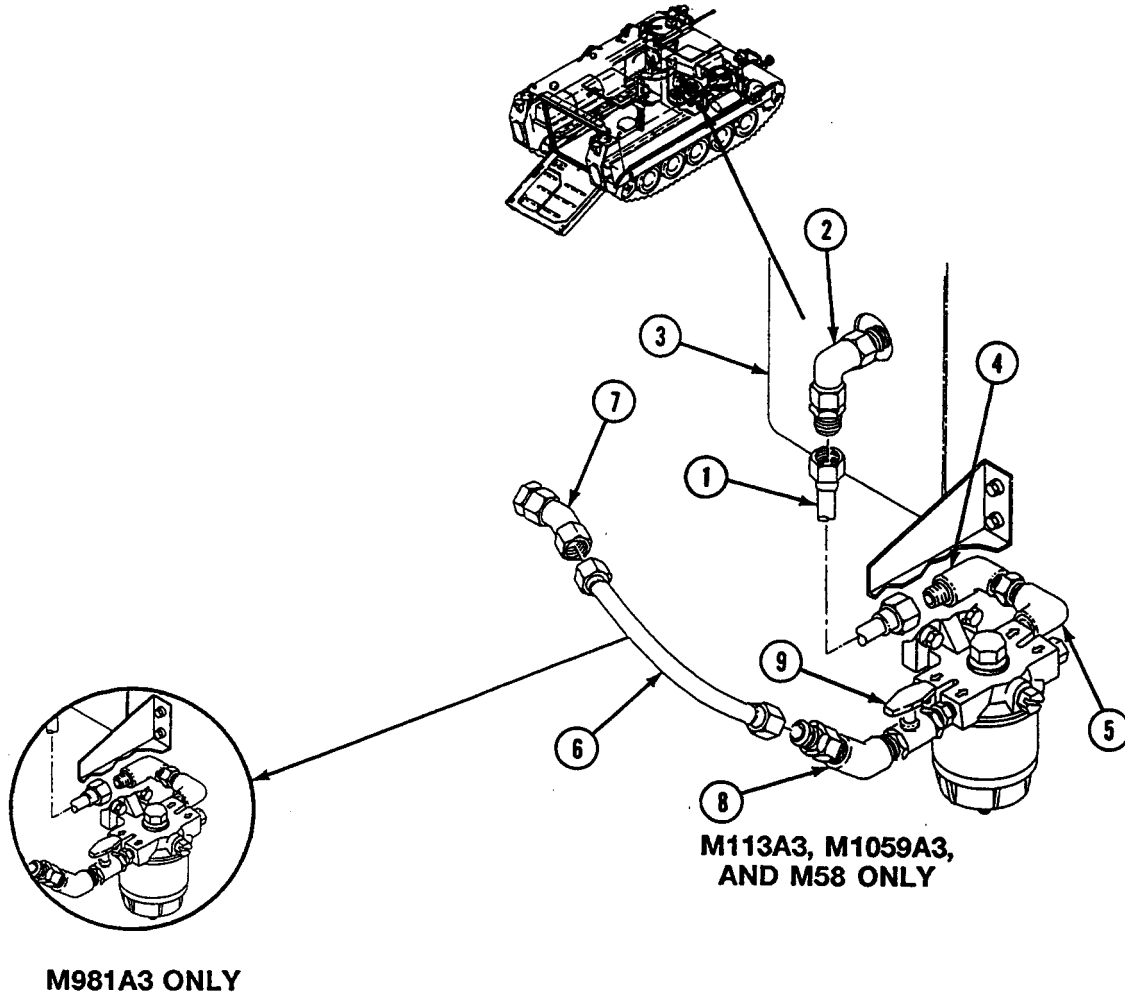
REMOVAL

1. Remove heater fuel supply hose (1) from fuel inlet elbow (2) on heater (3) and from elbow (4) on fuel filter outlet elbow (5).

REPLACE HEATER/FILTER FUEL SUPPLY HOSES (M113A3, M981A3, M1059A3, AND M58 ONLY) — Continued

0685 00

2. Remove heater fuel filter supply hose (6) from fuel supply tube elbow (7) on power plant compartment bulkhead and fuel shut-off valve inlet elbow (8) on valve (9).

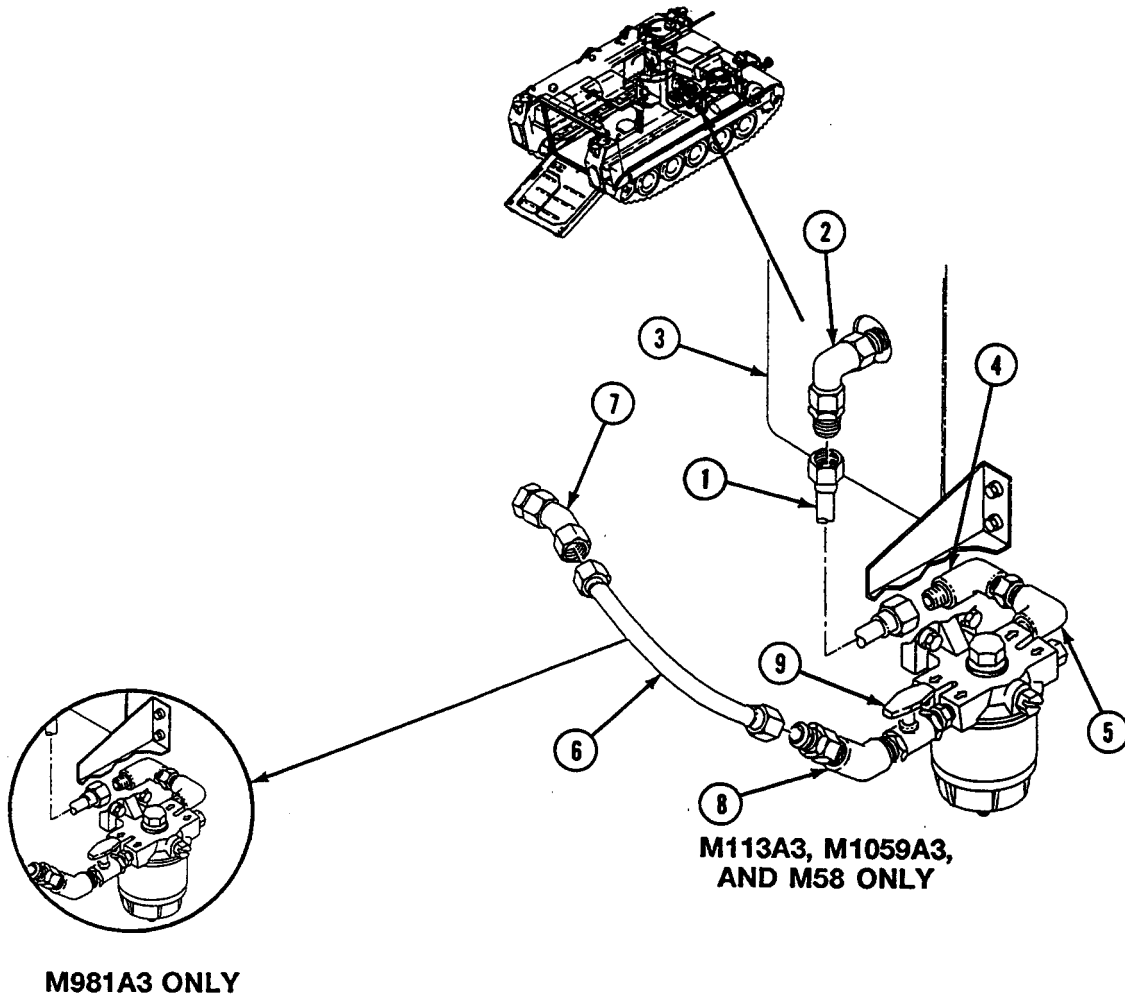


REPLACE HEATER/FILTER FUEL SUPPLY HOSES (M113A3, M981A3, M1059A3, AND M58 ONLY) — Continued

0685 00

INSTALLATION

1. Connect heater fuel filter supply hose (6) to fuel supply tube elbow (7) and fuel shut-off valve inlet elbow (8). Tighten loose nuts.
2. Connect heater fuel supply hose (1) to fuel inlet elbow (2) and to elbow (4) on fuel filter outlet elbow (5). Tighten loose nuts.

**FOLLOW-THROUGH STEPS**

1. Turn main fuel shut-off valves ON (see your -10).
2. Turn heater ON (see your -10). Check for proper operation and leaks.
3. Turn heater OFF (see your -10).

END OF TASK

REPLACE PERSONNEL HEATER FUEL TUBE (ALL EXCEPT M1064A3)

0686 00

THIS WORK PACKAGE COVERS:

Removal (page 0686 00-1).
 Installation (page 0686 00-2).

INITIAL SETUP:

Maintenance Level

Unit

References

See your -10

Tools and Special Tools

General Mechanic's Tool Kit (WP 0926 00, Item 65)

Equipment Condition

Engine stopped (see your -10)
 Carrier blocked (see your -10)
 Ramp lowered (see your -10)
 Main fuel tank shutoff valves closed (see your -10)
 Power plant rear access panels removed (WP 0439 00)

Materials/Parts

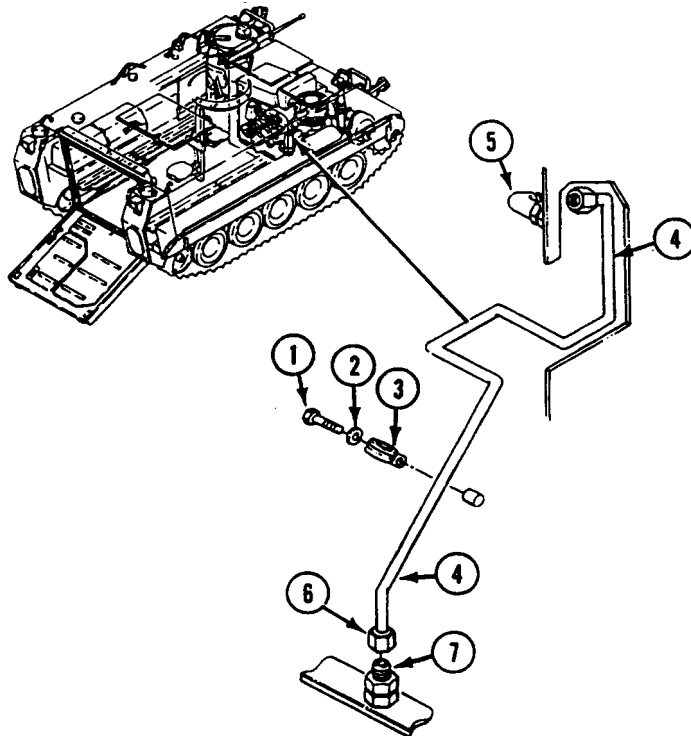
Lockwasher

Personnel Required

Unit Mechanic

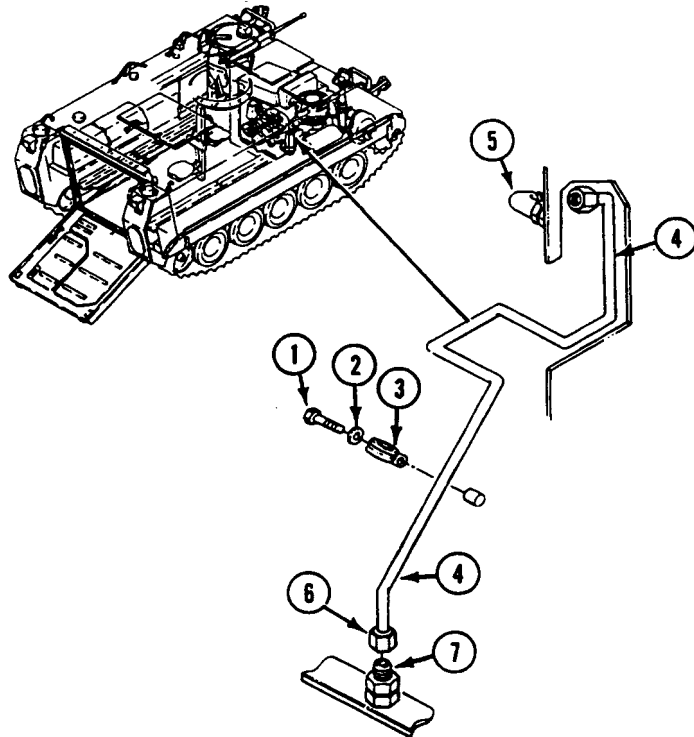
REMOVAL

1. Remove screw (1) and lockwasher (2) from clamp (3). Discard lockwasher.
2. Disconnect heater fuel tube (4) from fuel filter inlet hose elbow (5).
3. Remove nut (6) from nipple (7). Remove tube from carrier.



INSTALLATION

1. Install fuel tube clamp (3) on replacement tube (4).
2. Connect tube (4) to heater fuel filter inlet hose elbow (5) and nipple (7). Tighten nut (6).
3. Secure tube (4) to power plant compartment bulkhead with clamp (3), screw (1), and new lockwasher (2).

**FOLLOW-THROUGH STEPS**

1. Open main fuel tank shutoff valves (see your -10).
2. Turn heater ON (see your -10). Check for proper operation and leaks.
3. Turn heater OFF (see your -10).
4. Install power plant rear access panels (WP 0439 00).
5. Start engine (see your -10).
6. Raise and lock ramp (see your -10).
7. Stop engine (see your -10).

END OF TASK

**REPLACE BULKHEAD CONNECTION TO PERSONNEL HEATER TUBE
(M577A3 AND M1068A3 ONLY)**

0687 00

THIS WORK PACKAGE COVERS:

Removal (page 0687 00-1).
Installation (page 0687 00-3).

INITIAL SETUP:

Maintenance Level

Unit

Tools and Special Tools

General Mechanic's Tool Kit (WP 0926 00, Item 65)

Materials/Parts

Sealing compound (WP 0928 00, Item 56)

Wiping rag (WP 0928 00, Item 65)

Personnel Required

Unit Mechanic

References

See your -10

Equipment Condition

Engine stopped (see your -10)

Carrier blocked (see your -10)

Ramp lowered (see your -10)

Battery ground lead disconnected (WP 0338 00)

Heater duct removed (WP 0706 00)

Right front floor plate removed (WP 0539 00) or
(WP 0544 00)

Power plant rear access panel removed (WP 0439 00)

Heater fuel shutoff valve closed (see your -10)

REMOVAL

WARNING



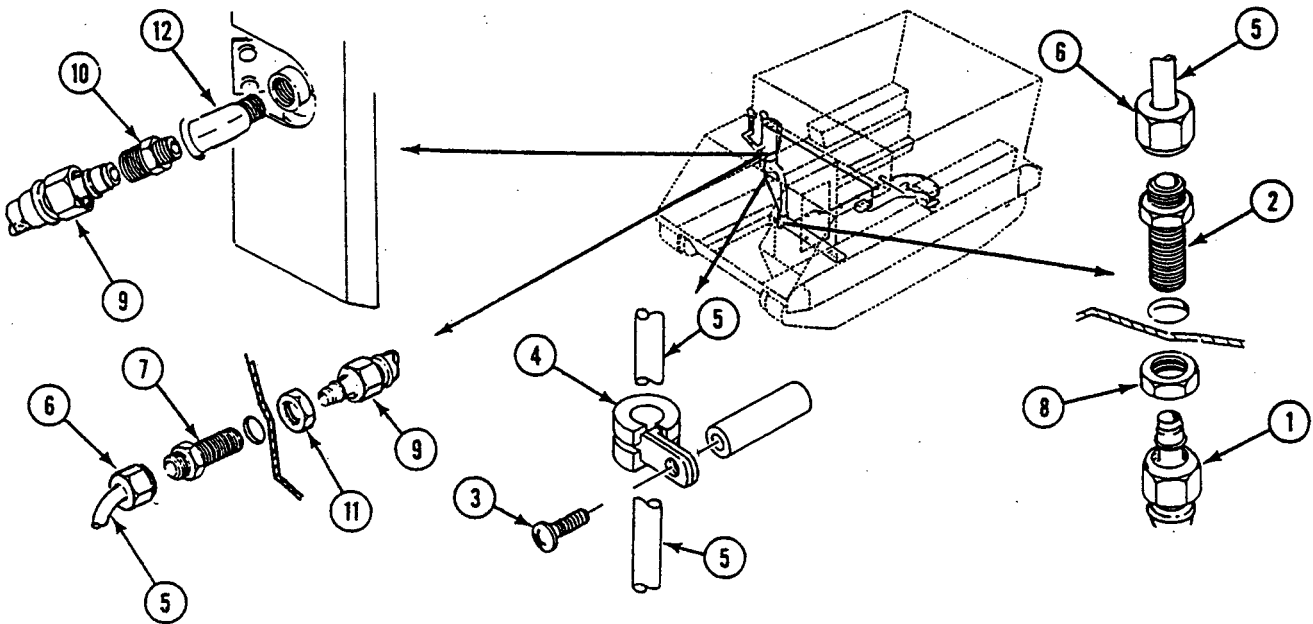
Fuel can catch fire and burn you. Do not smoke. Wipe up spilled fuel.

1. Remove fuel hose (1) from nipple (2).

REPLACE BULKHEAD CONNECTION TO PERSONNEL HEATER TUBE (M577A3 AND M1068A3 ONLY) — Continued

0687 00

2. Remove screw (3) and clamp (4) from bulkhead weldnut. Remove clamp from tube (5).
3. Loosen two nuts (6) on tube (5). Remove tube (5) from nipples (2) and (7).
4. Remove jamnut (8) and nipple (2) from hull.
5. Remove fuel hose (9) from adapter (10) and nipple (7).
6. Remove jamnut (11) and nipple (7) from power plant compartment bulkhead.
7. Remove adapter (10) from elbow (12).
8. Remove elbow (12) from heater.



REPLACE BULKHEAD CONNECTION TO PERSONNEL HEATER TUBE (M577A3 AND M1068A3 ONLY) — Continued

0687 00

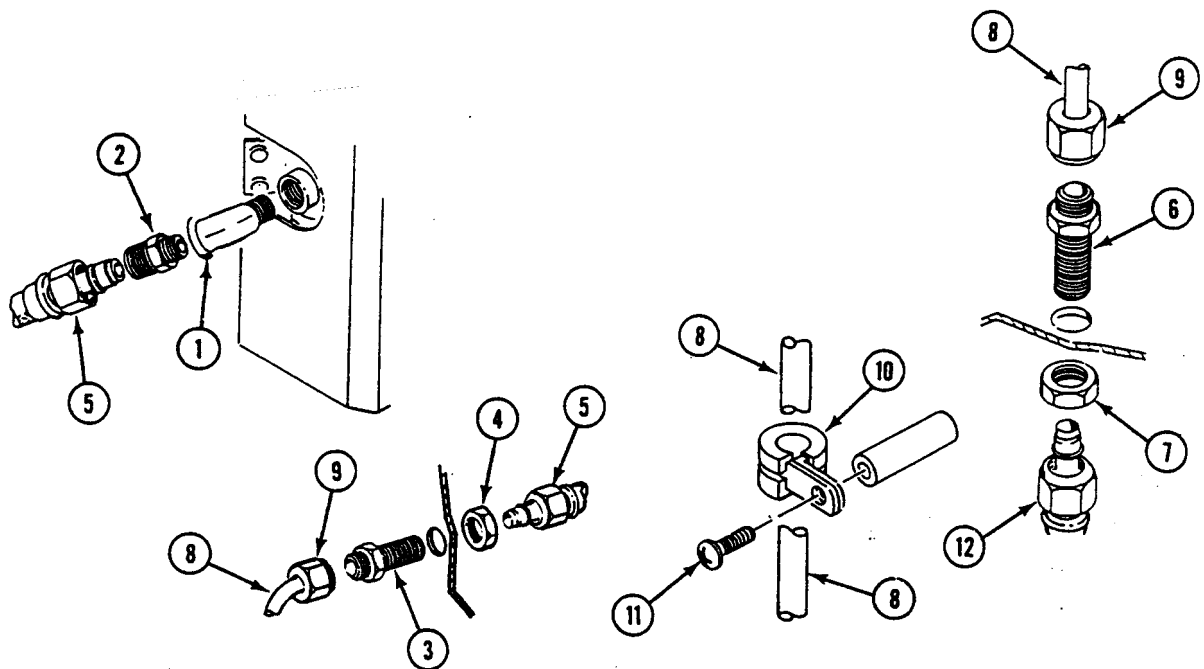
INSTALLATION

1. Apply light coat of sealing compound to all external tapered threads. Do not apply sealant beyond small end of external tapered threads.

NOTE

Flareless (compression) fittings are used on the fuel lines. When these fittings are first installed, a sleeve is crimped on the tube or hose end. Consequently, when tubes or hoses are replaced, new fitting sleeves are also required.

2. Install elbow (1) in heater.
3. Install adapter (2) on elbow (1).
4. Install nipple (3) in power plant compartment bulkhead. Secure with jamnut (4).
5. Install fuel hose (5) on nipple (3) and adapter (2).
6. Install nipple (6) in hull. Secure with jamnut (7).
7. Install tube (8) on nipples (3) and. Tighten two nuts (9).
8. Install clamp (10) on tube (8). Align clamp (10) with bulkhead weldnut. Secure with screw (11).
9. Install fuel hose (12) on nipple (6).



REPLACE BULKHEAD CONNECTION TO PERSONNEL HEATER TUBE (M577A3 AND M1068A3 ONLY) — Continued

0687 00**FOLLOW-THROUGH STEPS**

1. Open heater fuel shutoff valve (see your -10).
2. Connect battery ground lead (WP 0338 00).
3. Bleed fuel line (WP 0679 00).
4. Start heater (see your -10). Check all fittings for leaks. Turn heater off.
5. Install power plant rear access panel (WP 0439 00).
6. Install right front floor plate (WP 0539 00) or (WP 0544 00).
7. Install heater duct (WP 0706 00).
8. Start engine (see your -10).
9. Raise and lock ramp (see your -10).
10. Stop engine (see your -10).

END OF TASK

**REPLACE PERSONNEL HEATER FUEL FILTER, HOSES, AND FITTINGS
(M1064A3 ONLY)**

0688 00

THIS WORK PACKAGE COVERS:

Removal (page 0688 00-1).
Installation (page 0688 00-5).

INITIAL SETUP:

Maintenance Level

Unit

Tools and Special Tools

General Mechanic's Tool Kit (WP 0926 00, Item 65)

Materials/Parts

Sealing compound (WP 0928 00, Item 56)
Wiping rags (WP 0928 00, Item 65)
Lockwasher (2)
Lockwasher (3)
Preformed packing (4)
Tie down strap (3)

Personnel Required

Unit Mechanic

References

See your -10

Equipment Condition

Engine stopped (see your -10)
Carrier blocked (see your -10)
Ramp lowered (see your -10)
Heater duct removed (WP 0706 00)
Right front floor plate removed (WP 0543 00)
Battery ground strap disconnected (WP 0337 00)
Heater fuel shutoff valve closed (see your -10)

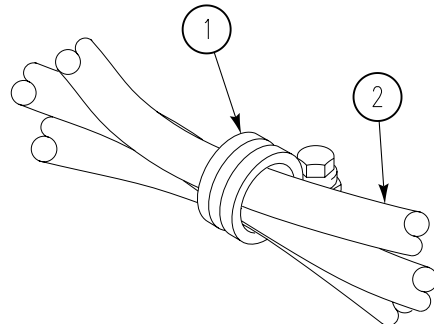
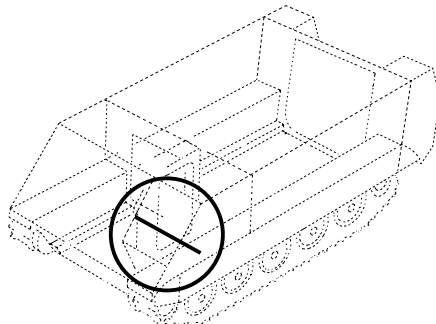
REMOVAL

WARNING



Fuel can catch fire and burn you. Do not smoke. Wipe up spilled fuel.

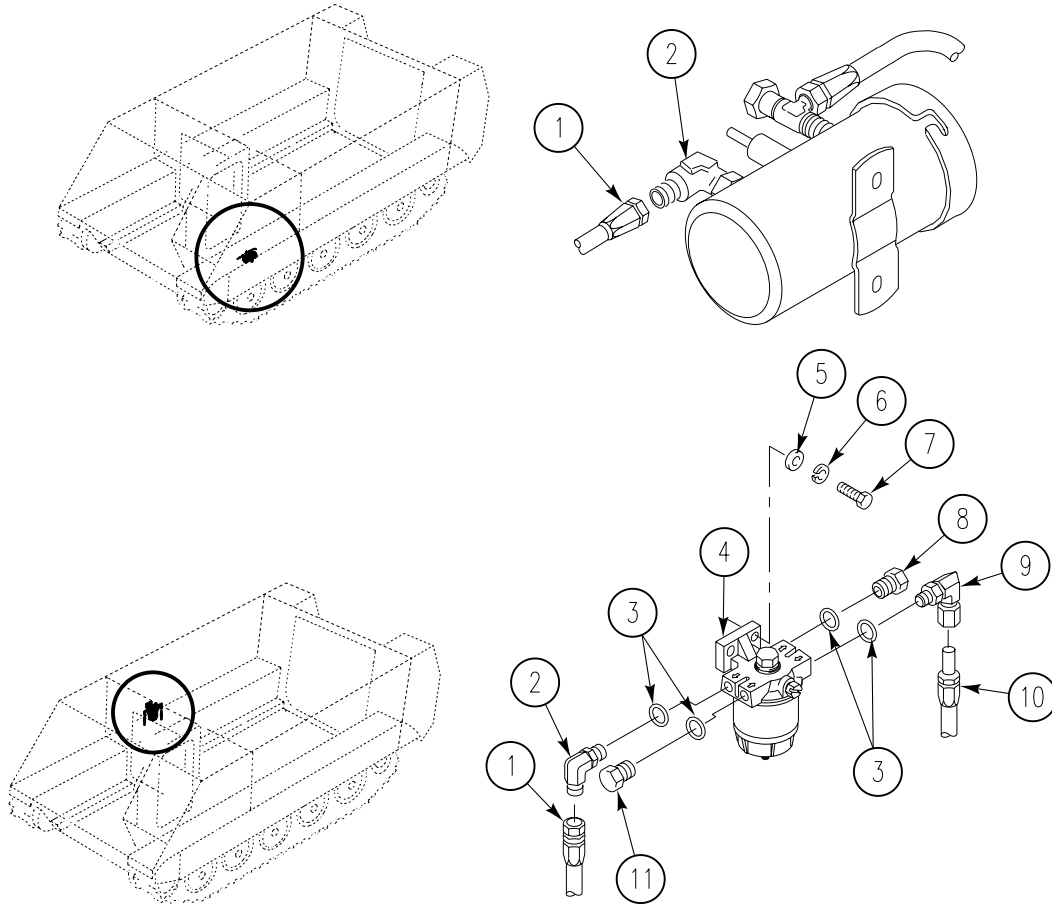
1. Remove three tie down straps (1) from hose assembly (2). Discard straps.



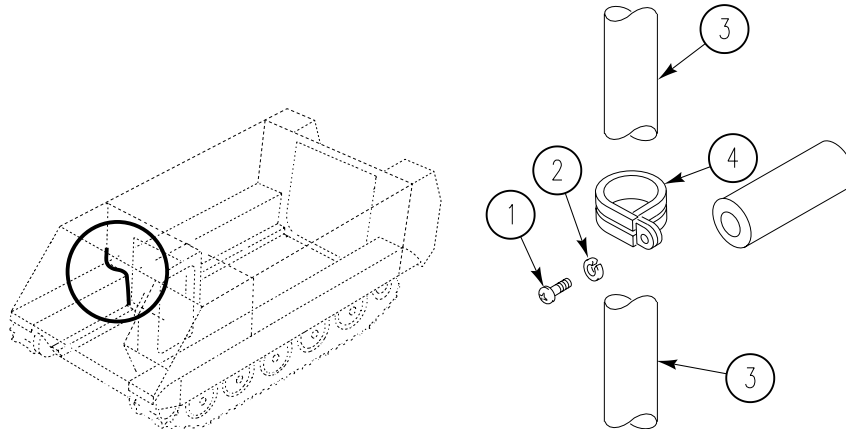
REPLACE PERSONNEL HEATER FUEL FILTER, HOSES, AND FITTINGS (M1064A3 ONLY) — Continued

0688 00

2. Remove hose assembly (1) from fuel pump elbow (2) and fuel filter elbow (9).



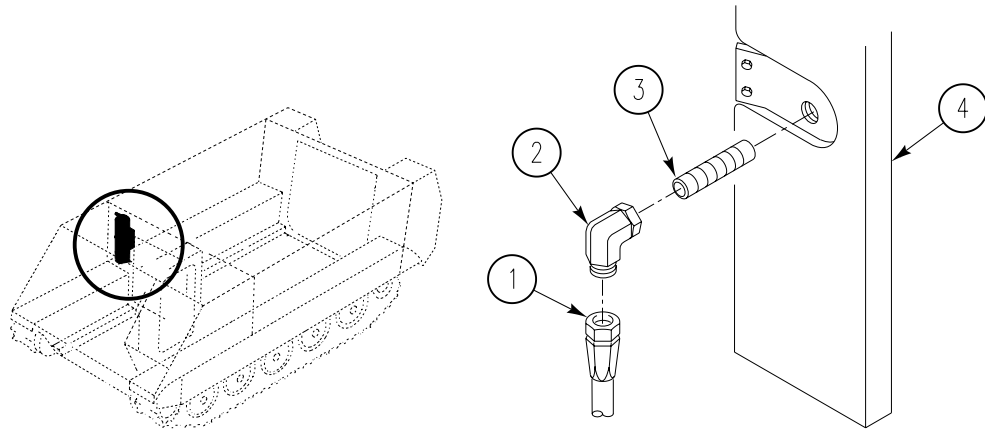
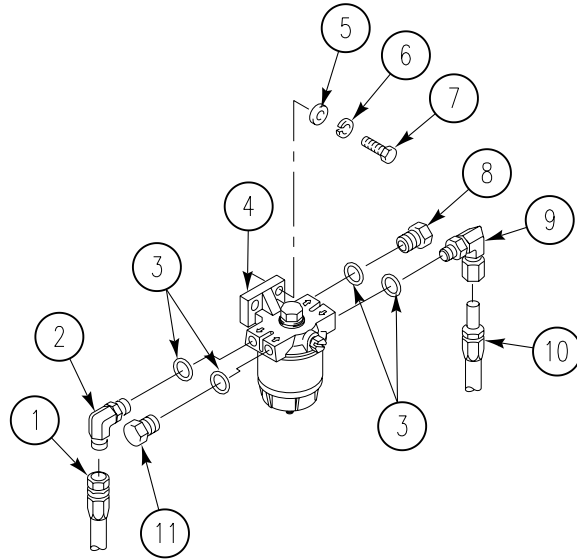
3. Remove three screws (1), lockwashers (2), and clamps (4) from hose assembly (3). Discard lockwashers.



REPLACE PERSONNEL HEATER FUEL FILTER, HOSES, AND FITTINGS (M1064A3 ONLY) — Continued

0688 00

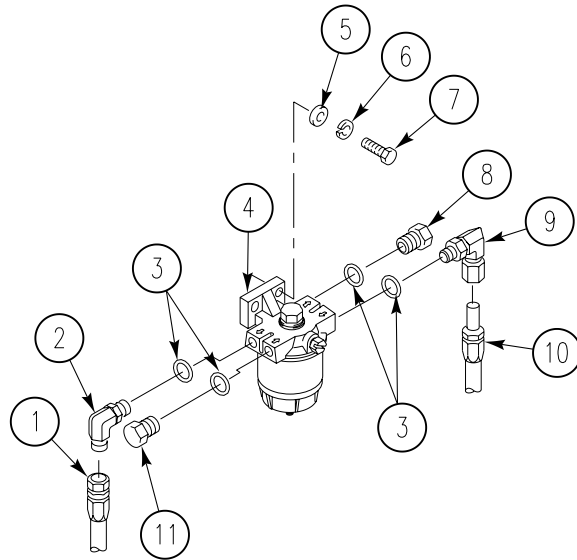
4. Remove hose assembly (1) from fuel filter elbow (2) and personnel heater elbow (2).



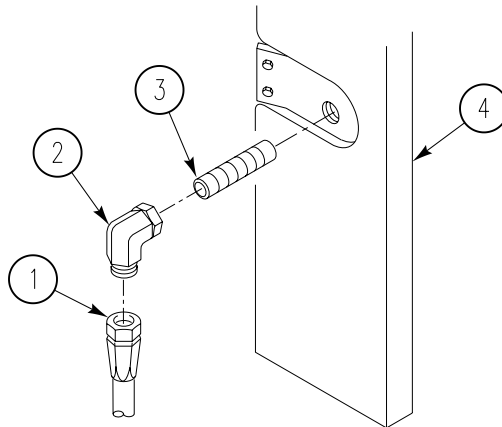
REPLACE PERSONNEL HEATER FUEL FILTER, HOSES, AND FITTINGS (M1064A3 ONLY) — Continued

0688 00

5. Remove two screws (7), lockwashers (6), washers (5), and fuel filter (4) from right sponson. Discard lockwashers.
6. Remove elbow (2) and packing (3) from fuel filter (4). Discard packing.
7. Remove elbow (9) and packing (3) from fuel filter (4). Discard packing.
8. Remove plug (8), plug (11), and packings (3) from fuel filter (4). Discard packing.



9. Remove elbow (2) from nipple (3) and nipple from heater (4).



REPLACE PERSONNEL HEATER FUEL FILTER, HOSES, AND FITTINGS (M1064A3 ONLY) — Continued

0688 00

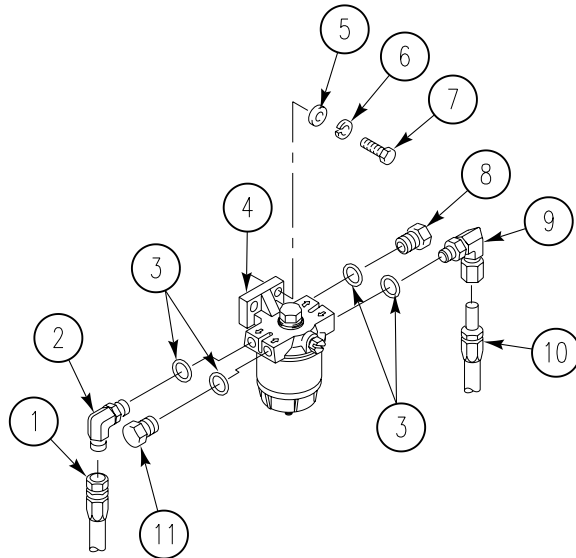
INSTALLATION

1. Apply light coat of sealing compound to all external tapered threads. Do not apply sealant beyond small end of external tapered threads.
2. Install plug (11), plug (8), and new packings (3) in ports 1 and 4 of fuel filter (4).

NOTE

Flareless (compression) fittings are used on the fuel lines. When these fittings are first installed, a sleeve is crimped on the tube or hose end. Consequently, when tubes or hoses are replaced, new fitting sleeves are also required.

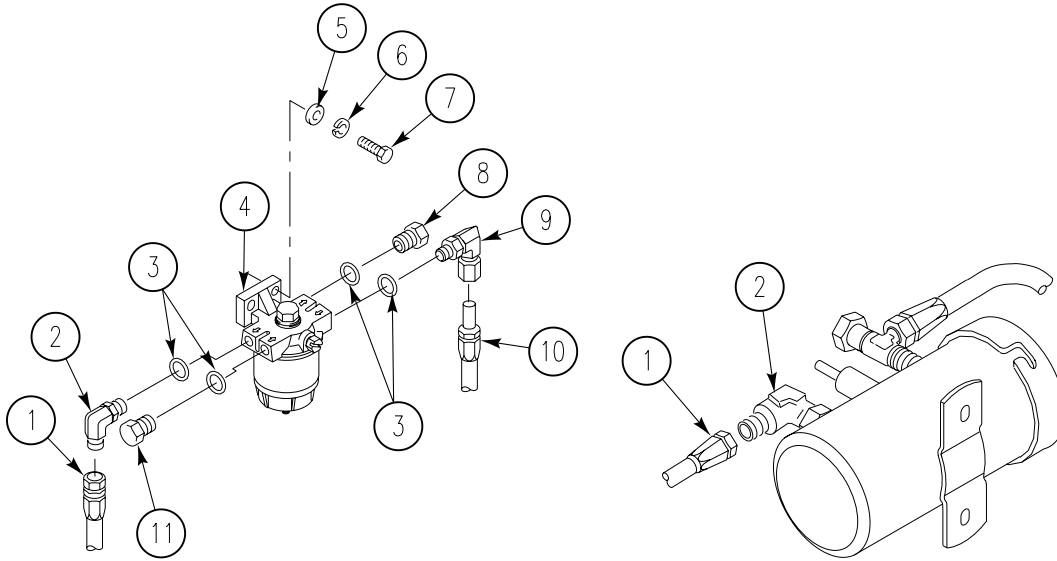
3. Install two elbows (9) or (2) and new packings (3) in ports 2 and 3 of fuel filter (4).
4. Install fuel filter (4) on sponson and secure with two screws (7), new lockwashers (6), and washers (5).



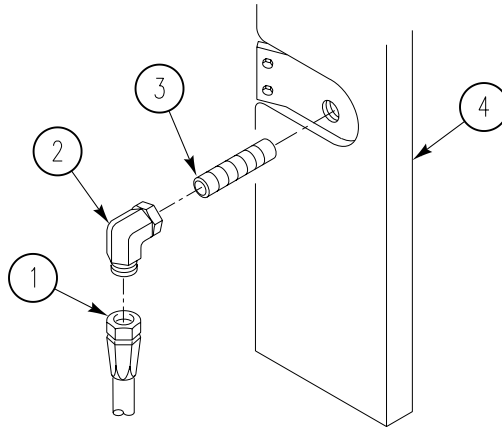
REPLACE PERSONNEL HEATER FUEL FILTER, HOSES, AND FITTINGS (M1064A3 ONLY) — Continued

0688 00

5. Connect hose assembly (10) to fuel filter elbow (9) and fuel pump elbow (2).



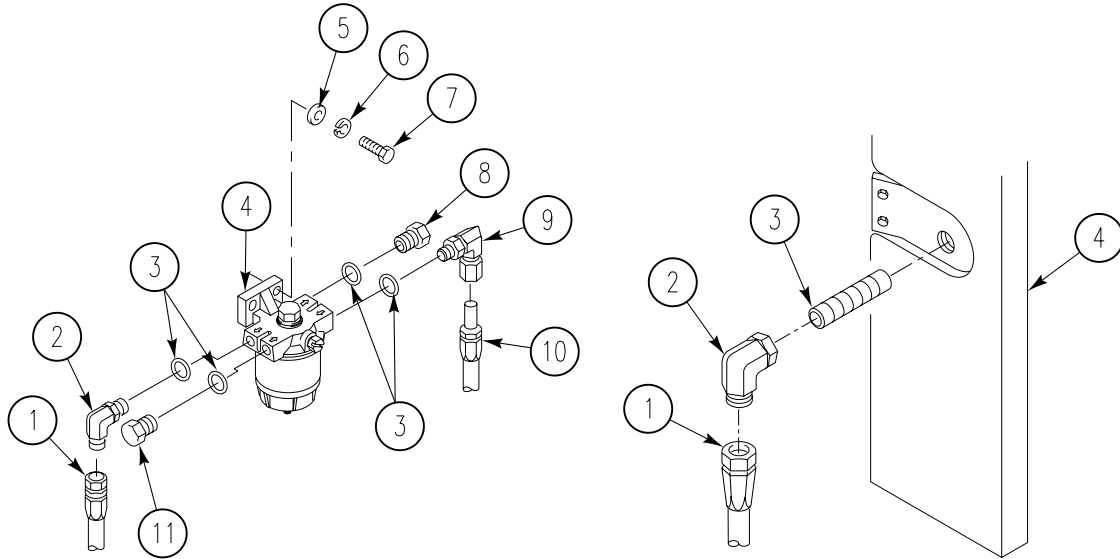
6. Install nipple (3) and elbow (2) on personnel heater (4).



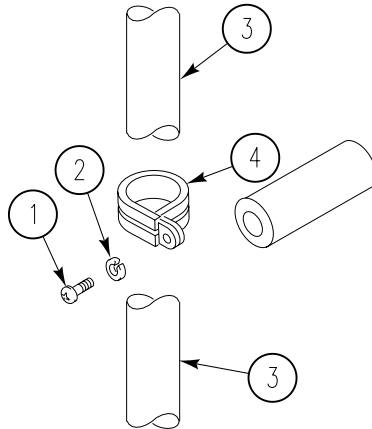
REPLACE PERSONNEL HEATER FUEL FILTER, HOSES, AND FITTINGS (M1064A3 ONLY) — Continued

0688 00

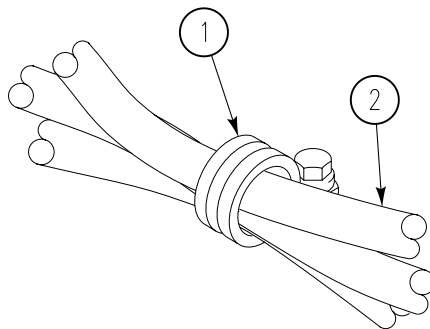
7. Connect hose assembly (1) to fuel filter elbow (2) and personnel heater elbow (2).



8. Install three clamps (4), new lockwashers (2), and screws (1) on hose assembly (3).



9. Install three new tie down straps (1) on hose assembly (2).



REPLACE PERSONNEL HEATER FUEL FILTER, HOSES, AND FITTINGS (M1064A3 ONLY) — Continued

0688 00

FOLLOW-THROUGH STEPS

1. Open heater fuel shutoff valve (see your -10).
2. Connect battery ground strap (WP 0337 00).
3. Bleed fuel line (WP 0679 00).
4. Start heater (see your -10). Check all fittings for leaks. Turn heater off.
5. Install right front floor plate (WP 0543 00).
6. Install heater duct (WP 0706 00).
7. Start engine (see your -10).
8. Raise and lock ramp (see your -10).
9. Stop engine (see your -10).

END OF TASK

REPLACE PERSONNEL HEATER FUEL PUMP HOSE (M113A3, M981A3, M1059A3, AND M58 ONLY)

0689 00

THIS WORK PACKAGE COVERS:

Removal (page 0689 00-2).
 Installation (page 0689 00-3).

INITIAL SETUP:

Maintenance Level

Unit

References

See your -10

Tools and Special Tools

General Mechanic's Tool Kit (WP 0926 00, Item 65)

Equipment Condition

Engine stopped (see your -10)
 Carrier blocked (see your -10)
 Ramp lowered (see your -10)
 Fuel supply valves shut off (see your -10)
 Rear floor plate removed (WP 0539 00), (WP 0541 00),
 (WP 0542 00), or (WP 0545 00)

Materials/Parts

Sealing compound (WP 0928 00, Item 56)

Personnel Required

Unit Mechanic

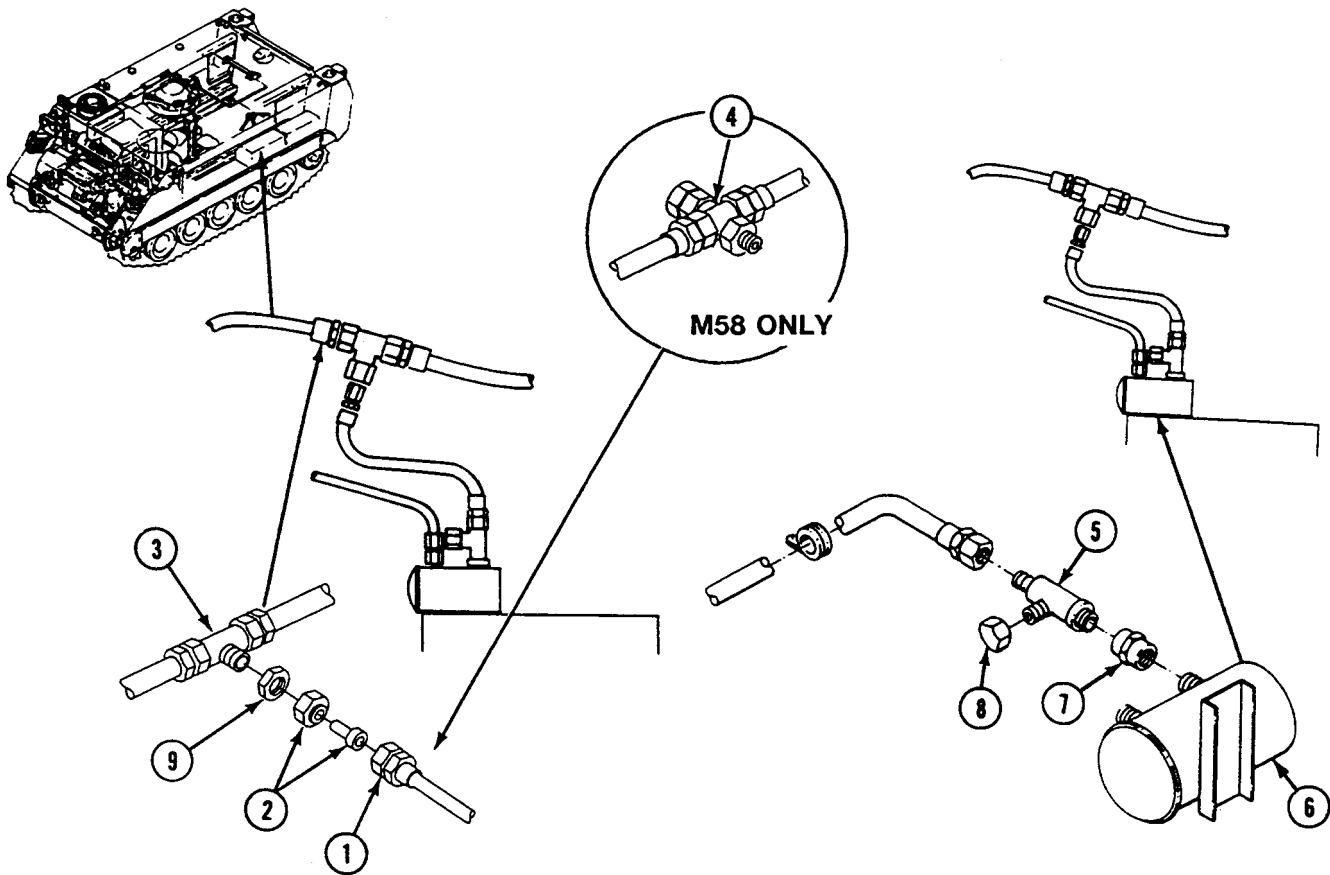
REPLACE PERSONNEL HEATER FUEL PUMP HOSE (M113A3, M981A3, M1059A3, AND M58 ONLY) — Continued

0689 00

REMOVAL**NOTE**

On M58 only, a cross is used instead of a tee.

1. Remove hose (1), nut (9), and reducer (2) from tee (all except M58) (3) or cross (M58 only) (4).
2. Remove hose (1) from tee (5) on fuel pump (6).
3. Remove tee (5) from coupling (7).
4. Remove coupling (7) from fuel pump (6).
5. Remove cap (8) from tee (5).



REPLACE PERSONNEL HEATER FUEL PUMP HOSE (M113A3, M981A3, M1059A3, AND M58 ONLY) — Continued

0689 00

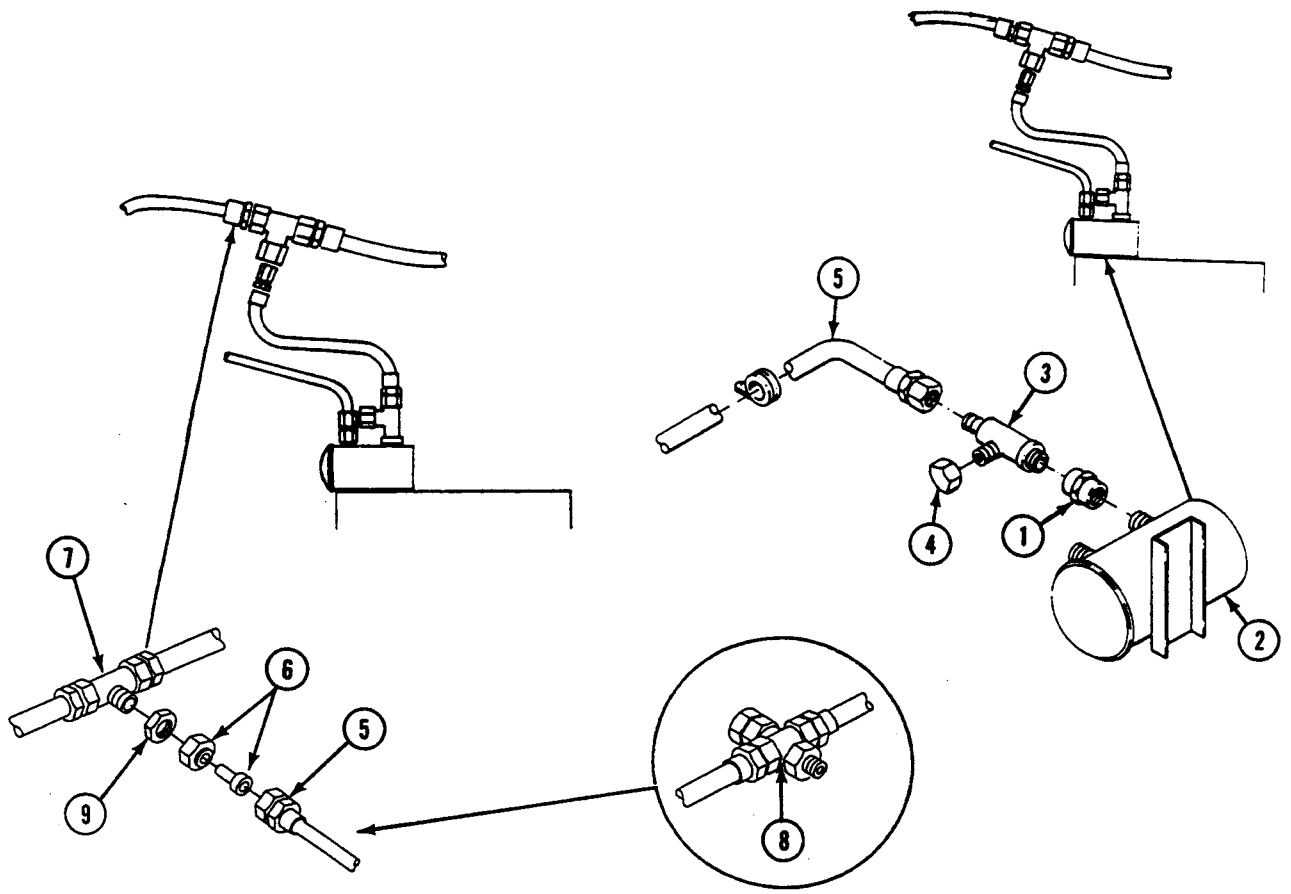
INSTALLATION

1. Install coupling (1) on fuel pump (2).
2. Apply sealing compound to external threads of tee (3).
3. Install tee (3) on coupling (1).
4. Install cap (4) on tee (3).
5. Install hose (5) on tee (3).

NOTE

On M58 only, a cross is used instead of a tee.

6. Install reducer (6) and nut (9) on tee (all except M58) (7) or cross (M58 only) (8).
7. Install hose (5) on reducer (6).



M58 ONLY

**REPLACE PERSONNEL HEATER FUEL PUMP HOSE (M113A3, M981A3, M1059A3, AND
M58 ONLY) — Continued**

0689 00

FOLLOW-THROUGH STEPS

1. Open fuel supply valves (see your -10).
2. Install rear floor plate (WP 0539 00), (WP 0539 00), (WP 0541 00), (WP 0542 00), or (WP 0545 00).
3. Start engine (see your -10).
4. Raise and lock ramp (see your -10).
5. Stop engine (see your -10).

END OF TASK

REPLACE FUEL TANK TO FUEL PUMP HOSE (M577A3 AND M1068A3 ONLY)

0690 00

THIS WORK PACKAGE COVERS:

Removal (page 0690 00-2).
 Installation (page 0690 00-3).

INITIAL SETUP:

Maintenance Level

Unit

References

See your -10

Tools and Special Tools

General Mechanic's Tool Kit (WP 0926 00, Item 65)
 Pipe Wrench (WP 0926 00, Item 77)

Equipment Condition

Engine stopped (see your -10)
 Carrier blocked (see your -10)
 Ramp lowered (see your -10)
 Battery ground lead disconnected (WP 0338 00)
 Rear floor plate removed (WP 0539 00) or (WP 0544 00)
 Fuel tanks drained (WP 0178 00)

Materials/Parts

Sealing compound (WP 0928 00, Item 56)
 Wiping rag (WP 0928 00, Item 65)

Personnel Required

Unit Mechanic

REPLACE FUEL TANK TO FUEL PUMP HOSE (M577A3 AND M1068A3 ONLY) —
Continued

0690 00

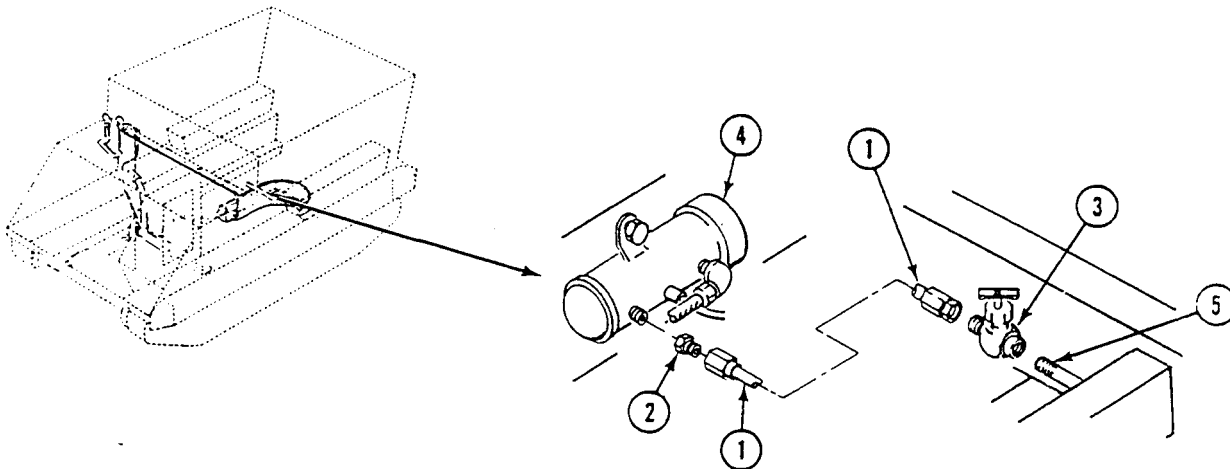
REMOVAL

WARNING



Fuel can catch fire and burn you. Do not smoke. Wipe up spilled fuel.

1. Remove fuel hose (1) from adapter (2) and shutoff valve (3).
2. Remove adapter (2) from fuel pump (4).
3. Remove shutoff valve (3) from nipple (5).
4. If damaged, remove nipple (5) from fuel cross pipe.



REPLACE FUEL TANK TO FUEL PUMP HOSE (M577A3 AND M1068A3 ONLY) —
Continued

0690 00

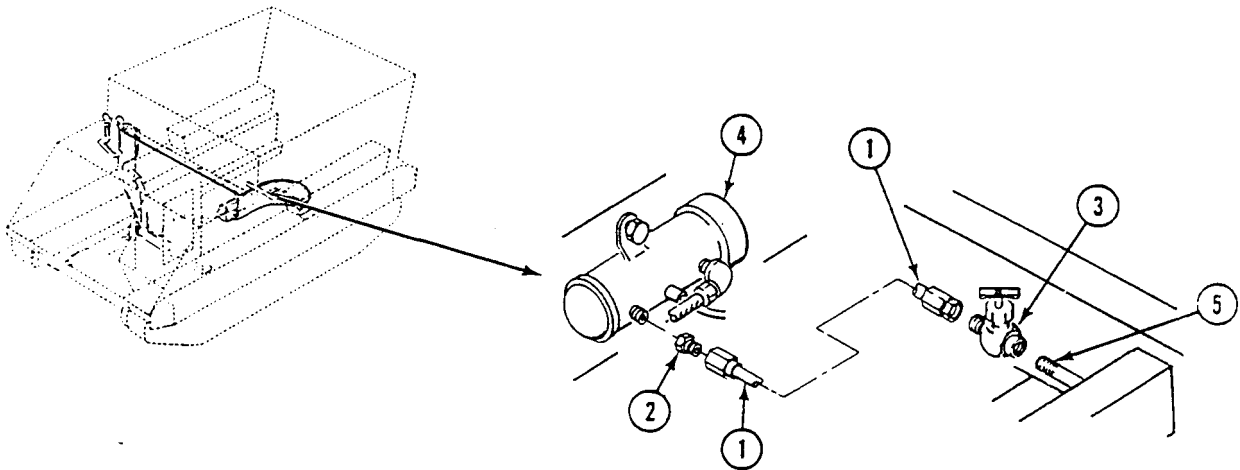
INSTALLATION

1. Apply light coat of sealing compound to all external tapered threads. Do not apply sealant beyond small end of external tapered threads.

NOTE

Flareless (compression) fittings are used on the fuel lines. When these fittings are first installed, a sleeve is crimped on the tube or hose end. Consequently, when tubes or hoses are replaced, new fitting sleeves are also required.

2. If necessary, install nipple (5) in fuel cross pipe.
3. Install shutoff valve (3) on nipple (5).
4. Install adapter (2) on fuel pump (4).
5. Install fuel hose (1) on adapter (2) and shutoff valve (3).

**FOLLOW-THROUGH STEPS**

1. Fill fuel tanks (see your -10).
2. Connect battery ground lead (WP 0338 00).
3. Bleed fuel line (WP 0679 00).
4. Start heater (see your -10). Check all fittings for leaks. Turn heater off (see your -10).
5. Install rear floor plate (WP 0539 00) or (WP 0544 00).
6. Start engine (see your -10).
7. Raise and lock ramp (see your -10).
8. Stop engine (see your -10).

END OF TASK

REPLACE FUEL PUMP TO BULKHEAD CONNECTION HOSE (M113A3, M981A3, M1059A3, AND M58 ONLY)

0691 00

THIS WORK PACKAGE COVERS:

Removal (page 0691 00-1).
 Installation (page 0691 00-2).

INITIAL SETUP:

Maintenance Level

Unit

Tools and Special Tools

General Mechanic's Tool Kit (WP 0926 00, Item 65)

Personnel Required

Unit Mechanic

References

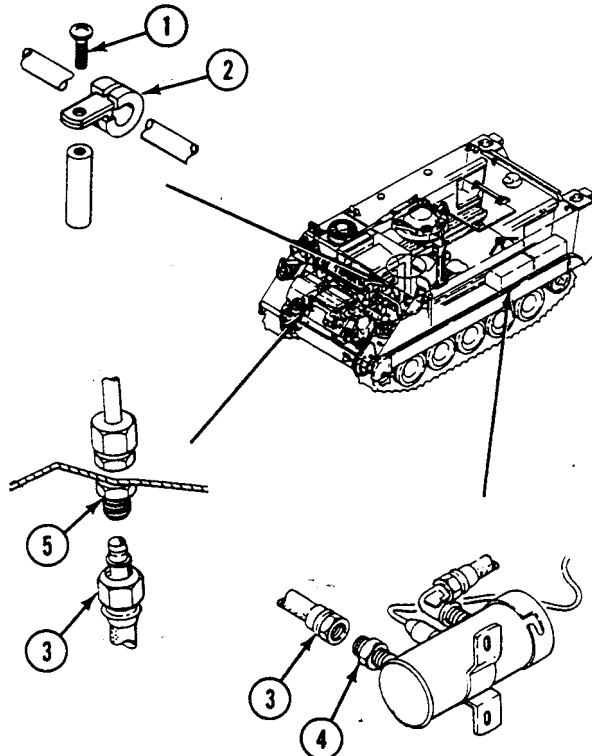
See your -10

Equipment Condition

Engine stopped (see your -10)
 Carrier blocked (see your -10)
 Ramp lowered (see your -10)
 Both main fuel shutoff valves closed (see your -10)
 Battery ground lead disconnected (WP 0337 00)
 Heater duct removed (WP 0706 00)
 Floor plates removed (WP 0539 00), (WP 0541 00),
 (WP 0542 00), or (WP 0545 00)
 Heater fuel shutoff valve closed (see your -10)

REMOVAL

1. Remove eight screws (1) and clamps (2) from hull weldnuts.
2. Disconnect fuel hose (3) from fuel pump adapter (4) and nipple (5). Remove hose.
3. Remove eight clamps (2) from hose (3).

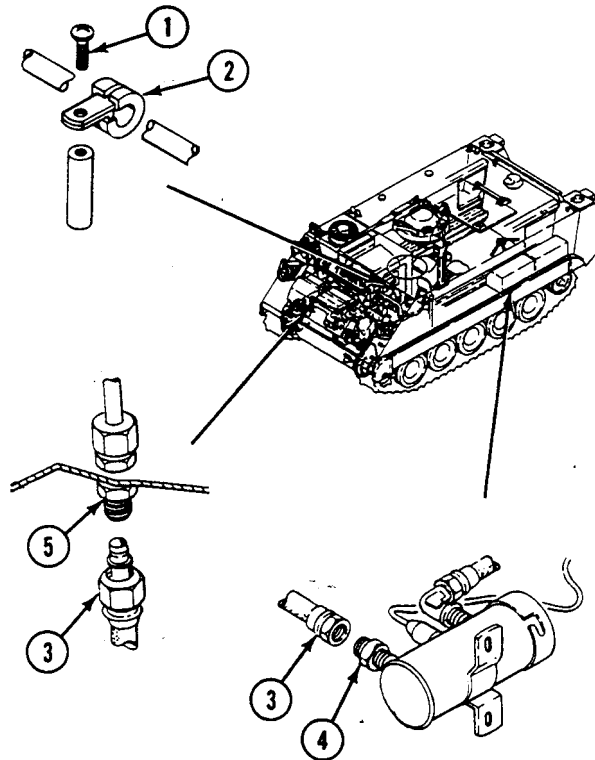


**REPLACE FUEL PUMP TO BULKHEAD CONNECTION HOSE (M113A3, M981A3,
M1059A3, AND M58 ONLY) — Continued**

0691 00

INSTALLATION

1. Connect new hose (3) to fuel pump adapter (4).
2. Route hose (3) through hull openings. Connect hose to nipple (5).
3. Install eight clamps (2) on hose (3) next to hull weldnuts. Secure clamps to weldnuts with eight screws (1).

**FOLLOW-THROUGH STEPS**

1. Open both main fuel shutoff valves (see your -10).
2. Connect battery ground lead (WP 0337 00).
3. Bleed fuel line (WP 0679 00).
4. Start heater (see your -10). Check all fittings for leaks. Turn heater off.
5. Install floor plates (WP 0539 00), (WP 0541 00), (WP 0542 00), or (WP 0545 00).
6. Install heater duct (WP 0706 00).

END OF TASK

REPLACE FUEL PUMP TO BULKHEAD CONNECTION HOSE (M577A3 AND M1068A3 ONLY)

0692 00

THIS WORK PACKAGE COVERS:

Removal (page 0692 00-2).
 Installation (page 0692 00-3).

INITIAL SETUP:

Maintenance Level

Unit

References

See your -10

Tools and Special Tools

General Mechanic's Tool Kit (WP 0926 00, Item 65)

Equipment Condition

Engine stopped (see your -10)
 Carrier blocked (see your -10)
 Ramp lowered (see your -10)
 Battery ground lead disconnected (WP 0338 00)
 Heater duct removed (WP 0706 00)
 Floor plates removed (WP 0539 00) or (WP 0544 00)
 Heater fuel shutoff valve closed (see your -10)

Materials/Parts

Wiping rag (WP 0928 00, Item 65)
 Lockwasher (10)

Personnel Required

Unit Mechanic

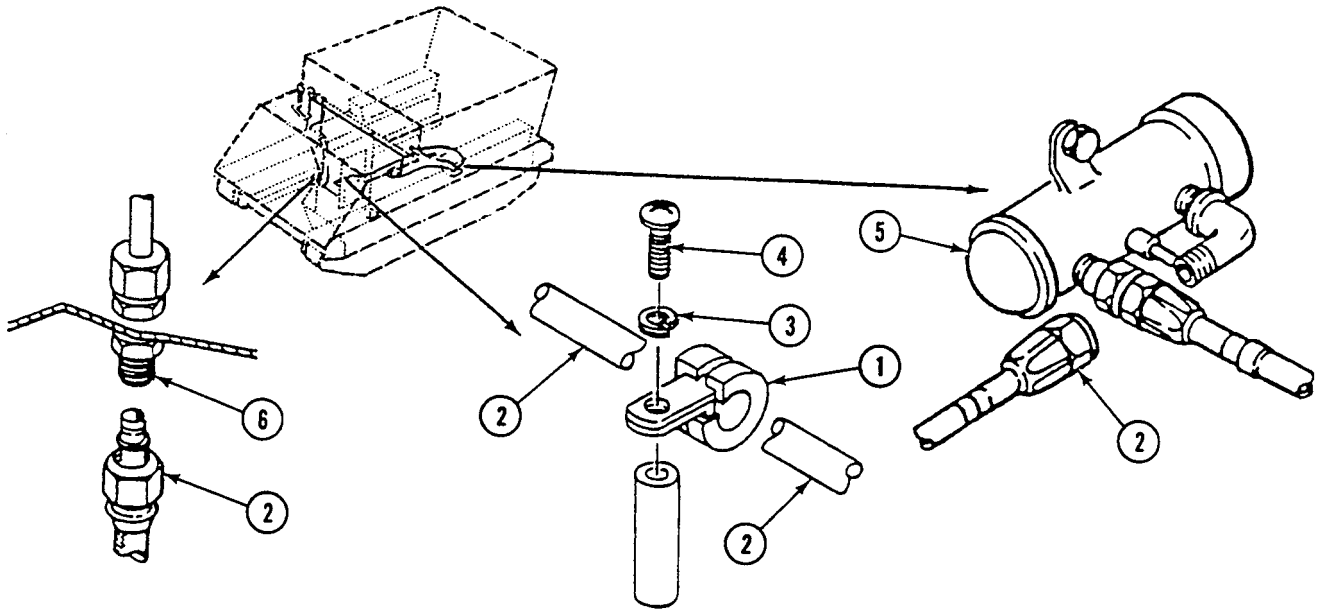
REPLACE FUEL PUMP TO BULKHEAD CONNECTION HOSE (M577A3 AND M1068A3 ONLY) — Continued

0692 00

INSTALLATION**NOTE**

Flareless (compression) fittings are used on the fuel lines. When these fittings are first installed, a sleeve is crimped on the tube or hose end. Consequently, when tubes or hoses are replaced, new fitting sleeves are also required.

1. Install 10 clamps (1) on hose (2).
2. Route hose (2) through openings in hull cross members. Align 10 clamps (1) with hull weldnuts. Secure with 10 new lockwashers (3) and screws (4).
3. Install fuel hose (2) on fuel pump (5) and nipple (6).

**FOLLOW-THROUGH STEPS**

1. Open heater fuel shutoff valve (see your -10).
2. Connect battery ground lead (WP 0338 00).
3. Bleed fuel line (WP 0679 00).
4. Start heater (see your -10). Check all fittings for leaks. Turn heater off.
5. Install floor plates (WP 0539 00) or (WP 0544 00).
6. Install heater duct (WP 0706 00).
7. Start engine (see your -10).
8. Raise and lock ramp (see your -10).
9. Stop engine (see your -10).

END OF TASK

**REPLACE PERSONNEL HEATER FUEL PUMP TO BULKHEAD
CONNECTION HOSE (M901A3 ONLY)**

0693 00

THIS WORK PACKAGE COVERS:

Removal (page 0693 00-2).
Installation (page 0693 00-3).

INITIAL SETUP:

Maintenance Level

Unit

References

See your -10

Tools and Special Tools

General Mechanic's Tool Kit (WP 0926 00, Item 65)

Equipment Condition

Engine stopped (see your -10)
Carrier blocked (see your -10)
Ramp lowered (see your -10)
Battery ground strap disconnected (WP 0337 00)
Heater duct removed (WP 0706 00)
Front floor plates removed (WP 0540 00)
Heater fuel shutoff valve closed (see your -10)

Materials/Parts

Wiping rag (WP 0928 00, Item 65)

Personnel Required

Unit Mechanic

REPLACE PERSONNEL HEATER FUEL PUMP TO BULKHEAD CONNECTION HOSE
(M901A3 ONLY) — Continued

0693 00

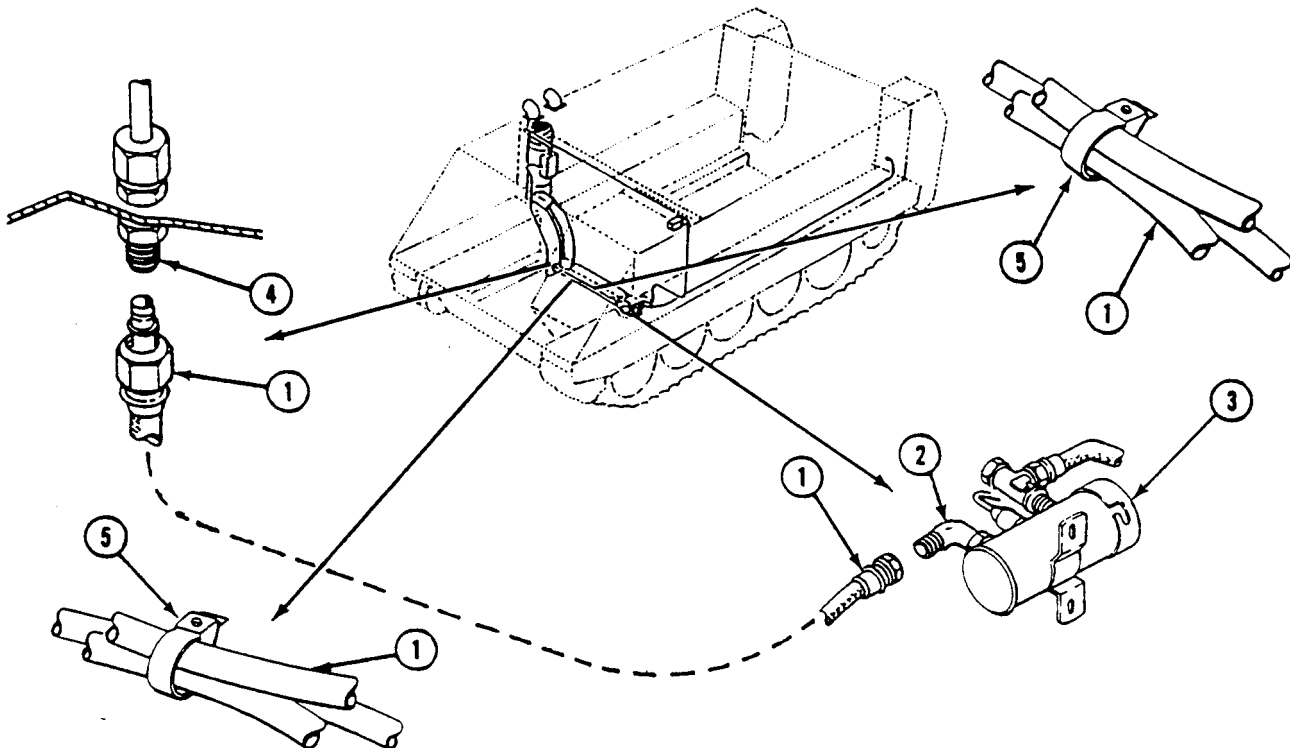
REMOVAL

WARNING



Fuel can catch fire and burn you. Do not smoke. Wipe up spilled fuel.

1. Remove fuel hose (1) from elbow (2) on fuel pump (3) and from nipple (4) at bulkhead.
2. Remove three straps (5) and fuel hose (1) from engine supply and return fuel lines.



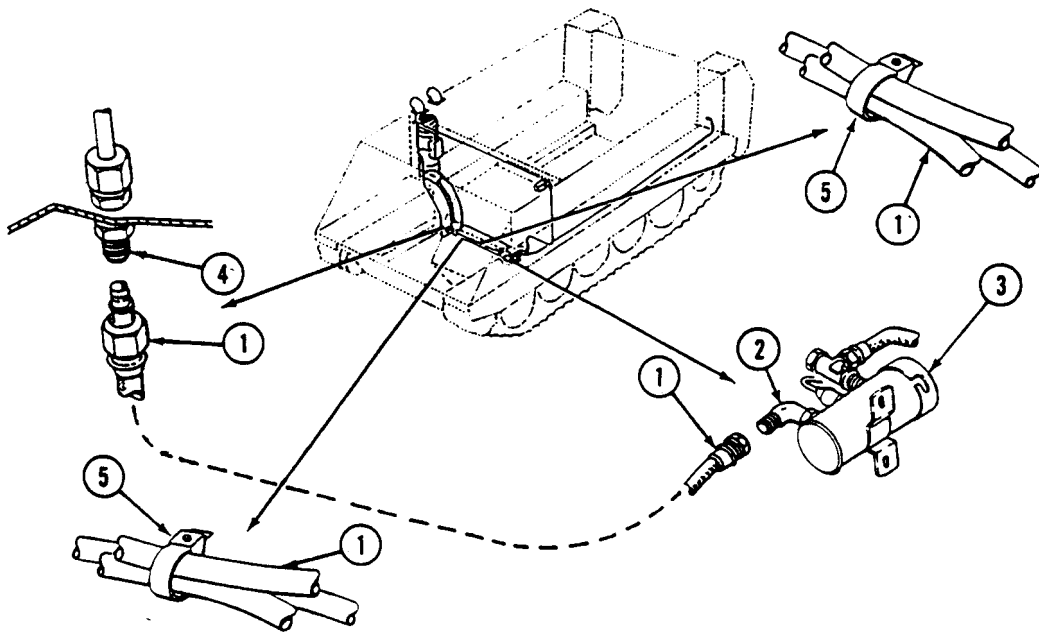
**REPLACE PERSONNEL HEATER FUEL PUMP TO BULKHEAD CONNECTION HOSE
(M901A3 ONLY) — Continued**

0693 00

INSTALLATION**NOTE**

Flareless (compression) fittings are used on the fuel lines. When these fittings are first installed, a sleeve is crimped on the tube or hose end. Consequently, when tubes or hoses are replaced, new fitting sleeves are also required.

1. Install fuel hose (1) on nipple (4) at bulkhead and on elbow (2) on fuel pump (3).
2. Secure hose (1) to engine supply and return fuel lines with three straps (5).

**FOLLOW-THROUGH STEPS**

1. Connect battery ground strap (WP 0337 00).
2. Open heater fuel shutoff valve. Bleed fuel line (WP 0679 00).
3. Start heater (see your -10). Check all fittings for leaks. Turn heater off.
4. Install front floor plates (WP 0540 00).
5. Install heater duct (WP 0706 00).
6. Start engine (see your -10).
7. Raise and lock ramp (see your -10).
8. Stop engine (see your -10).

END OF TASK

**REPLACE FUEL PUMP HOSE TO HEATER FUEL SHUTOFF VALVE
(M901A3 AND M1064A3 ONLY)**

0694 00

THIS WORK PACKAGE COVERS:

Removal (page 0694 00-1).
Installation (page 0694 00-3).

INITIAL SETUP:

Maintenance Level

Unit

References

See your -10

Tools and Special Tools

General Mechanic's Tool Kit (WP 0926 00, Item 65)

Equipment Condition

Engine stopped (see your -10)
Carrier blocked (see your -10)
Ramp lowered (see your -10)
Heater fuel shutoff valve closed (see your -10)
Battery ground strap disconnected (WP 0337 00)
Heater duct removed (WP 0706 00)
Left front floor plate removed (WP 0540 00) or
(WP 0543 00)

Materials/Parts

Sealing compound (WP 0928 00, Item 56)
Wiping rag (WP 0928 00, Item 65)
Locknut (2)

Personnel Required

Unit Mechanic

REMOVAL

WARNING



Fuel flowing over a metal surface causes static electricity. This will cause a spark unless the surface is grounded.

WARNING

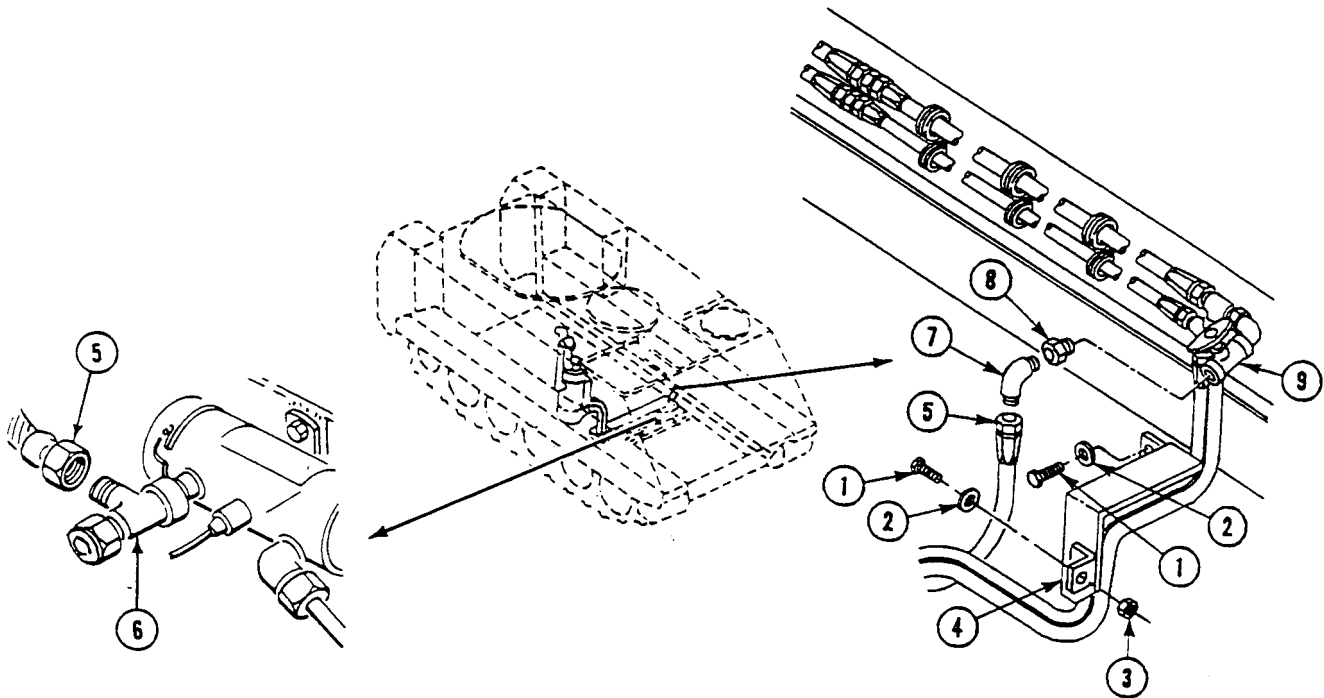


Fuel can catch fire and burn you. Do not smoke. Wipe up spilled fuel.

REPLACE FUEL PUMP HOSE TO HEATER FUEL SHUTOFF VALVE (M901A3 AND M1064A3 ONLY) — Continued

0694 00

1. Remove two screws (1), washers (2), locknuts (3), and guard (4) from hull. Discard locknuts.
2. Remove hose (5) from tee (6) and elbow (7).
3. Remove elbow (7) from adapter (8).
4. Remove adapter (8) from valve (9).

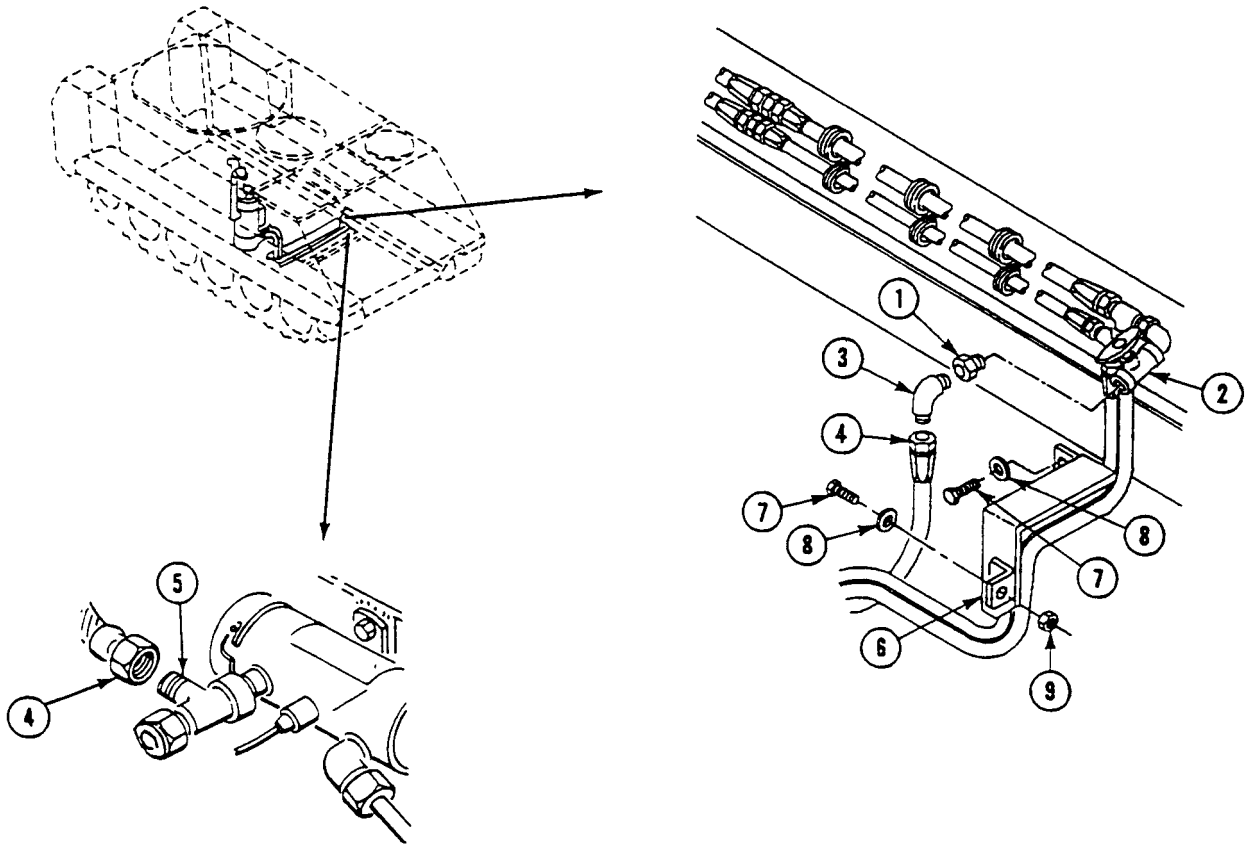


REPLACE FUEL PUMP HOSE TO HEATER FUEL SHUTOFF VALVE (M901A3 AND M1064A3 ONLY) — Continued

0694 00

INSTALLATION

1. Apply a thin, even coat of sealing compound to cleaned external threads of fitting before installation.
2. Install adapter (1) on valve (2).
3. Install elbow (3) on adapter (1).
4. Install hose (4) on elbow (3) and tee (5).
5. Install guard (6), two screws (7), washers (8), and new locknuts (9) on hull.



REPLACE FUEL PUMP HOSE TO HEATER FUEL SHUTOFF VALVE (M901A3 AND M1064A3 ONLY) — Continued

0694 00

FOLLOW-THROUGH STEPS

1. Open heater fuel supply shutoff valve (see your -10). Check for leaks.
2. Install left front floor plate (WP 0540 00) or (WP 0543 00).
3. Install heater duct (WP 0706 00).
4. Connect battery ground strap (WP 0337 00).
5. Start engine (see your -10).
6. Raise and lock ramp (see your -10).
7. Stop engine (see your -10).

END OF TASK

REPLACE PERSONNEL HEATER FUEL PUMP (M113A3, M1059A3, AND M58 ONLY)

0695 00

THIS WORK PACKAGE COVERS:

Removal (page 0695 00-1).
 Installation (page 0695 00-3).

INITIAL SETUP:

Maintenance Level

Unit

References

See your -10

Tools and Special Tools

General Mechanic's Tool Kit (WP 0926 00, Item 65)

Equipment Condition

Engine stopped (see your -10)
 Carrier blocked (see your -10)
 Ramp lowered (see your -10)
 Heater fuel pump shutoff valve closed (see your -10)
 Battery ground strap disconnected (WP 0337 00)
 Rear floor plate removed (WP 0539 00), (WP 0542 00),
 or (WP 0545 00)

Materials/Parts

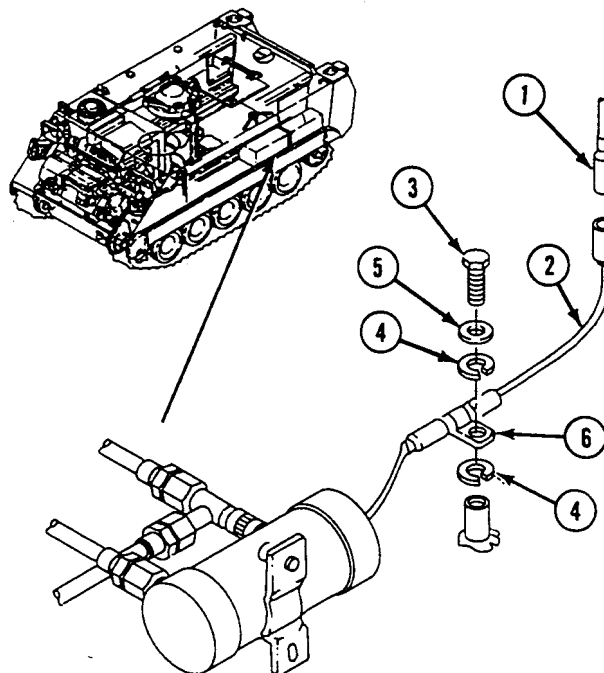
Sealing compound (WP 0928 00, Item 56)
 Lockwasher (6)

Personnel Required

Unit Mechanic

REMOVAL

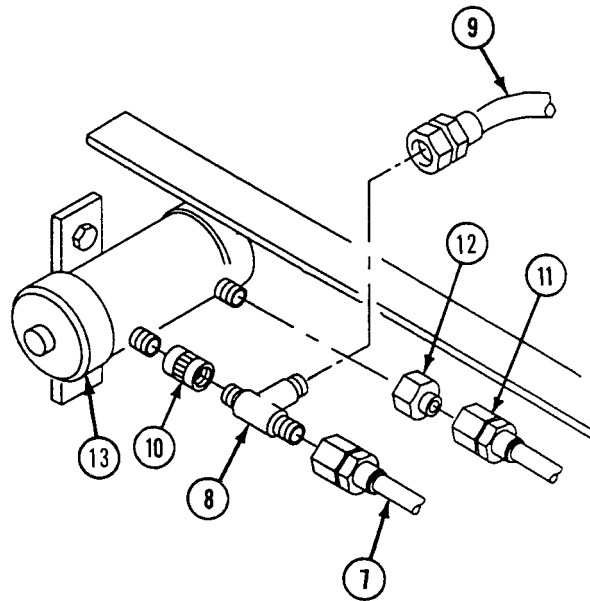
1. Disconnect circuit 402 lead (1) from pump lead (2).
2. Remove screw (3), two lockwashers (4), washer (5), and clamp (6) from hull weldnut. Discard lockwashers.



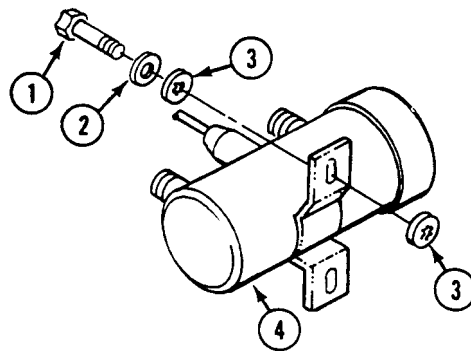
**REPLACE PERSONNEL HEATER FUEL PUMP (M113A3, M1059A3, AND M58 ONLY) —
Continued**

0695 00

3. Disconnect fuel supply hose (7) from tee (8).
4. If engine coolant heater is installed, remove fuel supply line (9) from tee (8). Remove tee and pipe coupling (10) from fuel pump (13).
5. Disconnect fuel hose (11) from adapter (12). Remove adapter from fuel pump (13).



6. Remove two screws (1), two washers (2), four lockwashers (3), and fuel pump (4) from bulkhead bracket. Discard lockwashers.

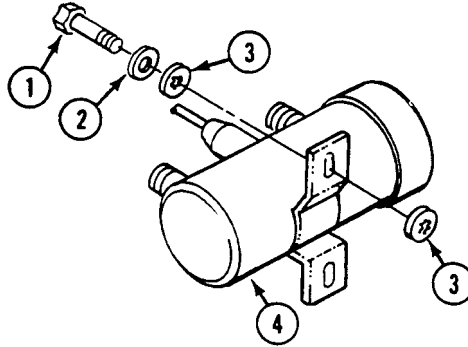


REPLACE PERSONNEL HEATER FUEL PUMP (M113A3, M1059A3, AND M58 ONLY) —
Continued

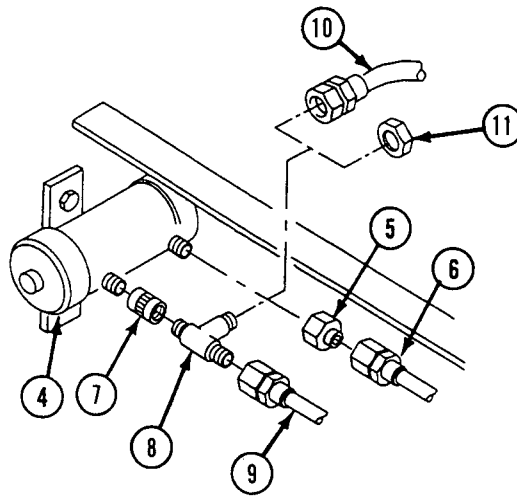
0695 00

INSTALLATION

1. Place fuel pump (4) on bulkhead bracket. Secure with four new lockwashers (3), two washers (2), and screws (1).



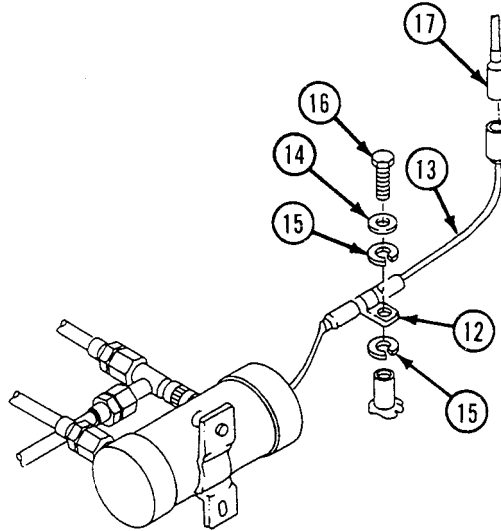
2. Apply light coat of sealing compound to all external tapered threads. Do not apply sealant beyond small end of tapered threads.
3. Install adapter (5) on fuel pump (4). Install hose (6) on adapter.
4. Install pipe coupling (7) and tee (8) on fuel pump (4).
5. Install fuel supply hose (9) on tee (8).
6. If engine coolant heater is installed, install fuel supply hose (10) on tee (8). If engine coolant heater is not installed, install cap (11).



REPLACE PERSONNEL HEATER FUEL PUMP (M113A3, M1059A3, AND M58 ONLY) —
Continued

0695 00

- Align clamp (12) on fuel pump lead (13) with hull weldnut. Secure with washer (14), two new lockwashers (15), and screw (16).
- Connect fuel pump lead (13) to circuit 402 lead (17).

**FOLLOW-THROUGH STEPS**

- Connect battery ground strap (WP 0337 00).
- Open heater fuel shutoff valve (see your -10).
- Bleed fuel line (WP 0679 00).
- Start heater (see your -10). Check for fuel leaks. Turn heater off.
- Install rear floor plate (WP 0539 00), (WP 0542 00), or (WP 0545 00).
- Start engine (see your -10).
- Raise and lock ramp (see your -10).
- Stop engine (see your -10).

END OF TASK

REPLACE PERSONNEL HEATER FUEL PUMP (M577A3 AND M1068A3 ONLY)

0696 00

THIS WORK PACKAGE COVERS:

Removal (page 0696 00-1).
 Installation (page 0696 00-4).

INITIAL SETUP:

Maintenance Level

Unit

References

See your -10

Tools and Special Tools

General Mechanic's Tool Kit (WP 0926 00, Item 65)

Equipment Condition

Materials/Parts

Sealing compound (WP 0928 00, Item 56)

Wiping rag (WP 0928 00, Item 65)

Lockwasher (6)

Locknut (2)

Engine stopped (see your -10)

Carrier blocked (see your -10)

Ramp lowered (see your -10)

Battery ground lead disconnected (WP 0338 00)

Personnel Required

Unit Mechanic

Rear floor plate removed (WP 0539 00) or (WP 0544 00)

Heater fuel pump shutoff valve closed (see your -10)

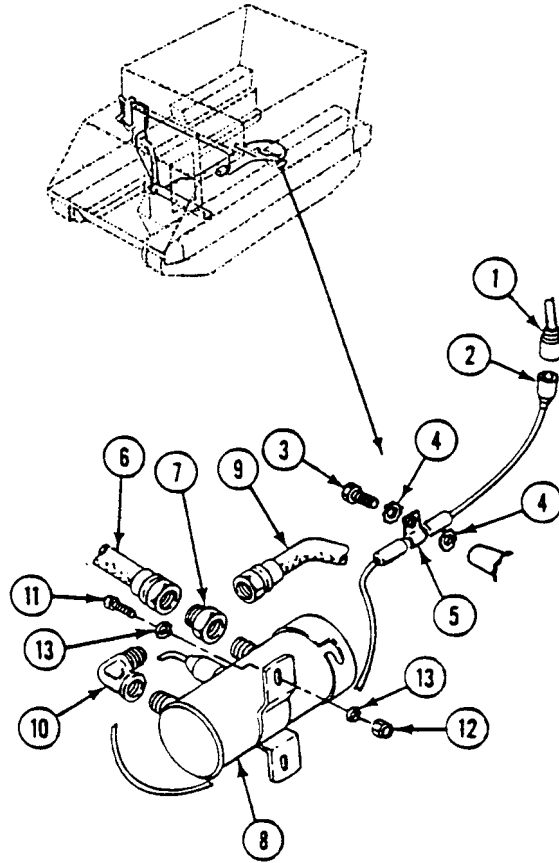
REMOVAL

1. Disconnect circuit 402 lead (1) from fuel pump lead (2).

REPLACE PERSONNEL HEATER FUEL PUMP (M577A3 AND M1068A3 ONLY) —
Continued

0696 00

2. Remove screw (3), two lockwashers (4), and clamp (5) from bulkhead weldnut. Discard lockwashers.



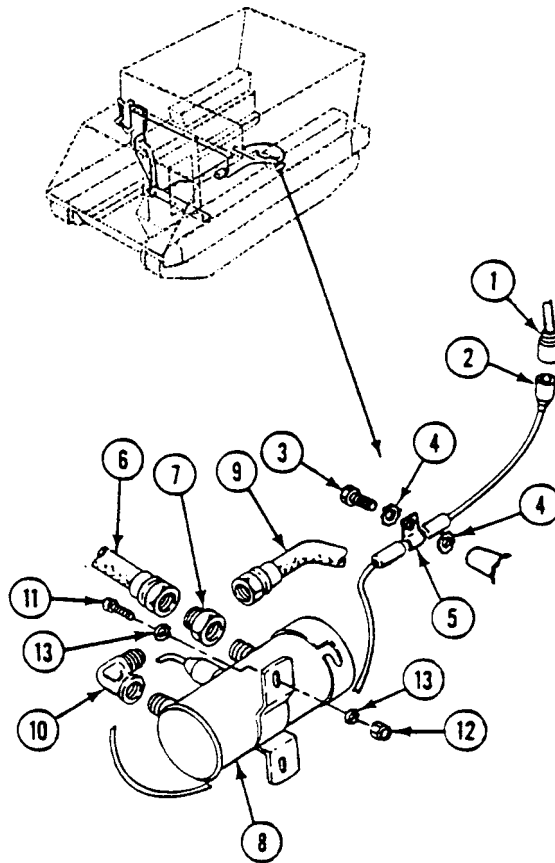
REPLACE PERSONNEL HEATER FUEL PUMP (M577A3 AND M1068A3 ONLY) —
Continued

0696 00

WARNING

Fuel can catch fire and burn you. Do not smoke. Wipe up spilled fuel.

3. Disconnect fuel hose (6) from adapter (7). Remove adapter from fuel pump (8).
4. Disconnect hose (9) from elbow (10). Remove elbow from fuel pump (8).
5. Remove two screws (11), locknuts (12), four lockwashers (13), and fuel pump (8) from bulkhead bracket. Discard lockwashers and locknuts.

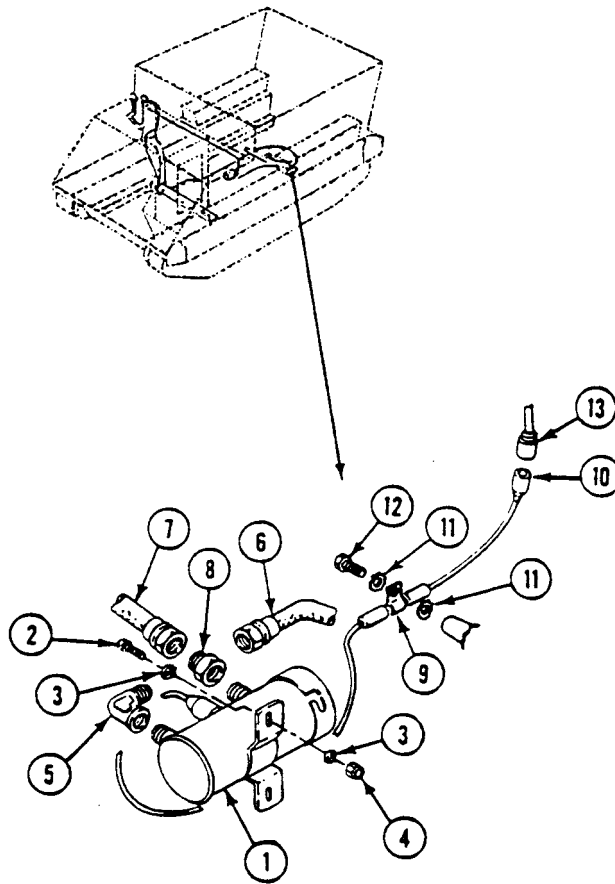


**REPLACE PERSONNEL HEATER FUEL PUMP (M577A3 AND M1068A3 ONLY) —
Continued**

0696 00

INSTALLATION

1. Place fuel pump (1) on bulkhead bracket. Secure with two screws (2), four new lockwashers (3), and two new locknuts (4).
2. Apply light coat of sealing compound to all external tapered threads. Do not apply sealant beyond small end of tapered threads.
3. Install elbow (5) on fuel pump (1). Install fuel hose (6) on elbow. Install hose (6) under hose (7).
4. Install adapter (8) on fuel pump (1). Install fuel hose (7) on adapter.
5. Align clamp (9) on fuel pump lead (10) with weldnut. Secure with two new lockwashers (11) and screw (12).
6. Connect fuel pump lead (10) to circuit 402 lead (13).



REPLACE PERSONNEL HEATER FUEL PUMP (M577A3 AND M1068A3 ONLY) —
Continued

0696 00**FOLLOW-THROUGH STEPS**

1. Connect battery ground lead (WP 0338 00).
2. Open heater fuel shutoff valve (see your -10).
3. Bleed fuel line (WP 0679 00).
4. Start heater (see your -10). Check for fuel leaks. Turn heater off.
5. Install rear floor plate (WP 0539 00) or (WP 0544 00).
6. Start engine (see your -10).
7. Raise and lock ramp (see your -10).
8. Stop engine (see your -10).

END OF TASK

REPLACE HEATER FUEL PUMP (M1064A3 ONLY)

0697 00

THIS WORK PACKAGE COVERS:

Removal (page 0697 00-1).
 Installation (page 0697 00-3).

INITIAL SETUP:

Maintenance Level

Unit

References

See your -10

Tools and Special Tools

General Mechanic's Tool Kit (WP 0926 00, Item 65)

Equipment Condition

- Engine stopped (see your -10)
- Carrier blocked (see your -10)
- Ramp lowered (see your -10)
- Battery ground strap disconnected (WP 0337 00)
- Heater duct removed (WP 0706 00)
- Front floor plate removed (WP 0543 00)
- Heater fuel pump shutoff valve closed (see your -10)

Materials/Parts

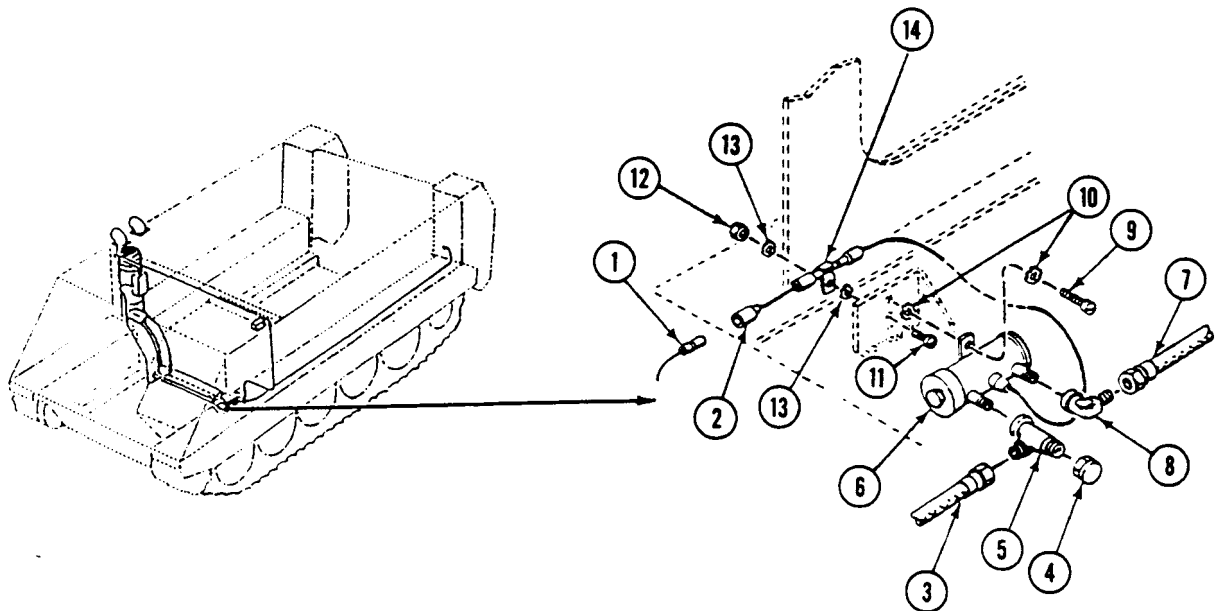
- Sealing compound (WP 0928 00, Item 52)
- Wiping rag (WP 0928 00, Item 65)
- Lockwasher (6)

Personnel Required

Unit Mechanic

REMOVAL

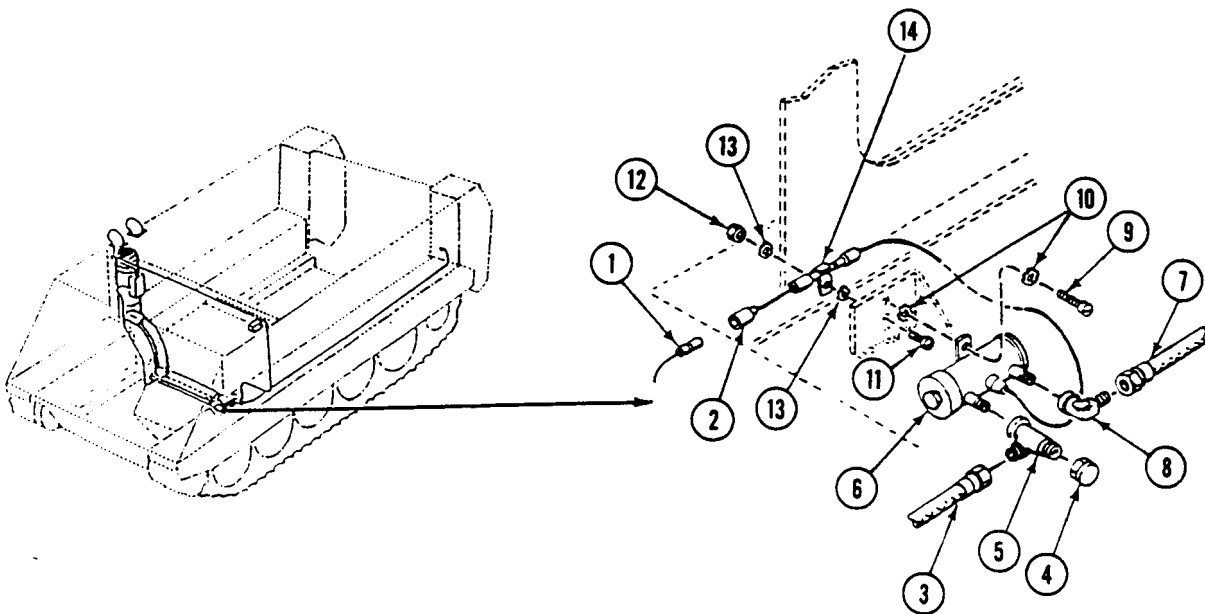
1. Disconnect circuit 402 lead (1) from fuel pump lead (2).



WARNING

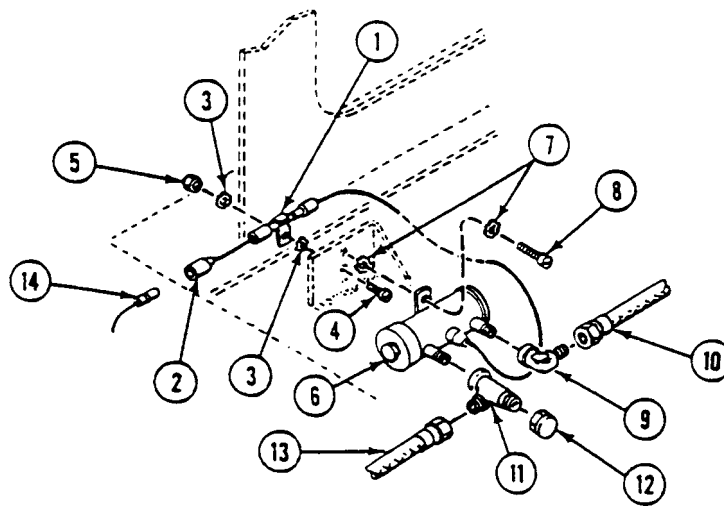
Fuel can catch fire and burn you. Do not smoke. Wipe up spilled fuel.

2. Disconnect fuel hose (3). Remove cap (4) from tee (5). Remove tee from fuel pump (6).
3. Disconnect fuel hose (7) from elbow (8). Remove elbow from fuel pump (6).
4. Remove two screws (9), four lockwashers (10), and fuel pump (6) from hull bracket.
5. Remove screw (11), nut (12), two lockwashers (13), and clamp (14) on fuel pump lead (2) from hull bracket. Discard lockwashers.



INSTALLATION

1. Align clamp (1) on fuel pump lead (2) with hull bracket. Secure with two new lockwashers (3), screw (4) and nut (5).
2. Place fuel pump (6) on hull bracket. Secure with four new lockwashers (7) and two screws (8).
3. Apply light coat of sealing compound to all external tapered threads. Do not apply sealant beyond small end of external tapered threads.
4. Install elbow (9) on fuel pump (6).
5. Install hose (10) on elbow (9).
6. Install tee (11) on fuel pump (6).
7. Install cap (12) on tee (11).
8. Install hose (13) on tee (11).
9. Connect fuel pump lead (2) to circuit 402 lead (14).

**FOLLOW-THROUGH STEPS**

1. Connect battery ground strap (WP 0337 00).
2. Open heater fuel shutoff valve. Bleed fuel line (WP 0679 00).
3. Start heater (see your -10). Check for fuel leaks. Turn heater off.
4. Install front floor plate (WP 0543 00).
5. Install heater duct (WP 0706 00).
6. Start engine (see your -10).
7. Raise and lock ramp (see your -10).
8. Stop engine (see your -10).

END OF TASK

REPLACE PERSONNEL HEATER FUEL FILTER/BRACKET (M113A3, M1059A3, AND M58 ONLY)

0698 00

THIS WORK PACKAGE COVERS:

Removal (page 0698 00-1).
 Installation (page 0698 00-3).

INITIAL SETUP:

Maintenance Level

Unit

Personnel Required

Unit Mechanic

Tools and Special Tools

General Mechanic's Tool Kit (WP 0926 00, Item 65)

References

See your -10

Materials/Parts

Sealing compound (WP 0928 00, Item 52)
 Locknut (2)
 Lockwasher (2)
 Packing (4)

Equipment Condition

Engine stopped (see your -10)
 Carrier blocked (see your -10)
 Ramp lowered (see your -10)
 Main fuel valve shut off (see your -10)

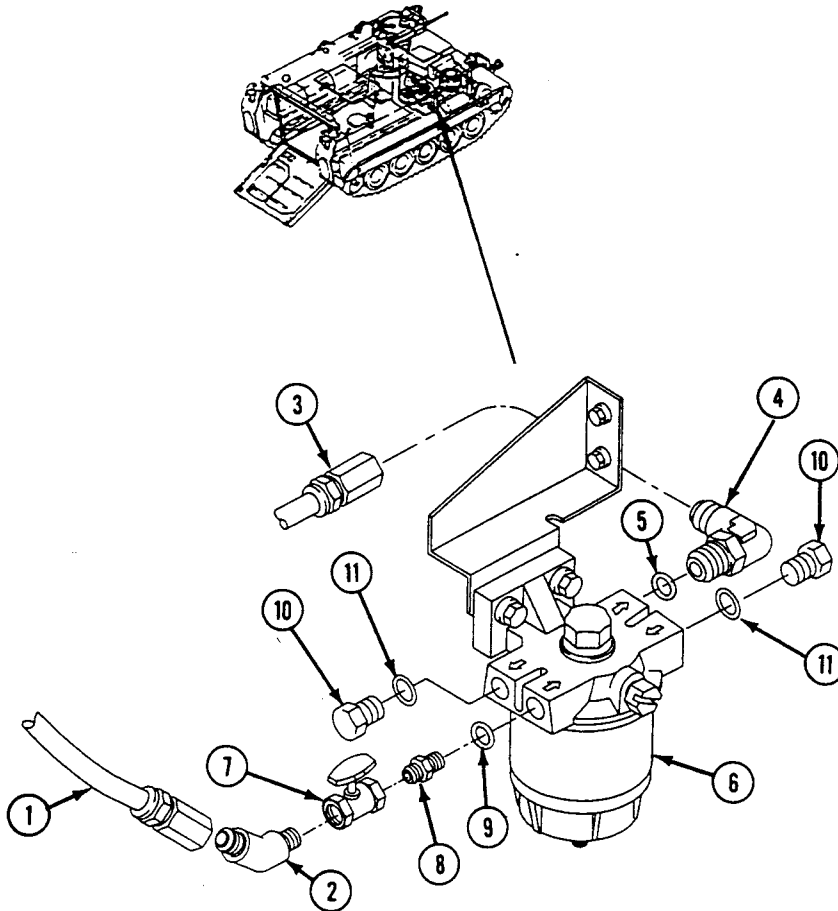
REMOVAL

1. Remove heater fuel inlet hose (1) from elbow (2).
2. Remove heater fuel outlet hose (3) from elbow (4).

REPLACE PERSONNEL HEATER FUEL FILTER/BRACKET (M113A3, M1059A3, AND M58 ONLY) — Continued

0698 00

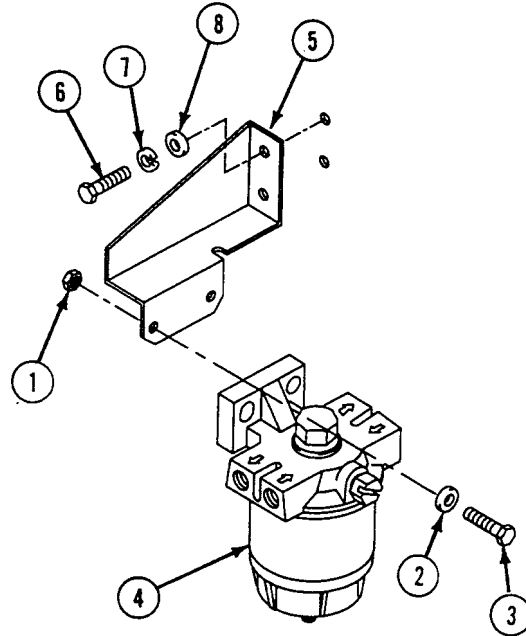
3. Remove elbow (4) and packing (5) from port 4 of fuel filter (6). Discard packing.
4. Remove elbow (2), valve (7), adapter (8), and packing (9) from port 1 of fuel filter (6). Discard packing.
5. Remove two plugs (10) and packings (11) from ports 2 and 3 of fuel filter (6). Discard packings.



REPLACE PERSONNEL HEATER FUEL FILTER/BRACKET (M113A3, M1059A3, AND M58 ONLY) — Continued

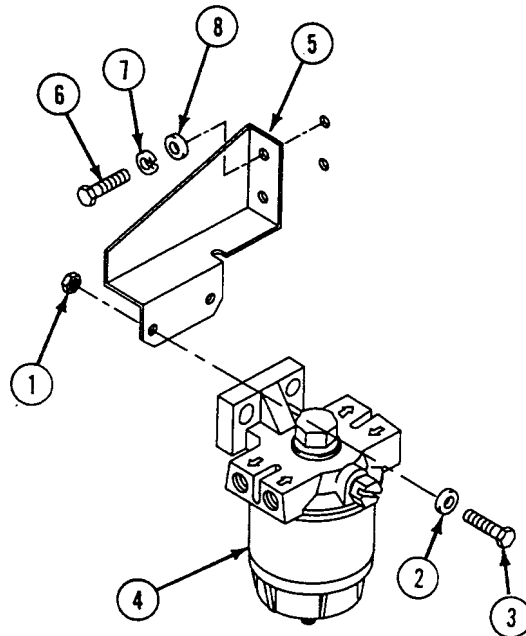
0698 00

6. Remove two locknuts (1), washers (2), screws (3), and fuel filter (4) from bracket (5). Discard locknuts.
7. Remove two screws (6), lockwashers (7), washers (8), and bracket (5) from hull. Discard lockwashers.



INSTALLATION

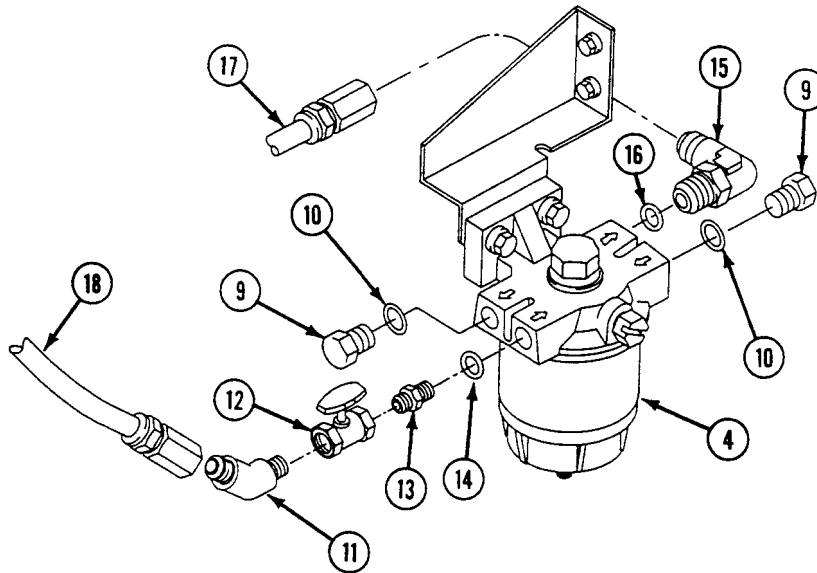
1. Install bracket (5) on hull. Secure with two screws (6), new lockwashers (7), and washers (8).
2. Install fuel filter (4) on bracket (5) with port 4 facing hull. Secure with two screws (3), washers (2), and new locknuts (1).



REPLACE PERSONNEL HEATER FUEL FILTER/BRACKET (M113A3, M1059A3, AND M58 ONLY) — Continued

0698 00

3. Install two plugs (9) and new packings (10) in ports 2 and 3 of fuel filter (4).
4. Install elbow (11), valve (12), adapter (13), and new packing (14) in port 1 of fuel filter (4). Apply sealing compound to external pipe threads of elbow and adapter.
5. Install elbow (15) and new packing (16) in port 4 of fuel filter (4).
6. Install outlet hose (17) on elbow (15).
7. Install inlet hose (18) on elbow (11).

**FOLLOW-THROUGH STEPS**

1. Bleed air from fuel lines (WP 0679 00).
2. Start heater (see your -10). Check for leaks. Turn heater off.
3. Start engine (see your -10).
4. Raise and lock ramp (see your -10).
5. Stop engine (see your -10).

END OF TASK

REPLACE PERSONNEL HEATER FUEL FILTER/BRACKET (M981A3 ONLY)

0699 00

THIS WORK PACKAGE COVERS:

Removal (page 0699 00-1).
 Installation (page 0699 00-3).

INITIAL SETUP:

Maintenance Level

Unit

Personnel Required

Unit Mechanic

Tools and Special Tools

General Mechanic's Tool Kit (WP 0926 00, Item 65)

References

See your -10

Materials/Parts

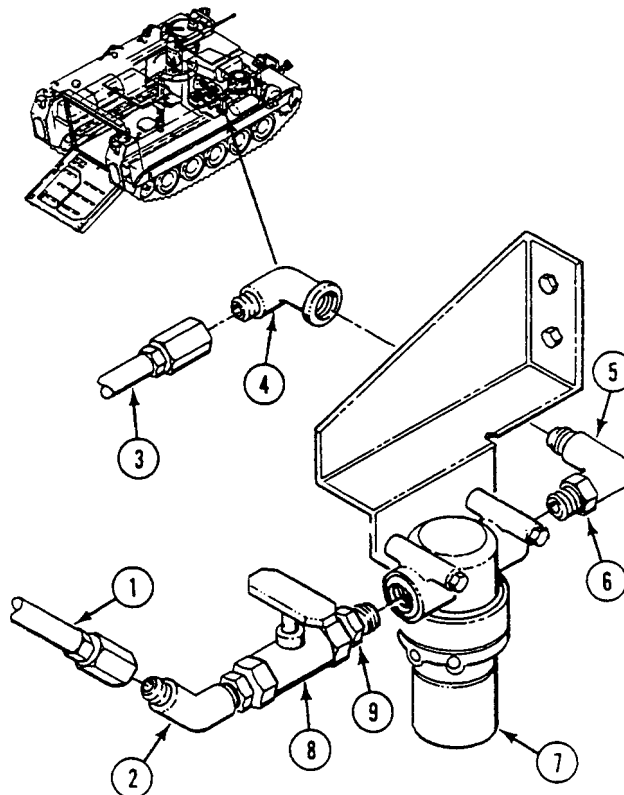
Sealing compound (WP 0928 00, Item 52)
 Lockwasher (2)
 Lockwasher (2)

Equipment Condition

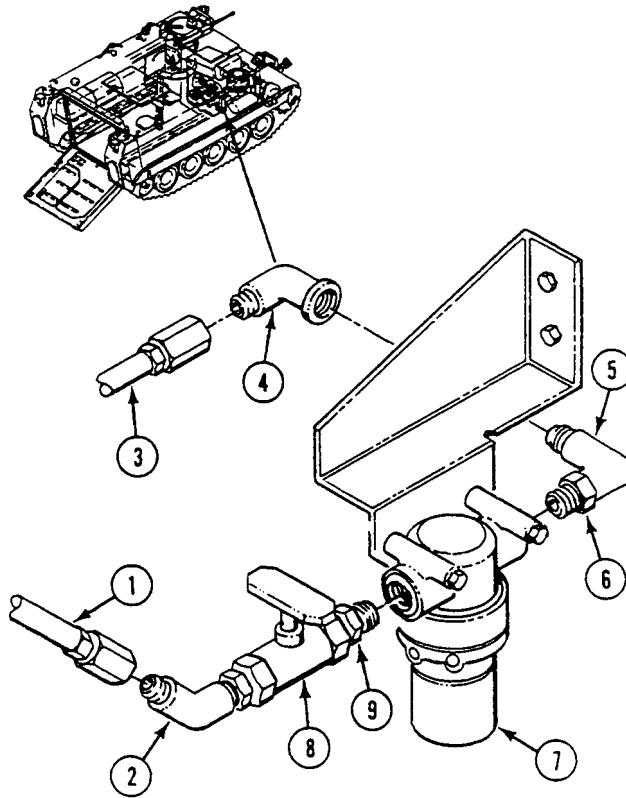
Engine stopped (see your -10)
 Carrier blocked (see your -10)
 Ramp lowered (see your -10)
 Main fuel valve shut off (see your -10)

REMOVAL

1. Remove heater fuel inlet hose (1) from elbow (2).
2. Remove heater fuel outlet hose (3) from elbow (4).
3. Remove elbow (4) from elbow (5).
4. Remove elbow (5) and nipple (6) from OUT port of filter (7).

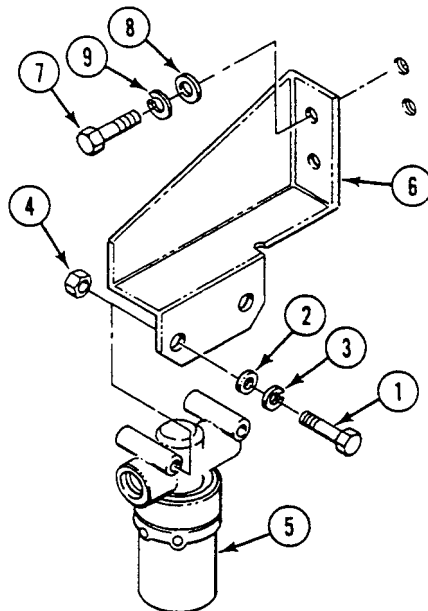


5. Remove elbow (2), valve (8), and nipple (9) from IN port of filter (7).



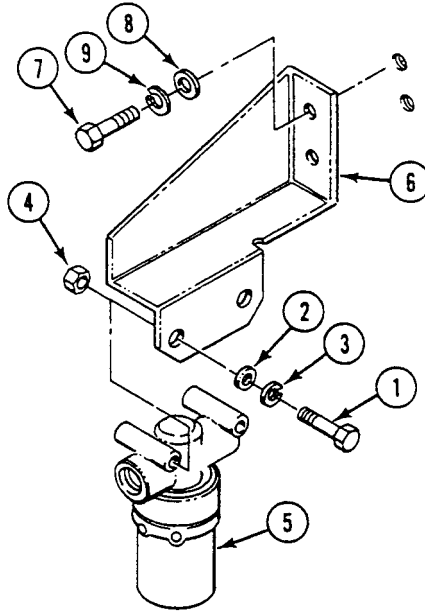
6. Remove two screws (1), washers (2), lockwashers (3), nuts (4), and fuel filter (5) from bracket (6). Discard lockwashers.

7. Remove two screws (7), washers (8), lockwashers (9), and bracket from hull. Discard lockwashers.

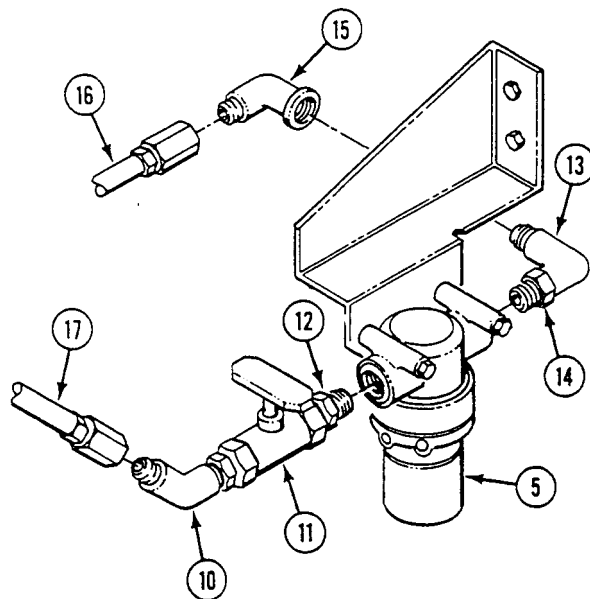


INSTALLATION

1. Install bracket (6) on hull. Secure with two screws (7), washers (8), and new lockwashers (9).
2. Install filter (5) on bracket (6) with OUT port facing hull. Secure with two screws (1), washers (2), new lockwashers (3), and nuts (4).



3. Install elbow (10), valve (11), and nipple (12) in the IN port of fuel filter (5). Apply sealing compound to external threads of nipple.
4. Install elbow (13) and nipple (14) in the OUT port of fuel filter (5). Apply sealing compound to external threads on nipple.
5. Apply sealing compound to external threads of elbow (13). Install elbow (15) to elbow (13).
6. Install outlet hose (16) on elbow (15).
7. Install inlet hose (17) on elbow (10).



FOLLOW-THROUGH STEPS

1. Bleed air from fuel lines (WP 0679 00).
2. Start heater (see your -10). Check for leaks. Turn heater off.
3. Start engine (see your -10).
4. Raise and lock ramp (see your -10).
5. Stop engine (see your -10).

END OF TASK

REPLACE PERSONNEL HEATER FUEL FILTER, HOSE, TUBE, AND FITTINGS (M577A3, M901A3, AND M1068A3 ONLY)

0700 00

THIS WORK PACKAGE COVERS:

Removal (page 0700 00-1).
 Installation (page 0700 00-3).

INITIAL SETUP:

Maintenance Level

Unit

Personnel Required

Unit Mechanic

Tools and Special Tools

General Mechanic's Tool Kit (WP 0926 00, Item 65)

References

See your -10

Materials/Parts

Sealing compound (WP 0928 00, Item 52)
 Wiping rag (WP 0928 00, Item 65)
 Lockwasher (6)
 Packing (4)

Equipment Condition

Engine stopped (see your -10)
 Carrier blocked (see your -10)
 Ramp lowered (see your -10)
 Battery ground strap disconnected (WP 0337 00) or
 (WP 0338 00)
 Heater fuel shutoff valve closed (see your -10)

REMOVAL

WARNING



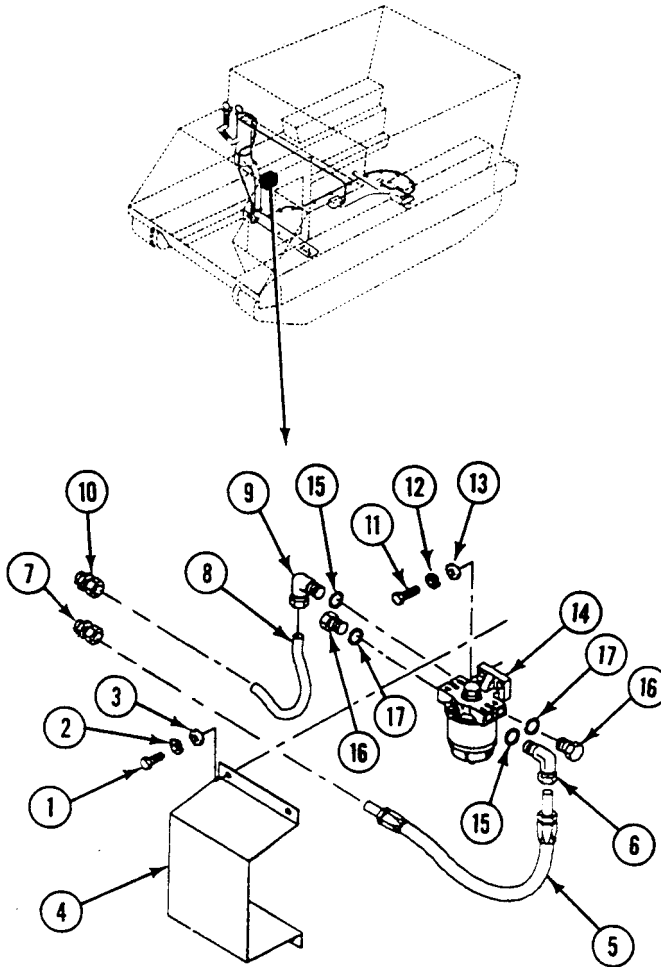
Fuel can catch fire and burn you. Do not smoke. Wipe up spilled fuel.

1. Remove four screws (1), lockwashers (2), washers (3), and shield (4) from right sponson. Discard lockwashers.
2. Remove hose assembly (5) from elbow (6) and bulkhead fitting (7).

REPLACE PERSONNEL HEATER FUEL FILTER, HOSE, TUBE, AND FITTINGS (M577A3, M901A3, AND M1068A3 ONLY) — Continued

0700 00

3. Remove tube (hose on M901A3) (8) from elbow (9) and bulkhead fitting (10).
4. Remove two screws (11), lockwashers (12), washers (13), and fuel filter (14) from right sponson. Discard lockwashers.
5. Remove two elbows (6)(9) and packings (15) from fuel filter (14). Discard packings.
6. Remove two plugs (16) and packings (17) from fuel filter (14). Discard packings.



REPLACE PERSONNEL HEATER FUEL FILTER, HOSE, TUBE, AND FITTINGS (M577A3, M901A3, AND M1068A3 ONLY) — Continued

0700 00

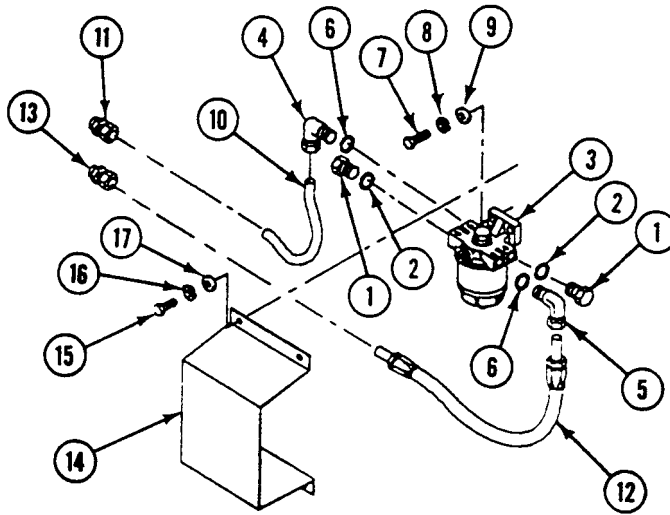
INSTALLATION

1. Apply light coat of sealing compound to all external tapered threads. Do not apply sealant beyond small end of tapered threads.
2. Install two plugs (1) and new packings (2) in ports 1 and 4 of fuel filter (3).

NOTE

Flareless (compression) fittings are used on the fuel lines. When these fittings are first installed, a sleeve is crimped on the tube or hose end. Consequently, when tubes or hoses are replaced, new fitting sleeves are also required.

3. Install two elbows (4)(5) and new packings (6) in ports 2 and 3 of fuel filter (3).
4. Install fuel filter (3) on sponson and secure with two screws (7), new lockwashers (8), and washers (9).
5. Connect tube (hose on M901A3) (10) to elbow (4) and bulkhead fitting (11).
6. Connect hose (12) to elbow (5) and bulkhead fitting (13).
7. Install shield (14) on sponson and secure with four screws (15), new lockwashers (16), and washers (17).

**FOLLOW-THROUGH STEPS**

1. Open heater fuel shutoff valve (see your -10).
2. Connect battery ground strap (WP 0337 00) or (WP 0338 00).
3. Bleed fuel line (WP 0679 00).
4. Start heater (see your -10). Check all fittings for leaks. Turn heater off.
5. Start engine (see your -10).
6. Raise and lock ramp (see your -10).
7. Stop engine (see your -10).

END OF TASK

REPLACE PERSONNEL HEATER CONTROL BOX

0701 00

THIS WORK PACKAGE COVERS:

Removal (page 0701 00-1).
 Installation (page 0701 00-3).

INITIAL SETUP:

Maintenance Level

Unit

Personnel Required

Unit Mechanic

References

See your -10

Tools and Special Tools

General Mechanic's Tool Kit (WP 0926 00, Item 65)

Equipment Condition

Engine stopped (see your -10)

Carrier blocked (see your -10)

Battery ground strap disconnected (WP 0337 00),
 (WP 0338 00), or (WP 0339 00)

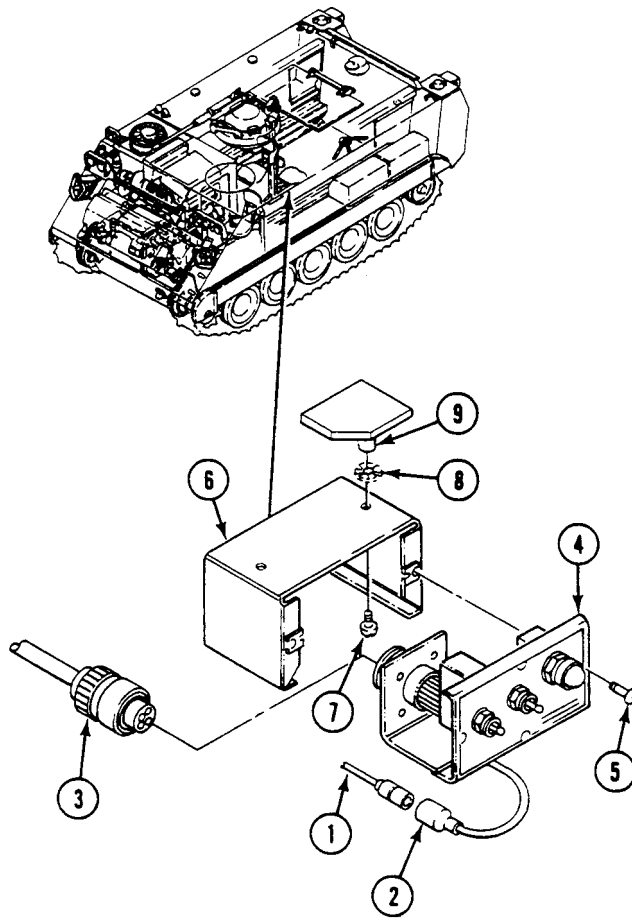
Materials/Parts

Lockwasher (2)

REMOVAL

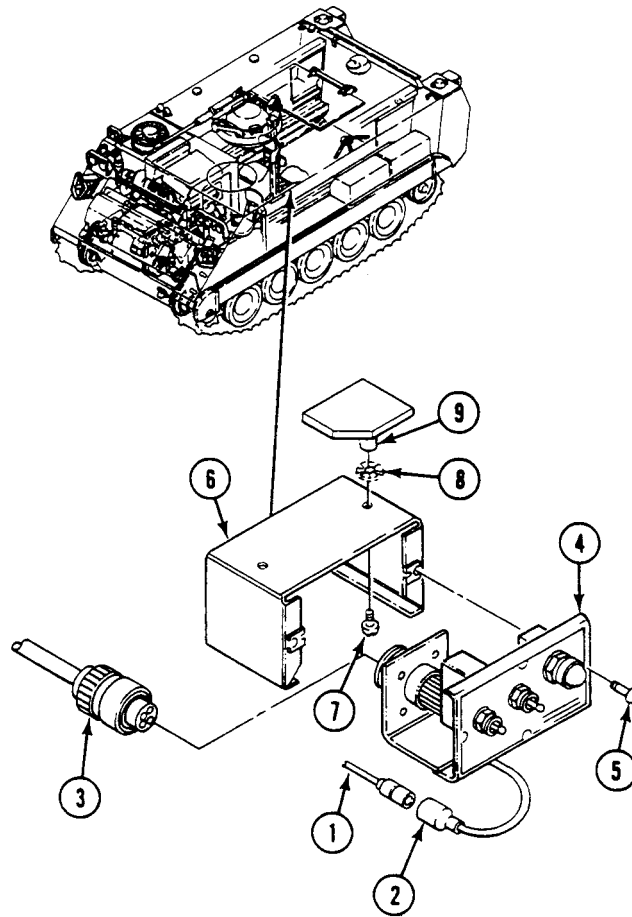
1. Disconnect circuit 400 lead (1) from heater control box lead (2).
2. Disconnect heater wiring harness (3) from heater control box (4).
3. Remove two screws (5) and control box (4) from control box case (6).

4. Remove two screws (7), lockwashers (8), and case (6) from hull weldnuts (9). Discard lockwashers.



INSTALLATION

1. Place control box case (6) on hull weldnuts (9). Secure with two new lockwashers (8) and screws (7).
2. Install heater control box (4) in case (6). Secure with two screws (5).
3. Connect heater wiring harness (3) to control box (4).
4. Connect circuit 400 lead (1) to control box lead (2).

**FOLLOW-THROUGH STEPS**

1. Connect battery ground strap (WP 0337 00), (WP 0338 00), or (WP 0339 00).
2. Start heater (see your -10). Check that control box works right. Turn heater off.

END OF TASK

REPAIR PERSONNEL HEATER CONTROL BOX

0702 00

THIS WORK PACKAGE COVERS:

- Disassembly (page 0702 00-1).
- Repair or replacement (page 0702 00-4).
- Assembly (page 0702 00-5).

INITIAL SETUP:

Maintenance Level

Unit

Personnel Required

Unit Mechanic

Tools and Special Tools

- General Mechanic's Tool Kit (WP 0926 00, Item 65)
- Multimeter (WP 0926 00, Item 30)

References

See your -10

Materials/Parts

- Lockwasher (9)

Equipment Condition

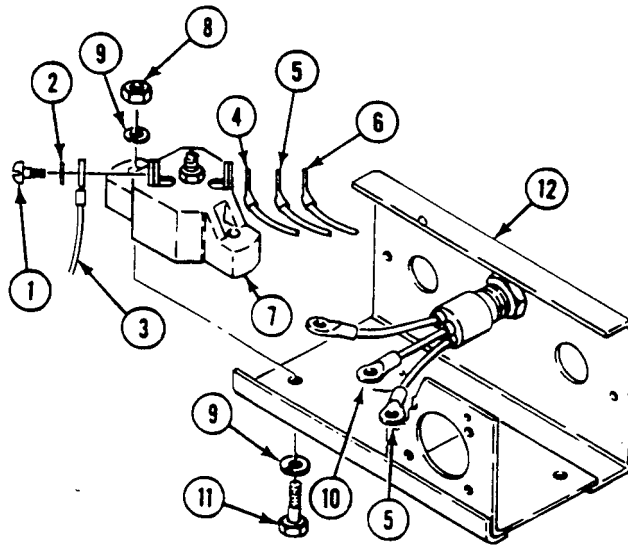
Heater control box removed (WP 0701 00)

DISASSEMBLY

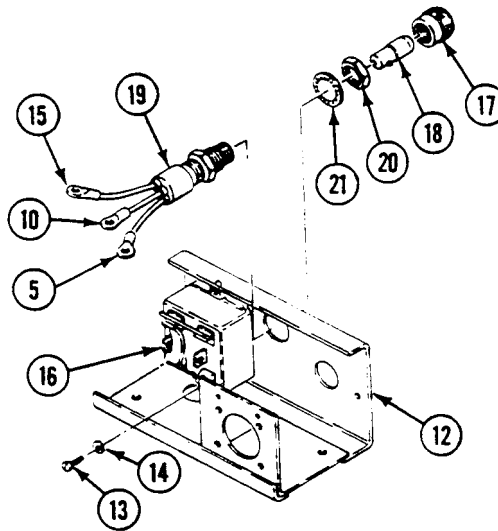
NOTE

Tag all electrical leads before removing.

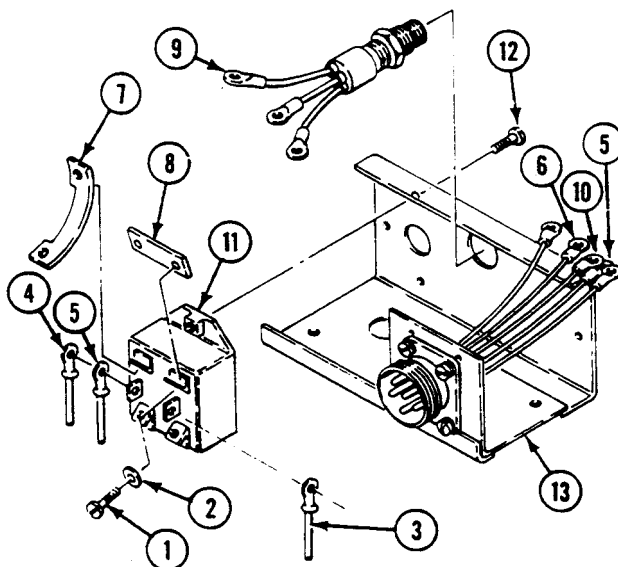
1. Remove circuit breaker (7) from control box (12).
 - a. Remove two screws (1), lockwashers (2), lead 16 (3) from one terminal, and lead 17-D (4), lead 17-3 (5), and jumper 15-17 (6) from other terminal on circuit breaker (7).
 - b. Remove two nuts (8), four lockwashers (9), ground lead (10), two screws (11), and circuit breaker (7) from control box (12). Discard lockwashers.



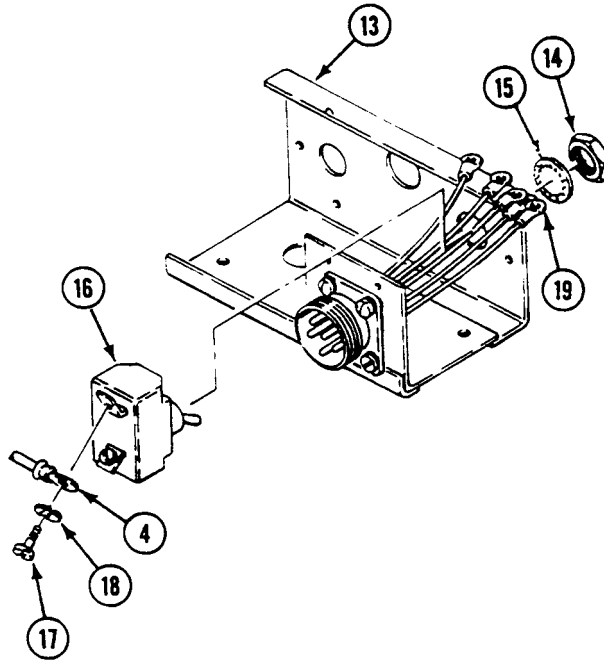
2. Remove indicator light assembly (19) from control box (12).
 - a. Remove nut (8), lockwasher (9), and ground lead (10) from circuit breaker (7) mounting screw (11). Discard lockwasher.
 - b. Remove screw (1), lockwasher (2), and lead 17-3 (5) from circuit breaker (7).
 - c. Remove screw (13), lockwasher (14), and lead 19-2 (15) from RUN-OFF-START switch (16).
 - d. Unscrew cap (17) and remove bulb (18) from light assembly (19).
 - e. Remove nut (20), lockwasher (21), and light assembly (19) from control box (12).



3. Remove RUN-OFF-START switch (11) from control box (13).
 - a. Remove six screws (1), lockwashers (2), jumper 15-17 (3), jumper 13-20 (4), lead 20-C (5), lead 14-A (6), jumper 21-18 (7), jumper 21-14 (8), lead 19-2 (9), and lead 19-E (10) from RUN-OFF-START switch (11).
 - b. Remove two screws (12) and RUN-OFF-START switch (11) from control box (13).



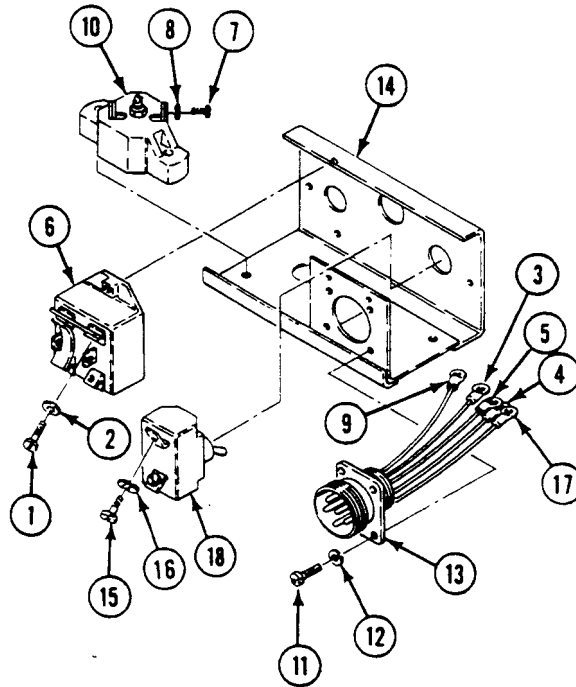
4. Remove HI-LO heat switch (16) from control box (13).
 - a. Remove nut (14), lockwasher (15), instruction plate (if applicable), and HI-LO switch (16) from control box (13). Discard lockwasher.
 - b. Remove two screws (17), lockwashers (18), jumper 13-20 (4), and lead 12-B (19) from HI-LO switch (16).



REPAIR PERSONNEL HEATER CONTROL BOX — Continued

0702 00

5. Remove receptacle (13) from control box. (14).
 - a. Remove three screws (1), lockwashers (2), lead 14-A (3), lead 20-C (4), and lead 19-E (5) from RUN-OFF-START switch (6).
 - b. Remove screw (7), lockwasher (8), and lead 17-D (9) from circuit breaker (10).
 - c. Remove four screws (11), lockwashers (12), and receptacle (13) from control box (14). Discard lockwashers.
 - d. Remove screw (15), lockwasher (16), and lead 12-B (17) from HI-LO switch (18).



REPAIR OR REPLACEMENT

1. Check circuit breaker. See troubleshooting (WP 0086 00). Replace bad circuit breaker.
2. Check indicator light assembly and bulb. See troubleshooting (WP 0086 00). Replace bad light or bulb.
3. Check RUN-OFF-START switch and HI-LO switch. See troubleshooting (WP 0086 00). Replace bad switch.
4. Check receptacle for continuity from pins to lead ends. Replace damaged terminal lugs (WP 0382 00). If pins are damaged, notify supervisor.

ASSEMBLY

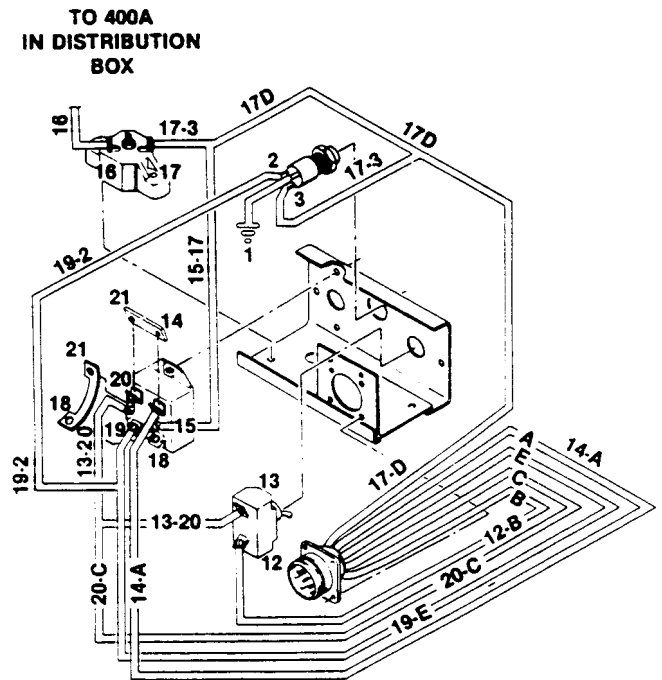
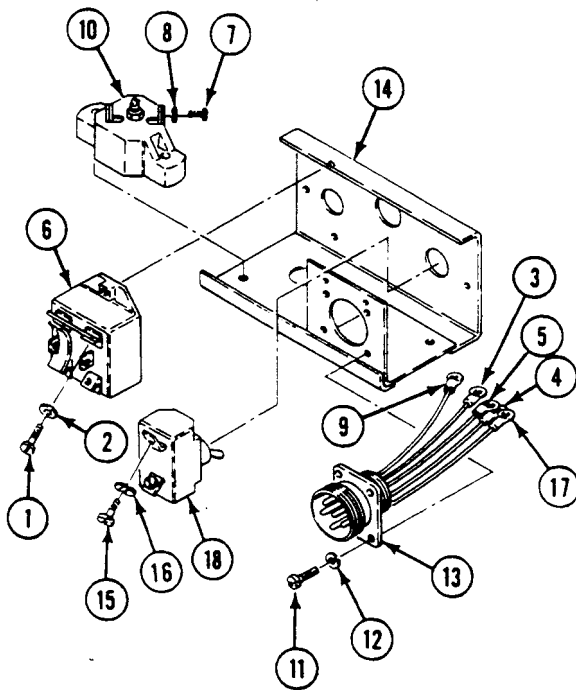
NOTE

Before connecting electrical leads, check tags and wiring diagram below to verify proper connection.

NOTE

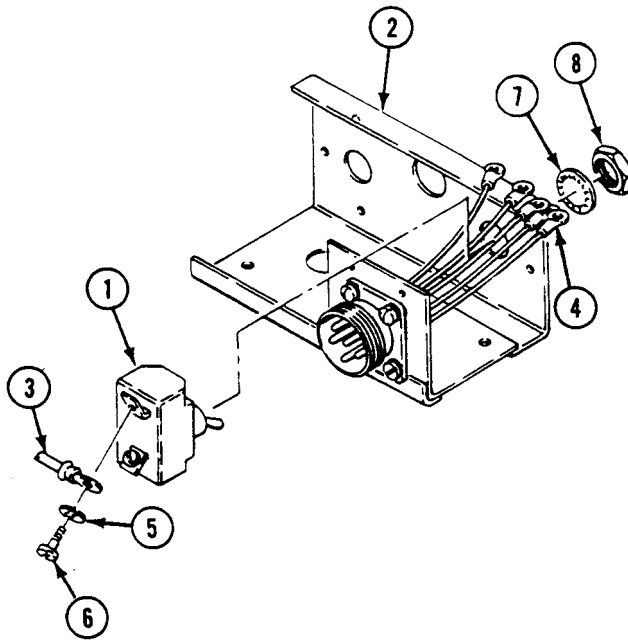
Make sure key in receptacle is at the top.

1. Install receptacle (13) in control box (14).
 - a. Install receptacle (13) in control box (14). Secure with four new lockwashers (12) and screws (11).
 - b. Install lead 17-D (9) on circuit breaker (10). Secure with lockwasher (8) and screw (7).
 - c. Install lead 12-B (17) on HI-LO switch (18). Secure with lockwasher (16) and screw (15).
 - d. Install lead 19-E (5), lead 20-C (4), and lead 14-A (3) on RUN-OFF-START switch (6). Secure with three lockwashers (2) and screws (1).



NOTE**Switch is marked ON and OFF.**

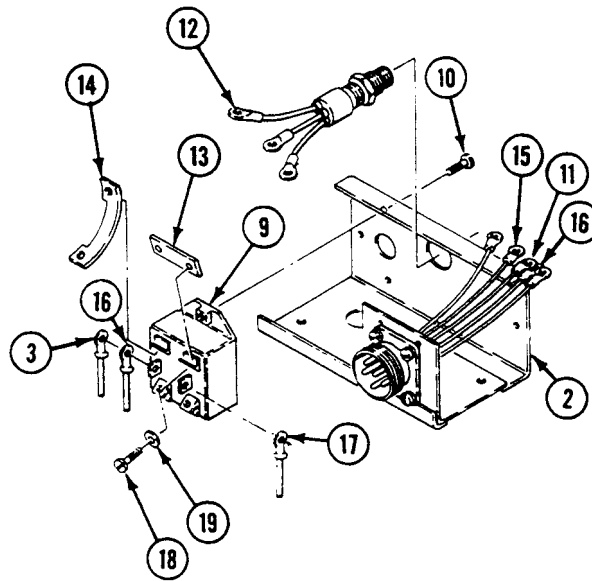
2. Install HI-LO heat switch (1) in control box (2).
 - a. Install switch (1) in control box (2) with ON at the top.
 - b. Install jumper 13-20 (3) and lead 12-B (4) on switch (1). Secure with two lockwashers (5) and screws (6).
 - c. Install instruction plate on switch (if applicable). Secure plate and switch with new lockwasher (7) and nut (8).



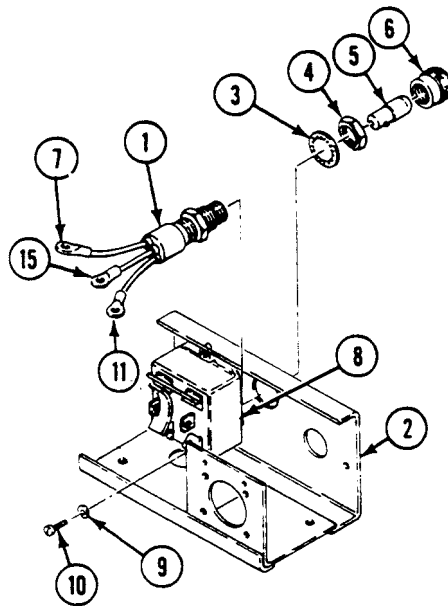
NOTE

Start switch has locked RUN position and spring-loaded START position.

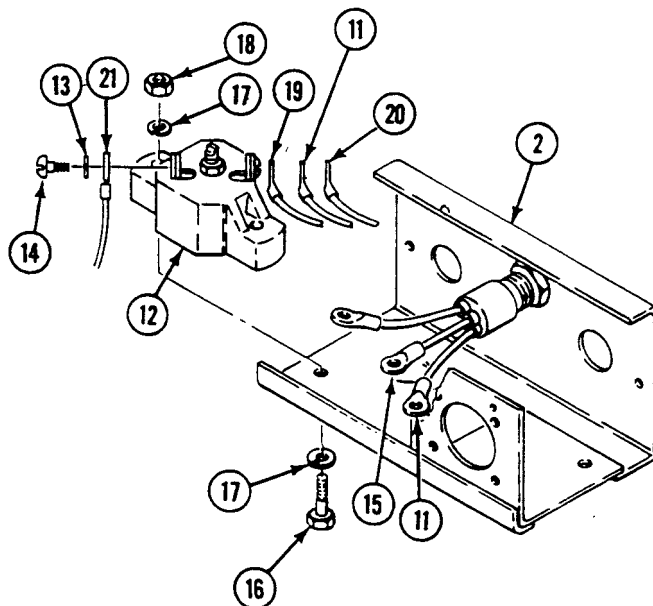
3. Install RUN-OFF-START switch (9) in control box (2).
 - a. Install switch (9) in control box (2) with locked position at the top. Secure with two screws (10).
 - b. Install lead 19-E (11), lead 19-2 (12), jumper 21-14 (13), jumper 21-18 (14), lead 14-A (15), lead 20-C (16), jumper 13-20 (3), and jumper 15-17 (17) on RUN-OFF-START switch (9). Secure with six lockwashers (18) and screws (19).



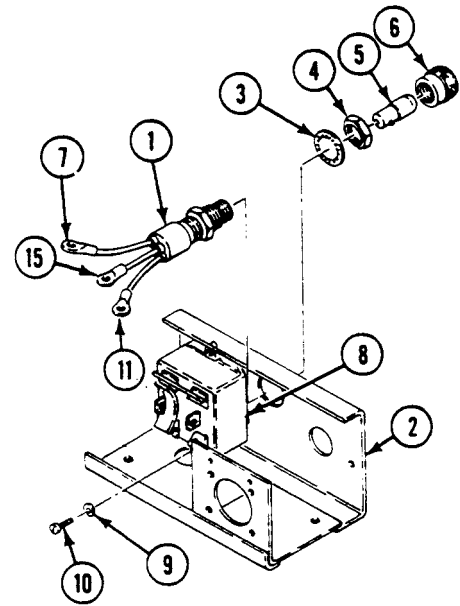
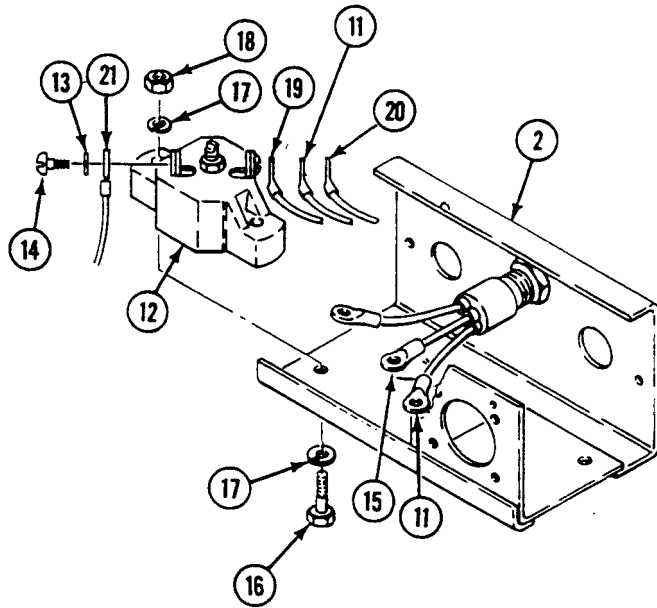
4. Install indicator light assembly (1) in control box (2).
 - a. Install light assembly (1) in control box (2). Secure with lockwasher (3) and nut (4).
 - b. Install bulb (5) and cap (6) in light assembly (1).
 - c. Install lead 19-2 (7) on RUN-OFF-START switch (8). Secure with lockwasher (9) and screw (10).



- d. Install lead 17-3 (11) on circuit breaker (12). Secure with lockwasher (13) and screw (14).
 - e. Install ground lead (15) on circuit breaker (12) mounting screw (16). Secure with new lockwasher (17) and nut (18).



5. Install circuit breaker (12) in control box (2).
 - a. Install circuit breaker (12) in control box (2). Secure with four new lockwashers (17), two screws (16), ground lead (15), and two nuts (18).
 - b. Install lead 17-D (19), lead 17-3 (11), and jumper 15-17 (20) on one terminal, and lead 16 (21) on other terminal of circuit breaker (12). Secure with two lockwashers (13) and screws (14).



FOLLOW-THROUGH STEPS

1. Install heater control box (WP 0701 00).

END OF TASK

REPLACE PERSONNEL HEATER ASSEMBLY (ALL EXCEPT M1064A3)

0703 00

THIS WORK PACKAGE COVERS:

Removal (page 0703 00-2).
 Installation (page 0703 00-5).

INITIAL SETUP:

Maintenance Level

Unit

Tools and Special Tools

General Mechanic's Tool Kit (WP 0926 00, Item 65)

Materials/Parts

Lockwasher (11)

Personnel Required

Unit Mechanic

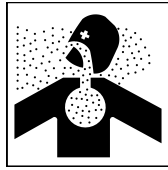
References

See your -10

Equipment Condition

Engine stopped (see your -10)
 Carrier blocked (see your -10)
 Battery ground strap disconnected (WP 0337 00),
 (WP 0338 00), or (WP 0339 00)
 Power plant rear access panel removed (see your -10)
 Heater hose removed from plenum (WP 0706 00)
 Spall liners open (M113A3 only) (see your -10)

REMOVAL

WARNING

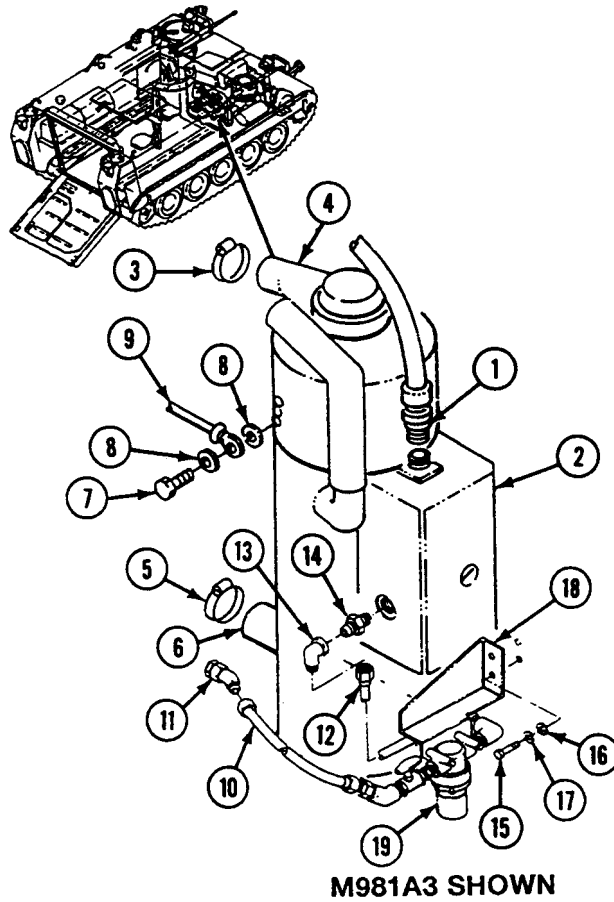
Exhaust fumes can poison you if wrong heater is installed. Do not interchange “common air” heater for a “dual air” heater.

1. Disconnect heater wiring harness (1) from heater (2).
2. Loosen clamp (3) on heater intake pipe (4).
3. Loosen clamp (5) on heater exhaust pipe (6).
4. Remove screw (7), two lockwashers (8), and ground strap (9) from heater (2). Discard lockwashers.
5. Remove heater fuel inlet hose (10) from fitting (11) on bulkhead.
6. Remove inlet hose (12) from elbow (13) on heater (2).
7. Remove elbow (13) from nipple (14). Remove nipple from heater (2).

NOTE

Do Step 8 for M113A3, M981A3, M1059A3, and M58 only.

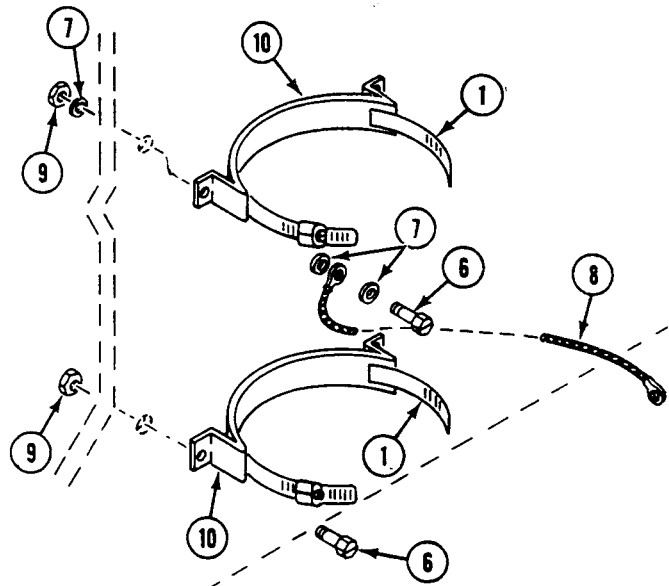
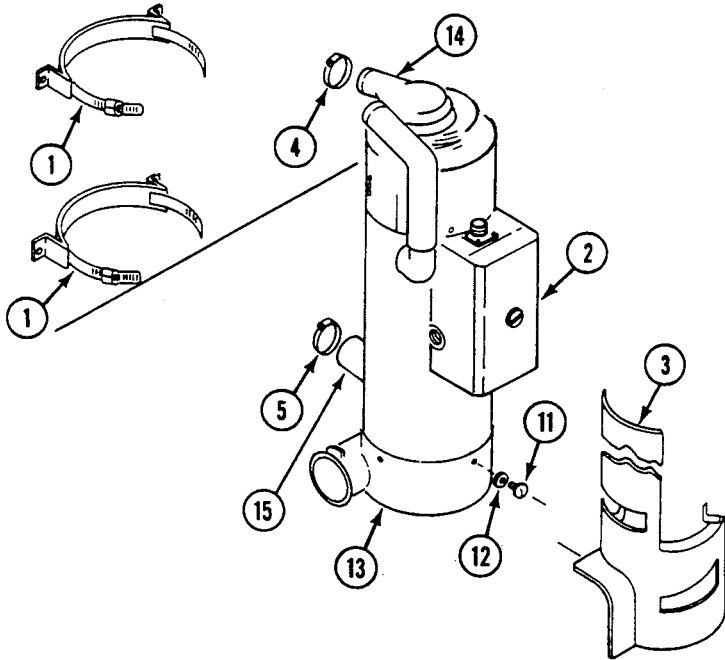
8. Remove two screws (15), washers (16), lockwashers (17), and bracket (18) from bulkhead. Remove bracket, filter (19), and fuel hoses (10), (12) from carrier. Discard lockwashers.



REPLACE PERSONNEL HEATER ASSEMBLY (ALL EXCEPT M1064A3) — Continued

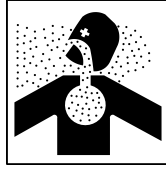
0703 00

9. Loosen two clamps (1). Remove heater (2) and shield (3) from carrier. Remove two clamps (4)(5) from heater.
10. Remove four screws (6), three lockwashers (7), ground strap (8), four nuts (9), and two mounts (10) from power plant bulkhead. Remove two clamps (1) from mounts. Discard lockwashers.
11. Remove four screws (11), lockwashers (12), and plenum (13) from heater (2). Discard lockwashers.



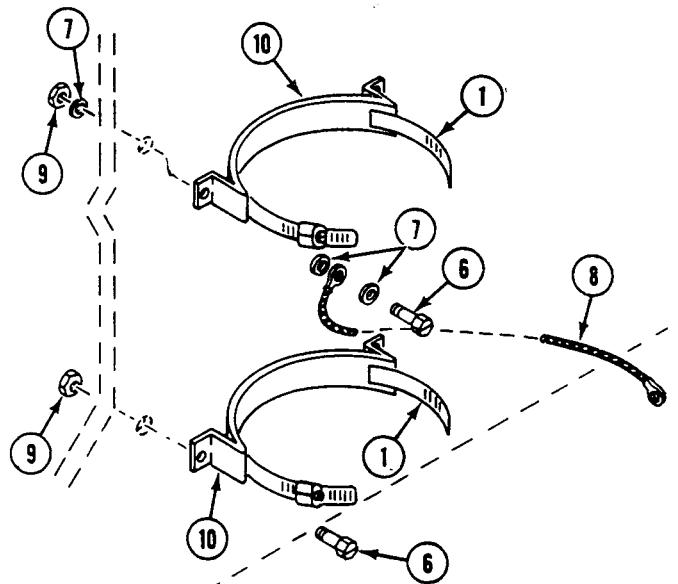
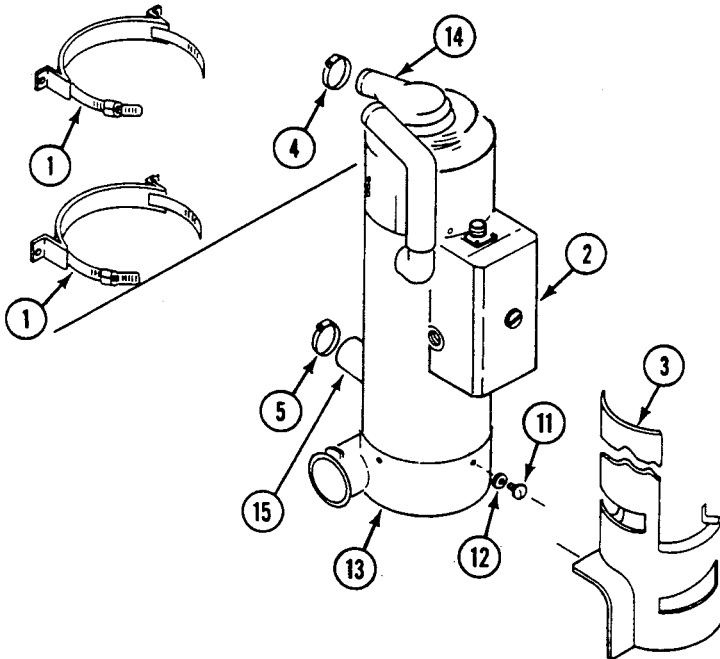
INSTALLATION

WARNING



Exhaust fumes can poison you if wrong heater is installed. Do not interchange “common air” heater for a “dual air” heater.

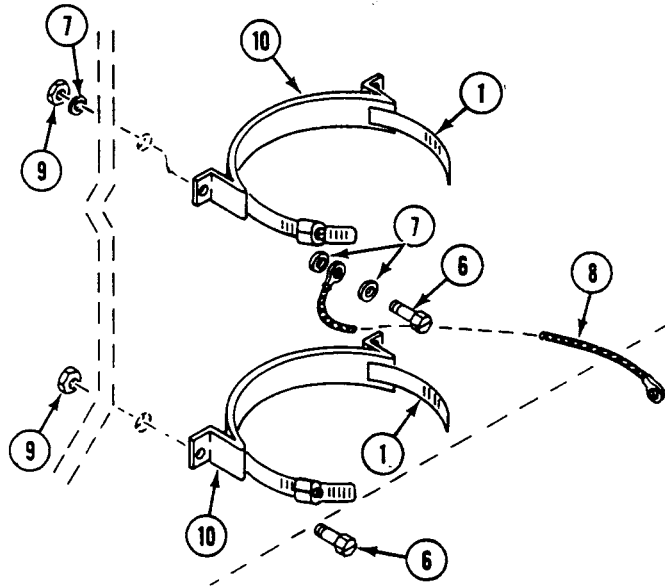
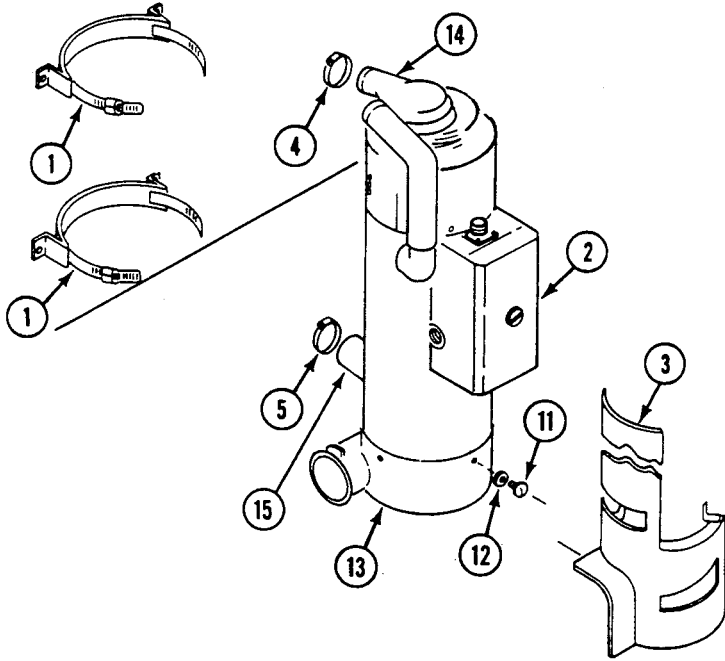
1. Install plenum (13) on heater (2). Secure with four new lockwashers (12) and screws (11).



REPLACE PERSONNEL HEATER ASSEMBLY (ALL EXCEPT M1064A3) — Continued

0703 00

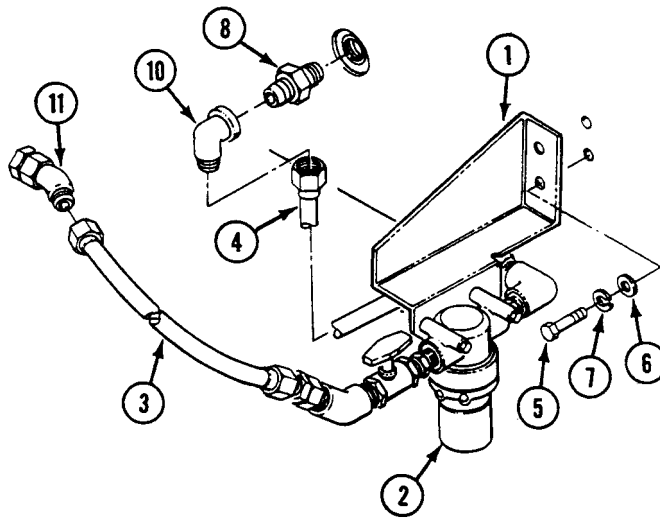
2. Install two clamps (1) in two mounts (10).
3. Install two mounts (10) on power plant bulkhead. Secure with four screws (6), three new lockwashers (7), ground strap (8), and four nuts (9).
4. Slide clamp (4) on heater intake pipe (14) and clamp (5) on heater exhaust pipe (15). Install heater (2) and shield (3) on mounts (10). Secure with two clamps (1).



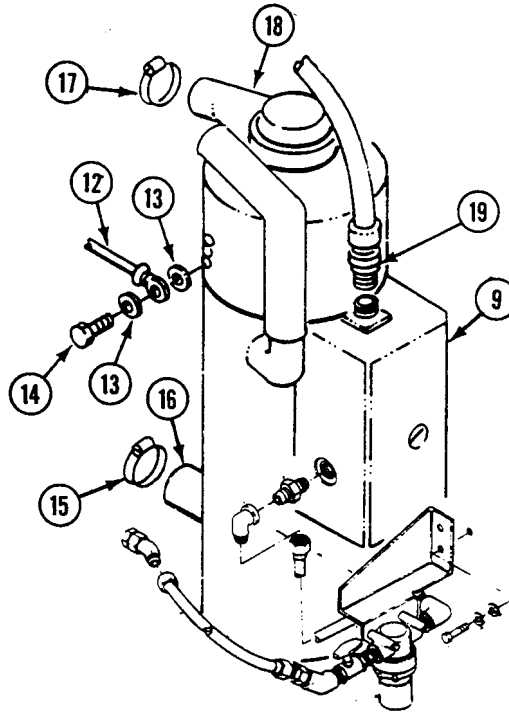
NOTE

Do Step 5 for M113A3, M981A3, M1059A3, and M58 only.

5. Install bracket (1) with filter (2) and fuel hoses (3)(4) on bulkhead. Secure with two screws (5), washers (6), and new lockwashers (7).
6. Install nipple (8) in heater (9).
7. Install elbow (10) on nipple (8).
8. Connect fuel hose (4) from OUT port of filter (2) to elbow (10) on heater (9).
9. Connect fuel hose (3) from IN port of filter (2) to fitting (11) on bulkhead.



10. Install ground strap (12) on heater (9). Secure with two new lockwashers (13) and screw (14).
11. Tighten clamp (15) on heater exhaust pipe (16).
12. Tighten clamp (17) on heater intake pipe (18).
13. Connect heater wiring harness (19) to heater (9).



M981A3 SHOWN

FOLLOW-THROUGH STEPS

1. Install heater hose on plenum (WP 0706 00).
2. Install power plant rear access panel (see your -10).
3. Connect battery ground strap (WP 0337 00),(WP 0338 00), or (WP 0339 00).
4. Start heater (see your -10). Check heater for proper operation. Turn heater off.
5. Secure spill liners (M113A3 only) (see your -10).

END OF TASK

REPLACE PERSONNEL HEATER ASSEMBLY (M1064A3 ONLY)

0704 00

THIS WORK PACKAGE COVERS:

Removal (page 0704 00-1).
 Installation (page 0704 00-3).

INITIAL SETUP:

Maintenance Level

Unit

Personnel Required

Unit Mechanic

Tools and Special Tools

General Mechanic's Tool Kit (WP 0926 00, Item 65)

References

See your -10

Materials/Parts

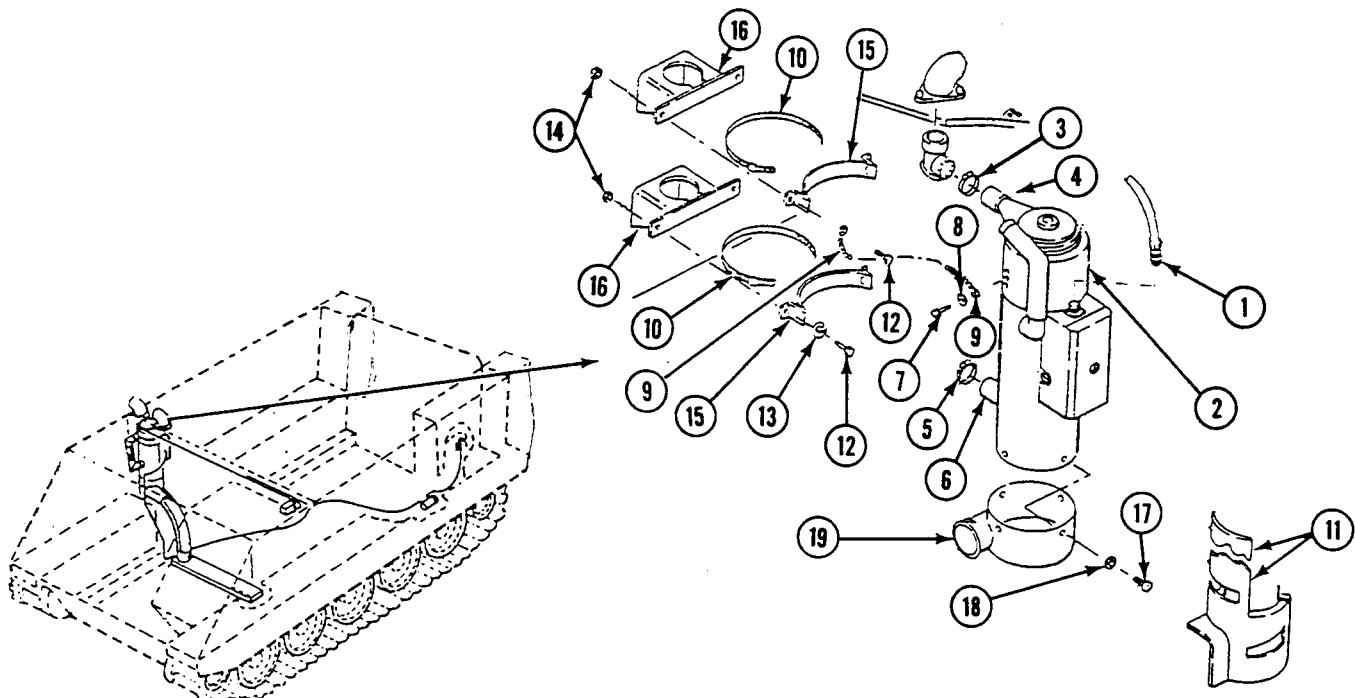
Locknut (4)
 Lockwasher
 Lockwasher (3)
 Lockwasher (4)

Equipment Condition

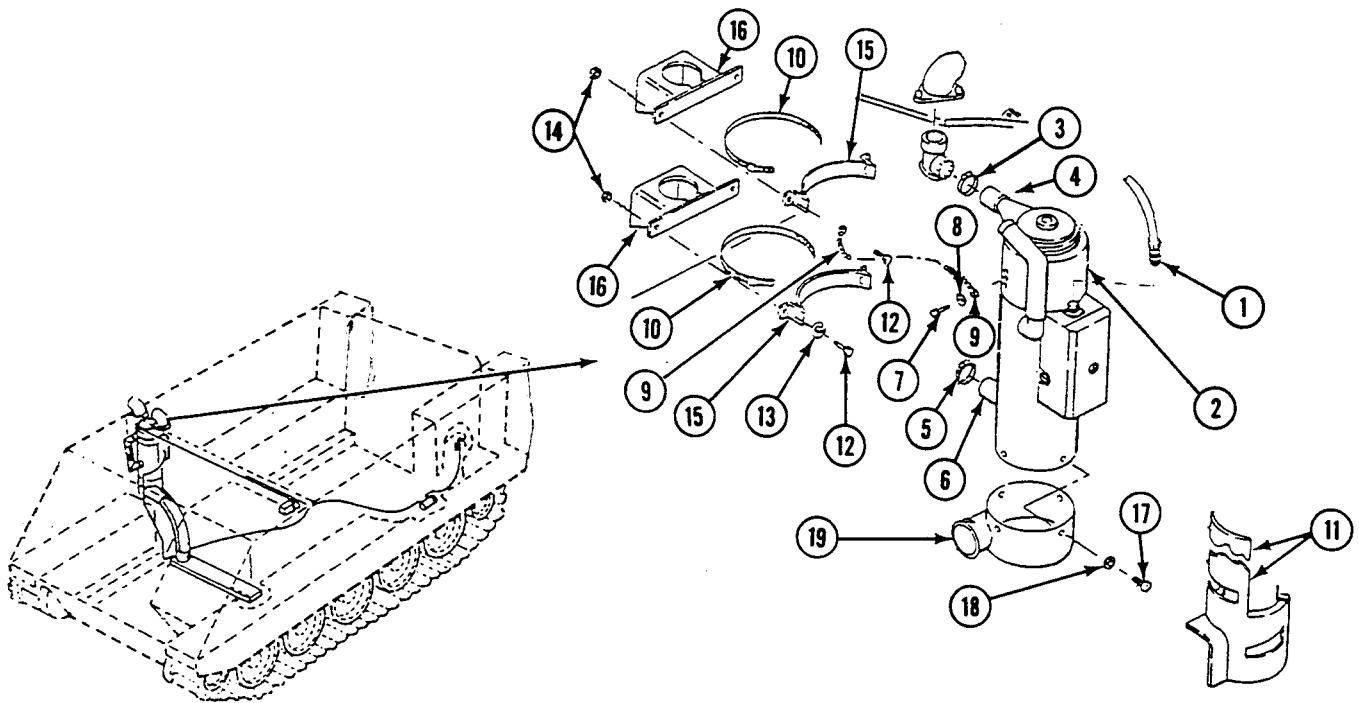
Engine stopped (see your -10)
 Carrier blocked (see your -10)
 Battery ground strap disconnected (WP 0337 00)
 Heater hose removed from duct (WP 0706 00)
 Fuel hose disconnected from heater (WP 0688 00)

REMOVAL

1. Disconnect wiring harness (1) from heater (2).
2. Loosen clamp (3) on heater intake pipe (4).



3. Loosen clamp (5) on heater exhaust pipe (6).
4. Remove screw (7), lockwasher (8), and ground strap (9) from heater (2). Discard lockwasher.
5. Loosen two clamps (10). Remove heater (2) and shield (11) from carrier. Remove clamps (3) and (5) from heater.
6. Remove four screws (12), three lockwashers (13), ground strap (9), four locknuts (14) and mounts (15) from right wall mounts (16). Remove two clamps (10) from mounts (15). Discard lockwashers and locknuts.
7. Remove four screws (17), lockwashers (18), and plenum (19) from heater (2). Discard lockwashers.

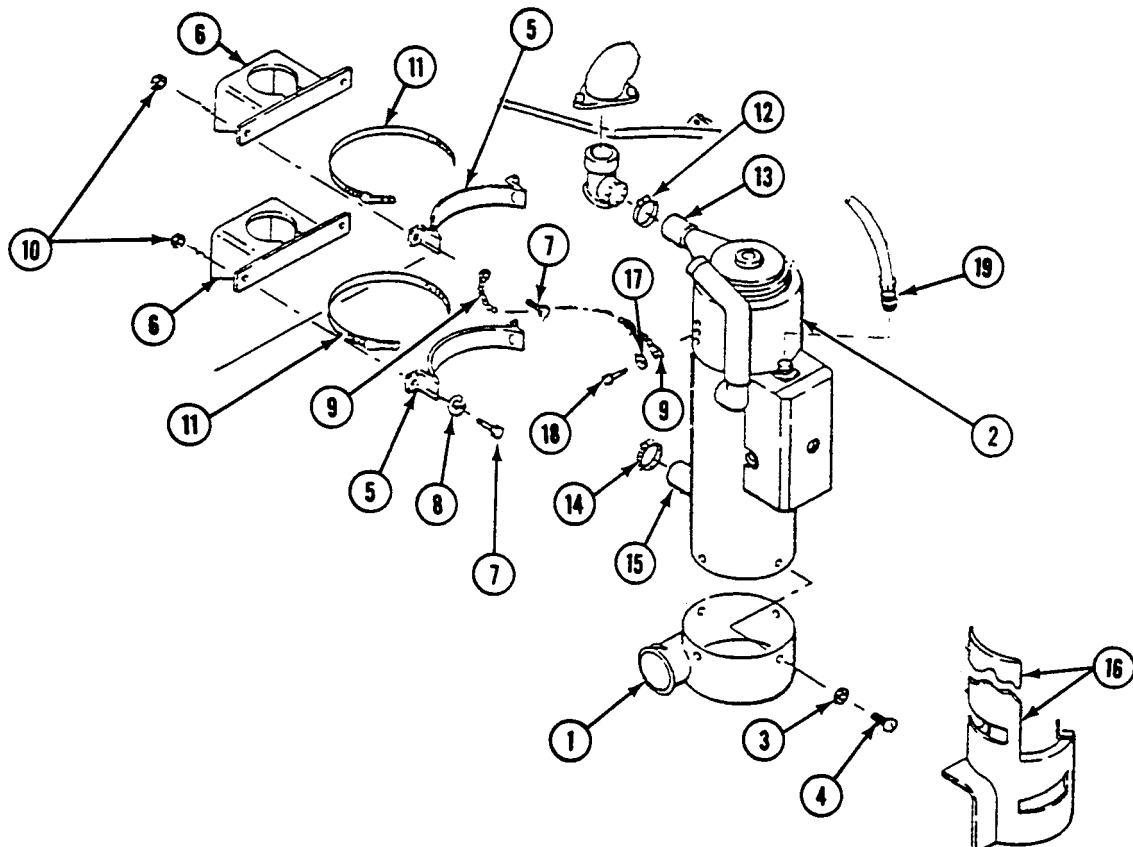


INSTALLATION

WARNING

Exhaust fumes can kill. Fumes must be vented. If the wrong heater is installed, fumes will not be completely vented. Never substitute a “common air” heater for a “dual air” heater.

1. Install plenum (1) on heater (2) with four new lockwashers (3) and screws (4).
2. Install two mounts (5) on right wall mounts (6). Secure with four screws (7), three new lockwashers (8), ground strap (9), and four new locknuts (10).
3. Install two clamps (11) in two mounts (6).
4. Slide clamp (12) on heater intake pipe (13) and clamp (14) on heater exhaust pipe (15). Place heater (2) and shield (16) on mounts (5). Secure with two clamps (11).
5. Place ground strap (9) on heater (2). Secure with two new lockwasher (17) and screw (18).
6. Tighten clamp (14) on heater exhaust pipe (15) and clamp (12) on heater intake pipe (13).
7. Connect heater wiring harness (19) to heater (2).



FOLLOW-THROUGH STEPS

1. Connect fuel hose to heater (WP 0688 00).
2. Install heater hose on duct (WP 0706 00).
3. Connect battery ground strap (WP 0337 00), (WP 0338 00), or (WP 0339 00).
4. Start heater (see your -10). Check heater for proper operation. Turn heater off.

END OF TASK

REPAIR PERSONNEL HEATER ASSEMBLY

0705 00

THIS WORK PACKAGE COVERS:

Repair or replacement (page 0705 00-1).

INITIAL SETUP:

Maintenance Level

Unit

Tools and Special Tools

General Mechanic's Tool Kit (WP 0926 00, Item 65)

Personnel Required

Unit Mechanic

References

See your -10
TM 9-2540-205-24&P
TM 9-2540-207-14&P

Equipment Condition

Personnel heater assembly removed (WP 0703 00) or
(WP 0704 00)

REPAIR OR REPLACEMENT

1. See TM 9-2540-205-24&P or TM 9-2540-207-14&P for personnel heater assembly repair procedures.

FOLLOW-THROUGH STEPS

1. Install personnel heater assembly (WP 0703 00) or (WP 0704 00).

END OF TASK

REPLACE PERSONNEL HEATER DUCT AND HOSES

0706 00**THIS WORK PACKAGE COVERS:**

Removal (page 0706 00-2).
Installation (page 0706 00-3).

INITIAL SETUP:Maintenance Level

Unit

References

See your -10

Tools and Special Tools

General Mechanic's Tool Kit (WP 0926 00, Item 65)

Equipment Condition

Engine stopped (see your -10)

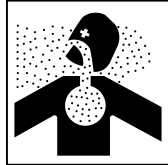
Personnel Required

Unit Mechanic

Carrier blocked (see your -10)

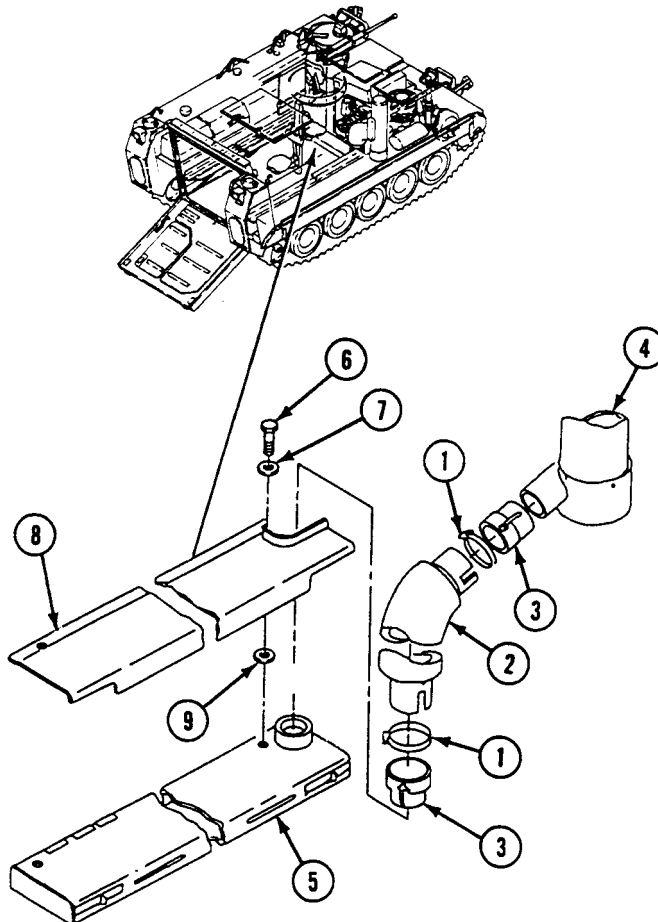
Ramp lowered (see your -10)

REMOVAL

WARNING

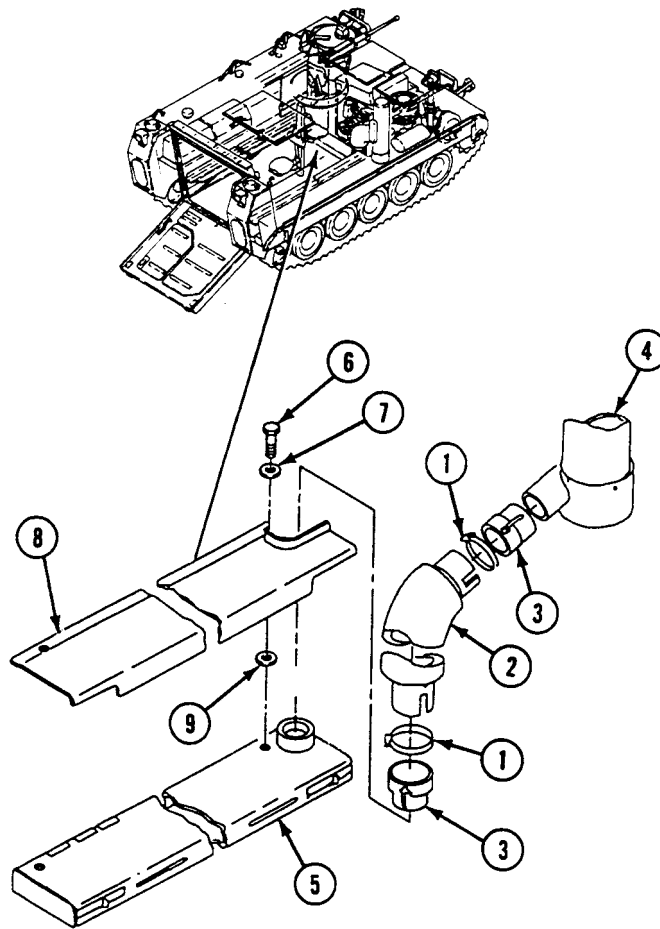
The OBD insulator blanket is made out of asbestos. Handle with care. Discard insulator blanket properly as a hazardous material per local standard operating procedure. The insulator washer takes the place of the blanket.

1. Loosen two clamps (1). Remove hose (2) from two nipples (3). Remove clamps from hose.
2. Loosen latches. Remove nipple (3) from duct (4) and nipple (3) from duct (5).
3. Remove three screws (6), washers (7), shield (8), three insulator washers (9), and duct (5) from carrier.



INSTALLATION

1. Align duct (5), three insulator washers (9), and shield (8) with holes in carrier floor. Secure with three washers (7) and screws (6).
2. Install nipple (3) in duct (5) and nipple (3) in duct (4). Secure with latch on each nipple.
3. Install two clamps (1) on hose (2). Secure hose in two nipples (3) with clamps.

**FOLLOW-THROUGH STEPS**

1. Start engine (see your -10).
2. Raise and lock ramp (see your -10).
3. Stop engine (see your -10).

END OF TASK

REPAIR PERSONNEL HEATER DUCT

0707 00

THIS WORK PACKAGE COVERS:

- Removal (page 0707 00-1).
- Installation (page 0707 00-2).

INITIAL SETUP:

Maintenance Level

Unit

Personnel Required

Unit Mechanic

Tools and Special Tools

General Mechanic's Tool Kit (WP 0926 00, Item 65)

References

See your -10

Materials/Parts

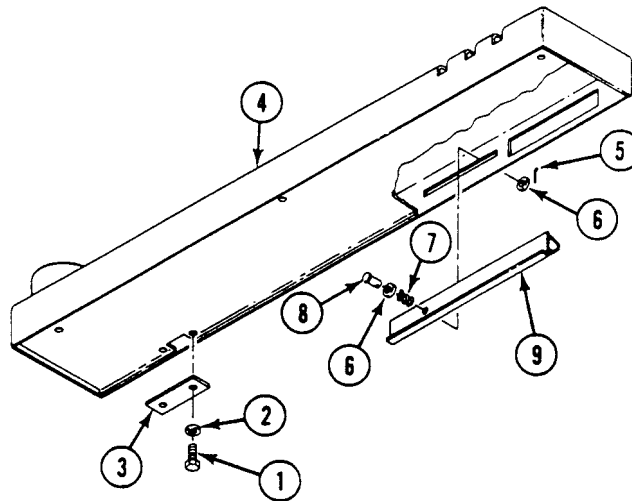
Cotter pin (2)

Equipment Condition

Heater duct removed (WP 0706 00)

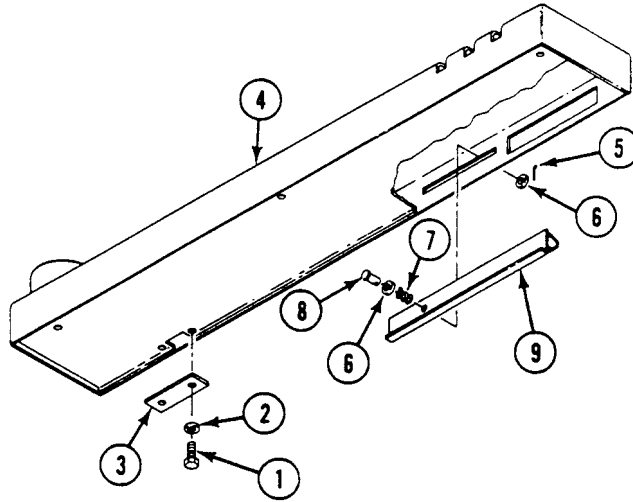
REMOVAL

1. Remove four screws (1), washers (2), and two access covers (3) from bottom of heater duct (4).
2. Remove two cotter pins (5), four washers (6), two springs (7), pins (8), and valves (9) from duct (4) through access openings. Discard cotter pins.



INSTALLATION

1. Install two valves (9) through bottom access openings on heater duct (4). Install two pins (8), four washers (6), and two springs (7) through valves. Secure with two new cotter pins (5).
2. Install two access covers (3) to bottom of heater duct (4). Secure with four washers (2) and screws (1).

**FOLLOW-THROUGH STEPS**

1. Install heater duct (WP 0706 00).

END OF TASK

SERVICE COOLANT HEATER FUEL FILTER

0708 00

THIS WORK PACKAGE COVERS:

- Removal (page 0708 00-1).
- Cleaning (page 0708 00-1).
- Installation (page 0708 00-2).

INITIAL SETUP:

Maintenance Level

Unit

Personnel Required

Unit Mechanic

Tools and Special Tools

General Mechanic's Tool Kit (WP 0926 00, Item 65)

References

See your -10

Materials/Parts

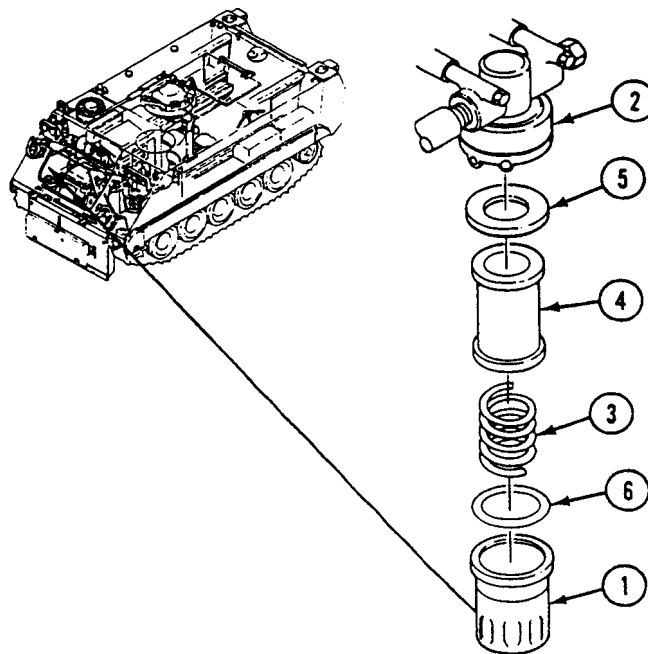
- Cleaning compound (WP 0928 00, Item 19)
- Preformed packing

Equipment Condition

- Engine stopped (see your -10)
- Carrier blocked (see your -10)
- Coolant heater fuel shutoff valve OFF (see your -10)
- Air cleaner removed (WP 0168 00)

REMOVAL

1. Remove filter bowl (1) from filter housing (2).
2. Remove spring (3), filter element (4), and gasket (5).
3. Remove preformed packing (6) from filter bowl (1). Discard packing.

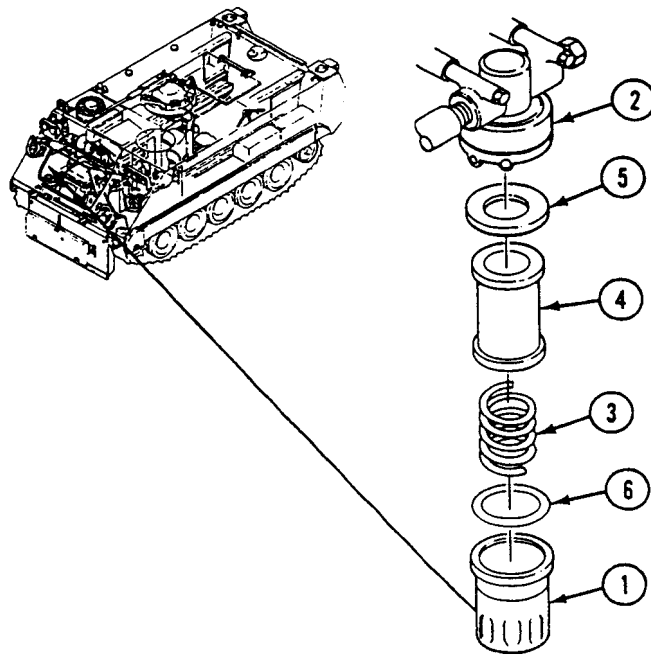


CLEANING

1. Clean filter element with cleaning compound.

INSTALLATION

1. Install new preformed packing (6) on filter bowl (1).
2. Install gasket (5) in filter housing (2).
3. Install spring (3), filter element (4), and filter bowl (1) in filter housing (2).

**FOLLOW-THROUGH STEPS**

1. Install air cleaner (WP 0168 00).
2. Bleed air from fuel lines (WP 0679 00).

END OF TASK

SERVICE COOLANT HEATER FUEL PUMP

0709 00

THIS WORK PACKAGE COVERS:

- Disassembly (page 0709 00-1).
- Cleaning (page 0709 00-2).
- Assembly (page 0709 00-2).

INITIAL SETUP:

Maintenance Level

Unit

Personnel Required

Unit Mechanic

Tools and Special Tools

General Mechanic's Tool Kit (WP 0926 00, Item 65)

References

See your -10

Materials/Parts

Cleaning compound (WP 0928 00, Item 19)
Gasket

Equipment Condition

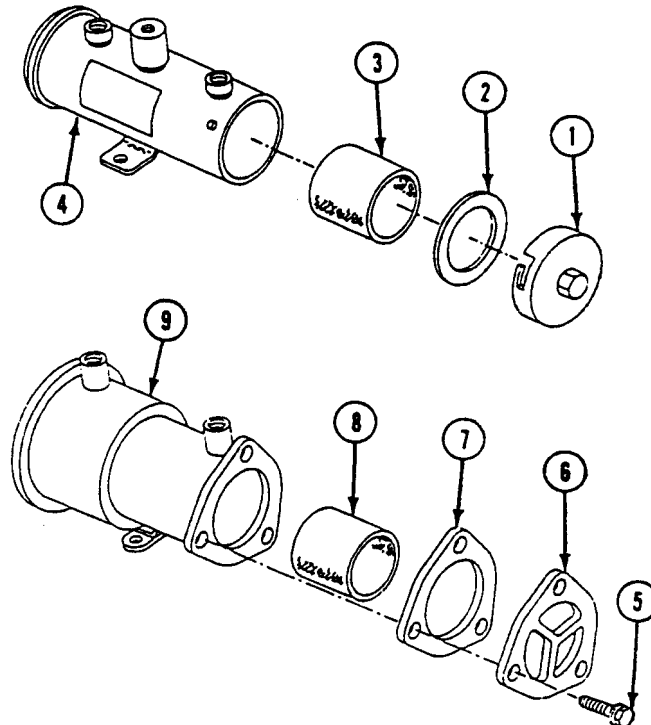
Coolant heater fuel pump removed (WP 0723 00)

DISASSEMBLY

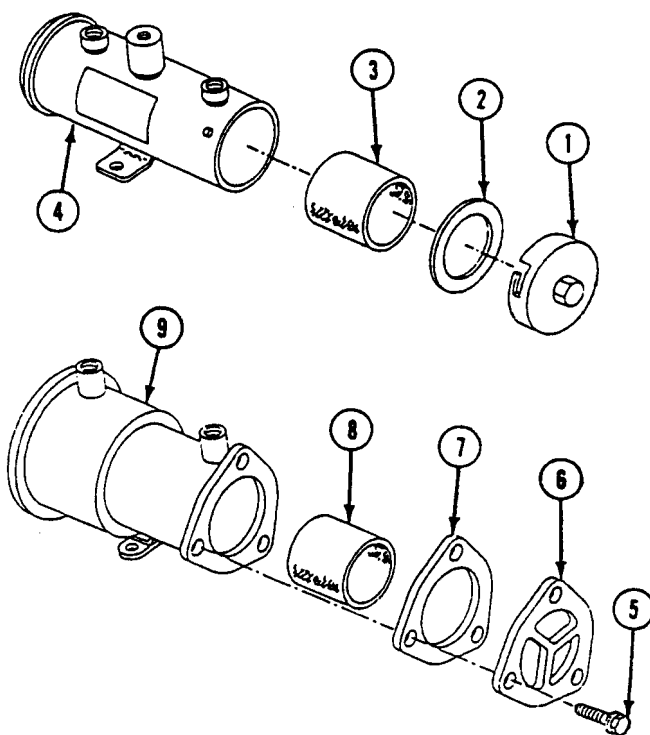
NOTE

There are two types of fuel pump. For BENDIX/FACET type, do Disassembly Step 1, Cleaning Step 1, and Assembly Step 2. For WALBRO type, do Disassembly Step 2, Cleaning Step 1, and Assembly Step 1.

1. Remove cover (1), gasket (2), and strainer element (3) from fuel pump housing (4). Discard gasket.



- Remove three screws (5), cover (6), gasket (7), and filter element (8) from fuel pump housing (9). Discard gasket.



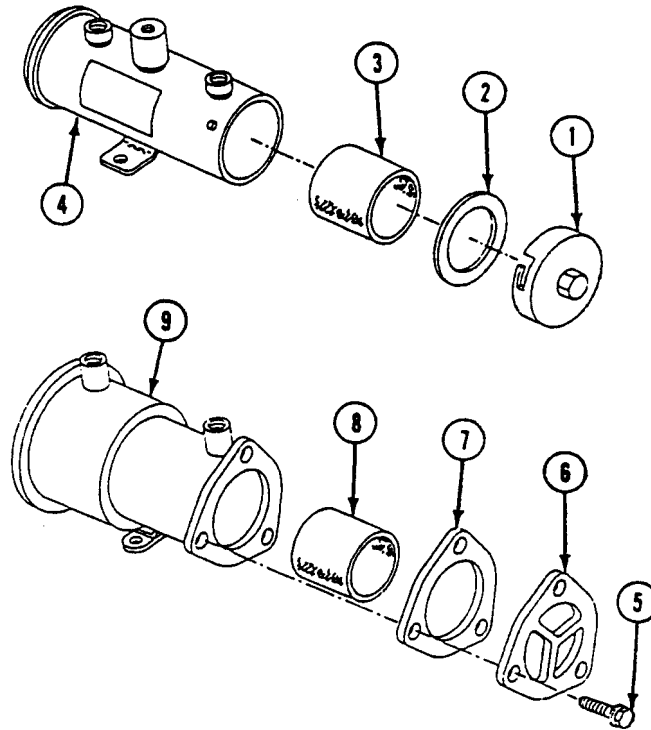
CLEANING

- Clean element with dry cleaning solvent.

ASSEMBLY

- Install clean filter element (8), new gasket (7), and cover (6) on pump housing (9). Secure with three screws (5).

2. Install clean strainer element (3), new gasket (2), and cover (1) on pump housing (4).



FOLLOW-THROUGH STEPS

1. Install heater fuel pump (WP 0723 00).

END OF TASK

DRAIN AND FILL ENGINE COOLANT HEATER SYSTEM

0710 00

THIS WORK PACKAGE COVERS:

Drain (page 0710 00-1).
 Fill (page 0710 00-3).

INITIAL SETUP:

Maintenance Level

Unit

References

See your -10

Tools and Special Tools

General Mechanic's Tool Kit (WP 0926 00, Item 65)

Equipment Condition

Engine stopped (see your -10)
 Ramp lowered (see your -10)
 Carrier blocked (see your -10)
 Trim vane lowered (see your -10)
 Power plant access door open (see your -10)

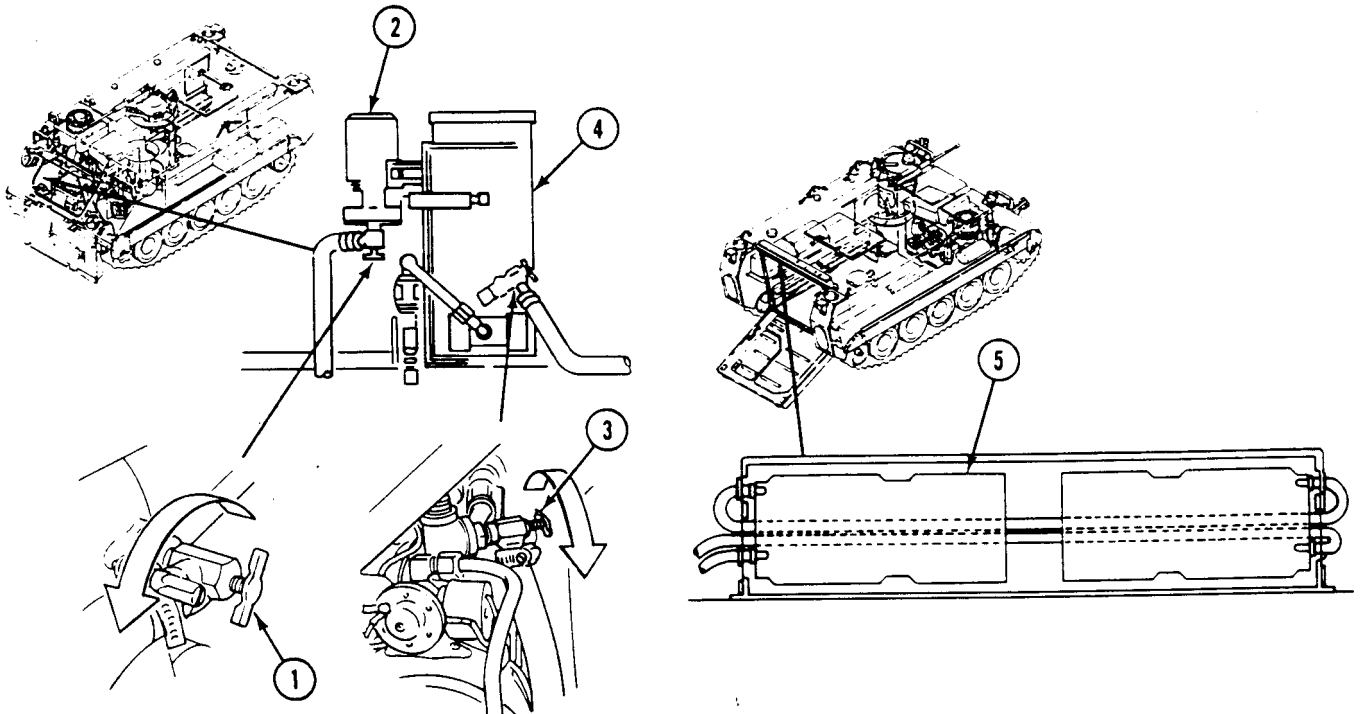
Personnel Required

Unit Mechanic

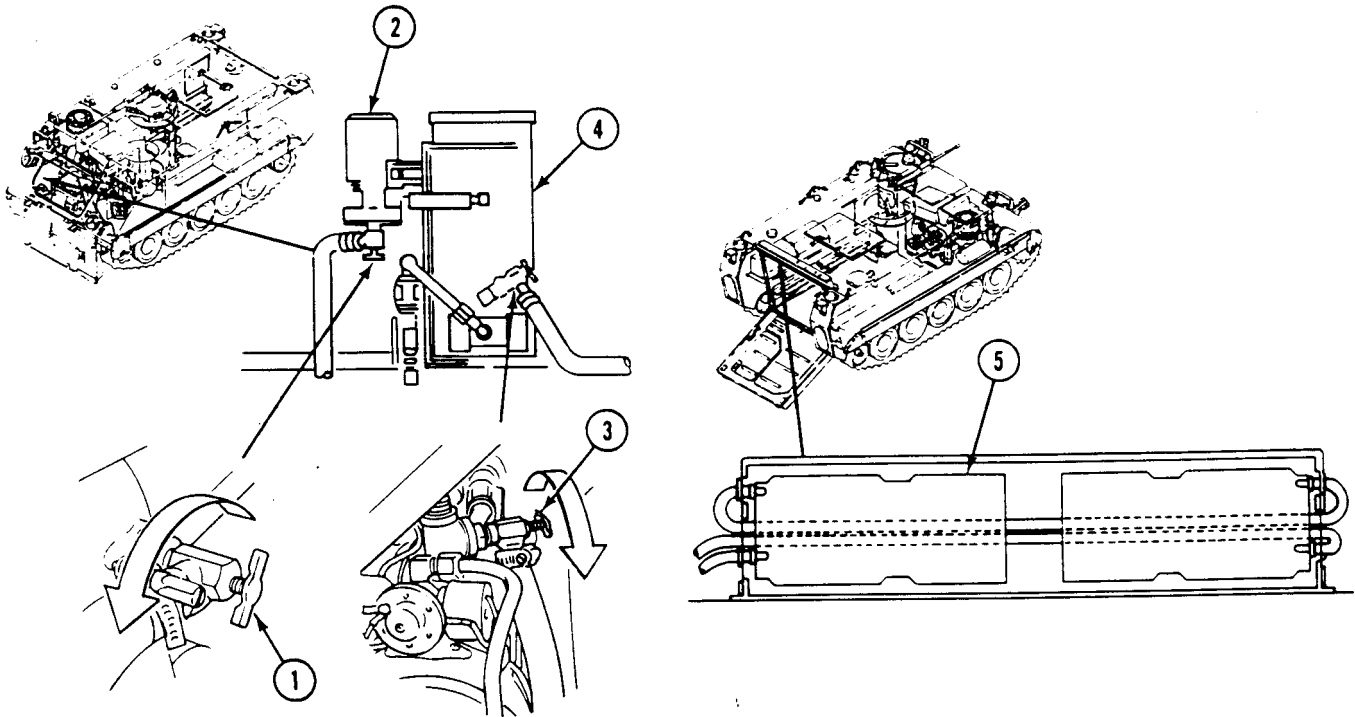
SERVICING

DRAIN

1. Open shutoff valve (1) at coolant pump (2) and valve (3) at heater (4).

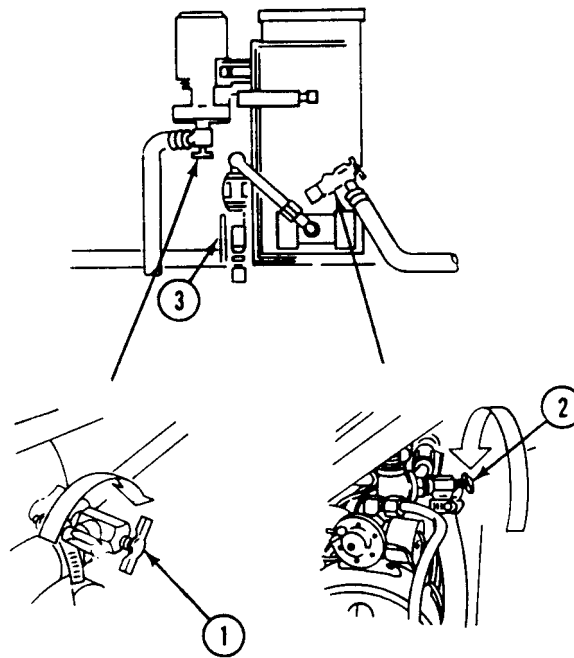


2. Completely drain cooling system (WP 0227 00).
3. Remove batteries and retainers (WP 0337 00).
4. Remove and drain battery box heat exchanger (5) (WP 0718 00) or (WP 0719 00).
5. Install battery box heat exchanger (WP 0718 00) or (WP 0719 00).
6. Install batteries and retainers (WP 0337 00).



FILL

1. Close shutoff valves (1) and (2).
2. Fill cooling system (WP 0227 00).
3. Close heater fuel shutoff valve (3) (see your -10).
4. Start engine (see your -10).
5. Hold RUN-OFF-START switch in START and run engine 2,950 rpm for maximum 30 seconds to prime coolant pump.
6. Stop engine (see your -10). Refill cooling system (WP 0227 00).
7. Open heater fuel shutoff valve (3) (see your -10).

**NOTE**

Hoses to and from battery box heat exchanger will gradually increase in temperature and remain warm if heater coolant system is primed and coolant heater is operating right.

8. Start heater (see your -10). Check for proper operation. If heater overheats and shuts off, repeat steps Step 3, Step 4, and Step 5.

FOLLOW-THROUGH STEPS

1. Close power plant access door (see your -10).
2. Raise trim vane (see your -10).
3. Start engine (see your -10).
4. Raise and lock ramp (see your -10).
5. Stop engine (see your -10).

END OF TASK

REPLACE COOLANT HEATER FUEL PUMP HOSE**0711 00****THIS WORK PACKAGE COVERS:**

Removal (page 0711 00-1).
 Installation (page 0711 00-2).

INITIAL SETUP:Maintenance Level

Unit

References

See your -10

Equipment Condition

Engine stopped (see your -10)
 Carrier blocked (see your -10)
 Ramp lowered (see your -10)
 Personnel heater duct removed (WP 0706 00)
 Floor plates removed (WP 0539 00), (WP 0540 00),
 (WP 0541 00), (WP 0542 00), (WP 0543 00),
 (WP 0544 00), or (WP 0545 00)
 Heater fuel shutoff valve closed (see your -10)

Tools and Special Tools

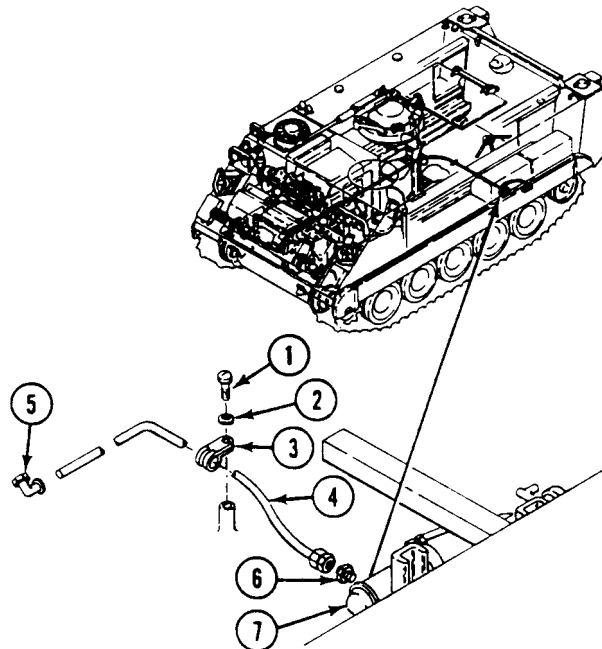
General Mechanic's Tool Kit (WP 0926 00, Item 65)

Personnel Required

Unit Mechanic

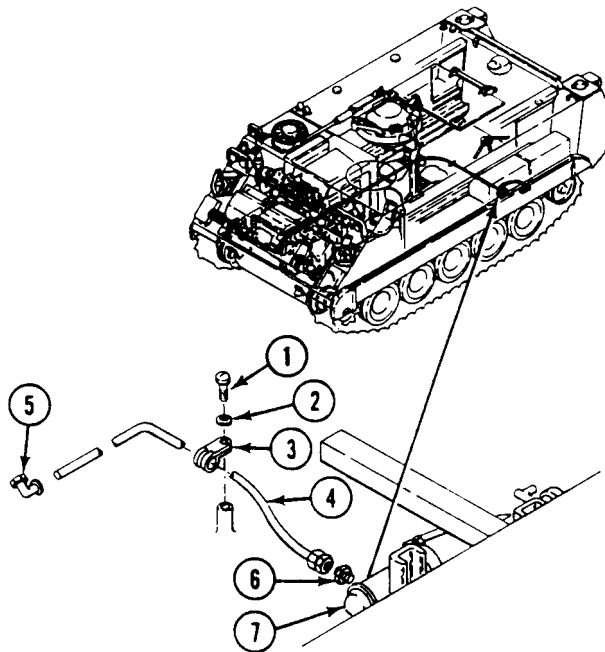
REMOVAL

1. Remove seven screws (1), washers (2), and clamps (3) from hull weldnuts.
2. Disconnect hose (4) from elbow (5) and adapter (6) on fuel pump (7).
3. Remove clamps (3) from hose (4).
4. Route hose (4) through hull openings.
5. Remove adapter (6) from fuel pump (7).



INSTALLATION

1. Install adapter (6) on fuel pump (7).
2. Route hose (4) through hull openings.
3. Install seven clamps (3) on hose (4).
4. Connect hose (4) to adapter (6) on fuel pump (7) and elbow (5).
5. Align clamps (3) with hull weldnuts. Secure with seven screws (1) and washers (2).

**FOLLOW-THROUGH STEPS**

1. Open heater fuel shutoff valve (see your -10).
2. Start coolant heater (see your -10). Check for fuel leaks. Turn heater off.
3. Bleed fuel lines (WP 0679 00).
4. Install floor plates (WP 0539 00), (WP 0540 00), (WP 0541 00), (WP 0542 00), (WP 0543 00), (WP 0544 00), or (WP 0545 00).
5. Install personnel heater duct (WP 0706 00).
6. Start engine (see your -10).
7. Raise and lock ramp (see your -10).
8. Stop engine (see your -10).

END OF TASK

REPLACE COOLANT HEATER FUEL INLET HOSE AND FITTINGS

0712 00

THIS WORK PACKAGE COVERS:

Removal (page 0712 00-1).
 Installation (page 0712 00-3).

INITIAL SETUP:

Maintenance Level

Unit

References

See your -10

Tools and Special Tools

General Mechanic's Tool Kit (WP 0926 00, Item 65)

Equipment Condition

Engine stopped (see your -10)
 Carrier blocked (see your -10)
 Ramp lowered (see your -10)
 Trim vane lowered (see your -10)
 Power plant front access door open (see your -10)
 Heater fuel shutoff valve closed (see your -10)
 Air cleaner removed (WP 0168 00)

Materials/Parts

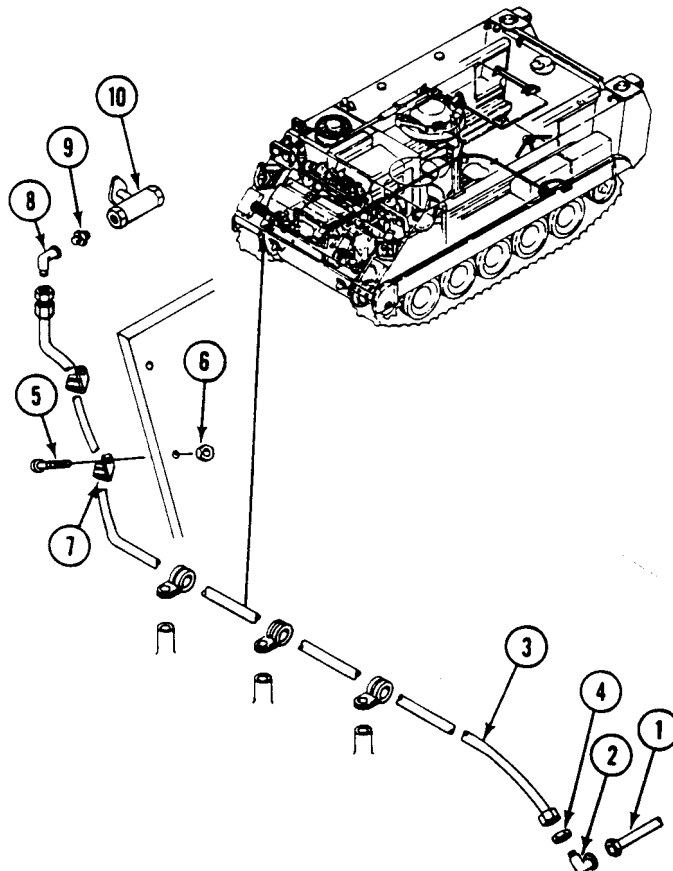
Sealing compound (WP 0928 00, Item 56)
 Locknuts (2)

Personnel Required

Unit Mechanic

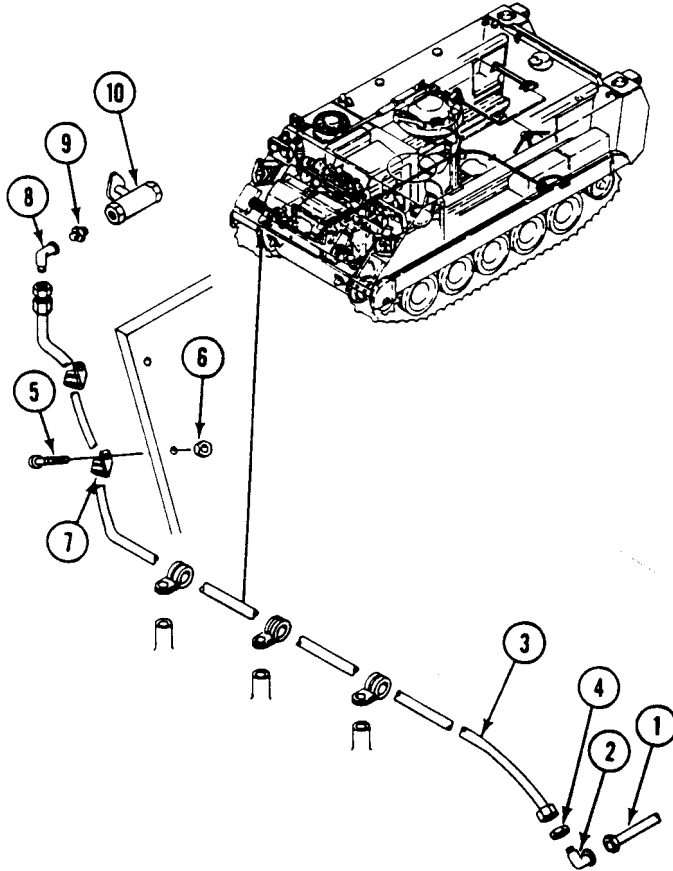
REMOVAL

1. Remove fuel supply hose (1) from elbow (2).



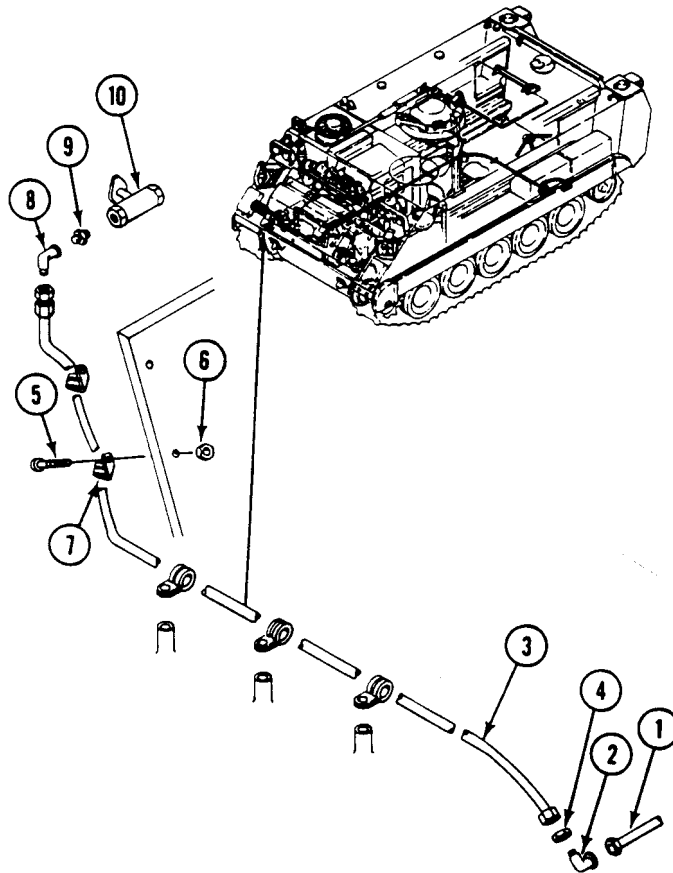
REPLACE COOLANT HEATER FUEL INLET HOSE AND FITTINGS — Continued**0712 00**

2. Remove fuel inlet hose (3) from elbow (2). Remove jamnut (4) and elbow (2) from bulkhead.
3. Remove five screws (5), two locknuts (6), and clamps (7) from hose (3). Discard locknuts.
4. Remove inlet hose (3) from elbow (8).
5. Remove elbow (8) from nipple (9).
6. Remove nipple (9) from shutoff valve (10).



INSTALLATION

1. Apply light coat of sealing compound to tapered threads of elbows (2) and (8) nipple (9).
2. Install nipple (9) in shutoff valve (10).
3. Install elbow (8) on nipple (9).
4. Install inlet hose (3) on elbow (8).
5. Install five clamps (7) on hose (3).
6. Install elbow (2) and jamnut (4) in bulkhead. Install hose (3) on elbow (2).
7. Align five clamps (7) on hull weldnuts. Secure with five screws (5) and two nuts (6).
8. Install supply hose (1) on elbow (2).



FOLLOW-THROUGH STEPS

1. Open heater fuel shutoff valve (see your -10).
2. Start coolant heater (see your -10). Check for fuel leaks. Turn heater off.
3. Bleed fuel lines (WP 0679 00).
4. Install air cleaner (WP 0168 00).
5. Close power plant front access door (see your -10).
6. Raise trim vane (see your -10).
7. Start engine (see your -10).
8. Raise and lock ramp (see your -10).
9. Stop engine (see your -10).

END OF TASK

REPLACE COOLANT PUMP TO BATTERY BOX HOSES

0713 00

THIS WORK PACKAGE COVERS:

Removal (page 0713 00-1).
 Installation (page 0713 00-3).

INITIAL SETUP:

Maintenance Level

Unit

Tools and Special Tools

General Mechanic's Tool Kit (WP 0926 00, Item 65)

Materials/Parts

Grommet
 Strap (2)

Personnel Required

Unit Mechanic

References

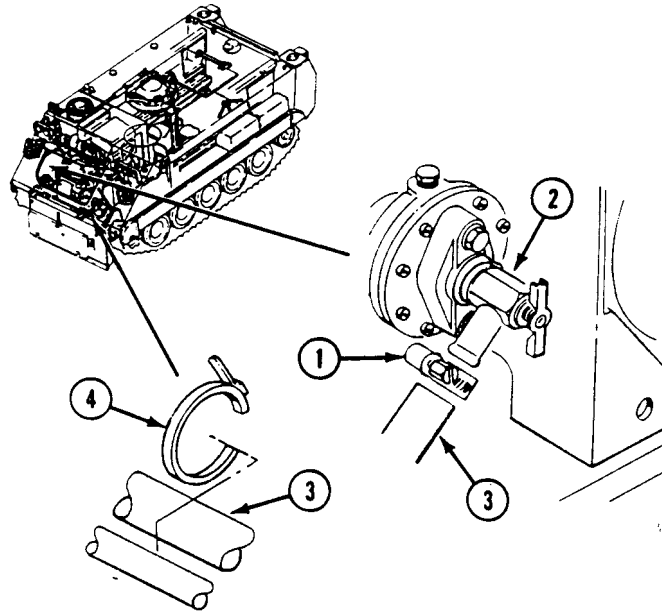
See your -10

Equipment Condition

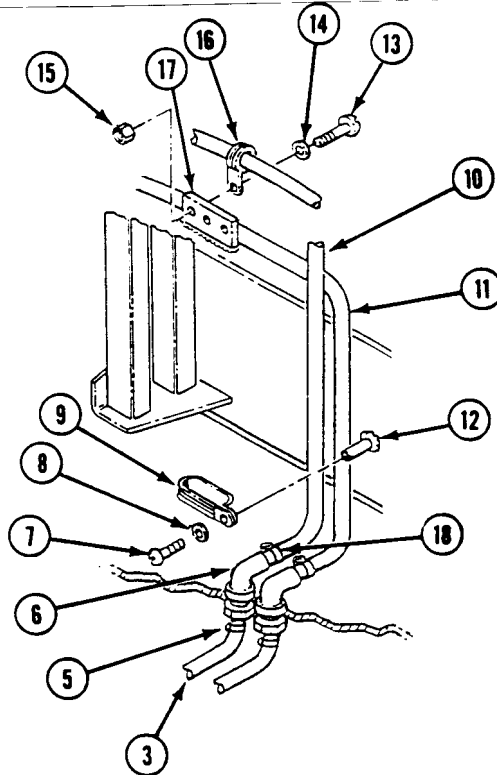
Engine stopped (see your -10)
 Carrier blocked (see your -10)
 Ramp lowered (see your -10)
 Driver's compartment floor plates removed
 (WP 0453 00)
 Power plant rear access panel removed (see your -10)
 Trim vane lowered (see your -10)
 Power plant access door open (see your -10)
 Coolant heater system drained (WP 0710 00)
 Batteries and retainers removed (WP 0346 00),
 (WP 0347 00), (WP 0349 00)
 Air cleaner removed (WP 0168 00)

REMOVAL

1. Loosen clamp (1) at coolant pump shut off valve (2). Remove hose (3) from shut off valve.
2. Remove two straps (4) from hose (3). Discard straps.



3. Loosen clamp (5) at elbow (6). Remove hose (3) from elbow. Remove hose from vehicle.
4. Remove screw (7), washer (8), and clamp (9) with hose (10) and hose (11) from standoff (12). Remove clamp (9) from hoses.
5. Remove screw (13), washer (14), nut (15), and clamp (16) from seat bracket (17). Remove clamp (16) from hose (10).
6. Loosen clamp (18) at elbow (6). Remove hose (10) from elbow.



7. Loosen clamp (1) and remove hose (2) from battery heater plate elbow (3).
8. Remove hose (2) and grommet (4) from battery box. Discard grommet.

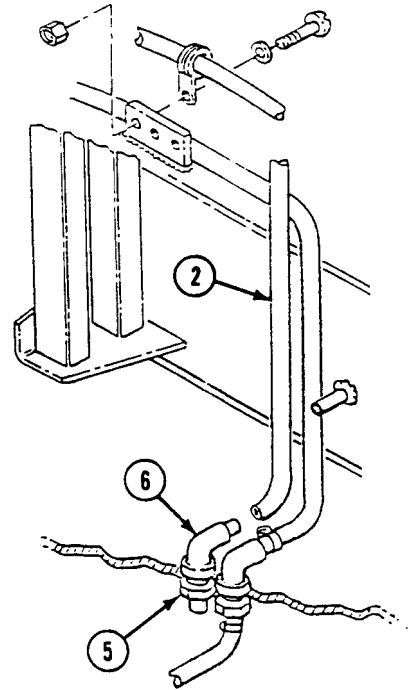
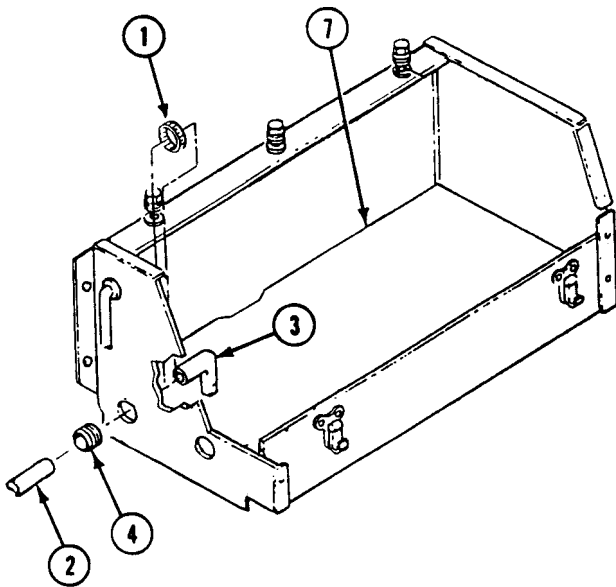
NOTE

Remove elbows and nuts if damaged or leaking.

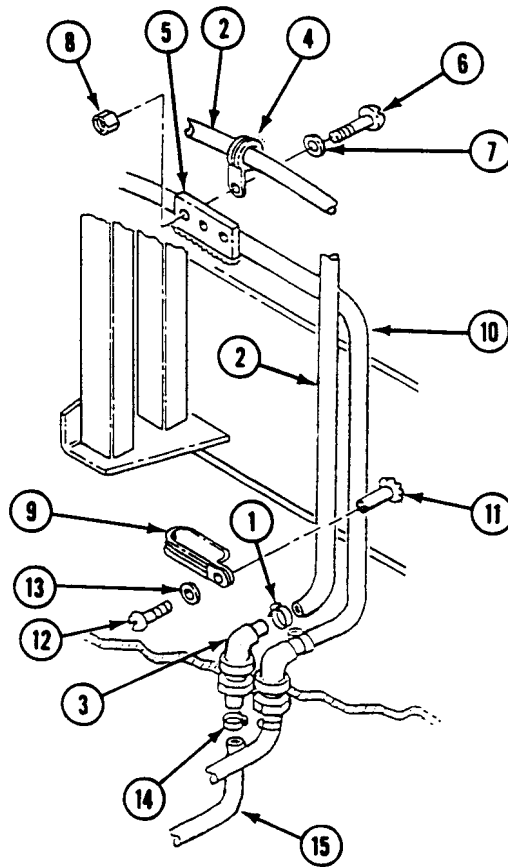
9. Remove locknut (5) and elbow (6) from floor plate. Discard locknut.

INSTALLATION

1. If required, install elbow (6) in floor plate with locknut (5).
2. Install new grommet (4) in battery box.
3. Connect hose (2) to battery heater plate elbow (3) and secure with clamp (1).
4. Route hose (2) from battery box heater plate (7) under battery boxes along sponson to elbow (6) on floor plate.



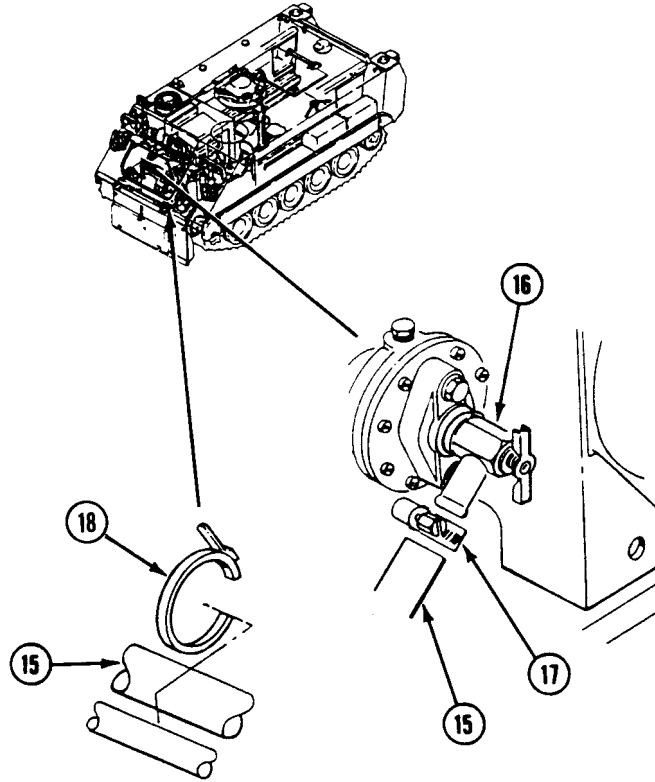
5. Install clamp (1) on hose (2). Connect hose (2) to elbow (3). Tighten clamp.
6. Install clamp (4) on hose (2) and secure to seat bracket (5) with screw (6), washer (7), and nut (8).
7. Install clamp (9), hose (2), and hose (10) on standoff (11) with screw (12) and washer (13).
8. Install clamp (14) on hose (15). Connect hose (15) on elbow (3). Tighten clamp.



REPLACE COOLANT PUMP TO BATTERY BOX HOSES — Continued

0713 00

9. Connect hose (15) to coolant pump shutoff valve (16) and secure with clamp (17).
10. Install two new straps (18) on hose (15).



FOLLOW-THROUGH STEPS

1. Install air cleaner (WP 0168 00).
2. Fill coolant heater system (WP 0710 00).
3. Install batteries and retainers (WP 0346 00), (WP 0347 00), (WP 0349 00).
4. Start coolant heater (see your -10). Check for leaks. Turn heater off.
5. Install driver's compartment floor plates (WP 0453 00).
6. Install power plant rear access panel (see your -10).
7. Close power plant access door (see your -10).
8. Raise trim vane (see your -10).
9. Start engine (see your -10).
10. Raise and lock ramp (see your -10).
11. Stop engine (see your -10).

END OF TASK

REPLACE ENGINE TO BATTERY BOX HOSE

0714 00

THIS WORK PACKAGE COVERS:

- Removal (page 0714 00-1).
- Installation (page 0714 00-4).

INITIAL SETUP:

Maintenance Level

Unit

Tools and Special Tools

General Mechanic's Tool Kit (WP 0926 00, Item 65)

Materials/Parts

Grommet

Personnel Required

Unit Mechanic

References

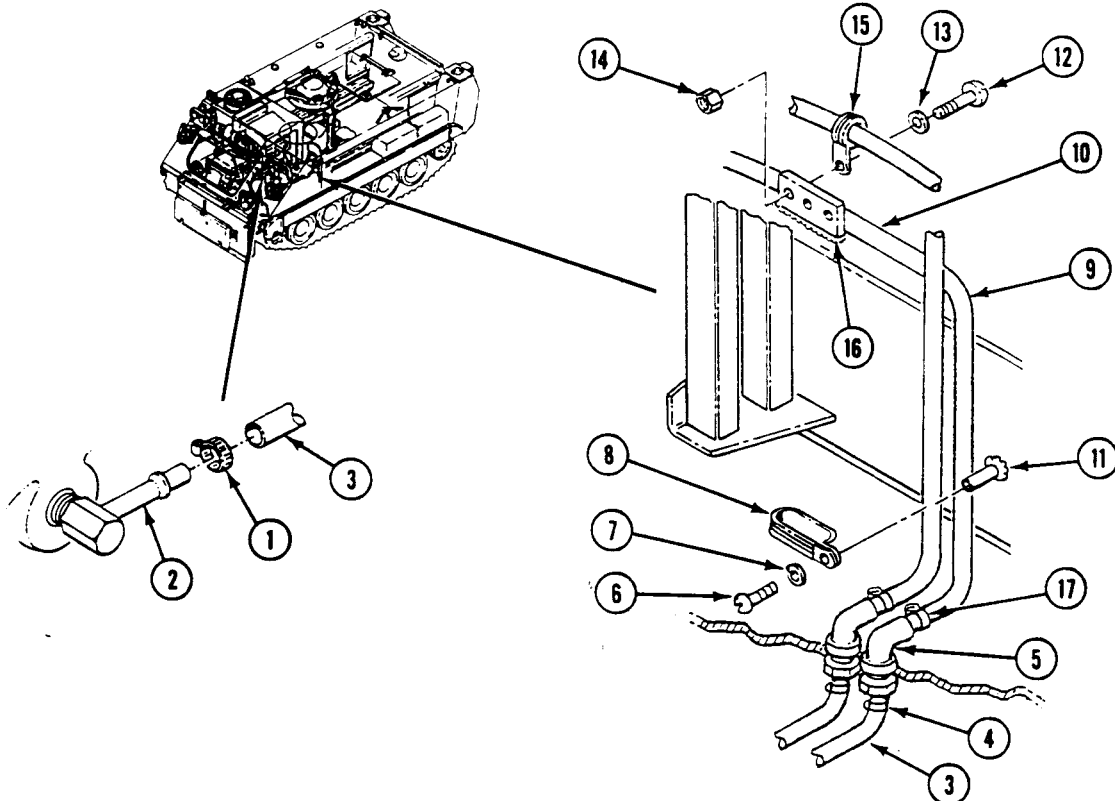
See your -10

Equipment Condition

- Engine stopped (see your -10)
- Carrier blocked (see your -10)
- Ramp lowered (see your -10)
- Driver's compartment floor plates removed (WP 0453 00)
- Power plant rear access panel removed (see your -10)
- Trim vane lowered (see your -10)
- Power plant access door open (see your -10)
- Coolant heater system drained (WP 0710 00)
- Batteries and retainers removed (WP 0346 00), (WP 0347 00), (WP 0349 00)
- Air cleaner removed (WP 0168 00)

REMOVAL

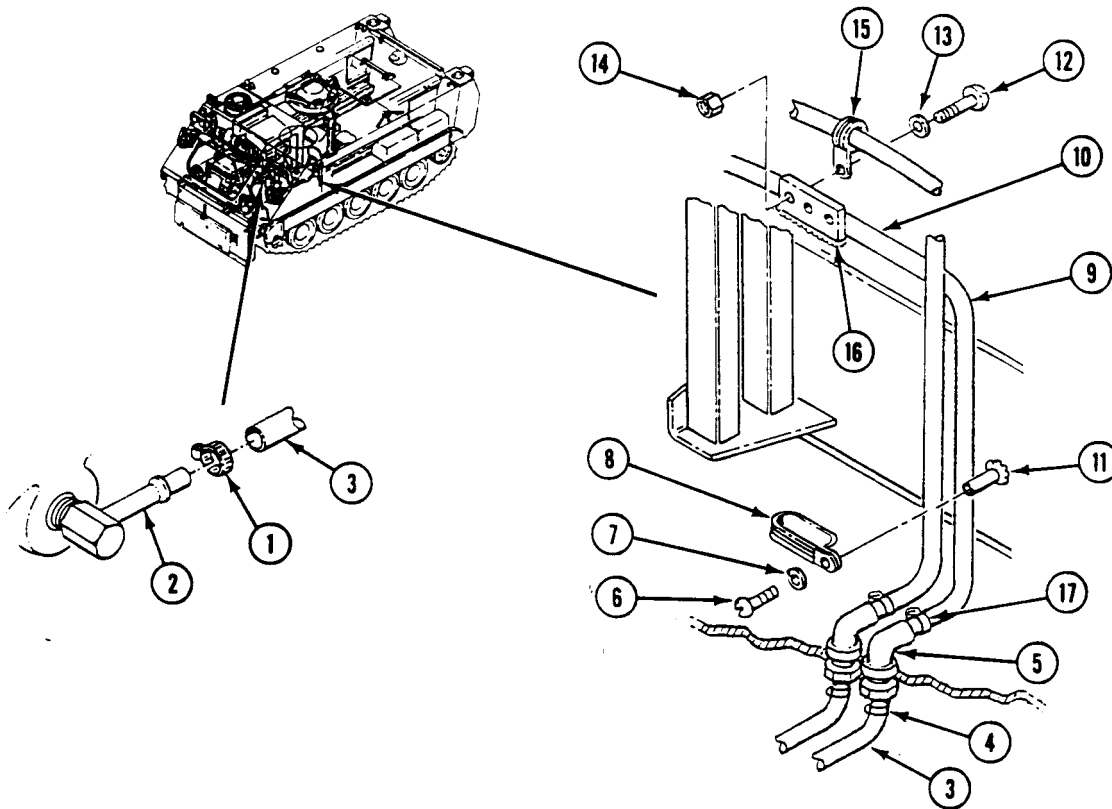
1. Loosen clamp (1) at engine coolant elbow (2). Remove hose (3) from elbow.



REPLACE ENGINE TO BATTERY BOX HOSE — Continued

0714 00

2. Loosen clamp (4) at elbow (5). Remove hose (3) from elbow. Remove hose from vehicle.
3. Remove screw (6), washer (7), and clamp (8) with hose (9) and hose (10) from standoff (11). Remove clamp (8) from hoses.
4. Remove screw (12), washer (13), nut (14), and clamp (15) from seat bracket (16). Remove clamp (15) from hose (9).
5. Loosen clamp (17) at elbow (5). Remove hose (9) from elbow.

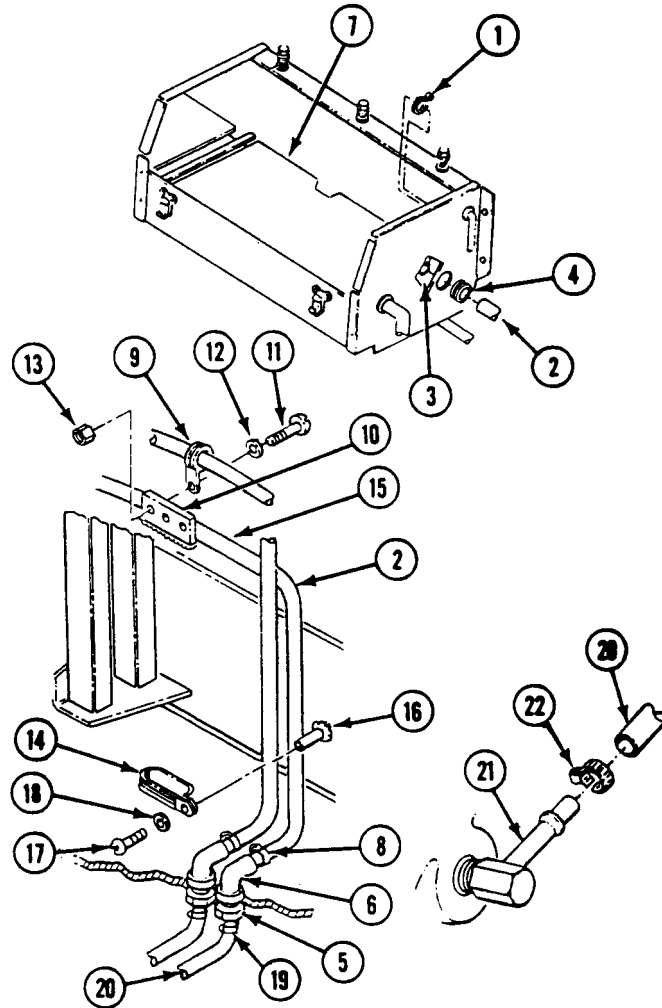


6. Loosen clamp (1) and remove hose (2) from battery heater plate elbow (3).
7. Remove hose (2) and grommet (4) from battery box. Discard grommet

NOTE

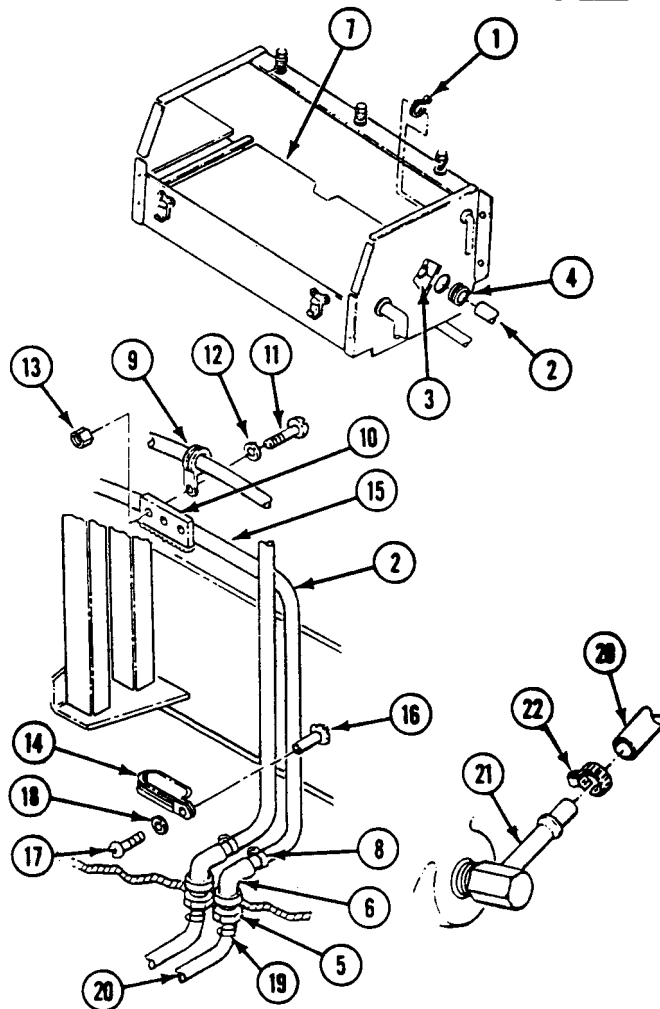
Remove elbows and nuts if damaged or leaking.

8. Remove locknut (5) and elbow (6) from floor plate. Discard locknut.



INSTALLATION

1. If required, install elbow (6) in floor plate with locknut (5).
2. Install new grommet (4) in battery box.
3. Connect hose (2) to battery heater plate elbow (3) and secure with clamp (1).
4. Route hose (2) from battery box heater plate (7) to elbow (6) on floor plate.
5. Install clamp (8) on hose (2). Connect hose (2) to elbow (6). Tighten clamp.
6. Install clamp (9) on hose (2) and secure to seat bracket (10) with screw (11), washer (12), and nut (13).
7. Install clamp (14), hose (2), and hose (15) on standoff (16) with screw (17) and washer (18).
8. Install clamp (19) on hose (20). Connect hose (20) on elbow (6). Tighten clamp.
9. Connect hose (20) to engine coolant pump elbow (21) and secure with clamp (22).



FOLLOW-THROUGH STEPS

1. Install air cleaner (WP 0168 00).
2. Fill coolant heater system (WP 0710 00).
3. Install batteries and retainers (WP 0346 00), (WP 0347 00), (WP 0349 00).
4. Start coolant heater (see your -10). Check for leaks. Turn heater off.
5. Install driver's compartment floor plates (WP 0453 00).
6. Install power plant rear access panel (see your -10).
7. Close power plant access door (see your -10).
8. Raise trim vane (see your -10).
9. Start engine (see your -10).
10. Raise and lock ramp (see your -10).
11. Stop engine (see your -10).

END OF TASK

REPLACE COOLANT HEATER TO ENGINE ELBOW HOSE

0715 00

THIS WORK PACKAGE COVERS:

Removal (page 0715 00-1).
 Installation (page 0715 00-2).

INITIAL SETUP:

Maintenance Level

Unit

References

See your -10

Tools and Special Tools

General Mechanic's Tool Kit (WP 0926 00, Item 65)

Equipment Condition

Engine stopped (see your -10)
 Carrier blocked (see your -10)
 Ramp lowered (see your -10)
 Power plant rear access panel removed (see your -10)
 Trim vane lowered (see your -10)
 Power plant access door open (see your -10)
 Coolant heater system drained (WP 0710 00)
 Air cleaner removed (WP 0168 00)

Materials/Parts

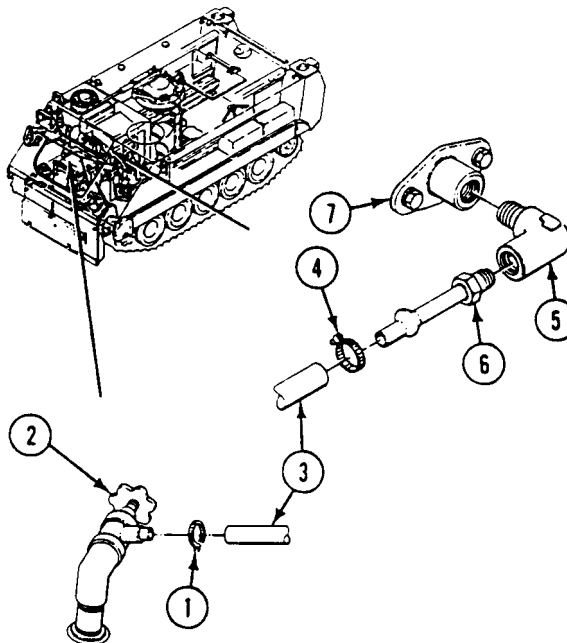
Sealing compound (WP 0928 00, Item 56)

Personnel Required

Unit Mechanic

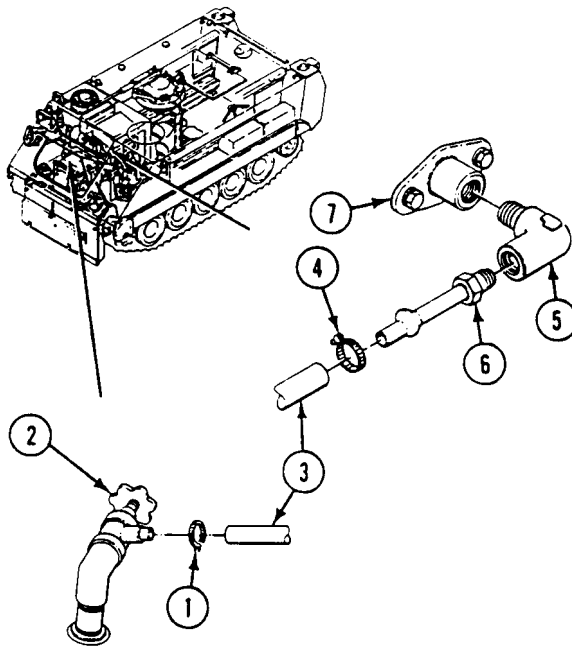
REMOVAL

1. Loosen clamp (1) at coolant heater shutoff valve (2) and remove hose (3) and clamp (1).
2. Loosen clamp (4) at engine elbow (5) and remove hose (3) and clamp (4).
3. Remove adapter (6) and elbow (5) from engine block fitting (7).



INSTALLATION

1. Apply light coat of sealing compound to external tapered threads of elbow (5). Do not apply sealing compound beyond small end of tapered threads.
2. Install elbow (5) in engine block fitting (7). Install adapter (6) in elbow (5).
3. Install clamps (1) and (4) on hose (3).
4. Connect hose (3) to elbow (5) and shutoff valve (2). Tighten clamps (1) and (4).

**FOLLOW-THROUGH STEPS**

1. Install air cleaner (WP 0168 00).
2. Fill coolant heater system (WP 0710 00).
3. Start coolant heater (see your -10). Check for leaks. Turn heater off.
4. Close power plant access door (see your -10).
5. Raise trim vane (see your -10).
6. Install power plant rear access panel (see your -10).
7. Start engine (see your -10).
8. Raise and lock ramp (see your -10).
9. Stop engine (see your -10).

END OF TASK

REPLACE COOLANT HEATER FILTER VALVE HOSE

0716 00

THIS WORK PACKAGE COVERS:

Removal (page 0716 00-1).
 Installation (page 0716 00-2).

INITIAL SETUP:

Maintenance Level

Unit

References

See your -10

Tools and Special Tools

General Mechanic's Tool Kit (WP 0926 00, Item 65)

Equipment Condition

Engine stopped (see your -10)

Carrier blocked (see your -10)

Materials/Parts

Sealing compound (WP 0928 00, Item 56)

Air cleaner removed (WP 0168 00)

Engine coolant heater fuel shutoff valve closed

(see your -10)

Personnel Required

Unit Mechanic

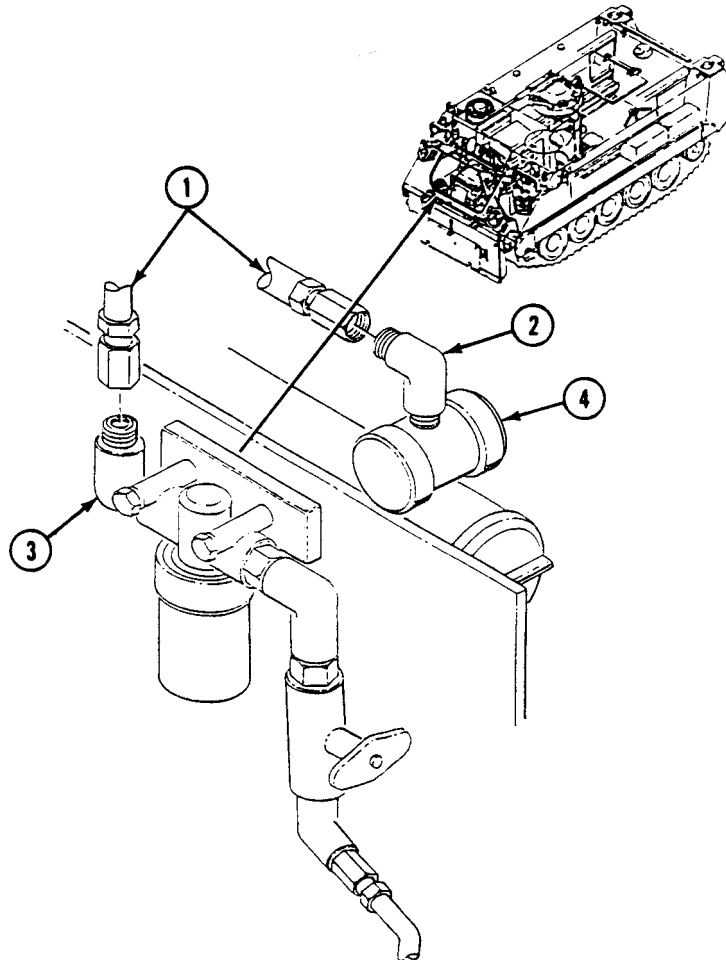
Coolant heater and pump unit removed (WP 0728 00)

REMOVAL

1. Disconnect hose (1) from elbows (2) and (3).
2. Remove elbow (2) from fuel control valve (4).

INSTALLATION

1. Apply light coat of sealing compound to external threads of elbow (2). Do not apply sealing compound beyond small end of tapered threads.
2. Install elbow (2) on fuel control valve (4).
3. Connect hose (1) to elbows (2) and (3).

**FOLLOW-THROUGH STEPS**

1. Install coolant heater and pump unit (WP 0728 00).
2. Install air cleaner (WP 0168 00).
3. Open engine coolant heater fuel shutoff valve (see your -10).

END OF TASK

REPLACE ENGINE BLOCK FITTING AND HARDWARE

0717 00

THIS WORK PACKAGE COVERS:

Removal (page 0717 00-1).
 Installation (page 0717 00-3).

INITIAL SETUP:

Maintenance Level

Unit

References

See your -10

Tools and Special Tools

General Mechanic's Tool Kit (WP 0926 00, Item 65)

Equipment Condition

Engine stopped (see your -10)
 Carrier blocked (see your -10)
 Ramp lowered (see your -10)
 Power plant rear access panel removed (see your -10)
 Drivers compartment access panel removed
 (see your -10)
 Power plant grill raised (WP 0464 00)
 Coolant heater system drained (WP 0710 00)

Materials/Parts

Sealing compound (WP 0928 00, Item 56)
 Gasket
 Lockwasher (2)

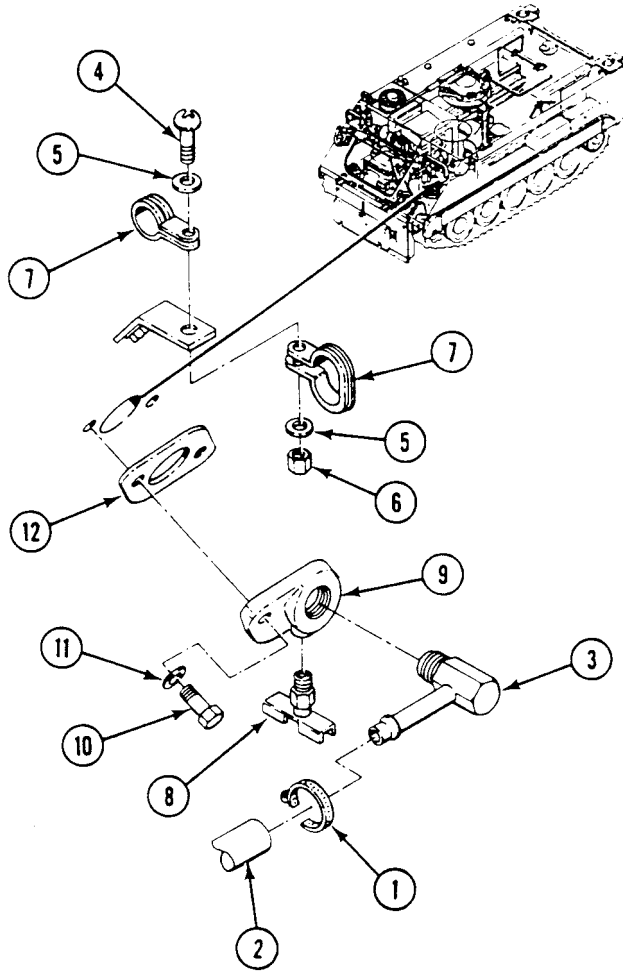
Personnel Required

Unit Mechanic

REMOVAL

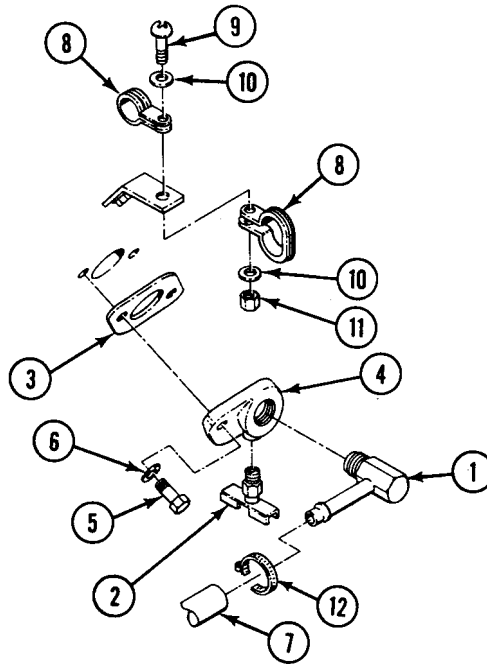
1. Loosen clamp (1) and disconnect hose (2) from elbow (3).
2. Remove screw (4), two washers (5), nut (6), and two clamps (7) that secure hose (2) to engine block.
3. Remove elbow (3) and drain cock (8) from fitting (9).

4. Remove two screws (10), lockwashers (11), fitting (9), and gasket (12) from engine. Discard gasket and lockwashers.



INSTALLATION

1. Apply light coat of sealing compound to external threads of elbow (1) and drain cock (2). Do not apply sealing compound beyond small end of tapered threads.
2. Install new gasket (3) and fitting (4) on engine block and secure with two screws (5) and new lockwashers (6).
3. Install elbow (1) and drain cock (2) on fitting (4).
4. Secure hose (7) with two clamps (8), screw (9), two washers (10), and nut (11).
5. Connect hose (7) to elbow (1) and secure with clamp (12).

**FOLLOW-THROUGH STEPS**

1. Lower power plant grill (WP 0464 00).
2. Fill coolant heater cooling system (WP 0710 00).
3. Start coolant heater (see your -10).
4. Check for leaks. Turn coolant heater off (see your -10).
5. Install drivers compartment access panel (see your -10).
6. Install power plant rear access panel (see your -10).

END OF TASK

REPLACE BATTERY BOX INSULATION AND HEAT EXCHANGER

0718 00

THIS WORK PACKAGE COVERS:

Removal (page 0718 00-1).
 Installation (page 0718 00-2).

INITIAL SETUP:

Maintenance Level

Unit

Personnel Required

Unit Mechanic

References

See your -10

Tools and Special Tools

General Mechanic's Tool Kit (WP 0926 00, Item 65)

Equipment Condition

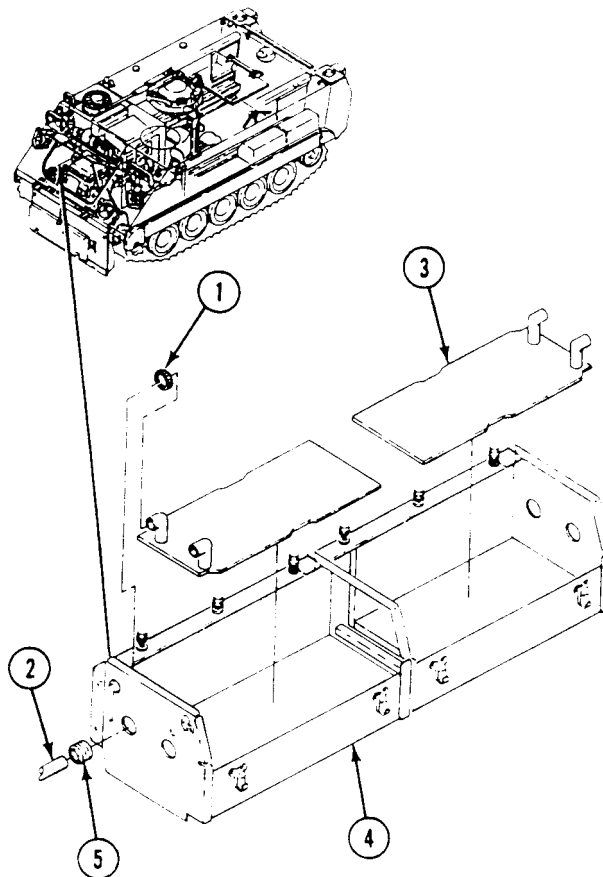
Engine stopped (see your -10)
 Carrier blocked (see your -10)
 Ramp lowered (see your -10)
 Carrier cooling system drained (WP 0227 00)
 Coolant heater system drained (WP 0710 00)

Materials/Parts

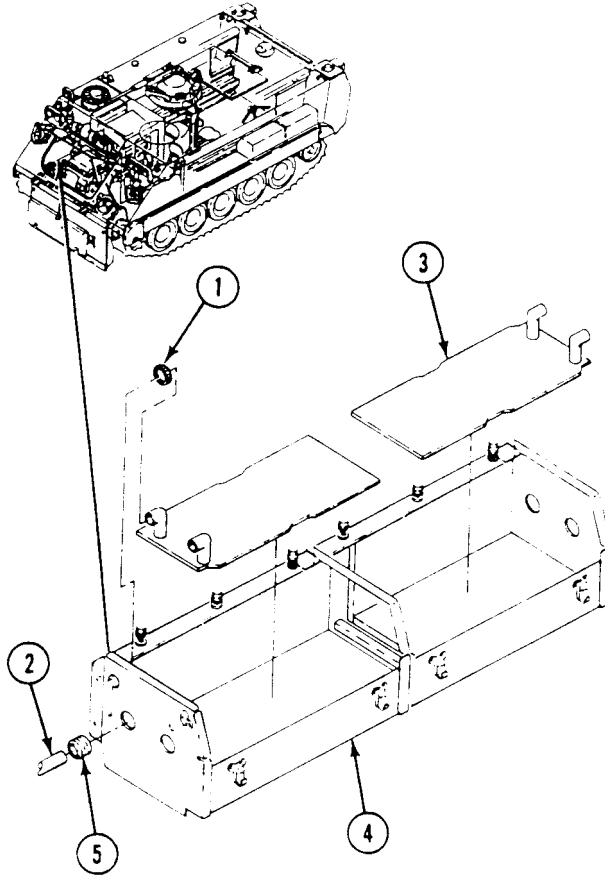
Adhesive (WP 0928 00, Item 4)
 Battery box grommet (4)

REMOVAL

1. Loosen four clamps (1) on four hoses (2). Remove hoses from two heat exchangers (3). Remove clamps from hoses.



2. Remove two heat exchangers (3) from battery box (4). Remove clamps from heat exchangers.
3. Remove four grommets (5) from battery box (4). Discard grommets.

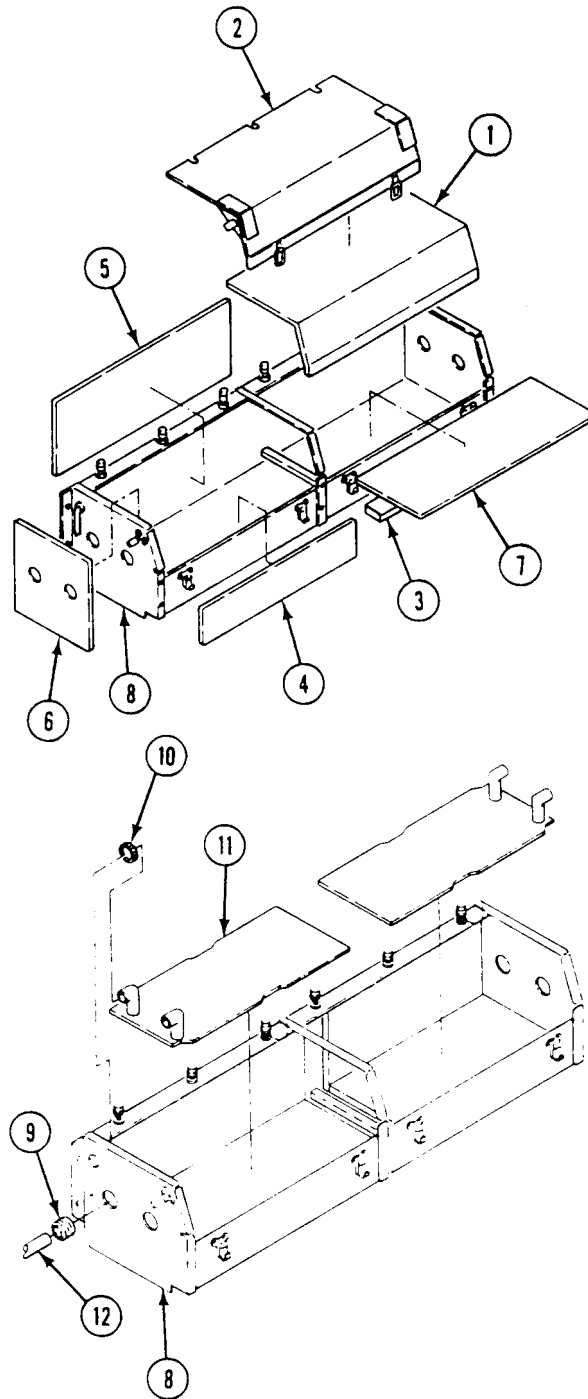


4. If damaged, remove two insulation sheets (1) from battery box cover (2).
5. If damaged, remove two insulation strips (3), two front insulation sheets (4), two rear insulation sheets (5), two side insulation sheets (6), and two bottom insulation sheets (7) from battery box (8).

INSTALLATION

1. Apply adhesive to insulation sheets. Wait 10 to 20 seconds until adhesive becomes tacky.
2. If removed, install two bottom insulation sheets (7), two side insulation sheets (6), two rear insulation sheets (5), two front insulation sheets (4), and two insulation strips (3) in battery box (8).
3. If removed, install two insulation sheets (1) on battery box cover (2).
4. Install four new grommets (9) in battery box (8).
5. Install four clamps (10) on two heat exchangers (11). Install heat exchanger in battery box (8).

6. Install four hoses (12) on heat exchanger (11). Secure with four clamps (10).



FOLLOW-THROUGH STEPS

1. Fill carrier cooling system (WP 0227 00).
2. Fill coolant heater system (WP 0710 00).
3. Start coolant heater (see your -10). Check heat exchanger for leaks. Turn heater off.
4. Raise and lock ramp (see your -10).
5. Turn MASTER SWITCH OFF.

END OF TASK

**REPLACE BATTERY DRAWER INSULATION AND HEAT EXCHANGER
(M1064A3 ONLY)**

0719 00

THIS WORK PACKAGE COVERS:

- Removal (page 0719 00-1).
- Cleaning (page 0719 00-2).
- Inspection and Repair (page 0719 00-2).
- Installation (page 0719 00-2).

INITIAL SETUP:

Maintenance Level

Unit

References

See your -10

Tools and Special Tools

General Mechanic's Tool Kit (WP 0926 00, Item 65)

Equipment Condition

- Engine stopped (see your -10)
- Carrier blocked (see your -10)
- Ramp lowered (see your -10)
- Batteries removed (WP 0349 00)
- Carrier cooling system drained (WP 0227 00)
- Coolant heater system drained (WP 0710 00)

Materials/Parts

- Sealing compound (WP 0928 00, Item 53)
- Sodium bicarbonate (WP 0928 00, Item 60)

Personnel Required

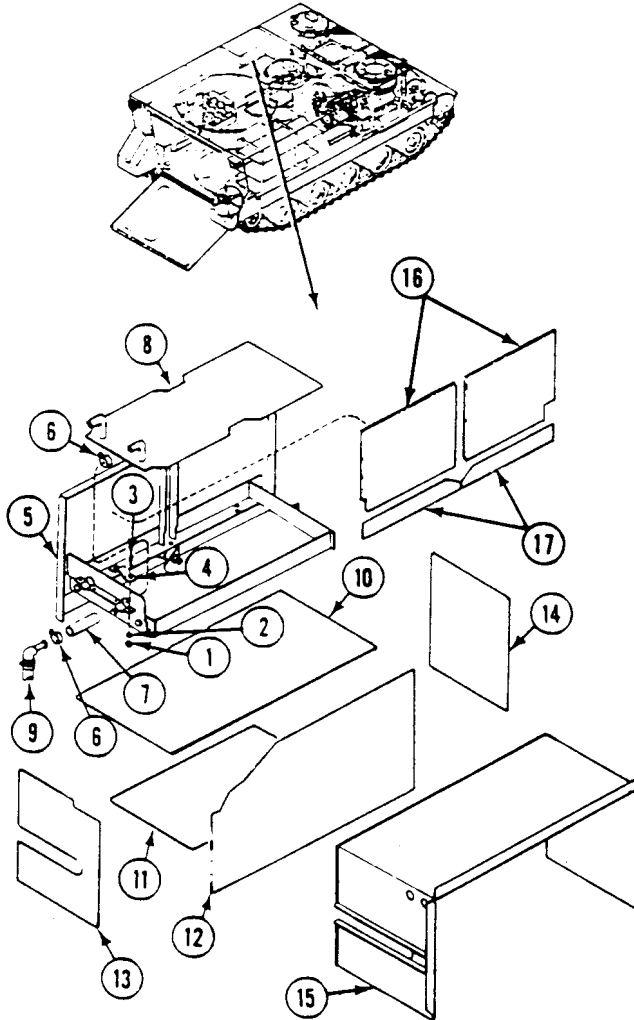
Unit Mechanic

REMOVAL

1. Remove four nuts (1), washers (2), screws (3), and two brackets (4) from battery drawer (5).
2. Loosen four clamps (6). Remove two hoses (7) from heat exchanger (8) and two elbows (9). Remove clamps from hoses.
3. Remove battery drawer (WP 0353 00).
4. Remove heat exchanger (8) from battery drawer (5).
5. If damaged, remove top insulation sheet (10), bottom insulation sheet (11), rear insulation sheet (12), right insulation sheet (13), and left insulation sheet (14) from battery drawer shield (15).

— Continued

6. If damaged, remove two installation sheets (16) and two insulation strips (17) from battery drawer (5).



CLEANING

1. Clean heat exchanger plate with brush dipped in mixture of sodium bicarbonate. After foaming stops, flush with clean water and dry.

INSPECTION-ACCEPTANCE AND REJECTION CRITERIA

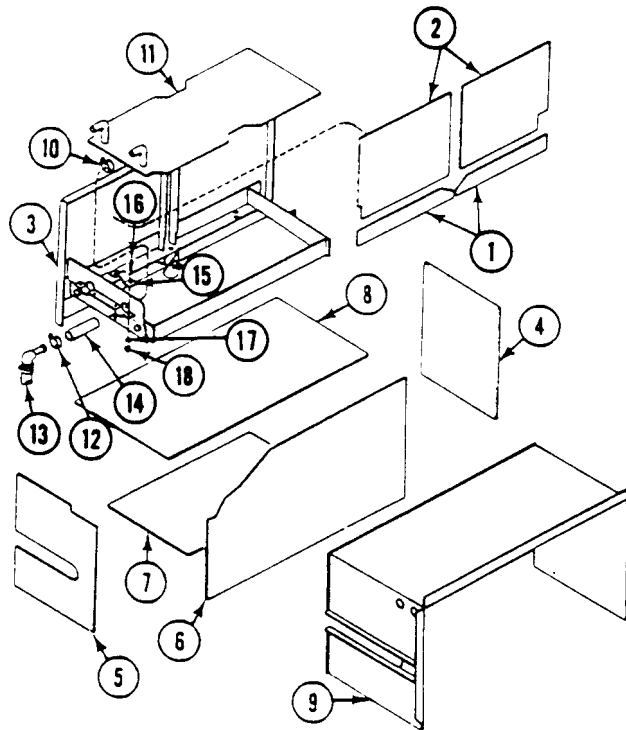
1. Check heat exchanger. Replace bent or cracked heat exchanger.
2. Check insulation. Replace loose, missing, or damaged strip or sheets.

INSTALLATION

1. Apply sealing compound to insulation sheets. Wait 10-20 seconds until sealing compound becomes tacky.
2. If removed, install two insulation strips (1) and two insulation sheets (2) on battery drawer (3).

REPLACE BATTERY DRAWER INSULATION AND HEAT EXCHANGER (M1064A3 ONLY)**0719 00****— Continued**

3. If removed, install left insulation sheet (4) right insulation sheet (5), rear insulation sheet (6), bottom insulation sheet (7), and top insulation sheet (8) in battery drawer shield (9).
4. Place two clamps (10) on heat exchanger (11). Install heat exchanger in battery drawer (3).
5. Install battery drawer (WP 0353 00).
6. Place two clamps (12) on two elbows (13). Install two hoses (14) on two elbows (13) and heat exchanger (11). Secure with four clamps (10) and (12).
7. Place two brackets (15) on battery drawer (3). Secure with four screws (16), washers (17), and nuts (18).

**FOLLOW-THROUGH STEPS**

1. Install batteries (WP 0349 00).
2. Fill carrier cooling system (WP 0227 00).
3. Fill coolant heater system (WP 0710 00).
4. Start coolant heater (see your -10). Check heat exchanger for leaks. Turn heater off.
5. Start engine (see your -10).
6. Raise and lock ramp (see your -10).
7. Stop engine (see your -10).

END OF TASK

REPLACE COOLANT HEATER FUEL SHUTOFF VALVE

0720 00

THIS WORK PACKAGE COVERS:

Removal (page 0720 00-1).
 Installation (page 0720 00-3).

INITIAL SETUP:

Maintenance Level

Unit

Personnel Required

Unit Mechanic

Tools and Special Tools

General Mechanic's Tool Kit (WP 0926 00, Item 65)

References

See your -10

Materials/Parts

Sealing compound (WP 0928 00, Item 56)

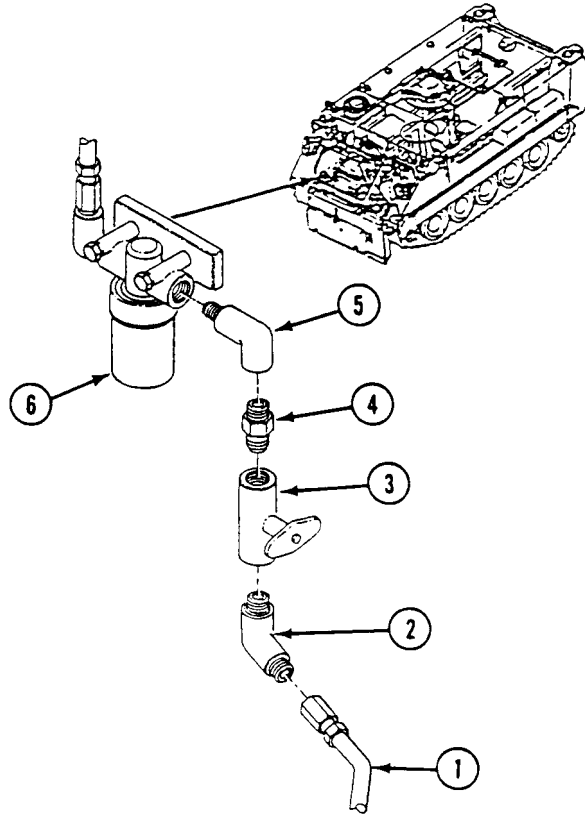
Equipment Condition

Engine stopped (see your -10)
 Carrier blocked (see your -10)
 Air cleaner removed (WP 0168 00)

REMOVAL

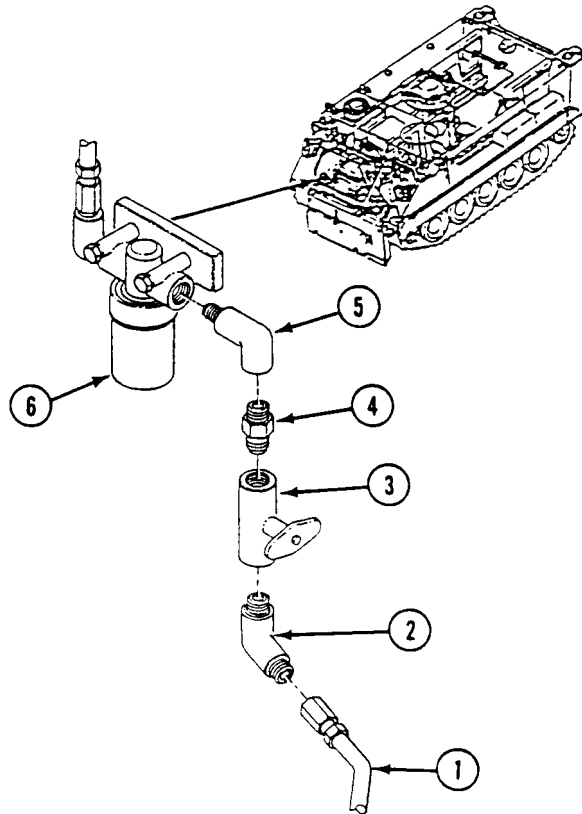
1. Disconnect hose (1) from elbow (2).
2. Remove elbow (2) from fuel shutoff valve (3).
3. Remove fuel shutoff valve (3) from nipple (4).
4. Remove nipple (4) from elbow (5).

5. Remove elbow (5) from fuel filter (6).



INSTALLATION

1. Apply light coat of sealing compound to all external tapered threads. Do not apply sealant beyond small end of tapered threads.
2. Install elbow (5) on fuel filter (6).
3. Install nipple (4) on elbow (5).
4. Install fuel shutoff valve (3) on nipple (4).
5. Install elbow (2) on fuel shutoff valve (3)
6. Connect hose (1) to elbow (2).

**FOLLOW-THROUGH STEPS**

1. Install air cleaner (WP 0168 00).

END OF TASK

REPLACE FUEL PUMP TEE TO ELBOW HOSE

0721 00

THIS WORK PACKAGE COVERS:

Removal (page 0721 00-1).
 Installation (page 0721 00-3).

INITIAL SETUP:

Maintenance Level

Unit

References

See your -10

Tools and Special Tools

General Mechanic's Tool Kit (WP 0926 00, Item 65)

Equipment Condition

Engine stopped (see your -10)
 Carrier blocked (see your -10)
 Ramp lowered (see your -10)
 Fuel tank fuel shutoff valves closed (see your -10)
 Rear floor plate removed (WP 0539 00), (WP 0540 00),
 (WP 0541 00), (WP 0542 00), (WP 0543 00),
 (WP 0544 00), or (WP 0545 00)

Materials/Parts

Sealing compound (WP 0928 00, Item 56)

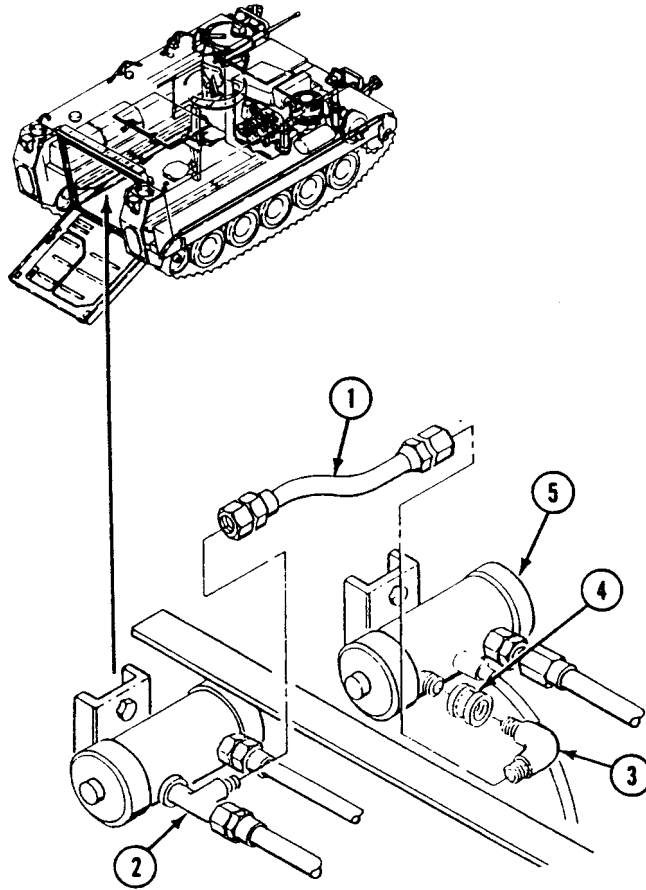
Personnel Required

Unit Mechanic

REMOVAL

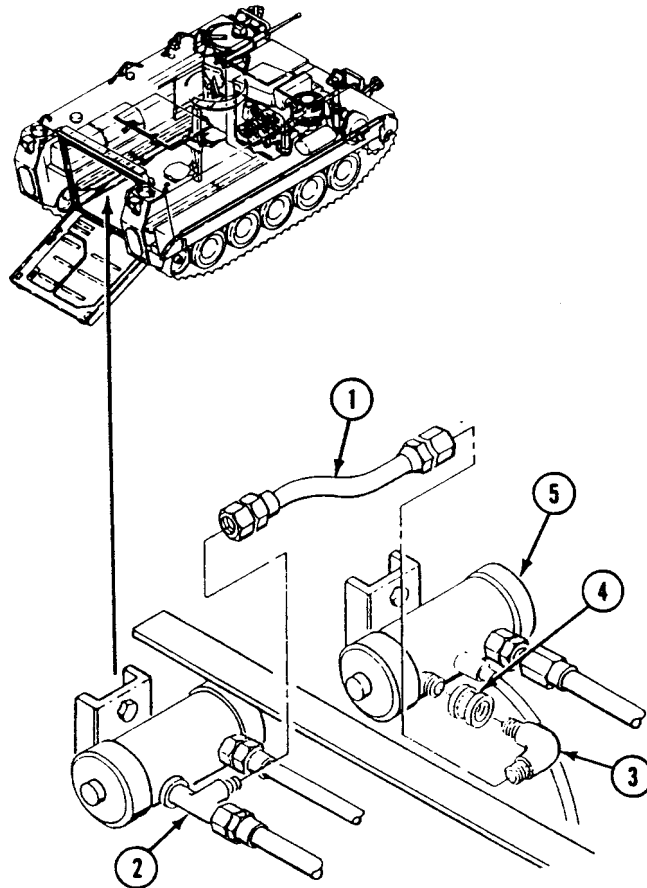
1. Remove hose (1) from fuel pump tee (2) and fuel pump elbow (3).
2. Remove elbow (3) from coupling (4).

3. Remove coupling (4) from fuel pump (5).



INSTALLATION

1. Apply light coat of sealing compound to all external tapered threads of pump and elbow (3). Do not apply sealant beyond small end of tapered threads.
2. Install coupling (4) on fuel pump (5).
3. Install elbow (3) on coupling (4).
4. Connect hose (1) to fuel pump tee (2) and fuel pump elbow (3).

**FOLLOW-THROUGH STEPS**

1. Install rear floor plate (WP 0539 00), (WP 0540 00), (WP 0541 00), (WP 0542 00), (WP 0543 00), (WP 0544 00), or (WP 0545 00).
2. Open fuel tank shutoff valves (see your -10).
3. Start engine (see your -10).
4. Raise and lock ramp (see your -10).
5. Stop engine (see your -10).

END OF TASK

REPLACE BATTERY PLATE TO BATTERY PLATE HOSE

0722 00

THIS WORK PACKAGE COVERS:

Removal (page 0722 00-1).
 Installation (page 0722 00-2).

INITIAL SETUP:

Maintenance Level

Unit

References

See your -10

Tools and Special Tools

General Mechanic's Tool Kit (WP 0926 00, Item 65)

Equipment Condition

Engine stopped (see your -10)
 Carrier blocked (see your -10)
 Ramp lowered (see your -10)
 Shut off valves on coolant heater closed (see your -10)
 Carrier cooling system drained (WP 0227 00)
 Coolant heater system drained (WP 0710 00)
 Batteries and retainers removed (WP 0346 00),
 (WP 0347 00), or (WP 0349 00)

Materials/Parts

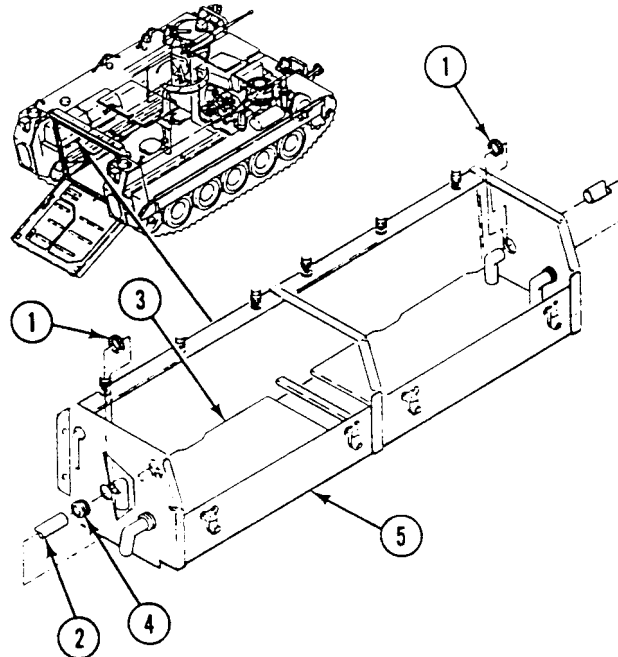
Grommet (2)

Personnel Required

Unit Mechanic

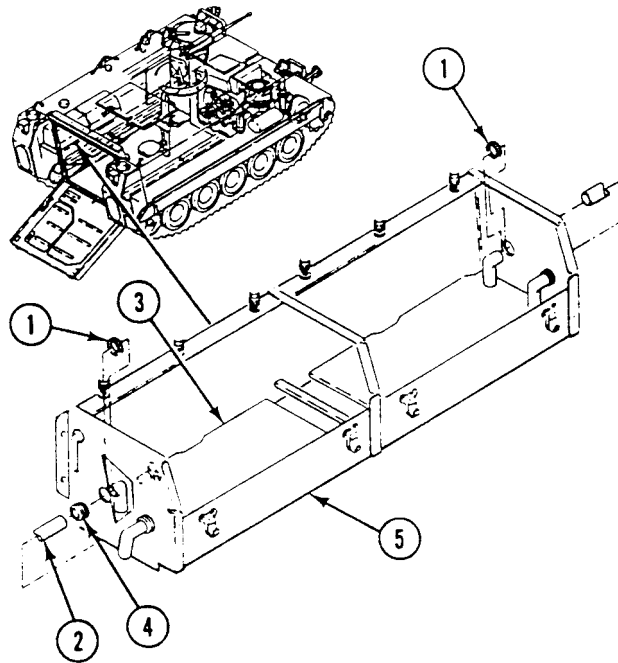
REMOVAL

1. Loosen two clamps (1) on hose (2) and remove hose from battery plates (3).
2. Remove clamps (1) from hose (2).
3. Remove two grommets (4) from battery box (5). Discard grommets.



INSTALLATION

1. Install two new grommets (4) in battery box (5).
2. Install two clamps (1) on hose (2).
3. Install hose (2) on battery plates (3) and tighten clamps (1).

**FOLLOW-THROUGH STEPS**

1. Fill carrier cooling system (WP 0227 00).
2. Fill coolant heater system (WP 0710 00).
3. Install batteries and retainers (WP 0346 00), (WP 0347 00), or (WP 0349 00).
4. Start coolant heater (see your -10). Check for leaks. Turn heater off.
5. Start engine (see your -10).
6. Raise and lock ramp (see your -10).
7. Stop engine (see your -10).

END OF TASK

REPLACE COOLANT HEATER FUEL PUMP

0723 00

THIS WORK PACKAGE COVERS:

Removal (page 0723 00-1).
 Installation (page 0723 00-3).

INITIAL SETUP:

Maintenance Level

Unit

References

See your -10

Tools and Special Tools

General Mechanic's Tool Kit (WP 0926 00, Item 65)

Equipment Condition

Engine stopped (see your -10)
 Carrier blocked (see your -10)
 Ramp lowered (see your -10)
 Battery ground strap disconnected (WP 0337 00),
 (WP 0338 00), or (WP 0339 00)
 Rear floor plate removed (WP 0539 00), (WP 0540 00),
 (WP 0541 00), (WP 0542 00), (WP 0543 00),
 (WP 0544 00), or (WP 0545 00)
 Heater fuel shut off valve closed (see your -10)

Materials/Parts

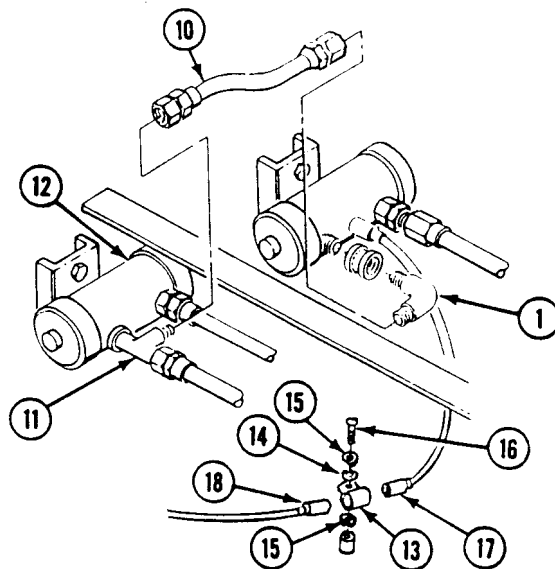
Sealing compound (WP 0928 00, Item 56)
 Lockwasher (4)
 Locknut (2)

Personnel Required

Unit Mechanic

REMOVAL

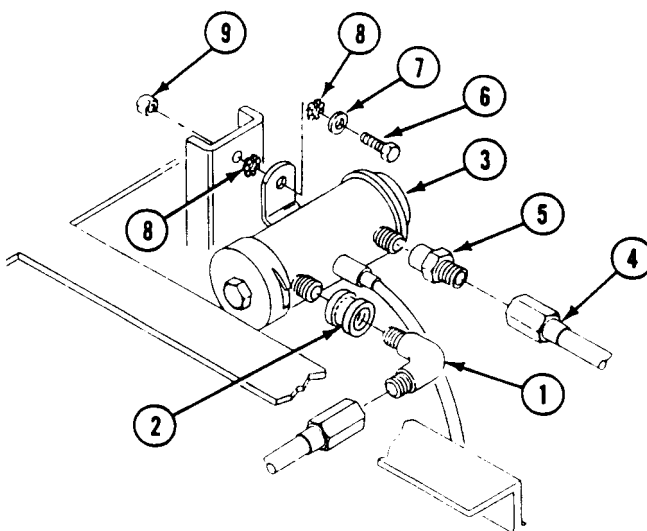
1. Disconnect circuit 402A lead (18) from fuel pump lead (17).
2. Remove screw (16), two lockwashers (15), washer (14), and clamp (13) from hull weldnut. Discard lockwashers.
3. Remove hose (10) from tee (11) on personnel heater fuel pump (12) and from elbow (1) on coolant heater fuel pump.



REPLACE COOLANT HEATER FUEL PUMP — Continued

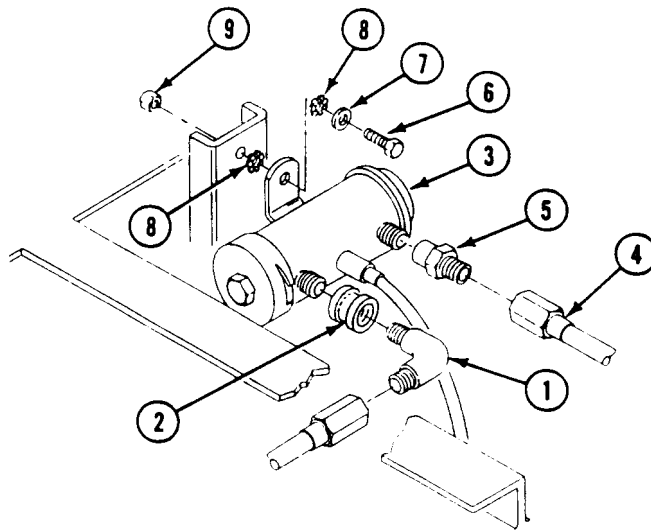
0723 00

4. Remove elbow (1) from coupling (2).
5. Remove coupling (2) from fuel pump (3).
6. Disconnect hose (4) from adapter (5). Remove adapter from fuel pump (3).
7. Remove two screws (6), washers (7), lockwashers (8), two locknuts (9), and fuel pump (3) from hull bracket. Discard lockwashers and locknuts.



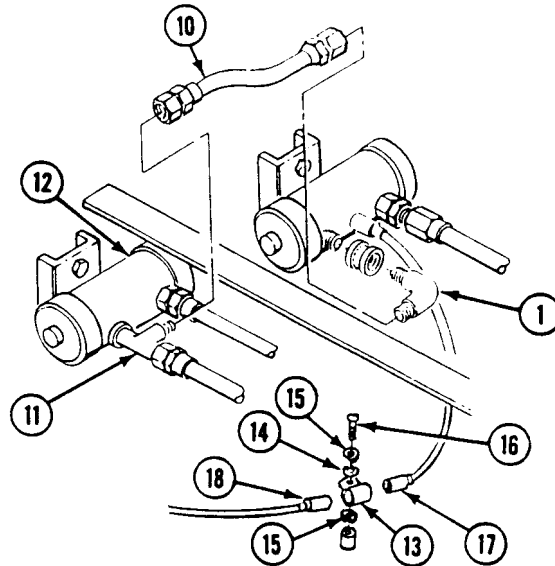
INSTALLATION

1. Place fuel pump (3) on hull bracket. Secure with two new locknuts (9), two new lockwashers (8), two washers (7), and screws (6).
2. Apply light coat of sealing compound to all external tapered threads. Do not apply sealant beyond small end of tapered threads.
3. Install adapter (5) on fuel pump (3). Connect hose (4) to adapter.
4. Install coupling (2) on fuel pump (3).
5. Install elbow (1) on coupling (2).



REPLACE COOLANT HEATER FUEL PUMP — Continued**0723 00**

6. Install hose (10) on elbow (1) and on tee (11) on personnel heater fuel pump (12).
7. Place clamp (13) on hull weldnut. Secure with washer (14), two new lockwashers (15), and screw (16).
8. Connect fuel pump lead (17) to circuit 402A lead (18).

**FOLLOW-THROUGH STEPS**

1. Open heater fuel shut off valve (see your -10).
2. Connect battery ground strap (WP 0337 00), (WP 0338 00), or (WP 0339 00).
3. Bleed fuel lines (WP 0679 00).
4. Start heater (see your -10). Check for fuel leaks. Turn heater off.
5. Install rear floor plate (WP 0539 00), (WP 0540 00), (WP 0541 00), (WP 0542 00), (WP 0543 00), (WP 0544 00), or (WP 0545 00).
6. Start engine (see your -10).
7. Raise and lock ramp (see your -10).
8. Stop engine (see your -10).

END OF TASK

REPLACE COOLANT HEATER EXHAUST ELBOW AND PIPES

0724 00

THIS WORK PACKAGE COVERS:

Removal (page 0724 00-1).
 Installation (page 0724 00-2).

INITIAL SETUP:

Maintenance Level

Unit

References

See your -10

Tools and Special Tools

General Mechanic's Tool Kit (WP 0926 00, Item 65)

Equipment Condition

Engine stopped (see your -10)
 Carrier blocked (see your -10)
 Ramp lowered (see your -10)
 Trim vane lowered (see your -10)
 Power plant access door open (see your -10)
 Air cleaner removed (WP 0168 00)

Materials/Parts

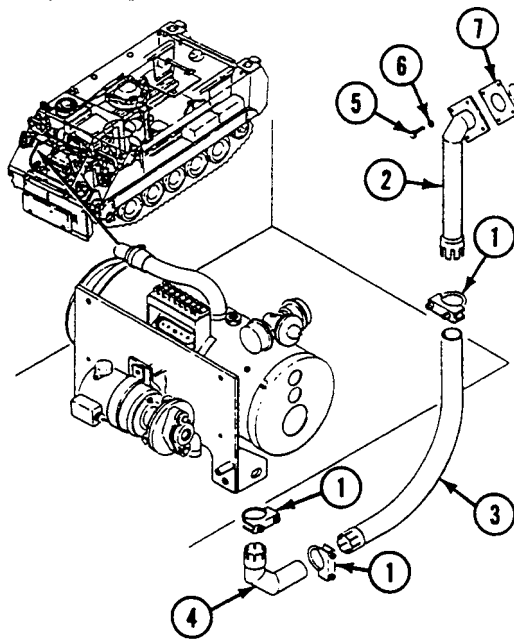
Gasket

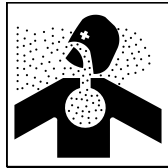
Personnel Required

Unit Mechanic

REMOVAL

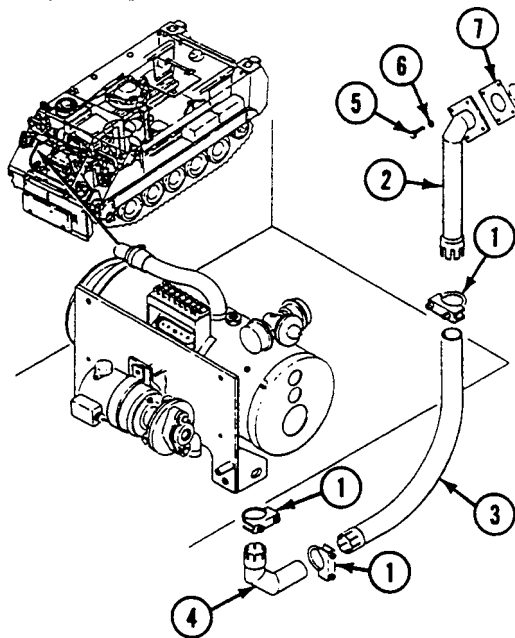
1. Loosen three clamps (1) on upper exhaust pipe (2), on lower exhaust pipe (3), and on exhaust elbow (4).



WARNING

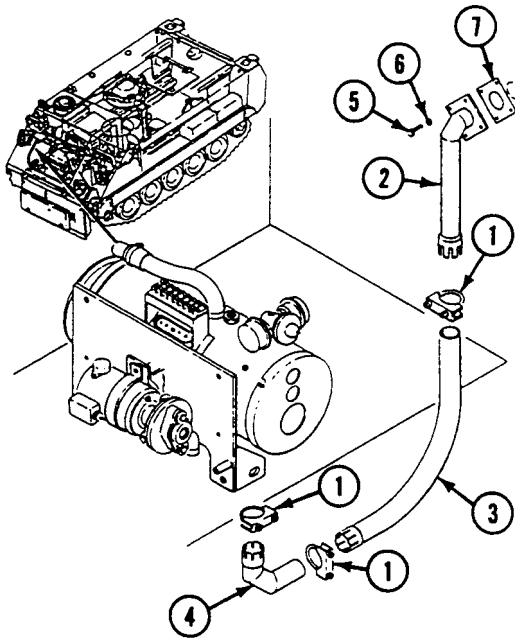
Older gaskets are made out of asbestos. Handle with care. Discard older gasket properly as a hazardous material per local standard operating procedure.

2. Remove four screws (5), washers (6), upper pipe (2), and gasket (7) from exhaust grill housing. Discard gasket.
3. Remove upper pipe (2) from lower pipe (3). Remove lower pipe from elbow (4).
4. Remove elbow (4) from coolant heater.

**INSTALLATION**

1. Place clamp (1) on elbow (4). Install elbow on coolant heater. Tighten clamp.
2. Place clamp (1) on lower pipe (3). Install pipe in elbow (4). Tighten clamp.
3. Place clamp (1) on upper pipe (2). Install upper pipe in lower pipe (3). Tighten clamp.

4. Align new gasket (7) and upper pipe (2) with exhaust grill housing. Secure with four washers (6) and screws (5).



FOLLOW-THROUGH STEPS

1. Install air cleaner (WP 0168 00).
2. Start coolant heater (see your -10). Check for exhaust leaks. Turn heater off.
3. Close power plant access door (see your -10).
4. Raise trim vane (see your -10).
5. Start engine (see your -10).
6. Raise and lock ramp (see your -10).
7. Stop engine (see your -10).

END OF TASK

REPLACE HEATER TO SURGE TANK HOSE

0725 00

THIS WORK PACKAGE COVERS:

- Removal (page 0725 00-1).
- Installation (page 0725 00-1).

INITIAL SETUP:

Maintenance Level

Unit

Personnel Required

Unit Mechanic

Equipment Condition

- Engine stopped (see your -10)
- Carrier blocked (see your -10)
- Air cleaner removed (WP 0168 00)
- Engine coolant heater drained (WP 0710 00)

Tools and Special Tools

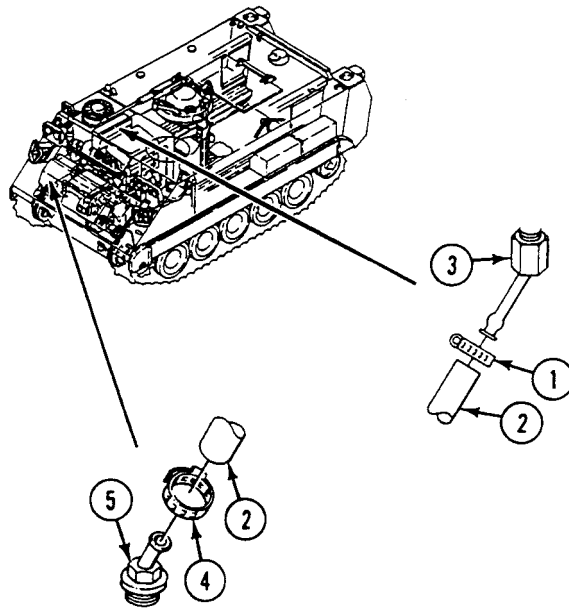
General Mechanic's Tool Kit (WP 0926 00, Item 65)

REMOVAL

1. Remove clamp (1) from hose (2) and elbow (3). Remove hose from surge tank.
2. Remove clamp (4) from hose (2) and elbow (5). Remove hose from coolant heater.

INSTALLATION

1. Install hose (2) on elbow (5). Secure with clamp (4).
2. Install hose (2) on elbow (3). Secure with clamp (1).



FOLLOW-THROUGH STEPS

1. Install air cleaner (WP 0168 00).
2. Fill engine coolant heater (WP 0710 00).

END OF TASK

REPLACE FUEL FILTER

0726 00

THIS WORK PACKAGE COVERS:

Removal (page 0726 00-1).
 Installation (page 0726 00-2).

INITIAL SETUP:

Maintenance Level

Unit

References

See your -10

Tools and Special Tools

General Mechanic's Tool Kit (WP 0926 00, Item 65)

Equipment Condition

Materials/Parts

Lockwasher (2)

Engine stopped (see your -10)

Carrier blocked (see your -10)

Personnel Required

Unit Mechanic

Air cleaner removed (WP 0168 00)

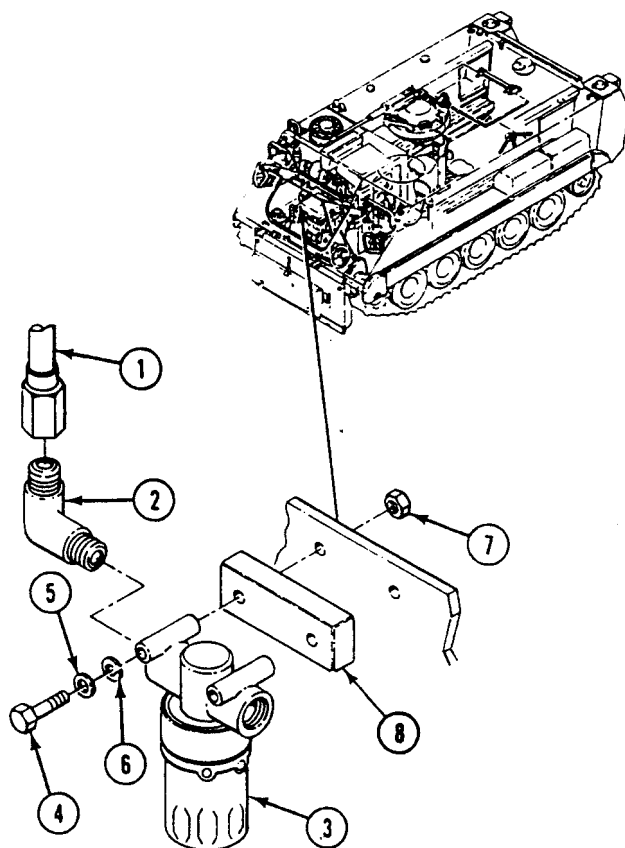
Coolant heater fuel shut off valve removed (WP 0720 00)

REMOVAL

1. Remove hose (1) from elbow (2).
2. Remove elbow (2) from filter (3).
3. Remove two screws (4), washers (5), lockwashers (6), and nuts (7). Remove filter (3) and spacer (8). Discard lockwashers.

INSTALLATION

1. Install filter (3) and spacer (8). Secure with two screws (4), washers (5), new lockwashers (6) and nuts (7).
2. Install elbow (2) on filter (3).
3. Install hose (1) on elbow (2).

**FOLLOW-THROUGH STEPS**

1. Install coolant heater fuel shut off valve (WP 0720 00).
2. Install air cleaner (WP 0168 00).

END OF TASK

ADJUST FLAME DETECTOR SWITCH

0727 00

THIS WORK PACKAGE COVERS:

Adjustment (page 0727 00-1).

INITIAL SETUP:

Maintenance Level

Unit

Personnel Required

Unit Mechanic

Tools and Special Tools

General Mechanic's Tool Kit (WP 0926 00, Item 65)

Equipment Condition

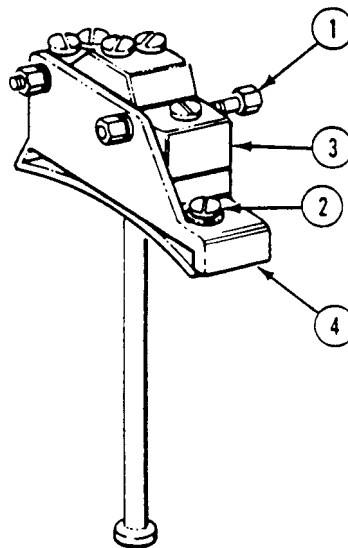
Flame detector switch removed (WP 0734 00)

Materials/Parts

Sealing compound (WP 0928 00, Item 56)

ADJUSTMENT

1. Loosen mounting screws (1).
2. Back off adjusting screw (2) until switch (3) clicks.
3. Turn screw (2) slowly in until switch (3) just clicks. Then turn screw exactly 3/4 turn past the click point.
4. Tighten mounting screws (1).
5. Cement screw (2) to mount (4) with sealing compound.



FOLLOW-THROUGH STEPS

1. Install flame detector switch (WP 0734 00).

END OF TASK

REPLACE COOLANT HEATER AND PUMP UNIT

0728 00

THIS WORK PACKAGE COVERS:

- Removal (page 0728 00-1).
- Inspection and Repair (page 0728 00-5).
- Installation (page 0728 00-5).

INITIAL SETUP:

Maintenance Level

Unit

Tools and Special Tools

General Mechanic's Tool Kit (WP 0926 00, Item 65)

Materials/Parts

Lockwasher

Personnel Required

Unit Mechanic

References

See your -10

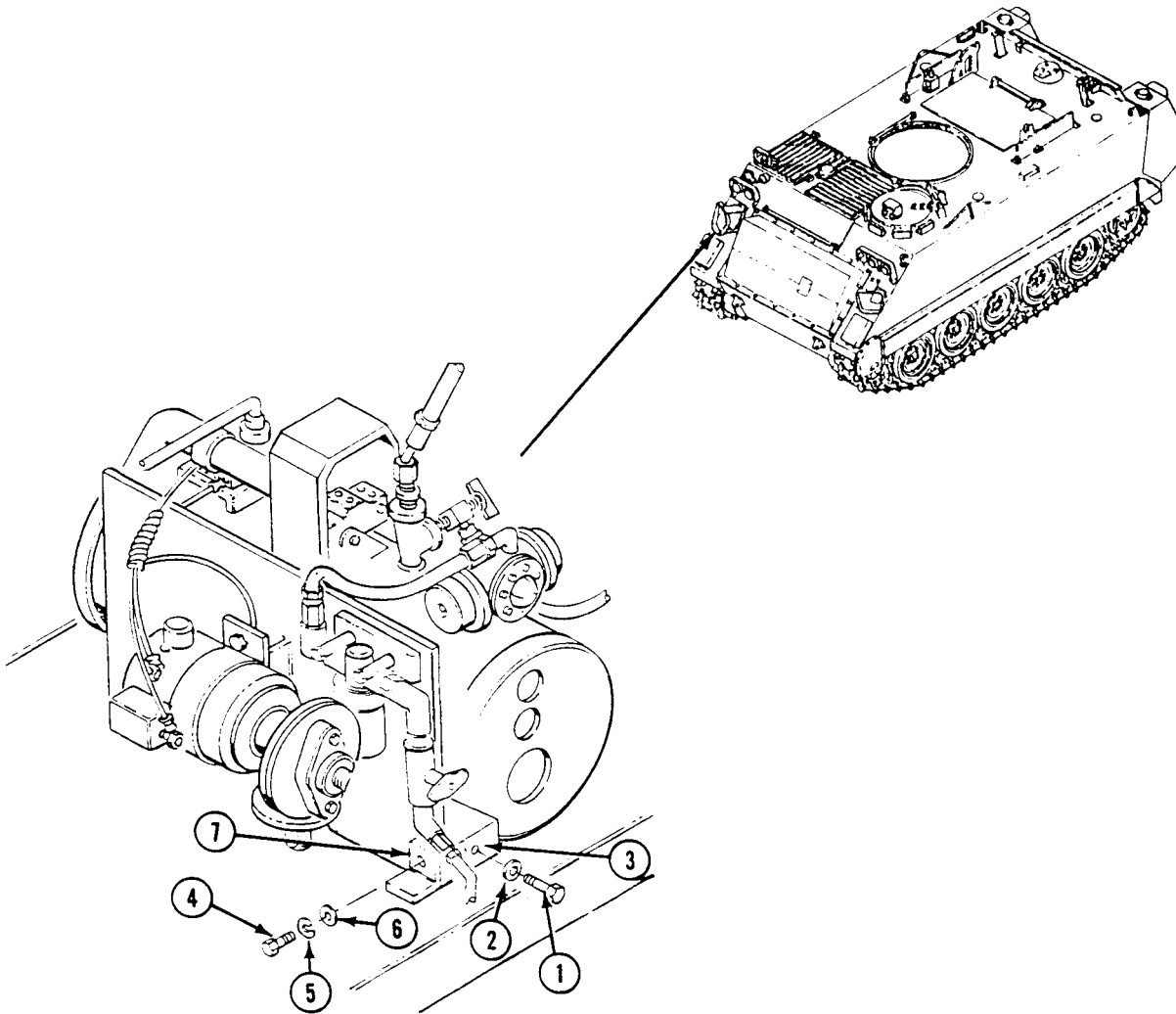
Equipment Condition

- Engine stopped (see your -10)
- Carrier blocked (see your -10)
- Trim vane lowered (see your -10)
- Power plant access door open (see your -10)
- Fuel tank shut off valves closed (see your -10)
- Coolant heater fuel shut off valve closed (see your -10)
- Carrier cooling system drained (WP 0227 00)
- Battery ground strap disconnected (WP 0337 00), (WP 0338 00), or (WP 0339 00)
- Air cleaner removed (WP 0168 00)

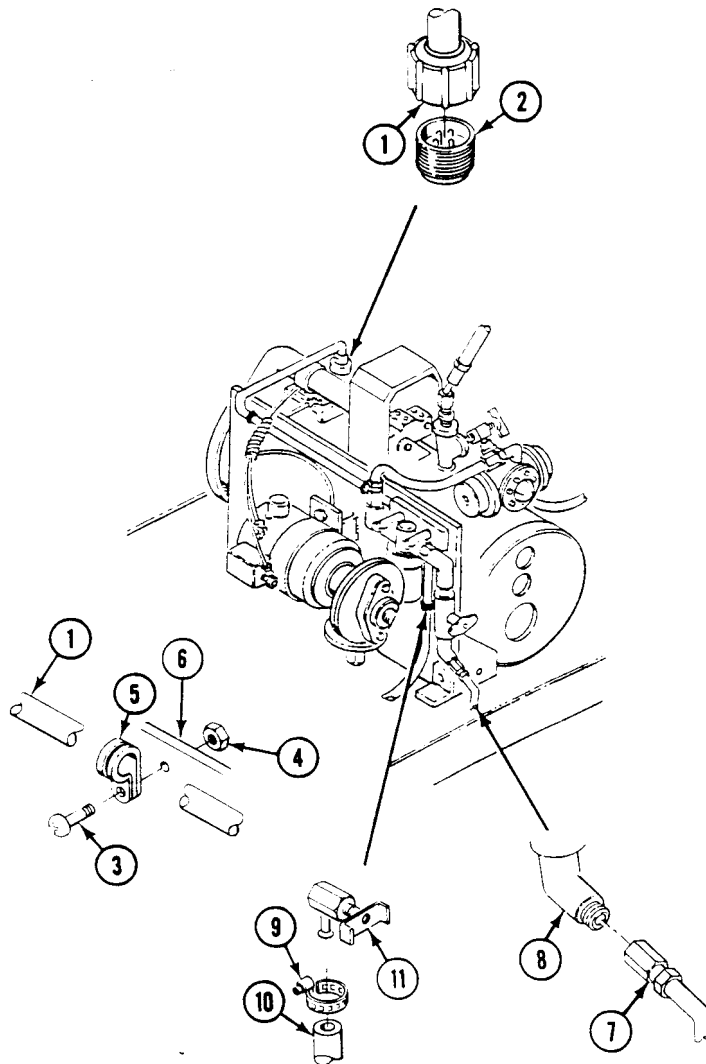
REMOVAL

1. Remove two screws (1) and flat washers (2) from outboard end of bracket (3).

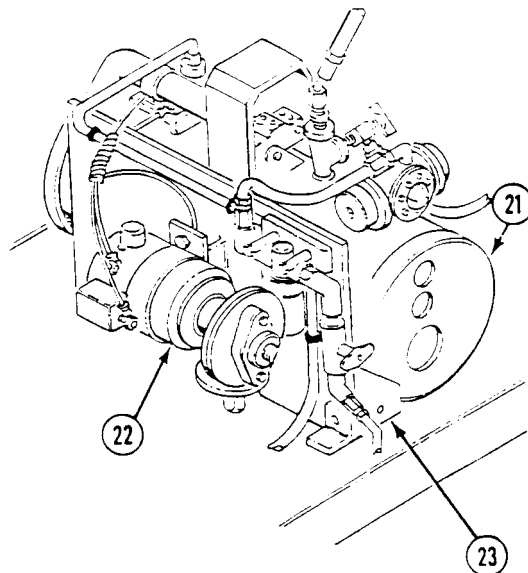
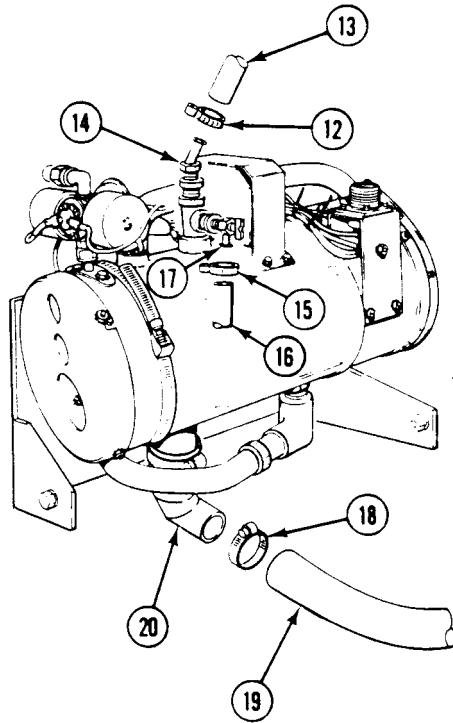
2. Remove two screws (4), lockwasher (5), and two flat washers (6) from inboard end of bracket (7). Discard lockwasher.



3. Disconnect wiring harness (1) from receptacle (2).
4. Remove three screws (3), nuts (4), clamps (5), and harness (1) from bracket (6).
5. Disconnect fuel inlet hose (7) from elbow (8).
6. Loosen clamp (9). Disconnect hose (10) from coolant pump (11).



7. Loosen clamp (12). Disconnect hose (13) from elbow (14).
8. Loosen clamp (15). Disconnect hose (16) from tee (17).
9. Loosen clamp (18). Disconnect exhaust pipe (19) from elbow hose (20).
10. Remove heater (21), pump (22), and bracket (23) from carrier as an assembly.

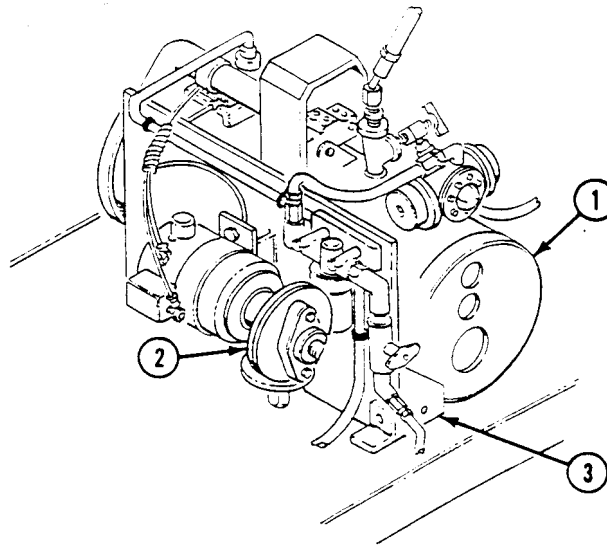


INSPECTION-ACCEPTANCE AND REJECTION CRITERIA

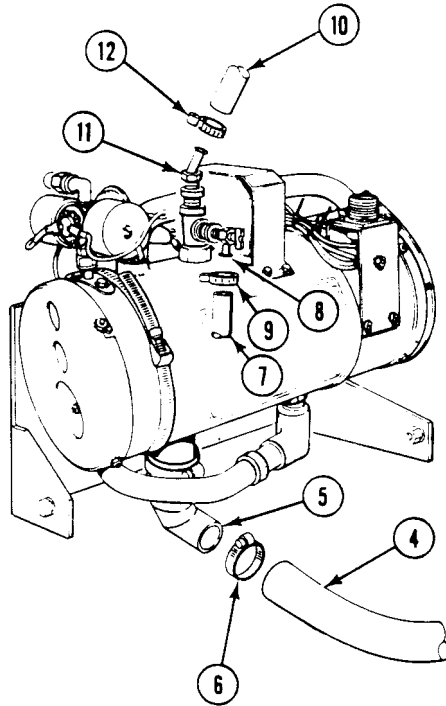
1. Check coolant heater and components. See troubleshooting (WP 0089 00). Replace bad heater (WP 0729 00) or components (WP 0730 00)(WP 0734 00).
2. Check coolant pump. See troubleshooting (WP 0089 00). Replace bad coolant pump (WP 0731 00).
3. Check heater. Replace cracked, dented, or damaged heater (WP 0729 00).

INSTALLATION

1. Install heater (1), pump (2), and bracket (3) assembly in carrier on right front sponson. Align bracket (3) with four hull brackets.

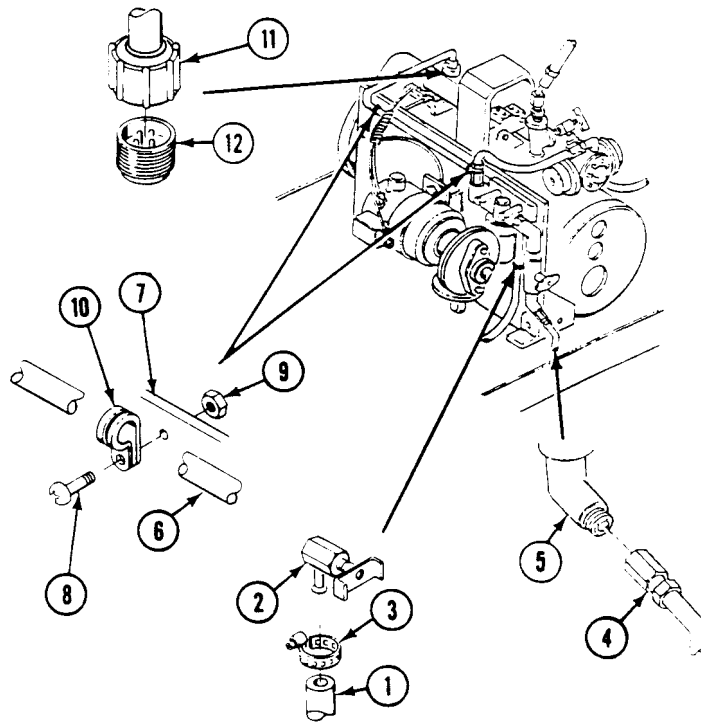


2. Connect exhaust pipe hose (4) to elbow (5). Secure with clamp (6).
3. Connect hose (7) to tee (8). Secure with clamp (9).
4. Connect hose (10) to elbow (11). Secure with clamp (12).



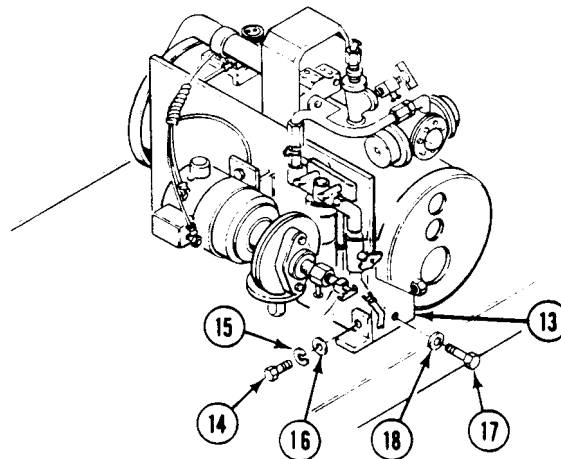
5. Connect hose (1) to coolant pump (2). Secure with clamp (3).
6. Unplug fuel inlet hose (4) and connect hose to fuel shut off valve elbow (5).
7. Install harness (6) on bracket (7). Secure with three screws (8), nuts (9), and clamps (10).

8. Connect harness (11) to receptacle (12).



9. Align bracket (13) with four hull brackets. Secure with two screws (14), new lockwashers (15), and two flat washers (16) in outboard end of bracket (13) and brackets on hull.

10. Install two screws (17), and two flat washers (18) in inboard end of bracket (13) and brackets on hull.



FOLLOW-THROUGH STEPS

1. Install air cleaner (WP 0168 00).
2. Connect battery ground strap (WP 0337 00), (WP 0338 00), or (WP 0339 00).
3. Fill carrier cooling system (WP 0227 00).
4. Open fuel tank shut off valves (see your -10).
5. Open heater fuel shut off valve (see your -10).
6. Start heater (see your -10). Check to make sure heater is installed right. Check for leaks. Turn heater off.
7. Close power plant access door (see your -10).
8. Raise trim vane (see your -10).
9. Start engine (see your -10).
10. Raise and lock ramp (see your -10).
11. Stop engine (see your -10).

END OF TASK

REPLACE COOLANT HEATER

0729 00

THIS WORK PACKAGE COVERS:

- Removal (page 0729 00-1).
- Inspection and Repair (page 0729 00-1).
- Installation (page 0729 00-2).

INITIAL SETUP:

Maintenance Level

Unit

Personnel Required

Unit Mechanic

Tools and Special Tools

General Mechanic's Tool Kit (WP 0926 00, Item 65)

Equipment Condition

Materials/Parts

Sealing compound (WP 0928 00, Item 56)

Coolant heater and pump unit removed from carrier (WP 0728 00)

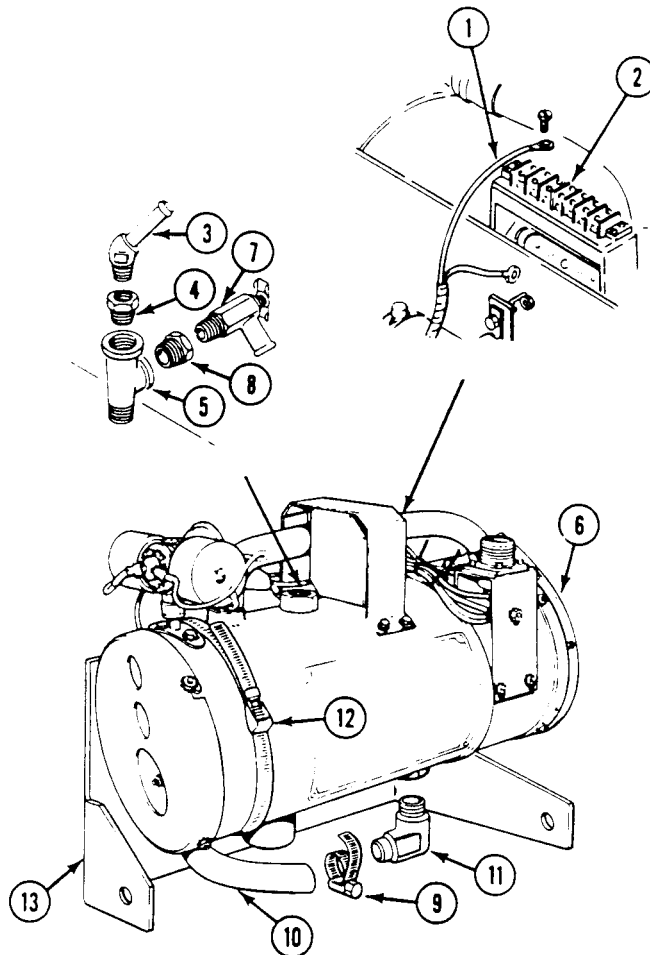
REMOVAL

1. Disconnect circuit 402B lead (1) from heater terminal strip (2).
2. Remove elbow (3), bushing (4), and tee (5) from heater (6).
3. Remove shut off valve (7) and bushing (8) from tee (5).
4. Loosen clamp (9). Remove pump-to-heater hose (10) from elbow (11).
5. Remove elbow (11) from heater (6).
6. Loosen clamps (12). Remove heater (6) from bracket (13).

INSPECTION-ACCEPTANCE AND REJECTION CRITERIA

1. Check coolant heater and components. See troubleshooting (WP 0089 00). Replace bad heater or components (WP 0730 00) or (WP 0734 00).

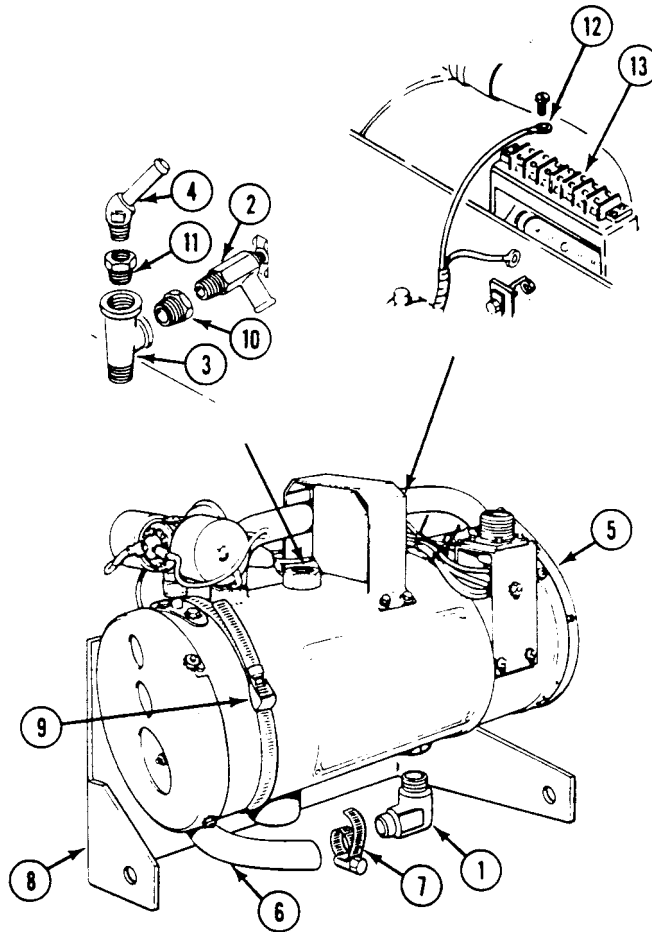
2. Check coolant heater. Replace cracked, damaged, or leaky heater. Replace heater that shows burn-through.



INSTALLATION

1. Apply sealing compound to threads of elbow (1), shut off valve (2), tee (3), elbow (4), and bushings (10)(11).
2. Install elbow (1) in heater (5).
3. Install hose (6) on elbow (1). Secure with clamp (7).
4. Install heater (5) on bracket (8). Secure with two clamps (9).
5. Install bushing (10) in tee (3).
6. Install shut off valve (2) in bushing (10).
7. Install tee (3) in heater (5).
8. Install bushing (11) in tee (3).
9. Install elbow (4) in bushing (11).

10. Connect circuit 402B lead (12) to terminal strip (13).



FOLLOW-THROUGH STEPS

1. Install coolant heater and pump unit (WP 0728 00).

END OF TASK

REPLACE IGNITER**0730 00****THIS WORK PACKAGE COVERS:**

Removal (page 0730 00-1).
 Inspection (page 0730 00-2).
 Installation (page 0730 00-2).

INITIAL SETUP:Maintenance Level

Unit

References

See your -10

Tools and Special Tools

General Mechanic's Tool Kit (WP 0926 00, Item 65)

Materials/Parts

Gasket
 Lockwasher

Personnel Required

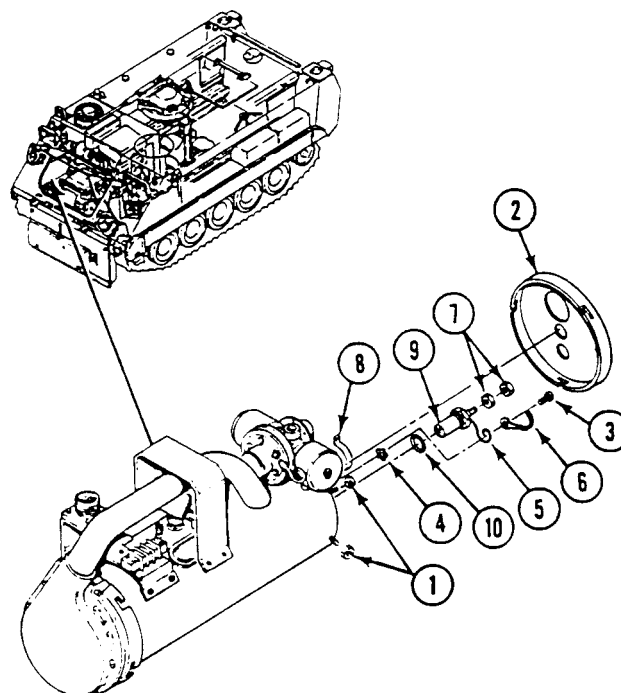
Unit Mechanic

Equipment Condition

Engine stopped (see your -10)
 Carrier blocked (see your -10)
 Trim vane lowered (see your -10)
 Power plant access door open (see your -10)
 Battery ground strap disconnected (WP 0337 00),
 (WP 0338 00), or (WP 0339 00)
 Air cleaner removed (WP 0168 00)

REMOVAL

1. Loosen four nuts (1). Turn cover plate (2) to the left and remove.
2. Remove screw (3), lockwasher (4), igniter ground lead (5), and ground strap (6) from coolant heater. Discard lockwasher.
3. Remove two nuts (7) and resistor strap (8) from igniter (9). Bend strap out of way.
4. Remove igniter (9) and gasket (10) from heater. Discard gasket.

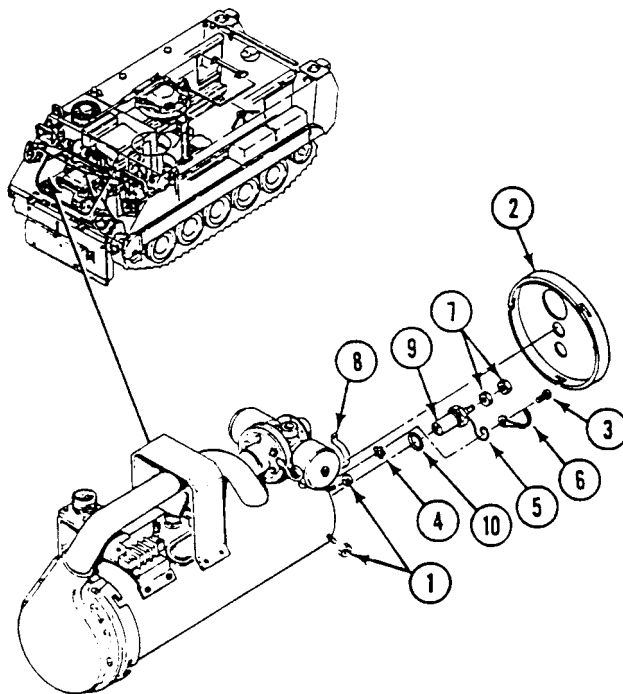


INSPECTION-ACCEPTANCE AND REJECTION CRITERIA

1. Check ground strap. Replace igniter if strap is worn or broken.

INSTALLATION

1. Install new gasket (10) and igniter (9) in heater.
2. Place resistor strap (8) on igniter (9). Secure with two nuts (7).
3. Place ground strap (6) and igniter ground lead (5) on coolant heater. Secure with new lockwasher (4) and screw (3).
4. Place cover plate (2) on end of heater. Turn cover to right and secure with four nuts (1).

**FOLLOW-THROUGH STEPS**

1. Install air cleaner (WP 0168 00).
2. Connect battery ground strap (WP 0337 00), (WP 0338 00), or (WP 0339 00).
3. Start heater (see your -10). Check that igniter works right. Turn heater off.
4. Close power plant access door (see your -10).
5. Raise trim vane (see your -10).

END OF TASK

REPLACE COOLANT HEATER PUMP

0731 00

THIS WORK PACKAGE COVERS:

- Removal (page 0731 00-1).
- Installation (page 0731 00-2).

INITIAL SETUP:

Maintenance Level

Unit

References

See your -10

Tools and Special Tools

General Mechanic's Tool Kit (WP 0926 00, Item 65)

Equipment Condition

- Engine stopped (see your -10)
- Carrier blocked (see your -10)
- Trim vane lowered (see your -10)
- Power plant access door open (see your -10)
- Carrier cooling system drained (WP 0227 00)
- Coolant heater system drained (WP 0710 00)
- Battery ground strap disconnected (WP 0337 00), (WP 0338 00), or (WP 0339 00)
- Coolant heater and pump unit removed (WP 0728 00)

Materials/Parts

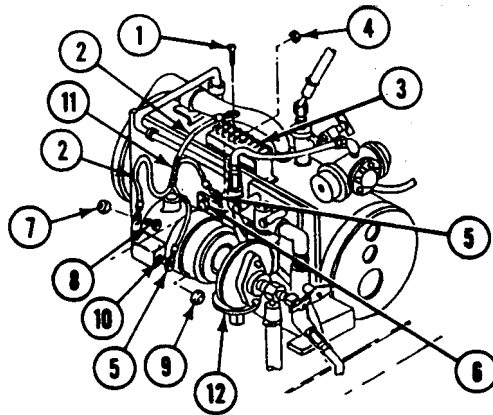
- Sealing compound (WP 0928 00, Item 56)
- Lockwasher

Personnel Required

Unit Mechanic

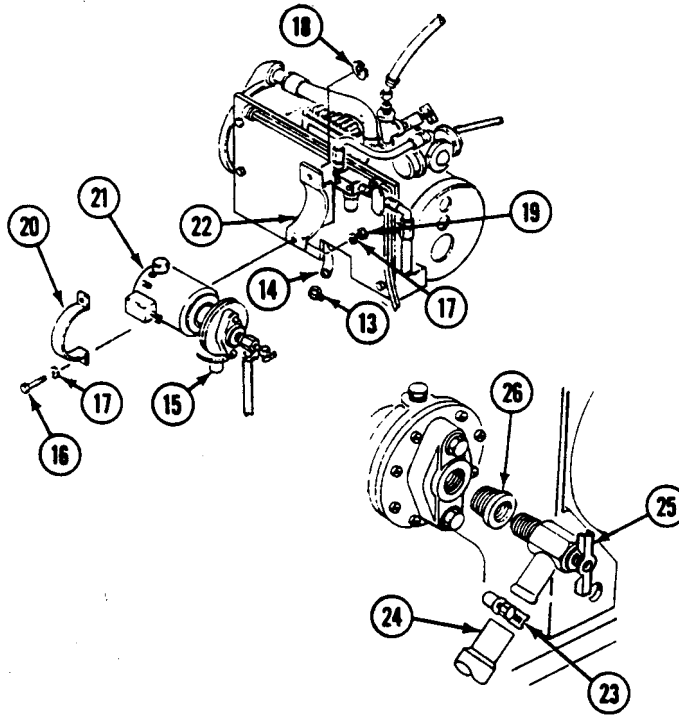
REMOVAL

1. Remove screw (1) and circuit lead 402B (2) from terminal strip (3).
2. Remove nut (4) and ground lead (5) from pump mounting screw (6).
3. Remove nut (7) and circuit 402B lead (2) from pump terminal (8).
4. Remove nut (9) and ground lead (5) from pump terminal (10).
5. Remove wiring harness (11) from pump (12).



6. Loosen clamp (13). Remove hose (14) from elbow (15).
7. Remove two screws (16), three washers (17), lockwasher (18), nut (19), retaining strap (20), and pump (21) from support bracket (22). Discard lockwasher.
8. Remove elbow (15) from pump (21).
9. Loosen clamp (23). Remove hose (24) from shutoff valve (25).

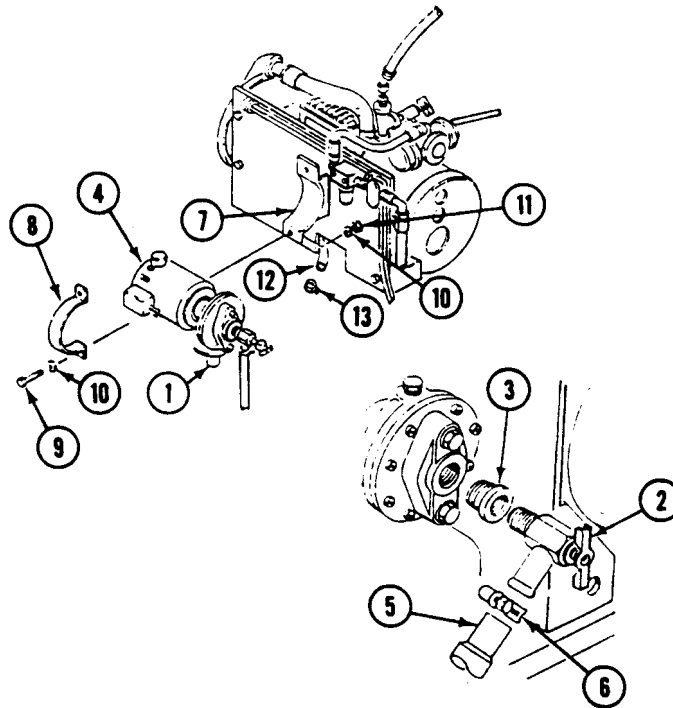
10. Remove shutoff valve (25) from pump (21).
11. Remove bushing (26) from pump (21).



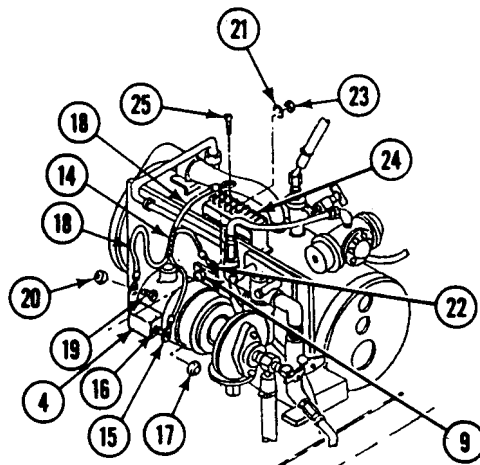
INSTALLATION

1. Apply sealing compound to threads of elbow (1), shutoff valve (2), and bushing (3).
2. Install bushing (3) in coolant pump (4).
3. Install shutoff valve (2) in bushing (3).
4. Install hose (5) on shutoff valve (2). Secure with clamp (6).
5. Install elbow (1) in coolant pump (4).
6. Install pump (4) on bracket (7). Secure with retaining strap (8), two screws (9), three washers (10), and nut (11).

7. Install hose (12) on elbow (1). Secure with clamp (13).



8. Install wiring harness (14) on pump (4).
9. Install ground lead (15) on pump terminal (16). Secure with nut (17).
10. Install circuit 402B lead (18) on pump terminal (19). Secure with nut (20).
11. Install new lockwasher (21) and ground lead (22) on upper pump screw (9). Secure with nut (23).
12. Install circuit 402B lead (18) on terminal strip (24). Secure with screw (25).



FOLLOW-THROUGH STEPS

1. Install coolant heater and pump unit(WP 0728 00).
2. Connect battery ground strap (WP 0337 00), (WP 0338 00), or (WP 0339 00).
3. Fill carrier cooling system (WP 0227 00).
4. Fill coolant heater system (WP 0710 00).
5. Start coolant heater (see your -10). Check for leaks. Turn heater off.
6. Close power plant access door (see your -10).
7. Raise trim vane (see your -10).

END OF TASK

REPLACE COOLANT HEATER AND COOLANT PUMP BRACKET

0732 00

THIS WORK PACKAGE COVERS:

- Removal (page 0732 00-1).
- Installation (page 0732 00-1).

INITIAL SETUP:

Maintenance Level

Unit

Tools and Special Tools

General Mechanic's Tool Kit (WP 0926 00, Item 65)

Personnel Required

Unit Mechanic

Equipment Condition

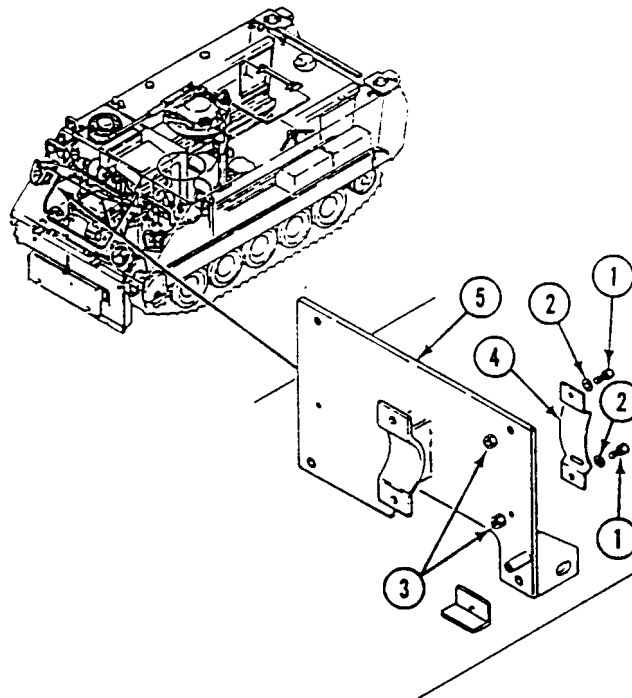
- Engine stopped (See your -10)
- Carrier blocked (See your -10)
- Coolant heater and pump unit removed (WP 0728 00)
- Coolant heater removed (WP 0729 00)
- Coolant pump removed (WP 0731 00)

REMOVAL

1. Remove four screws (1), washers (2), nuts (3), and two heater saddle mounts (4) from bracket (5).

INSTALLATION

1. Install saddle mounts (4) on bracket (5). Secure with four nuts (3), washers (2), and screws (1).



FOLLOW-THROUGH STEPS

1. Install coolant pump (WP 0731 00).
2. Install coolant heater (WP 0729 00).
3. Install coolant heater and pump unit (WP 0728 00).

END OF TASK

REPLACE COOLANT PUMP TO HEATER WIRING HARNESS

0733 00

THIS WORK PACKAGE COVERS:

- Removal (page 0733 00-1).
- Inspection and Repair (page 0733 00-2).
- Installation (page 0733 00-2).

INITIAL SETUP:

Maintenance Level

Unit

Equipment Condition

- Engine stopped (see your -10)
- Carrier blocked (see your -10)
- Trim vane lowered (see your -10)
- Power plant access door opened (see your -10)
- Battery ground strap disconnected (WP 0337 00), (WP 0338 00), or (WP 0339 00)
- Coolant heater and pump unit removed (WP 0728 00)

Tools and Special Tools

- General Mechanic's Tool Kit (WP 0926 00, Item 65)
- Multimeter (WP 0926 00, Item 30)

Personnel Required

Unit Mechanic

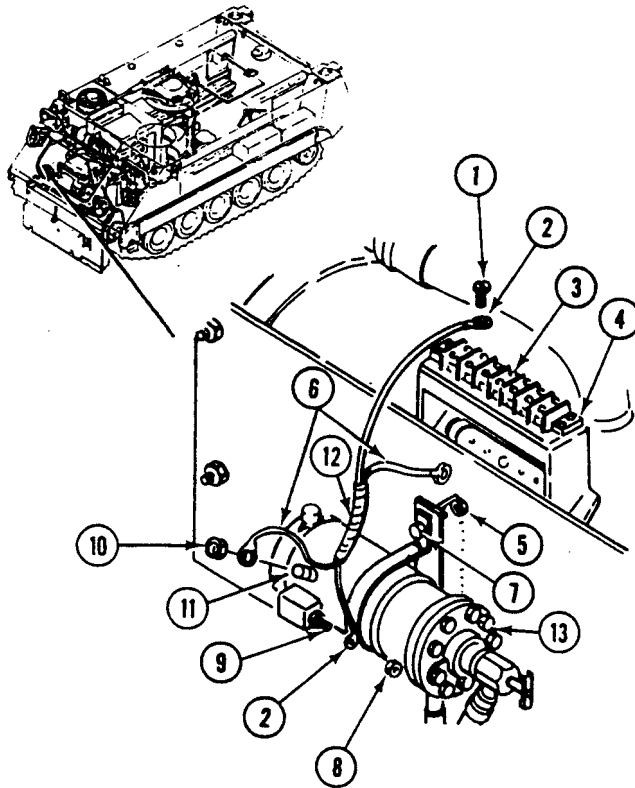
References

See your -10

REMOVAL

1. Remove screw (1) and circuit lead (2) from terminal 4 (3) of heater terminal strip (4).
2. Remove nut (5) and ground lead (6) from coolant pump mount screw (7).
3. Remove nut (8) and circuit 402B lead (2) from coolant pump terminal (9).

4. Remove nut (10) and ground lead (6) from coolant pump terminal (11). Remove wiring harness (12) from pump (13).



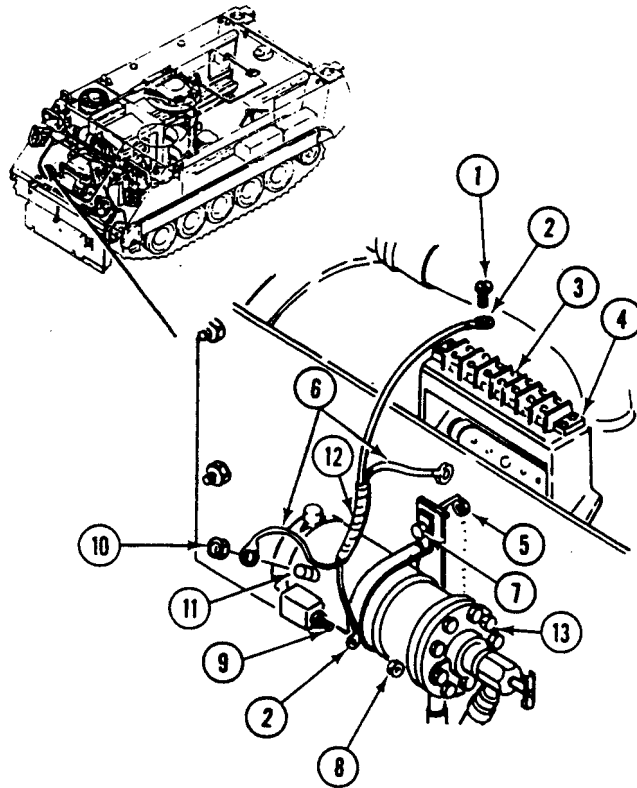
INSPECTION-ACCEPTANCE AND REJECTION CRITERIA

1. Check wiring harness continuity. Check leads for frayed or broken insulation or damaged terminal lugs. Repair harness as needed (WP 0382 00).

INSTALLATION

1. Place wiring harness (12) on coolant pump (13). Install ground lead (6) and nut (10) on pump terminal (11).
2. Install circuit 402B lead (2) and nut (8) on pump terminal (9).
3. Install ground lead (6) and nut (5) on coolant pump mount screw (7).

4. Install circuit 402B lead (2) and screw (1) on terminal 4 (3) of terminal strip (4).



FOLLOW-THROUGH STEPS

1. Install coolant heater and pump unit (WP 0728 00).
2. Connect battery ground strap (WP 0337 00), (WP 0338 00), or (WP 0339 00).
3. Start coolant heater (see your -10). Check that wiring harness is installed right. Turn heater off.
4. Close power plant access door (see your -10).
5. Raise trim vane (see your -10).

END OF TASK

REPLACE FLAME DETECTOR SWITCH

0734 00

THIS WORK PACKAGE COVERS:

- Removal (page 0734 00-1).
- Inspection and Repair (page 0734 00-1).
- Installation (page 0734 00-2).

INITIAL SETUP:

Maintenance Level

Unit

Personnel Required

Unit Mechanic

Tools and Special Tools

General Mechanic's Tool Kit (WP 0926 00, Item 65)

Equipment Condition

Coolant heater and pump unit removed (WP 0728 00)

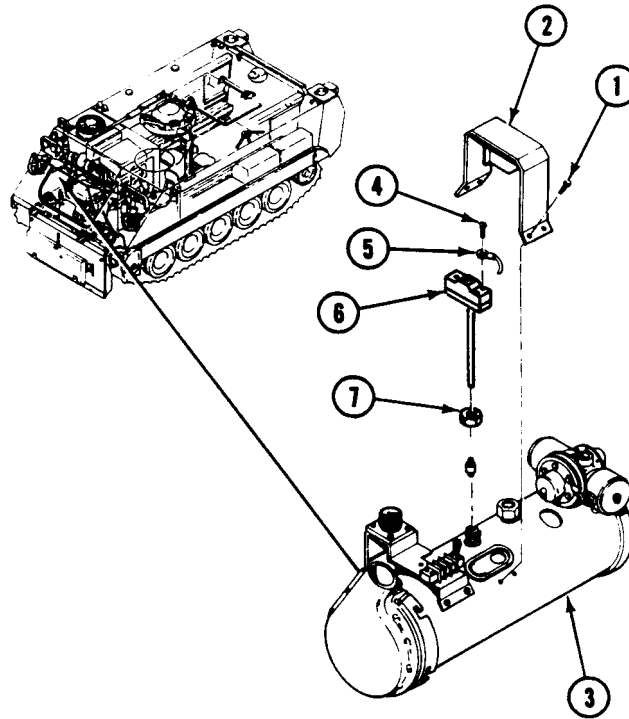
REMOVAL

1. Remove four screws (1) and guard (2) from heater (3).

NOTE

Tag all leads before removal.

2. Remove five screws (4) and leads (5) from flame detector switch (6).
3. Loosen nut (7) on switch (6). Pull switch straight out from heater (3).



INSPECTION-ACCEPTANCE AND REJECTION CRITERIA

1. Check leads and connectors. Replace worn leads and damaged connectors (WP 0382 00).

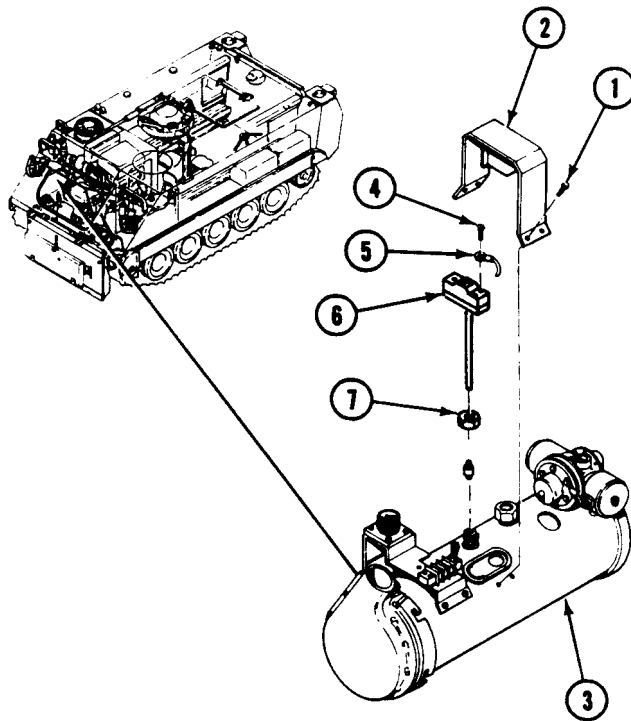
INSTALLATION

1. Install flame detector switch (6) in heater (3). Secure with nut (7) on switch.

NOTE

Check tags on leads to make sure of proper connections.

2. Place five leads (5) on switch (6). Secure with five screws (4).
3. Place guard (2) on heater (3). Secure with four screws (1).

**FOLLOW-THROUGH STEPS**

1. Install coolant heater and pump unit (WP 0728 00).
2. Start heater (see your -10). Check that flame detector switch works right. Turn heater off.

END OF TASK

REPLACE COOLANT HEATER WIRING HARNESS

0735 00

THIS WORK PACKAGE COVERS:

Removal (page 0735 00-1).
 Installation (page 0735 00-4).

INITIAL SETUP:

Maintenance Level

Unit

Equipment Condition

Engine stopped (see your -10)
 Carrier blocked (see your -10)
 Trim vane lowered (see your -10)
 Power plant access door opened (see your -10)
 Battery ground strap disconnected (WP 0337 00),
 (WP 0338 00), or (WP 0339 00)
 Coolant heater and pump unit removed (WP 0728 00)

Tools and Special Tools

General Mechanic's Tool Kit (WP 0926 00, Item 65)

Materials/Parts

Tie down strap (2)

Personnel Required

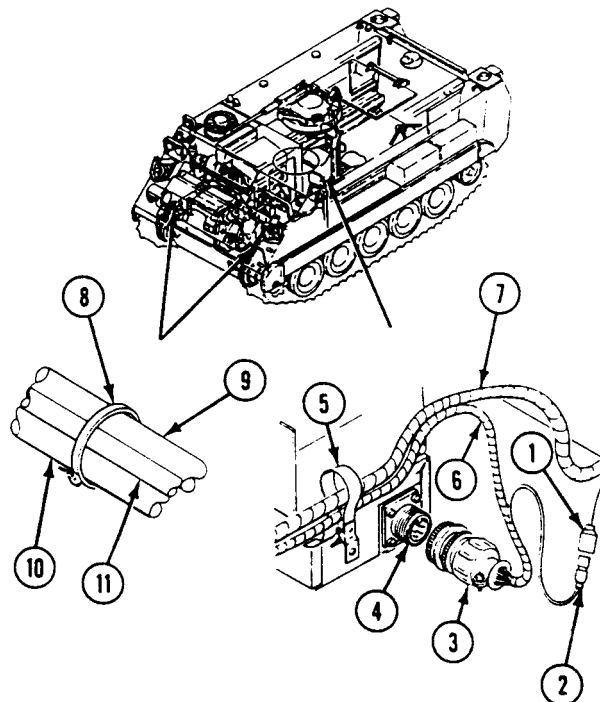
Unit Mechanic

References

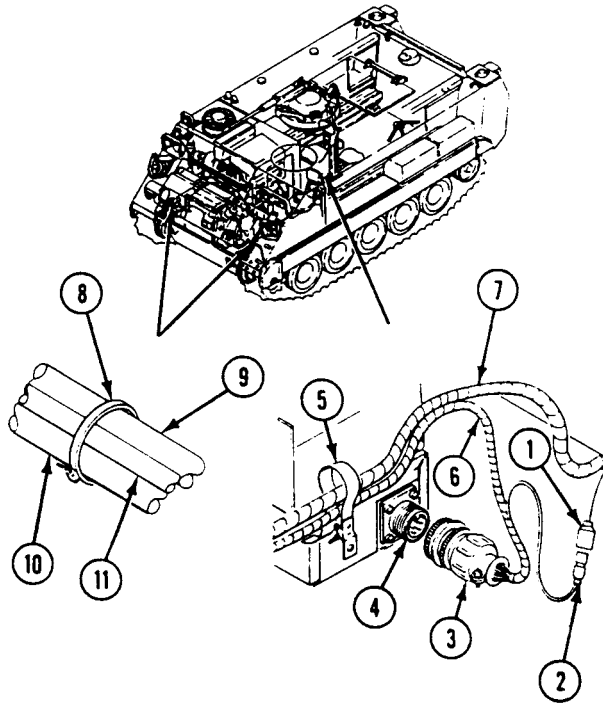
See your -10

REMOVAL

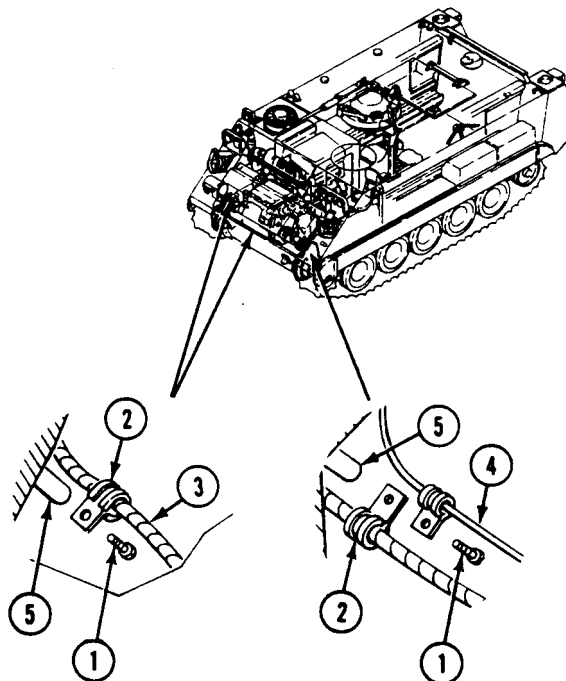
1. Disconnect main wiring harness 402A lead (1) from coolant heater wiring harness lead (2).
2. Disconnect control box connector (3) from control box receptacle (4).
3. Remove eight line straps (5) securing coolant heater wiring harness (6) to main wiring harness (7).



4. Remove two tie down straps (8) securing coolant pump hose (9) to two wiring harnesses (10)(11). Discard straps.



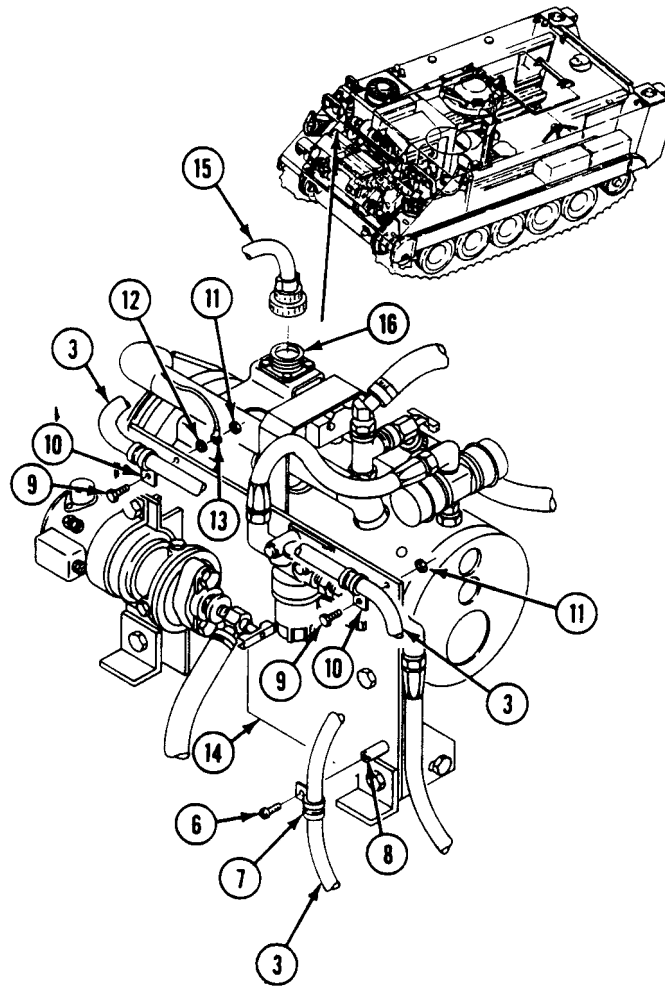
5. Remove five screws (1) and clamps (2) securing coolant heater wiring harness (3) and coolant heater fuel line (4) to weldnuts (5).



REPLACE COOLANT HEATER WIRING HARNESS — Continued

0735 00

6. Remove screw (6) and clamp (7) securing coolant heater wiring harness (3) to mounting bracket weldnut (8).
7. Remove two screws (9), clamps (10), nuts (11), and washer (12) securing coolant heater wiring harness (3) and terminal ground lead (13) to mounting bracket (14).
8. Disconnect coolant heater connector (15) from coolant heater receptacle (16).



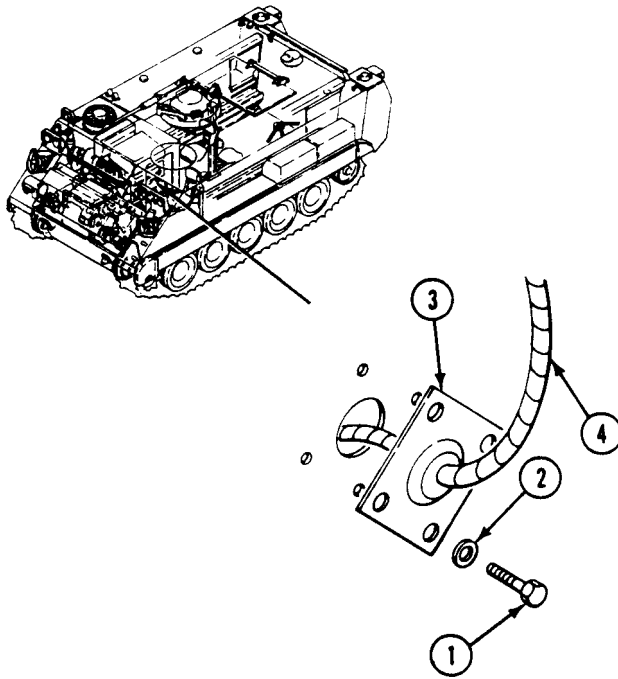
REPLACE COOLANT HEATER WIRING HARNESS — Continued

0735 00

9. Remove four screws (1), washers (2), harness plate (3), and coolant heater wiring harness (4) from driver's compartment bulkhead.

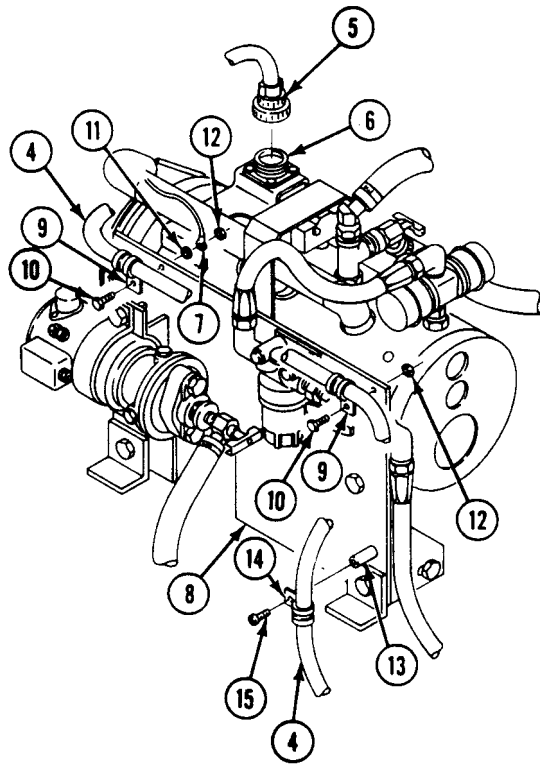
INSTALLATION

1. Thread terminal ground lead and coolant heater connector of wiring harness (4) through driver's compartment bulkhead opening.
2. Install wiring harness plate (3) to driver's compartment bulkhead. Secure with four washers (2) and screws (1).

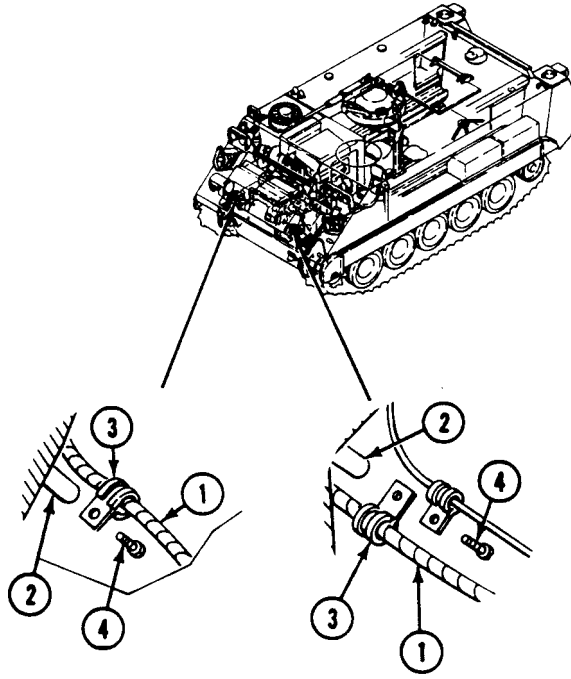


3. Route coolant heater wiring harness along front of power plant compartment to coolant heater. Connect coolant heater connector (5) to coolant heater receptacle (6).
4. Install coolant heater wiring harness (4) and terminal ground lead (7) to mounting bracket (8). Secure with two clamps (9), screws (10), washer (11), and nuts (12).

5. Install coolant heater wiring harness (4) to mounting bracket weldnut (13). Secure with clamp (14) and screw (15).

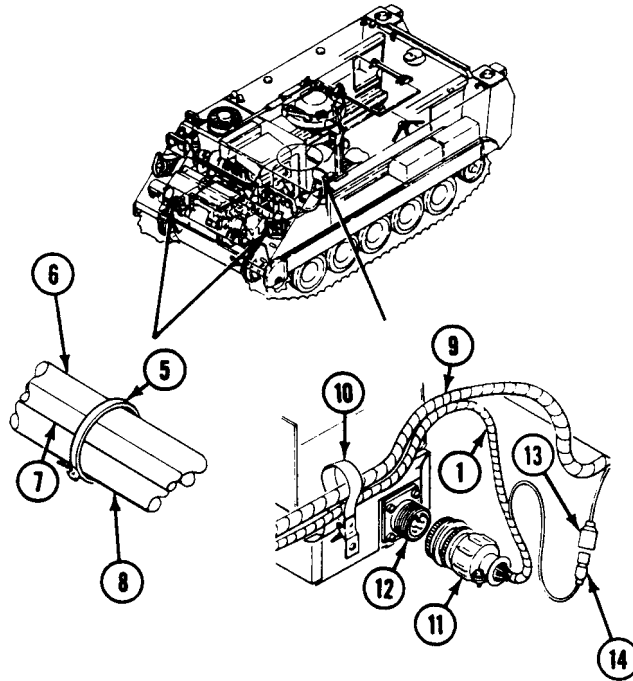


6. Install coolant heater wiring harness (1) to five weldnuts (2). Secure with five clamps (3) and screws (4).



7. Install two new tie down straps (5) securing coolant pump hose (6) to two wiring harnesses (7)(8).
8. Secure coolant heater wiring harness (1) to main wiring harness (9) with eight line straps (10).
9. Connect control box connector (11) to control box receptacle (12).

10. Connect main wiring harness 402A lead (13) to coolant heater wiring harness lead (14).



FOLLOW-THROUGH STEPS

1. Install coolant heater and pump unit (WP 0728 00).
2. Connect battery ground strap (WP 0337 00), (WP 0338 00), or (WP 0339 00).
3. Close power plant access door (see your -10).
4. Raise trim vane (see your -10).

END OF TASK

REPLACE COOLANT HEATER CONTROL BOX

0736 00

THIS WORK PACKAGE COVERS:

- Removal (page 0736 00-1).
- Inspection and Repair (page 0736 00-2).
- Installation (page 0736 00-2).

INITIAL SETUP:

Maintenance Level

Unit

References

See your -10

Tools and Special Tools

General Mechanic's Tool Kit WP 0926 00, Item 65

Equipment Condition

Engine stopped (see your -10)

Carrier blocked (see your -10)

Materials/Parts

Lockwasher (2)

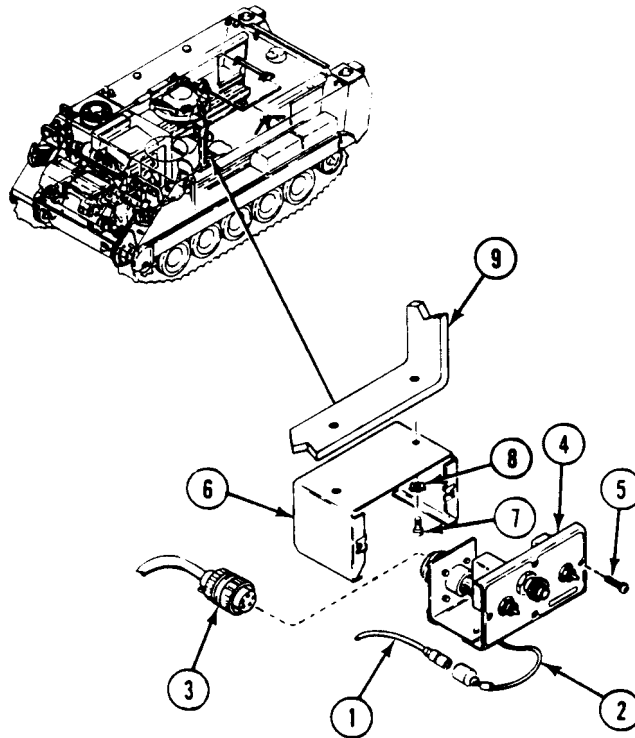
Battery ground strap disconnected (WP 0337 00),
(WP 0338 00), or (WP 0339 00)

Personnel Required

Unit Mechanic

REMOVAL

1. Disconnect circuit 400A lead (1) from heater control box lead (2).
2. Disconnect heater wiring harness (3) from heater control box (4).
3. Remove two screws (5) and control box (4) from control box case (6).
4. Remove two screws (7), lockwashers (8), and case (6) from support bracket (9). Discard lockwashers.

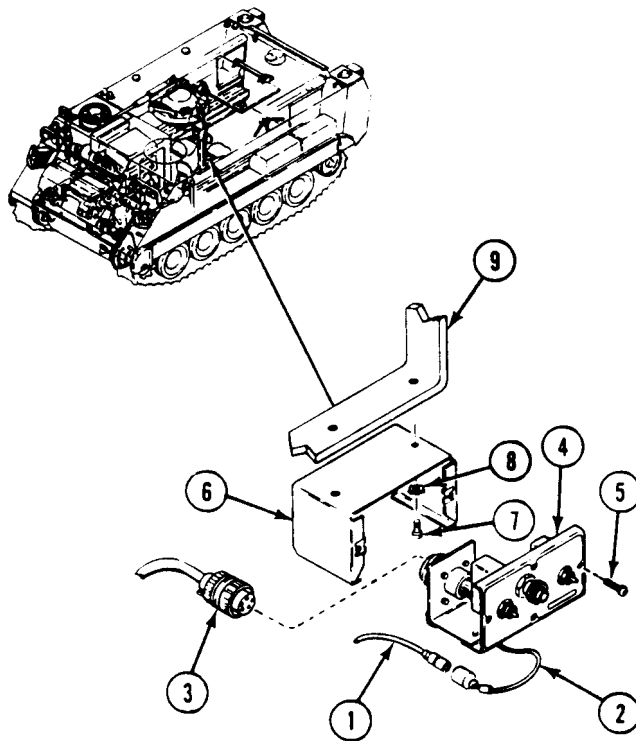


INSPECTION-ACCEPTANCE AND REJECTION CRITERIA

1. Check control box and components. See troubleshooting (WP 0089 00). Replace bad control box or components (WP 0737 00).

INSTALLATION

1. Place control box case (6) on support bracket (9). Secure with two new lockwashers (8) and screws (7).
2. Install heater control box (4) in case (6). Secure with two screws (5).
3. Connect heater wiring harness (3) to control box (4).
4. Connect circuit 400A lead (1) to control box lead (2).

**FOLLOW-THROUGH STEPS**

1. Connect battery ground strap (WP 0337 00), (WP 0338 00), or (WP 0339 00).
2. Start heater (see your -10). Check that heater control box works right. Turn heater off.

END OF TASK

REPAIR COOLANT HEATER CONTROL BOX

0737 00

THIS WORK PACKAGE COVERS:

- Disassembly (page 0737 00-1).
- Inspection and Repair (page 0737 00-6).
- Assembly (page 0737 00-7).

INITIAL SETUP:

Maintenance Level

Unit

Personnel Required

Unit Mechanic

Tools and Special Tools

- General Mechanic's Tool Kit (WP 0926 00, Item 65)
- Multimeter (WP 0926 00, Item 30)

References

See your -10

Materials/Parts

Lockwasher (9)

Equipment Condition

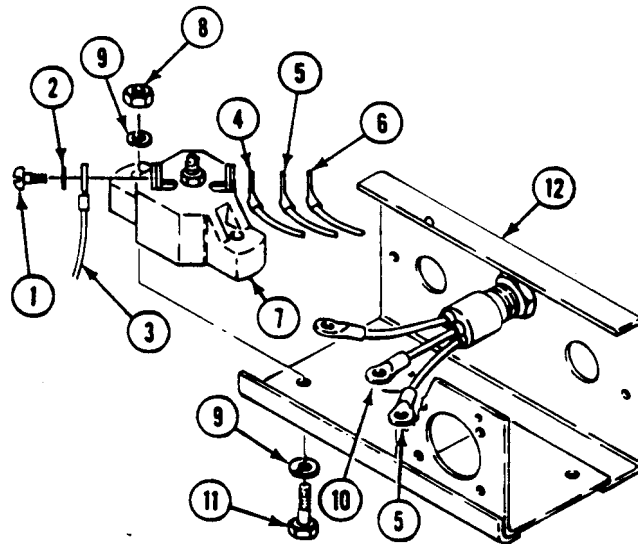
Heater control box removed (WP 0736 00)

DISASSEMBLY

NOTE

Tag all electrical leads before removing.

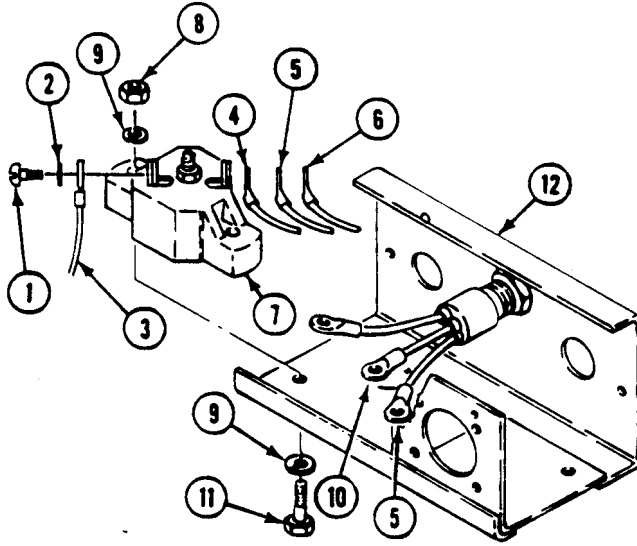
1. Remove circuit breaker from control box:
 - a. Remove two screws (1), lockwashers (2), lead 16 (3) from one terminal, and lead 17-D (4), lead 17-3 (5), and jumper 15-17 (6) from other terminal on circuit breaker (7).
 - b. Remove two nuts (8), four lockwashers (9), ground lead (10), two screws (11), and circuit breaker (7) from control box (12). Discard lockwashers.



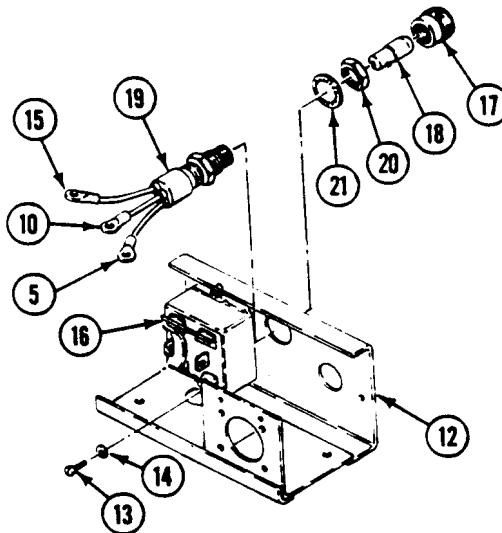
REPAIR COOLANT HEATER CONTROL BOX — Continued

0737 00

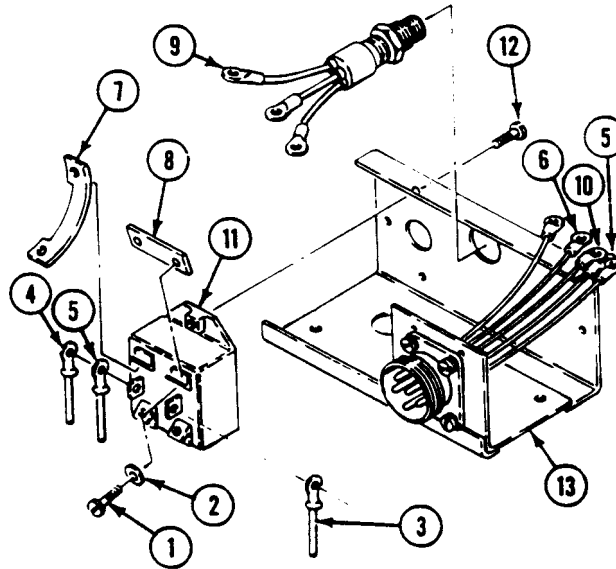
2. Remove indicator light assembly from control box:
 - a. Remove nut (8), lockwasher (9), and ground lead (10) from circuit breaker (7) mounting screw (11). Discard lockwasher.
 - b. Remove screw (1), lockwasher (2), and lead 17-3 (5) from circuit breaker (7).



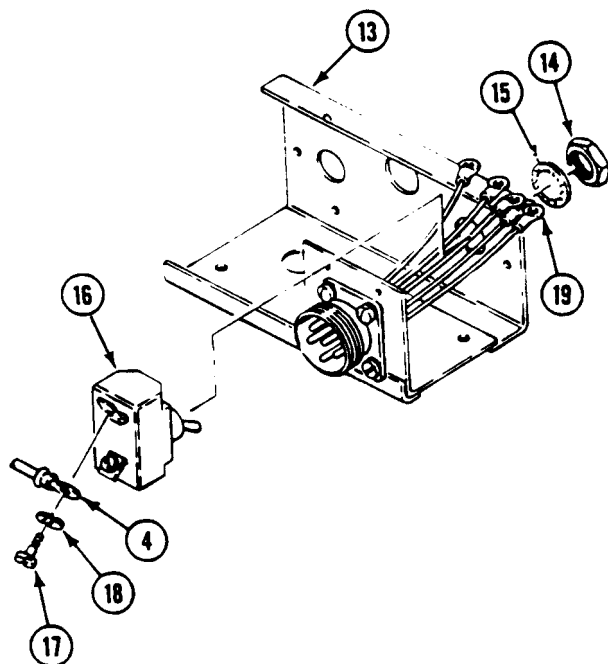
- c. Remove screw (13), lockwasher (14), and lead 19-2 (15) from RUN-OFF-START switch (16).
 - d. Unscrew cap (17) and remove bulb (18) from light assembly (19).
 - e. Remove nut (20), lockwasher (21), and light assembly (19) from control box (12).



3. Remove RUN-OFF-START switch from control box:
 - a. Remove six screws (1), lockwashers (2), jumper 15-17 (3), jumper 13-20 (4), lead 20-C (5), lead 14-A (6), jumper 21-18 (7), jumper 21-14 (8), lead 19-2 (9), and lead 19-E (10) from RUN-OFF-START switch (11).
 - b. Remove two screws (12) and RUN-OFF-START switch (11) from control box (13).



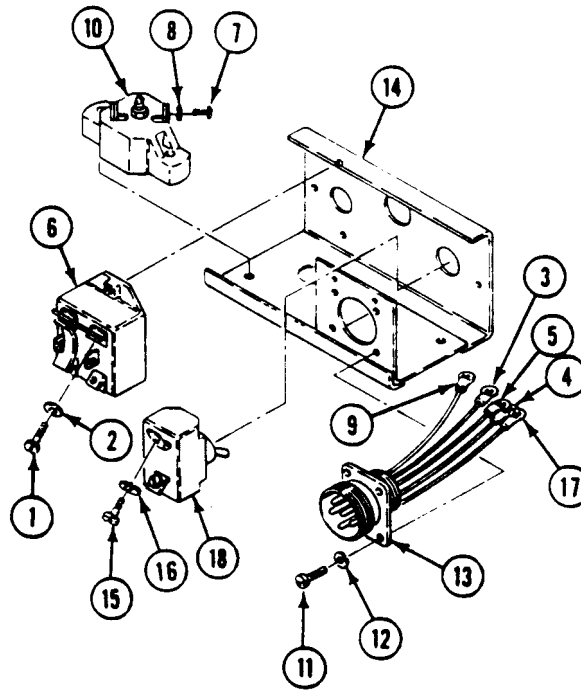
4. Remove HI-LO heat switch from control box:
 - a. Remove nut (14), lockwasher (15), instruction plate (if applicable), and HI-LO switch (16) from control box (13). Discard lockwasher.
 - b. Remove two screws (17), lockwashers (18), jumper 13-20 (4), and lead 12-B (19) from HI-LO switch (16).



REPAIR COOLANT HEATER CONTROL BOX — Continued

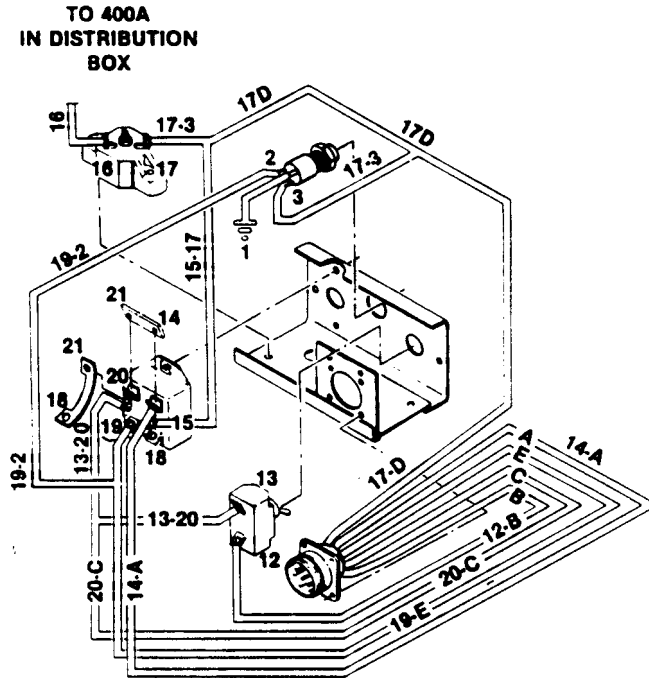
0737 00

5. Remove receptacle from control box as follows:
 - a. Remove three screws (1), lockwashers (2), lead 14-A (3), lead 20-C (4), and lead 19-E (5) from RUN-OFF-START switch (6).
 - b. Remove screw (7), lockwasher (8), and lead 17-D (9) from circuit breaker (10).
 - c. Remove four screws (11), lockwashers (12), and receptacle (13) from control box (14). Discard lockwashers.
 - d. Remove screw (15), lockwasher (16), and lead 12-B (17) from HI-LO switch (18).



INSPECTION-ACCEPTANCE AND REJECTION CRITERIA

1. Check circuit breaker. See troubleshooting (WP 0089 00). Replace bad circuit breaker.
2. Check indicator light assembly and bulb. See troubleshooting (WP 0089 00). Replace bad light or bulb.
3. Check RUN-OFF-START switch and HI-LO switch. See troubleshooting (WP 0089 00). Replace bad switch.
4. Check receptacle for continuity from pins to lead ends. Replace damaged terminal lugs (WP 0382 00). If pins are damaged, notify supervisor.



ASSEMBLY

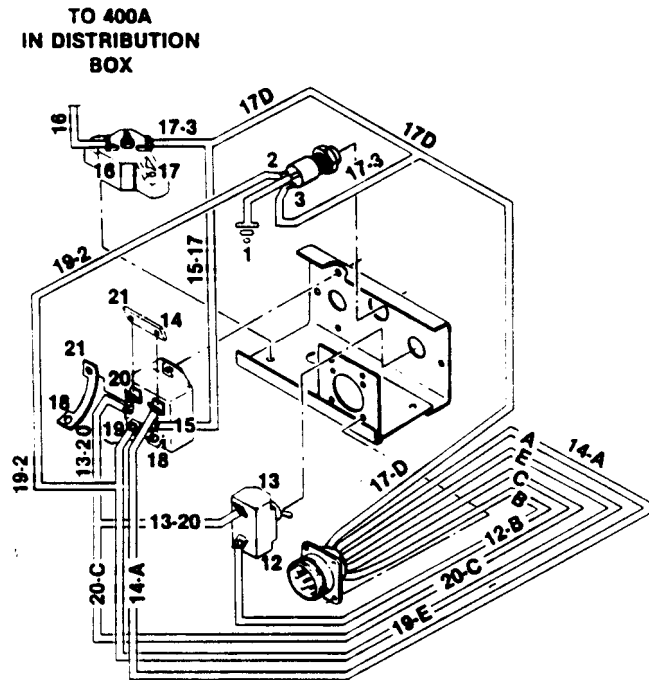
NOTE

Before connecting electrical leads, check tags and wiring diagram below to verify proper connection.

NOTE

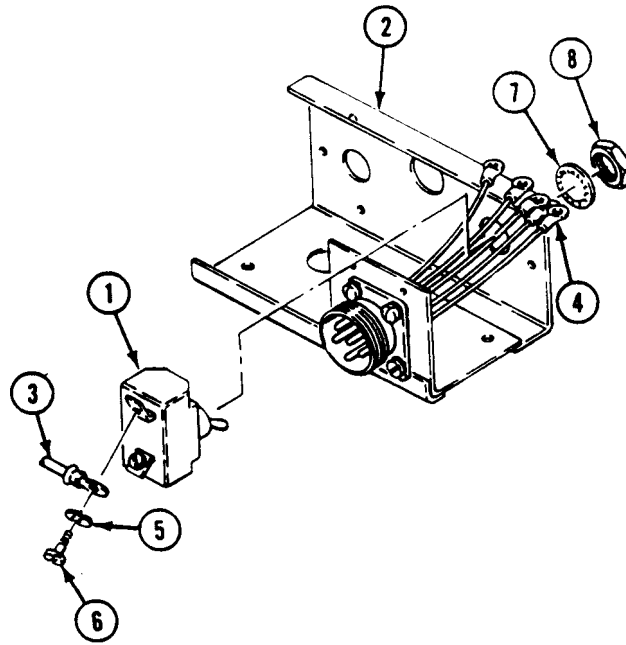
Make sure key in receptacle is at the top.

1. Install receptacle in control box:
 - a. Install receptacle (13) in control box (14). Secure with four new lockwashers (12) and screws (11).
 - b. Install lead 17-D (9) on circuit breaker (10). Secure with lockwasher (8) and screw (7).
 - c. Install lead 12-B (17) on HI-LO switch (18). Secure with lockwasher (16) and screw (15).
 - d. Install lead 19-E (5), lead 20-C (4), and lead 14-A (3) on RUN-OFF-START switch (6). Secure with three lockwashers (2) and screws (1).



NOTE**Switch is marked ON and OFF**

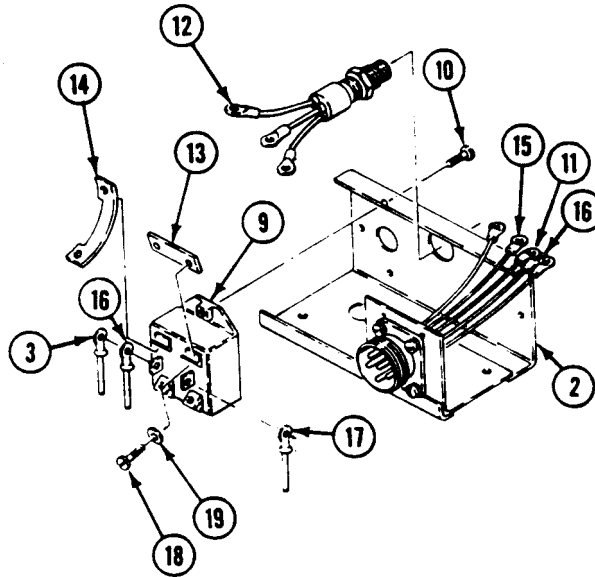
2. Install HI-LO heat switch in control box:
 - a. Install switch (1) in control box (2) with ON at the top.
 - b. Install jumper 13-20 (3) and lead 12-B (4) on switch (1). Secure with two lockwashers (5) and screws (6).
 - c. Install instruction plate on switch (if applicable). Secure plate and switch with new lockwasher (7) and nut (8).



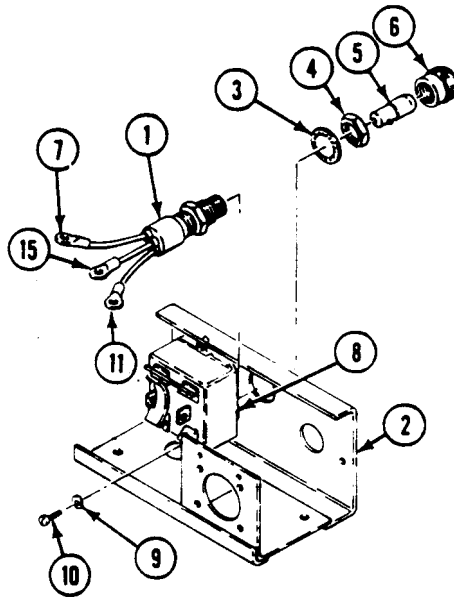
NOTE

Start switch has locked RUN position and spring-loaded START position.

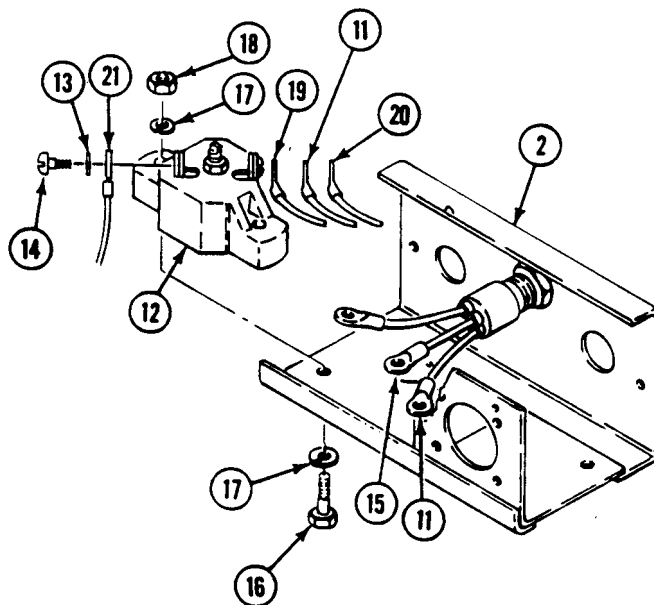
3. Install RUN-OFF-START switch in control box:
 - a. Install switch (9) in control box (2) with locked position at the top. Secure with two screws (10).
 - b. Install lead 19-E (11), lead 19-2 (12), jumper 21-14 (13), jumper 21-18 (14), lead 14-A (15), lead 20-C (16), jumper 13-20 (3), and jumper 15-17 (17) on RUN-OFF-START switch (9). Secure with six lockwashers (18) and screws (19).



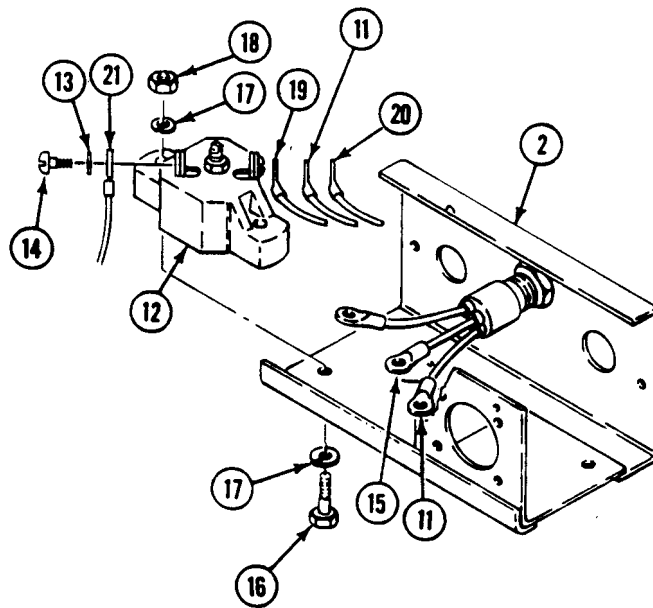
4. Install indicator light assembly in control box:
 - a. Install light assembly (1) in control box (2). Secure with lockwasher (3) and nut (4).
 - b. Install bulb (5) and cap (6) in light assembly (1).
 - c. Install lead 19-2 (7) on RUN-OFF-START switch (8). Secure with lockwasher (9) and screw (10).



- d. Install lead 17-3 (11) on circuit breaker (12). Secure with lockwasher (13) and screw (14).
 - e. Install ground lead (15) on circuit breaker (12) mounting screw (16). Secure with new lockwasher (17) and nut (18).



5. Install circuit breaker in control box:
 - a. Install circuit breaker (12) in control box (2). Secure with four new lockwashers (17), two screws (16), ground lead (15), and two nuts (18).
 - b. Install lead 17-D (19), lead 17-3 (11), and jumper 15-17 (20) on one terminal, and lead 16 (21) on other terminal of circuit breaker (12). Secure with two lockwashers (13) and screws (14).



FOLLOW-THROUGH STEPS

1. Install heater control box (WP 0736 00).

END OF TASK

REPLACE NON-SKID PLATES (M1064A3 ONLY)

0738 00

THIS WORK PACKAGE COVERS:

Removal (page 0738 00-1).
 Installation (page 0738 00-2).

INITIAL SETUP:

Maintenance Level

Unit

Personnel Required

Unit Mechanic

Tools and Special Tools

General Mechanic's Tool Kit (WP 0926 00, Item 65)

References

See your -10

Materials/Parts

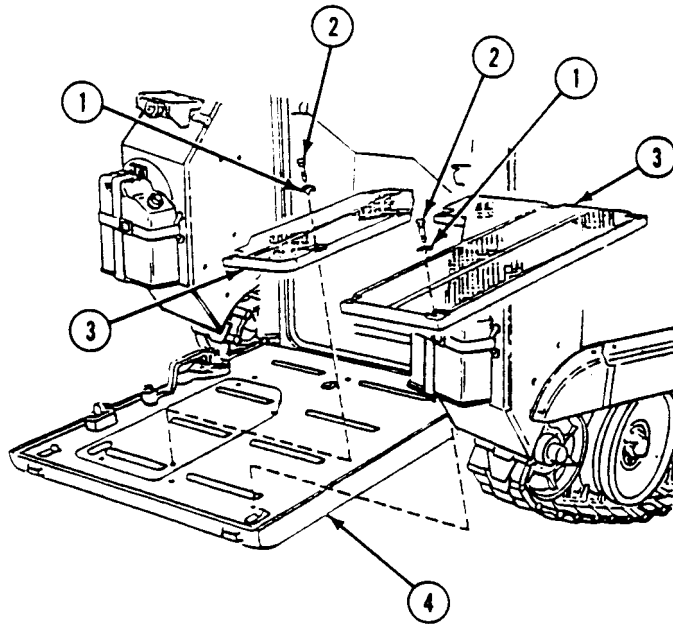
Key washer (9)

Equipment Condition

Engine stopped (see your -10)
 Carrier blocked (see your -10)
 Ramp lowered (see your -10)

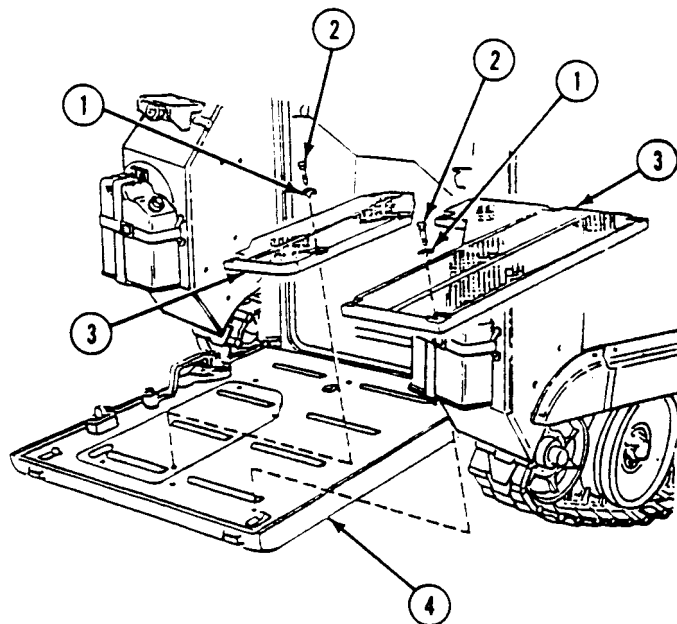
REMOVAL

1. Straighten tabs on nine key washers (1). Remove nine screws (2), key washers (1), and two non-skid plates (3) from ramp (4). Discard key washers.



INSTALLATION

1. Secure two non-skid plates (3) to ramp (4) with nine screws (2) and new key washers (1). Bend tabs on key washers to secure screws.

**FOLLOW-THROUGH STEPS**

1. Start engine (see your -10).
2. Raise and lock ramp (see your -10).
3. Stop engine (see your -10).

END OF TASK

REPLACE DRIVER'S WINDSHIELD

0739 00

THIS WORK PACKAGE COVERS:

Removal (page 0739 00-1).
 Installation (page 0739 00-2).

INITIAL SETUP:

Maintenance Level

Unit

References

See your -10

Tools and Special Tools

General Mechanic's Tool Kit WP 0926 00, Item 65

Equipment Condition

Engine stopped (see your -10)

Personnel Required

Unit Mechanic

Carrier blocked (see your -10)

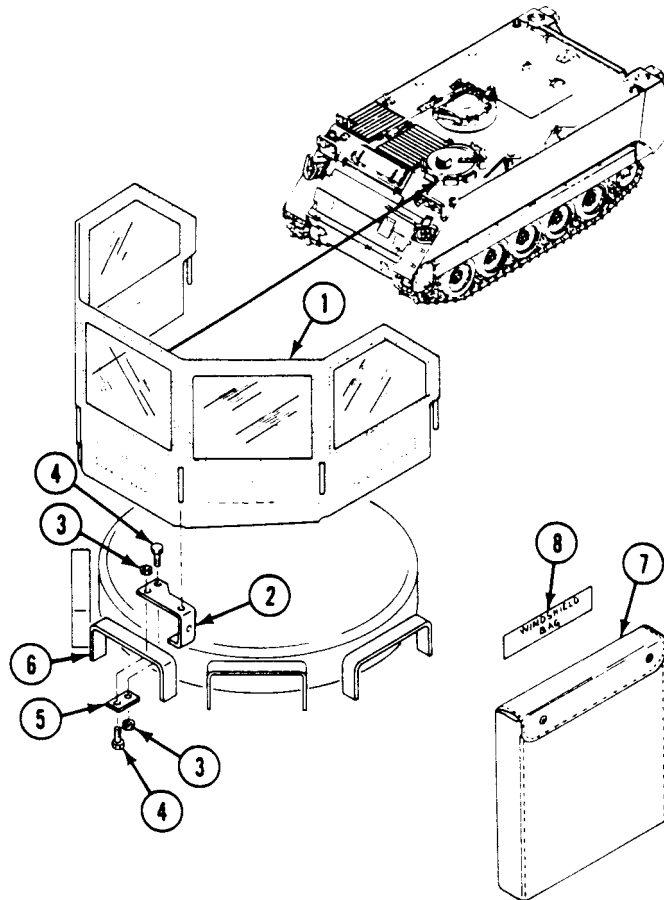
REMOVAL

CAUTION

Handle windshield carefully to avoid damage to windows. Do not fold windshield after use in extreme cold; windows will crack. Warm cold windshield before folding for stowage.

1. Lift windshield (1) out of five brackets (2).

2. Remove 10 nuts (3), screws (4), five brackets (2), and plates (5) from driver's hatch periscope guards (6).



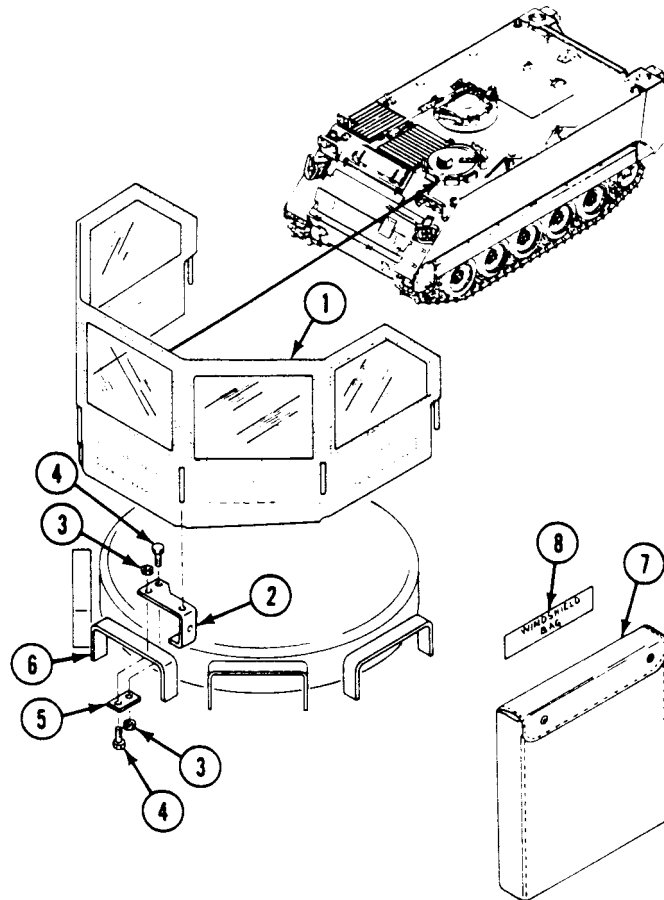
INSTALLATION

NOTE

Install the heads of outside screws down and the heads of inside screws up to prevent interference.

1. If windshield (1) is to be stowed, stow in bag (7). Stow bag at decal (8) location in carrier.
2. If windshield (1) is to be reinstalled, secure five brackets (2) and plates (5) to driver's hatch periscope guards (6) with 10 screws (4) and nuts (3).

3. Install windshield (1) in five brackets (2).



END OF TASK

REPLACE DRIVER'S WINDSHIELD STOWAGE BAG, STRAPS, AND DECAL

0740 00

THIS WORK PACKAGE COVERS:

- Removal (page 0740 00-1).
- Repair or replacement (page 0740 00-2).
- Installation (page 0740 00-2).

INITIAL SETUP:

Maintenance Level

Unit

References

See your -10

Tools and Special Tools

General Mechanic's Tool Kit (WP 0926 00, Item 65)

Equipment Condition

Engine stopped (see your -10)

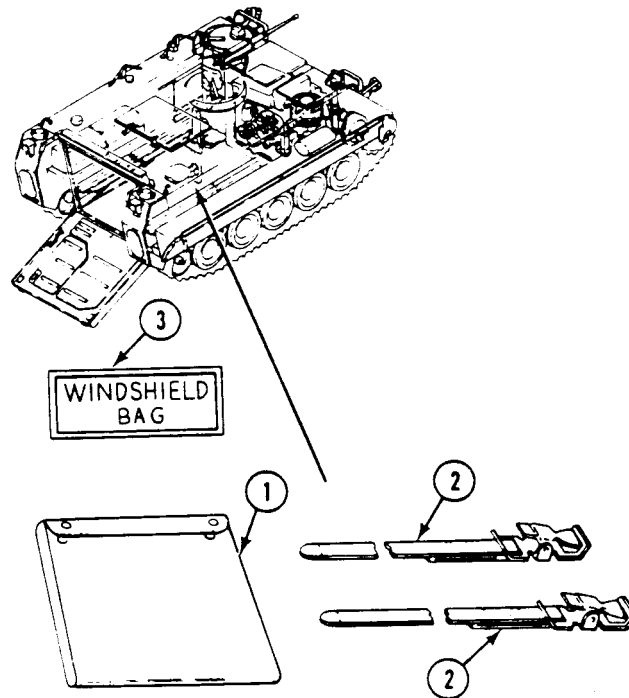
Personnel Required

Unit Mechanic

Carrier blocked (see your -10)

REMOVAL

1. Remove stowage bag (1) from bulkhead.
2. If replacing bag (1), remove windshield.
3. Remove straps (2) from stowage bag (1). Discard bag and/or straps.

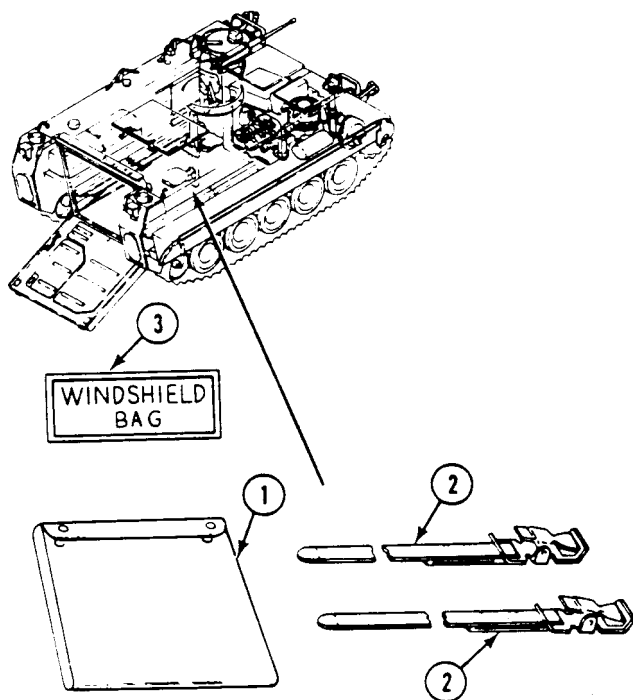


REPAIR OR REPLACEMENT

1. Check decal (3). Replace decal that can not be read (WP 0654 00).

INSTALLATION

1. Install new straps (2) through new stowage bag (1).
2. If removed, place windshield in stowage bag (1).
3. Attach stowage bag (1) to bulkhead at decal (3) location.

**END OF TASK**

INITIAL INSTALLATION OF LITTER KIT (M113A3 ONLY)

0741 00

THIS WORK PACKAGE COVERS:

Installation (page 0741 00-1).

INITIAL SETUP:

Maintenance Level

Unit

Tools and Special Tools

General Mechanic's Tool Kit (WP 0926 00, Item 65)

Personnel Required

Unit Mechanic

References

See your -10

Equipment Condition

Engine stopped (see your -10)

Carrier blocked (see your -10)

Ramp lowered (see your -10)

Commander's seat and post removed (WP 0560 00)

Personnel seats removed (WP 0546 00)

Right spall liners removed (WP 0504 00)

Left spall liners removed (WP 0505 00)

INSTALLATION

WARNING



Remove machine gun and all ammunition when operating M113A3 as a litter carrier. Display red cross symbol on exterior of carrier.

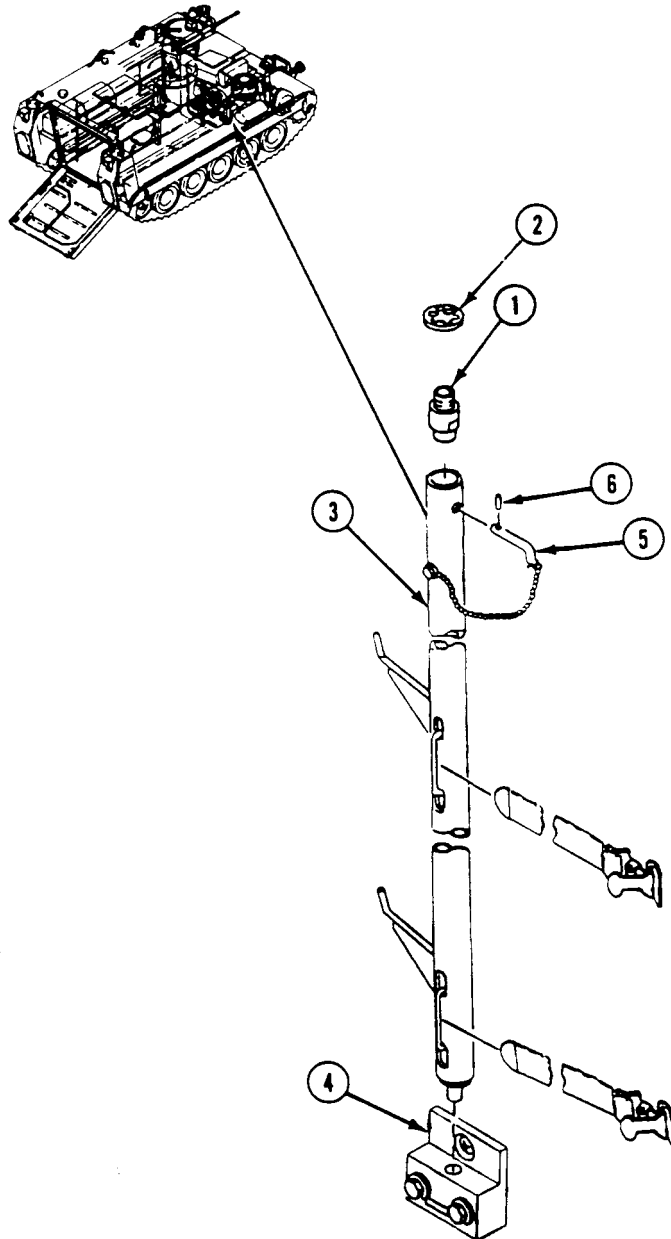
NOTE

Spall liners and personnel seats must be returned to stock or stored for future use.

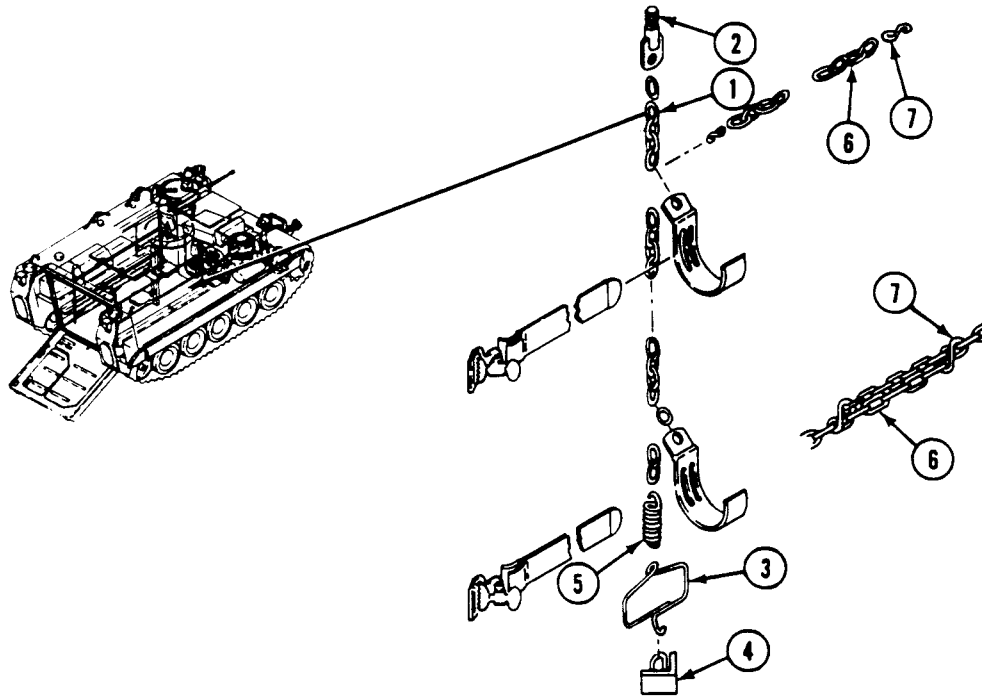
All four posts and chain assemblies are installed in the same way.

1. Install upper post pin (1) and lockwasher (2) into hull ceiling.

2. Place top of post (3) under pin (1). Lift post as far as it will go.
3. Lower bottom of post (3) into sponson mount (4).
4. Install retainer pin (5) in post (3). Turn pin down.
5. Install spring pin (6) into end of retainer pin (5) and secure.



6. Suspend four chain assemblies (1) by installing four hangers (2) in hull ceiling.
7. Attach four hooks (3) to four anchors (4) below floor plates by extending four springs (5). Use hand or foot to extend springs.
8. Connect two chains (6) on each side with two S-hooks (7). Keep these chains tight to prevent movement of litter from front to rear.



FOLLOW-THROUGH STEPS

1. Install commander's seat and post (WP 0560 00).
2. Start engine (see your -10).
3. Raise and lock ramp (see your -10).
4. Stop engine (see your -10).
5. Return spall liners to stock or store for future use.

END OF TASK

REPLACE POST ASSEMBLY (M113A3 ONLY)

0742 00

THIS WORK PACKAGE COVERS:

Removal (page 0742 00-1).
 Installation (page 0742 00-3).

INITIAL SETUP:

Maintenance Level

Unit

References

See your -10

Tools and Special Tools

General Mechanic's Tool Kit (WP 0926 00, Item 65)

Equipment Condition

Engine stopped (see your -10)

Materials/Parts

Spring pin

Carrier blocked (see your -10)

Personnel Required

Unit Mechanic

Ramp lowered (see your -10)

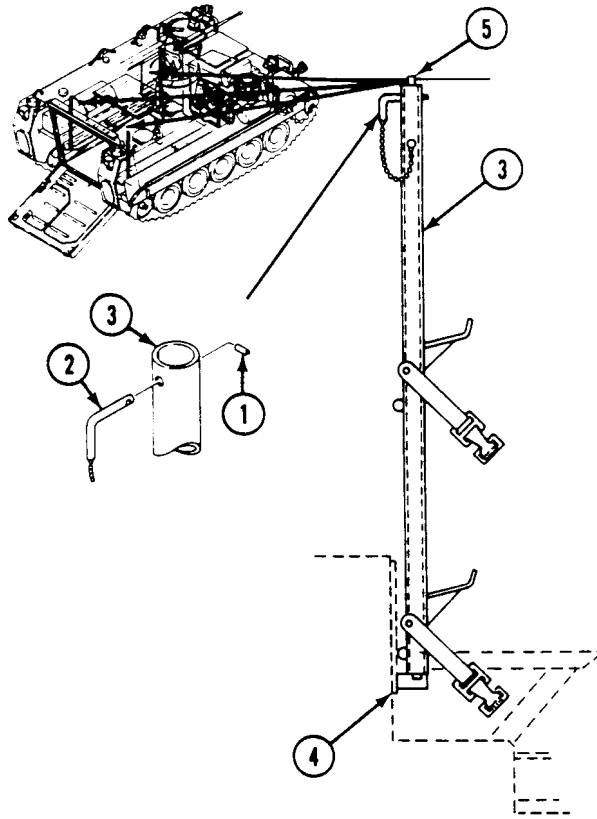
NOTE

All four posts are removed and installed in the same way.

REMOVAL

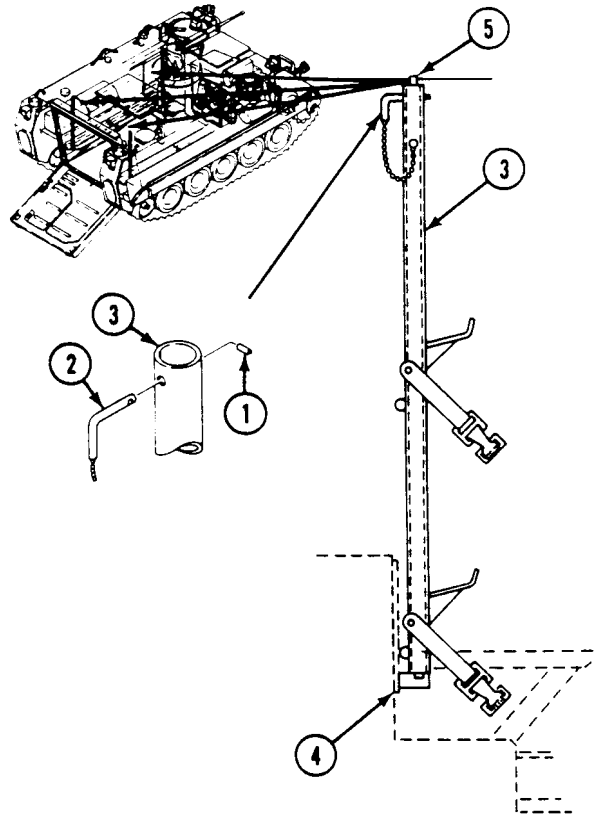
1. Remove spring pin (1) from pin (2). Discard spring pin.
2. Turn and remove pin (2) from post (3).

3. Lift bottom of post (3) until it clears personnel seat bracket (4). Then lower post until it clears stud (5) in hull top.



INSTALLATION

1. Place post (3) under stud (5) in hull top. Lift bottom of post up as far as it will go.
2. Lower bottom of post (3) into personnel seat bracket (4).
3. Insert pin (2) through post (3). Turn end of pin down.
4. Install and secure new spring pin (1) in pin (2).

**FOLLOW-THROUGH STEPS**

1. Start engine (see your -10).
2. Raise and lock ramp (see your -10).
3. Stop engine (see your -10).

END OF TASK

REPAIR POST ASSEMBLY (M113A3 ONLY)

0743 00

THIS WORK PACKAGE COVERS:

Disassembly (page 0743 00-1).
 Assembly (page 0743 00-2).

INITIAL SETUP:

Maintenance Level

Unit

Personnel Required

Unit Mechanic

Tools and Special Tools

General Mechanic's Tool Kit (WP 0926 00, Item 65)

Materials/Parts

Drive Screw
 Spring pin

Equipment Condition

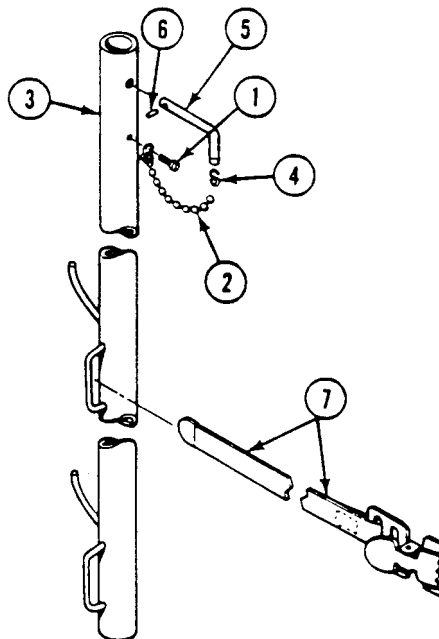
Post assembly removed (WP 0742 00)

NOTE

All four posts are repaired in the same way.

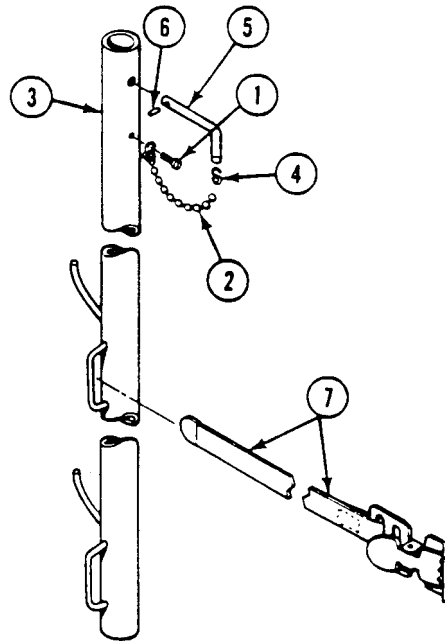
DISASSEMBLY

1. Remove drive screw (1) and bead chain (2) from post (3). Discard drive screw.
2. Open and remove S-hook (4) and bead chain (2) from pin (5).
3. Remove spring pin (6) from pin (5). Discard spring pin.
4. Remove pin (5) from post (3).
5. Remove two straps (7) from post (3).



ASSEMBLY

1. Install new spring pin (6) in pin (5).
2. Secure pin (5) to bead chain (2) with S-hook (4). Crimp S-hook to secure.
3. Secure bead chain (2) to post (3) with new drive screw (1).
4. Install two straps (7) on post (3).

**FOLLOW-THROUGH STEPS**

1. Install post assembly (WP 0742 00).

END OF TASK

REPLACE CHAIN ASSEMBLY (M113A3 ONLY)

0744 00

THIS WORK PACKAGE COVERS:

Removal (page 0744 00-1).
 Installation (page 0744 00-2).

INITIAL SETUP:

Maintenance Level

Unit

References

See your -10

Tools and Special Tools

General Mechanic's Tool Kit (WP 0926 00, Item 65)

Equipment Condition

Engine stopped (see your -10)
 Carrier blocked (see your -10)
 Ramp lowered (see your -10)

Personnel Required

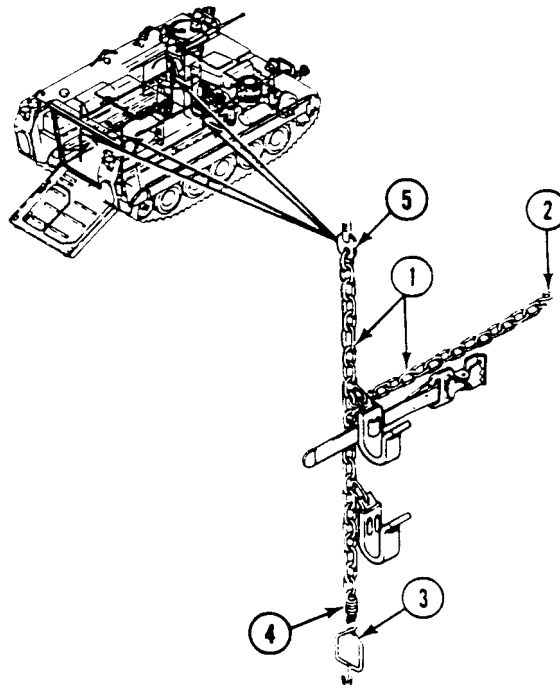
Unit Mechanic

NOTE

All four chains are removed and installed in the same way.

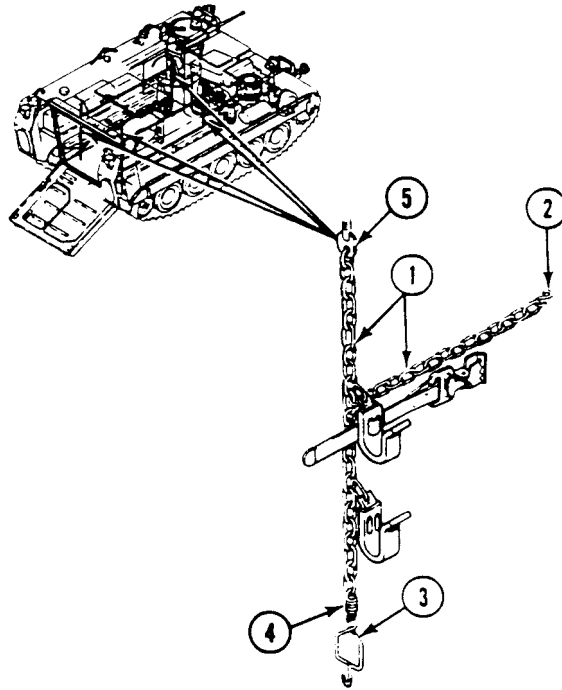
REMOVAL

1. Disconnect four chain assemblies (1) at two S-hooks (2).
2. Remove four hooks (3) from four anchors by extending spring (4). Use hand or foot to extend spring.
3. Remove four hangers (5) and chain assemblies (1) from hull top.



INSTALLATION

1. Suspend four chain assemblies (1) by installing four hangers (5) in hull top.
2. Attach four hooks (3) to four anchors by extending four springs (4). Use hand or foot to extend springs.
3. Connect four chain assemblies (1) with two S-hooks (2).

**FOLLOW-THROUGH STEPS**

1. Start engine (see your -10).
2. Raise and lock ramp (see your -10).
3. Stop engine (see your -10).

END OF TASK

REPAIR CHAIN ASSEMBLY (M113A3 ONLY)

0745 00

THIS WORK PACKAGE COVERS:

Disassembly (page 0745 00-1).
 Assembly (page 0745 00-4).

INITIAL SETUP:

Maintenance Level

Unit

Personnel Required

Unit Mechanic

Tools and Special Tools

General Mechanic's Tool Kit (WP 0926 00, Item 65)

Equipment Condition

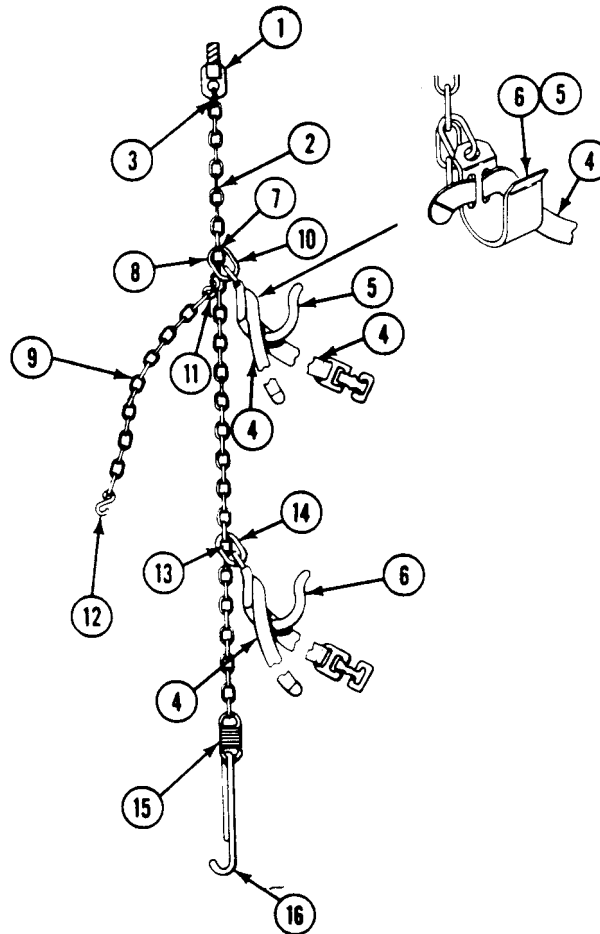
Chain assembly removed (WP 0744 00)

DISASSEMBLY

NOTE

All four chains are disassembled and assembled in the same way.

1. Remove hanger (1) from chain assembly (2) by opening repair link (3).

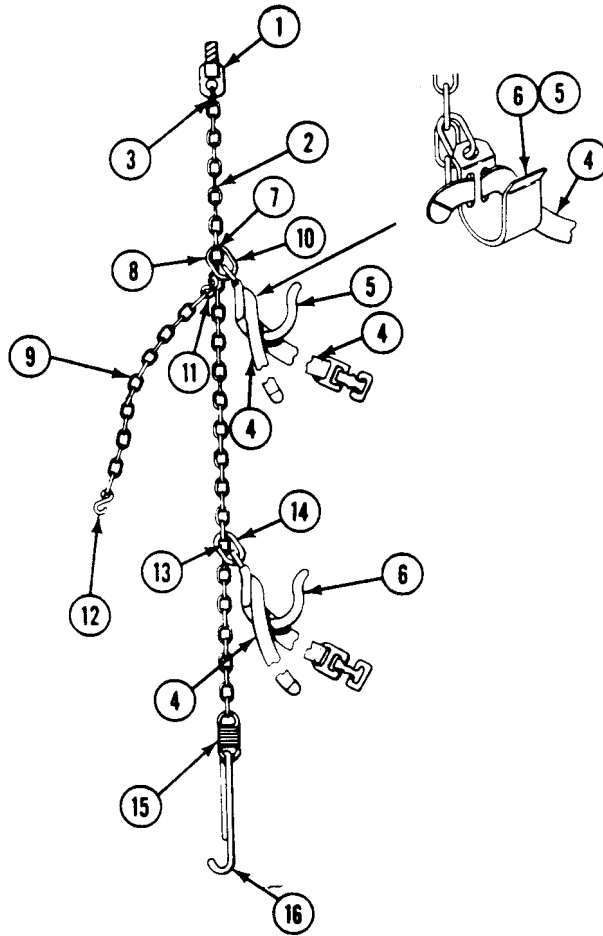


2. Remove two straps (4) from two litter hooks (5) and (6).

NOTE

Link 18 is the 18th link below hanger.

3. Remove upper litter hook (5) from chain link 18 (7) by opening repair link (8).



NOTE

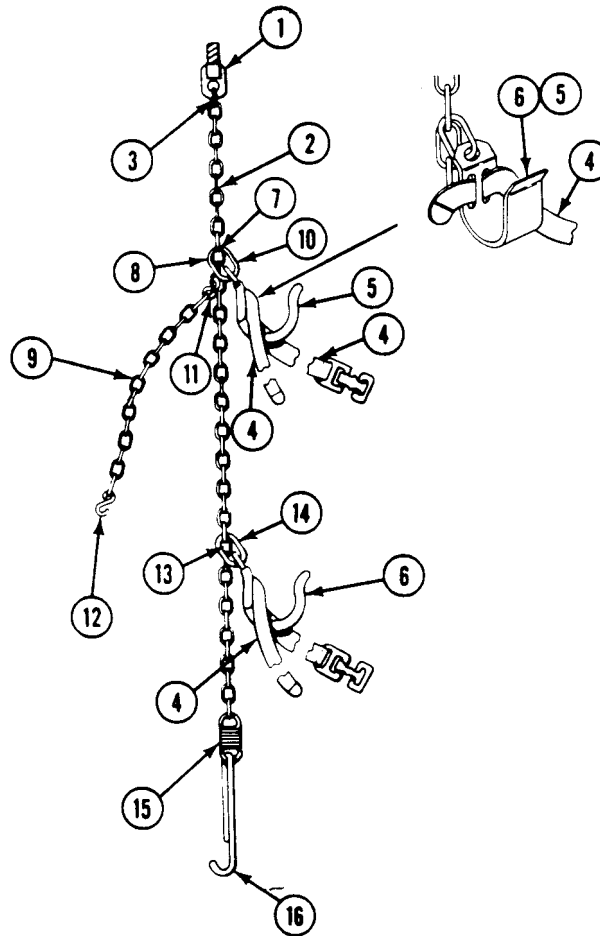
Link 24 is the 24th link below hanger.

4. Remove chain (9) from chain link 24 (10) by opening S-hook (11).
5. Remove S-hook (12) from chain (9).

NOTE

Link 47 is the 47th link below hanger.

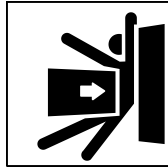
6. Remove lower litter hook (6) from chain link 47 (13) by opening repair link (14).
7. Remove spring (15) from chain assembly (2).
8. Remove hook (16) from spring (15).



ASSEMBLY

1. Install hook (1) on spring (2).
2. Install spring (2) on chain assembly (3).

WARNING



To prevent litter tilt, which could cause injury, be sure to install repair link at chain link No. 47.

NOTE

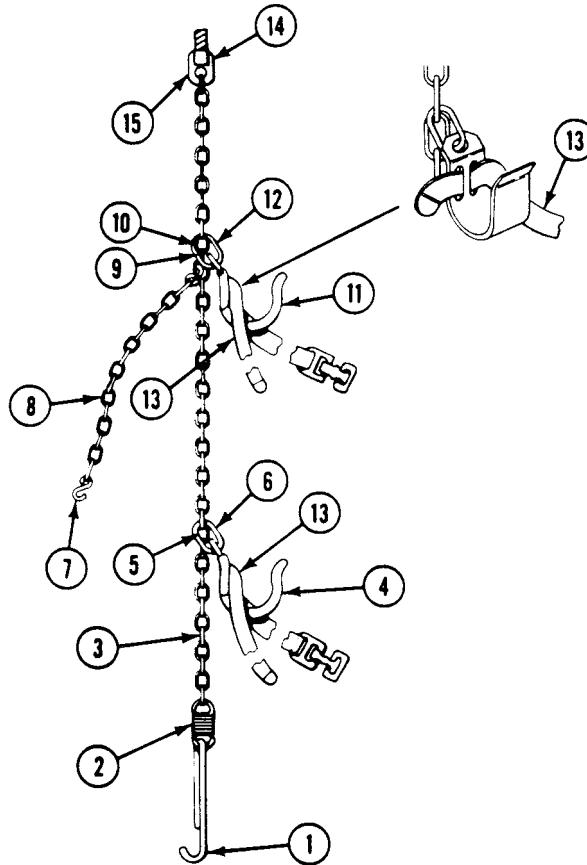
Link 47 is the 47th link below hanger.

3. Install lower litter hook (4) on chain link 47 (5) with repair link (6). Crimp repair link to secure.
4. Install S-hook (7) on chain (8).

NOTE

Link 24 is the 24th link below hanger.

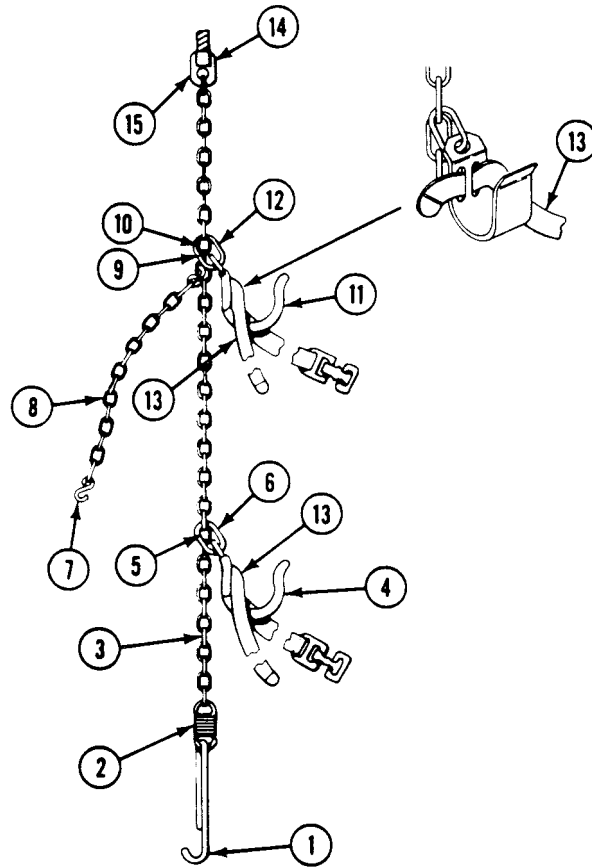
5. Connect chain (8) to chain link 24 (9) with S-hook (10). Crimp S-hook to secure.



NOTE

Link 18 is the 18th link below hanger.

6. Connect upper litter hook (11) to chain link (9) with repair link (12). Crimp repair link to secure.
7. Install two litter straps (13) in upper and lower litter hooks (4) and (11). Install straps through both slots in litter hooks and tie straps.
8. Connect hanger (14) to top link of chain assembly (3) with repair link (15). Crimp repair link to secure.

**FOLLOW-THROUGH STEPS**

1. Install chain assembly (WP 0744 00).

END OF TASK

REPLACE ARTILLERY COMMUNICATION INSIDE CABLE (M577A3 ONLY)

0746 00

THIS WORK PACKAGE COVERS:

Removal (page 0746 00-1).
 Installation (page 0746 00-2).

INITIAL SETUP:

Maintenance Level

Unit

References

See your -10

Tools and Special Tools

General Mechanic's Tool Kit (WP 0926 00, Item 65)

Equipment Condition

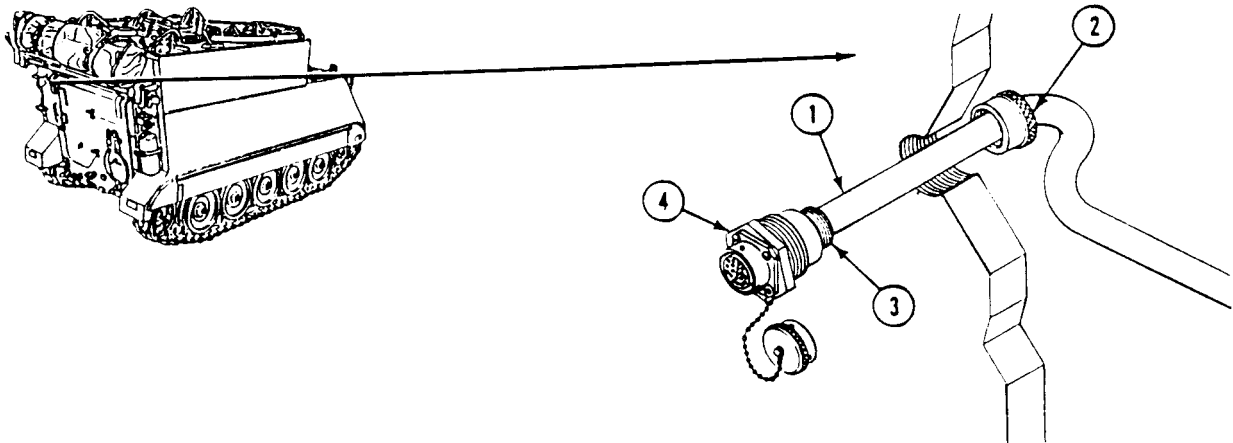
Engine stopped (see your -10)
 Carrier blocked (see your -10)
 Ramp lowered (see your -10)
 Battery ground lead disconnected (WP 0338 00)

Personnel Required

Unit Mechanic

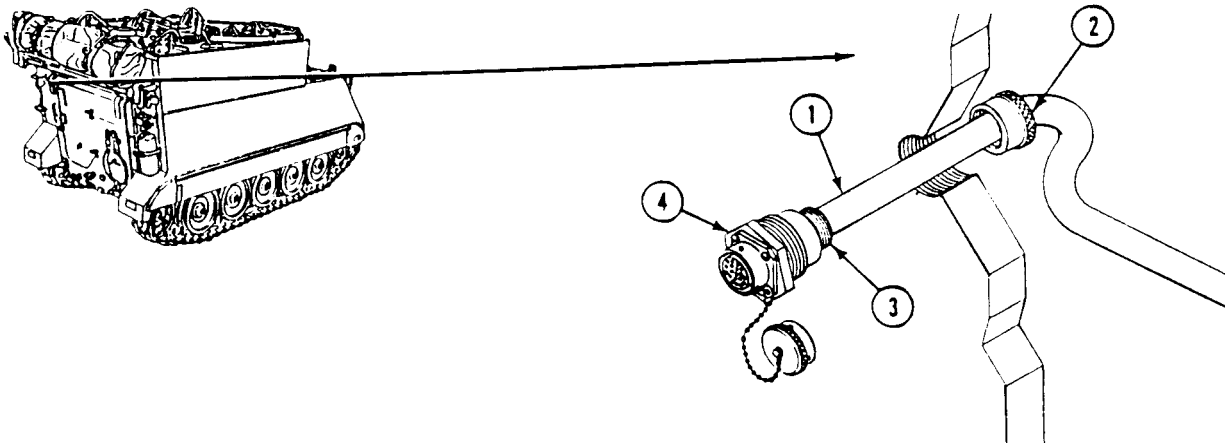
REMOVAL

1. Disconnect inside cable assembly (1) from artillery controls terminal board.
2. Remove retainer (2) from cable assembly connector (3).
3. Remove adapter (4) and cable assembly (1) from hull left rear plate threaded opening.



INSTALLATION

1. Install adapter (4) and cable assembly (1) in hull left rear plate threaded opening.
2. Install retainer (2) on cable assembly connector (3).
3. Connect inside cable (1) to artillery controls terminal board.

**FOLLOW-THROUGH STEPS**

1. Connect battery ground lead (WP 0338 00).
2. Start engine (see your -10).
3. Raise and lock ramp (see your -10).
4. Stop engine (see your -10).

END OF TASK

REPLACE COMMANDER'S CUPOLA ARMOR SHIELDS (M113A3 AND M1064A3 ONLY)

0747 00

THIS WORK PACKAGE COVERS:

Removal (page 0747 00-1).
 Installation (page 0747 00-3).

INITIAL SETUP:

Maintenance Level

Unit

Personnel Required

Unit Mechanic

Tools and Special Tools

General Mechanic's Tool Kit (WP 0926 00, Item 65)

References

See your -10

Materials/Parts

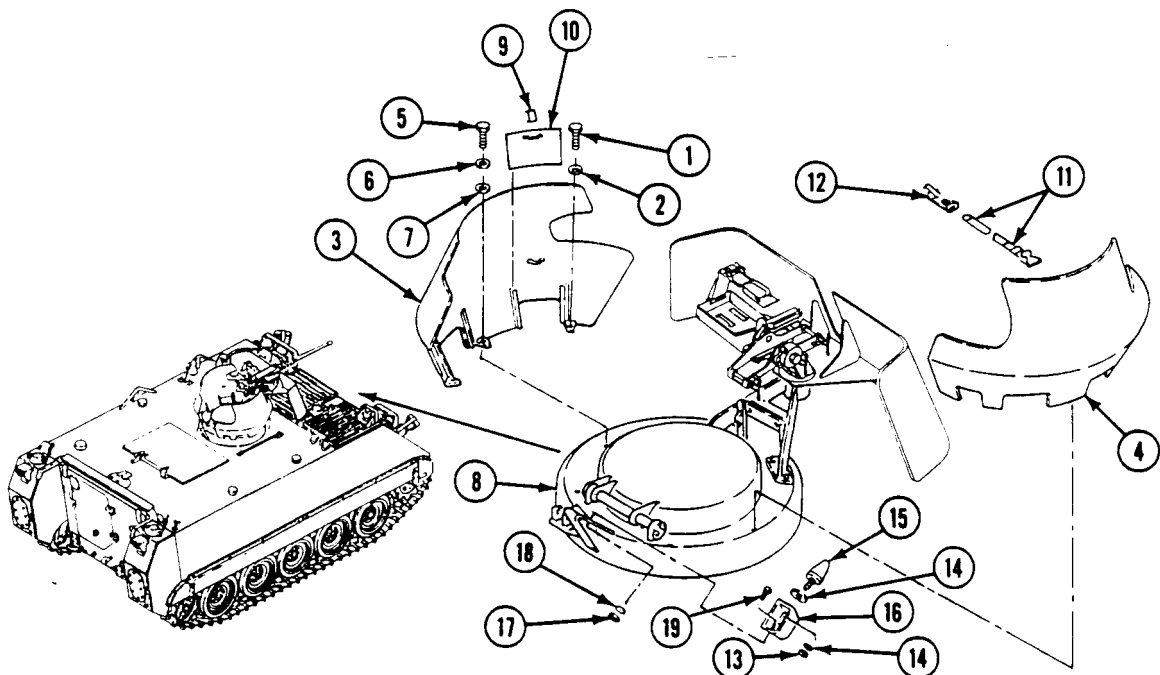
Locknut
 Locknut
 Locknut
 Lockwasher (4)

Equipment Condition

Engine stopped (see your -10)
 Carrier blocked (see your -10)
 Traverse travel lock secured (see your -10)

REMOVAL

1. Remove screw (1) and washer (2) from first hole of each shield (3)(4).
2. Remove four screws (5), lockwashers (6), and washers (7) from remaining holes in left and right shields (3)(4). Discard lockwashers.

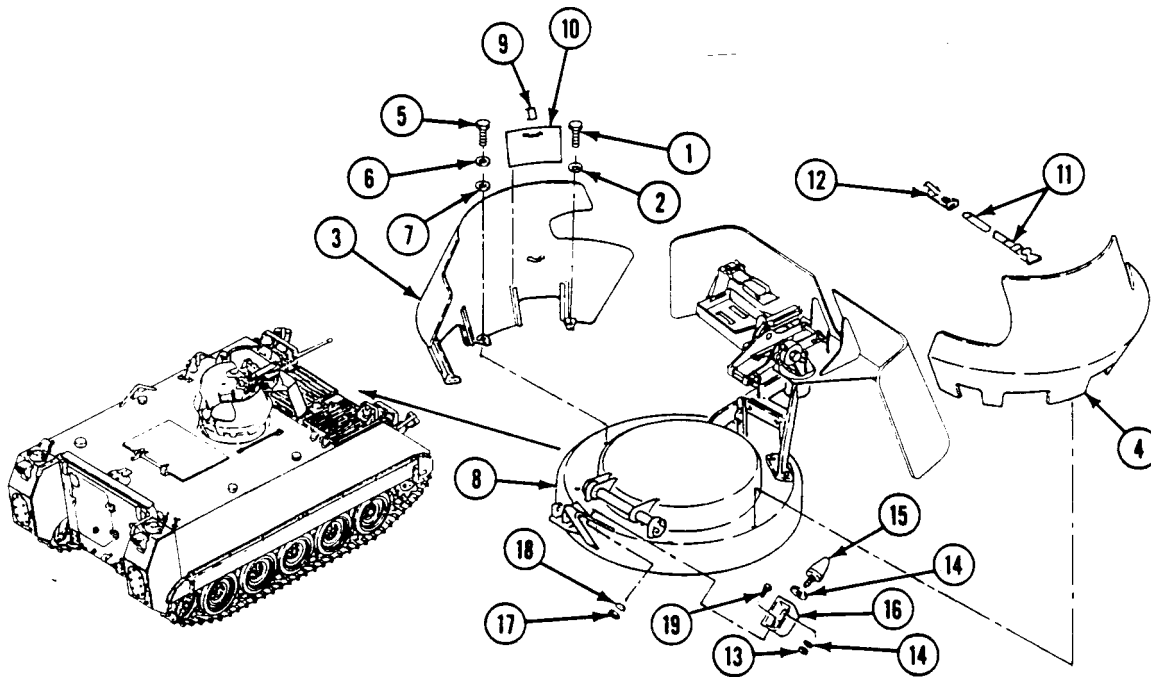


REPLACE COMMANDER'S CUPOLA ARMOR SHIELDS (M113A3 AND M1064A3 ONLY)

0747 00

— Continued

3. Remove two shields (3)(4) from commander's cupola (8).
4. Release four clips (9) and remove four doors (10) from two shields (3)(4).
5. If damaged, remove clips (9) from doors (10).
6. Remove strap (11) from loop on right shield (4) and clamp (12) mounted on machine gun mount bracket.
7. Remove clamp (12) from lower bracket of machine gun handle.
8. Remove locknut (13), washers (14), and bumper (15) from bracket (16).
9. Remove locknut (17), washer (18), screw (19) and bracket (16) from cupola bracket.

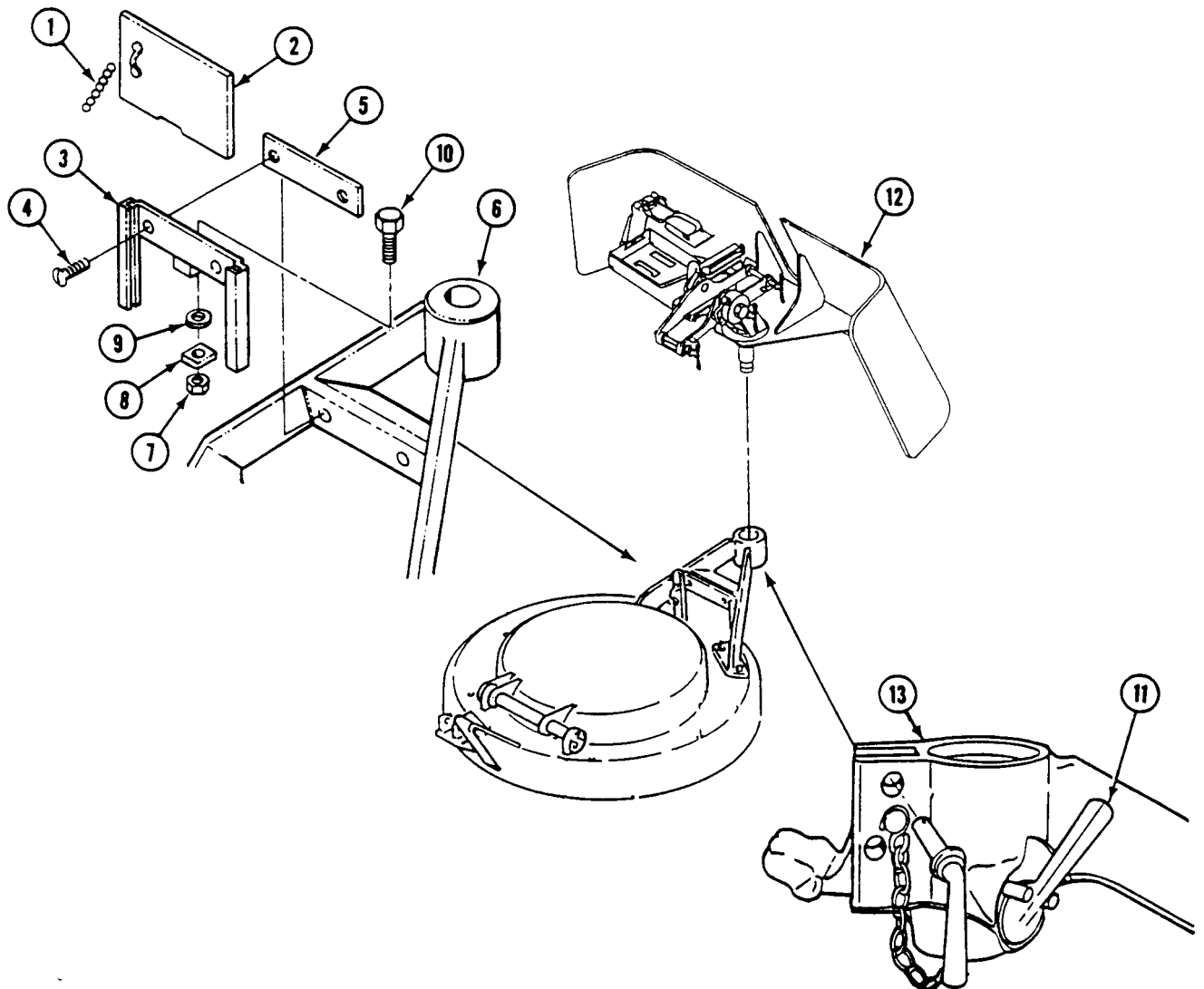


REPLACE COMMANDER'S CUPOLA ARMOR SHIELDS (M113A3 AND M1064A3 ONLY)**0747 00****— Continued**

10. Remove chain (1) and door (2) from bracket (3). If needed remove chain (1) from door (2).
11. Remove two screws (4), bracket (3), and spacer (5) from gun mount (6).
12. Remove locknut (7), plate (8), washer (9), and screw (10) from bracket (3). Discard locknut.
13. Push lock handle (11) down and remove machine gun shield assembly (12) from commander's cupola mount (13).

INSTALLATION

1. Push lock handle (11) down and install machine gun shield assembly (12) in commander's cupola mount (13).
2. Install screw (10), washer (9), plate (8), and new locknut (7) on bracket (3). Do not tighten locknut (7) so that plate (8) is able to turn freely.
3. Install spacer (5), bracket (3), and two screws (4) on gun mount (6).
4. Install chain (1) on bracket (3) and door (2). Deform ends of chain to secure chain on door and bracket.

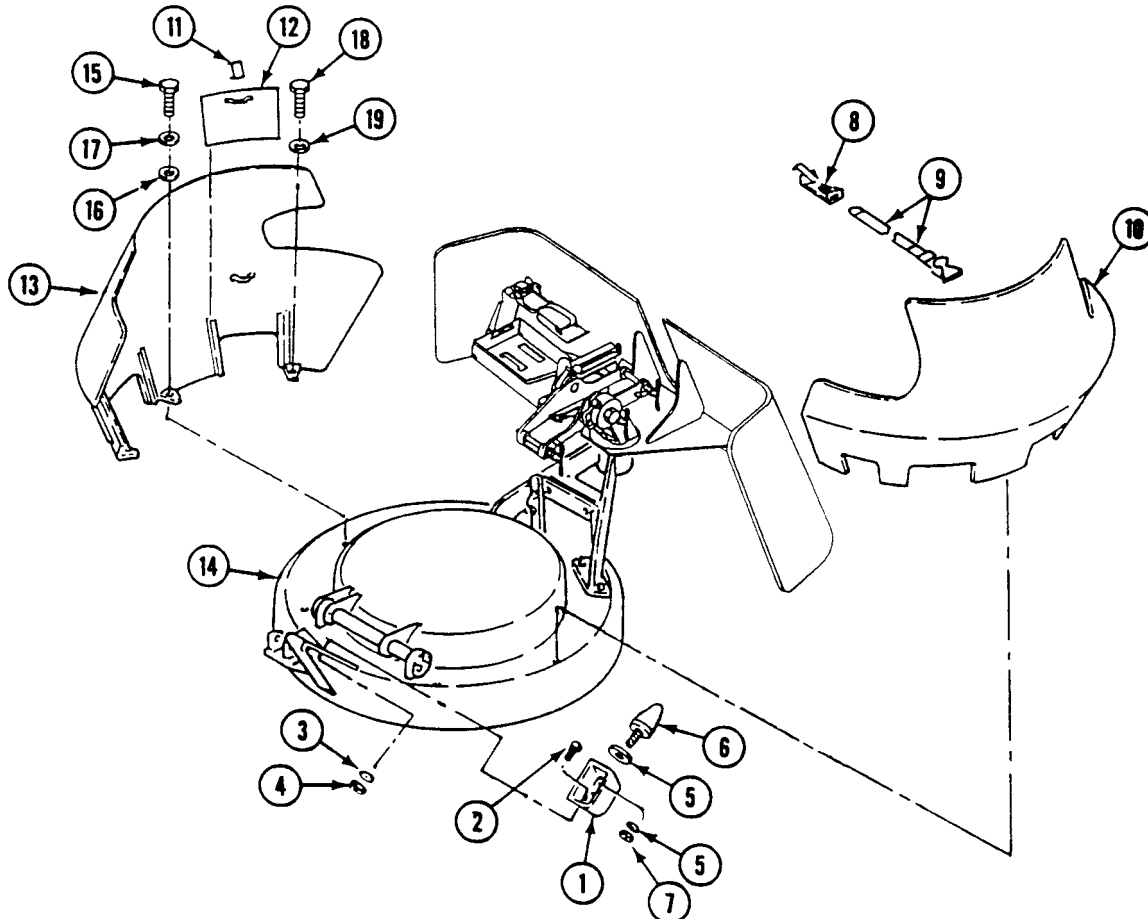


— Continued

NOTE

Install washer(s) as needed, to compress bumper 1/4 inch (6 mm) when hold-open hook is engaged.

5. Install bracket (1) on cupola bracket. Secure bracket (1) with screw (2), washer (3), and new locknut (4).
6. Install washers (5), bumper (6), and new locknut (7) on bracket (1).
7. Install clamp (8) on lower bracket of machine gun handle.
8. Install strap (9) through loop on right shield (10) and clamp (8) on machine gun handle. Tighten strap.
9. If removed, install clips (11) on doors (12). Deform ends of clips (11) over loops on doors (12).
10. Install four doors (12) on two shields (10) and (13).
11. Install two shields (10) and (13) on commander's cupola (14).
12. Install the right and left shields (10) and (13), four screws (15), washers (16), and new lockwashers (17) on commander's cupola (14).
13. Install two screws (18) and washers (19) in first two holes of two shields (10) and (13).



REPLACE COMMANDER'S CUPOLA ARMOR SHIELDS (M113A3 AND M1064A3 ONLY)
— Continued

0747 00

FOLLOW THROUGH STEPS

1. Release traverse travel lock (see your -10).

END OF TASK

INSTALL ARMOR KIT (M113A3 ONLY)

0748 00

THIS WORK PACKAGE COVERS:

Installation (page 0748 00-1).

INITIAL SETUP:

Maintenance Level

Unit

Personnel Required

Unit Mechanic
Helper (H)

Tools and Special Tools

General Mechanic's Tool Kit (WP 0926 00, Item 65)
Torque Wrench Adapter (WP 0926 00, Item 4)
Torque Wrench (WP 0926 00, Item 85)
Lifting device rated at 200 lb (91 kg) minimum

References

See your -10

Equipment Condition

Engine stopped (see your -10)
Carrier blocked (see your -10)
Track shroud and covers removed (WP 0438 00)
Smoke grenade launchers removed (WP 0455 00)
Trim vane lowered (see your -10)

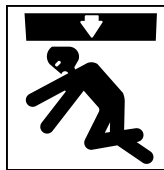
Materials/Parts

Sealing compound (WP 0928 00, Item 51)

INSTALLATION

INSTALL ARMOR KIT

WARNING



Armor plates are heavy and can cause injury or death. Support armor plate properly to avoid injury.

NOTE

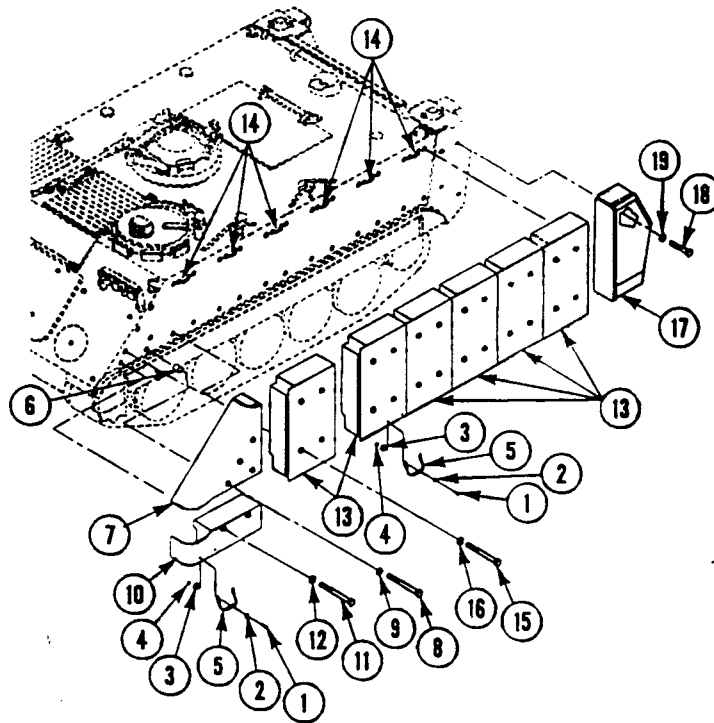
There are two armor kits, 57K0429 and 57K0467. Steps apply to both kits unless otherwise noted.

Make sure armor plate mounting holes in hull are clean.

Some armor plates in this task weigh over 130 lb. Use lifting device and helper to support and position armor.

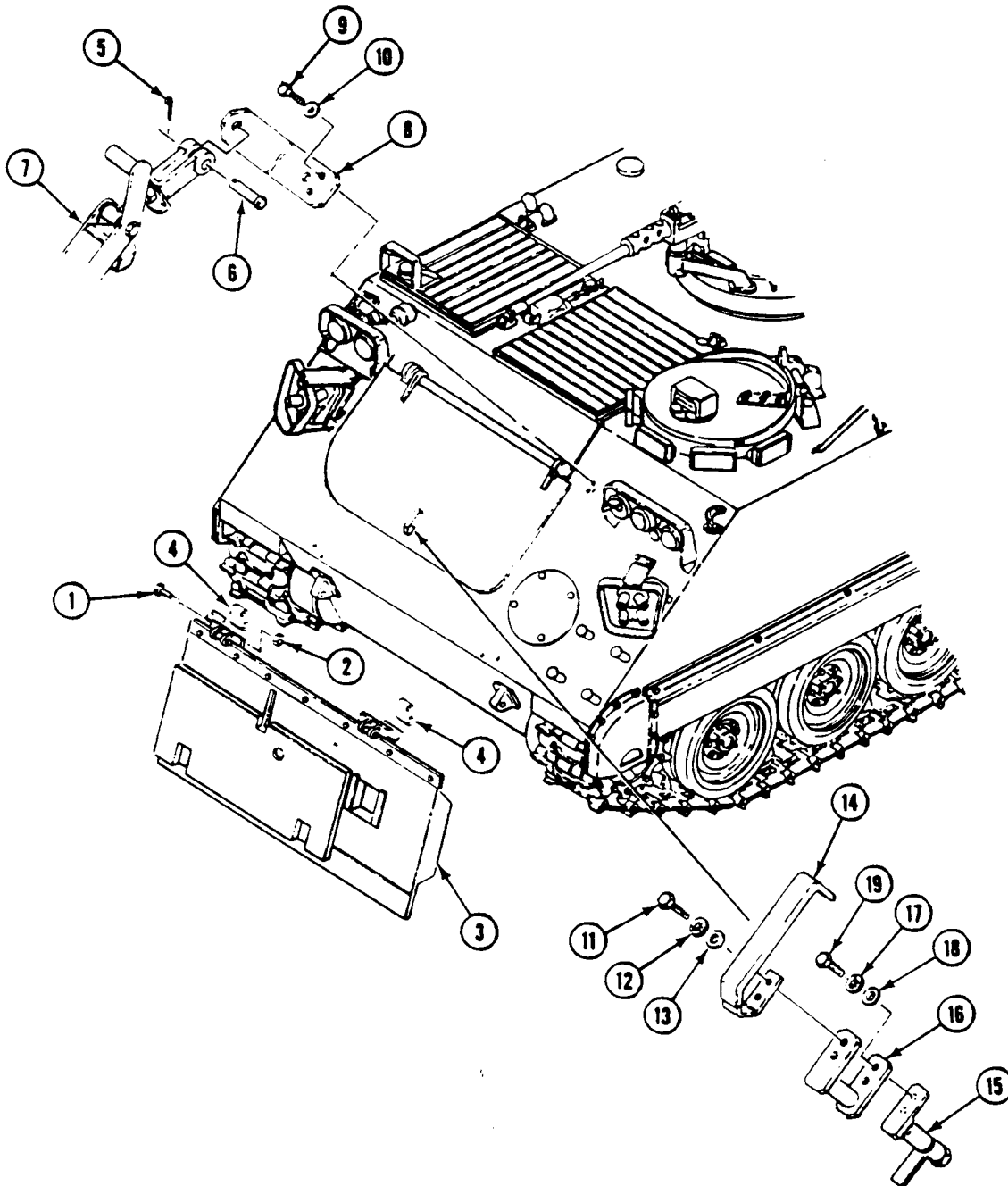
INSTALL ARMOR KIT (M113A3 ONLY) — Continued**0748 00**

1. Remove four screws (1), washers (2) and (3), nuts (4) and two foot cables (5) from left side of carrier.
2. Remove 34 protective plugs (6) from mounting holes in hull.
3. Attach upper side plate (7) to carrier with four screws (8) and washers (9).
4. Install lower side plate (10) to carrier with two screws (11) and washers (12).
5. Install six side plates (13) to carrier by attaching hooks on back of plates to footman loops (14). Secure plates to carrier with 24 screws (15) and washers (16).
6. Install two foot cables (5) on side plates (10) and (13) with two screws (1), washers (2) and (3), and two nuts (4).
7. Install stowage box (17) on rear of carrier with four screws (18) and washers (19).
8. Repeat Step 7 for other side of carrier.



INSTALL ARMOR KIT (M113A3 ONLY) — Continued**0748 00**

9. Remove four screws (1), locknuts (2), trim vane (3), and hinges (4) from carrier.
10. Remove cotter pin (5) and pin (6) from trim vane clevis (7) and pivot bracket (8). Remove two screws (9), washers (10), and pivot bracket (8). Discard cotter pin.
11. Remove two screws (11), lockwashers (12), washers (13), and handle (14) from plate (15). Discard screws, save lockwashers.
12. Install extension (16) on plate (15) with two new lockwashers (17), washers (18), and screws (19).
13. Install handle (14) on extension (16) with two lockwashers (12), washers (13) and new screws (11).



NOTE

Backing plates (6) and (10) are used with kit 57K0467.

14. Install trim vane hinge (1) on armor plate (2) with two screws (3), lockwashers (4), washers (5) and backing plate (6).
15. Install trim vane strike (7) on plate (2) with two screws (8), washers (9) and backing plate (10).

NOTE

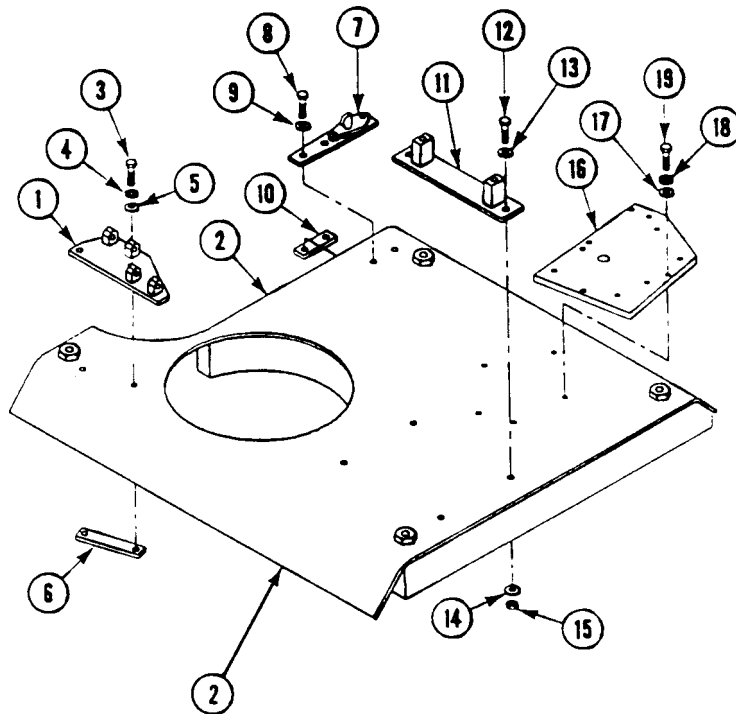
If installing kit 57K0429, do Step 17.

16. Install two track shoe brackets (11) to plate (2) with four screws (12), washers (13) and (14), and locknuts (15). Use knife or chisel to remove foam on back of plate (2) so locknuts (15) can be attached to screws (12).

NOTE

If installing kit 57K0429, do Step 17.

17. Install bracket (16) to plate (2) with four washers (17), lockwashers (18), and screws (19).



NOTE

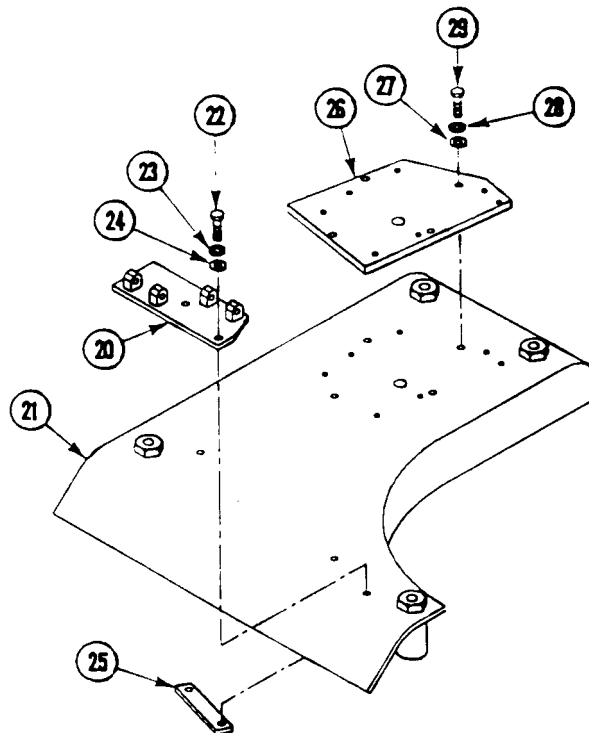
Backing plate (25) is used with kit 57K0467.

18. Install trim vane hinge (20) to right front armor plate (21) with two screws (22), lockwashers (23), washers (24) and backing plate (25).

NOTE

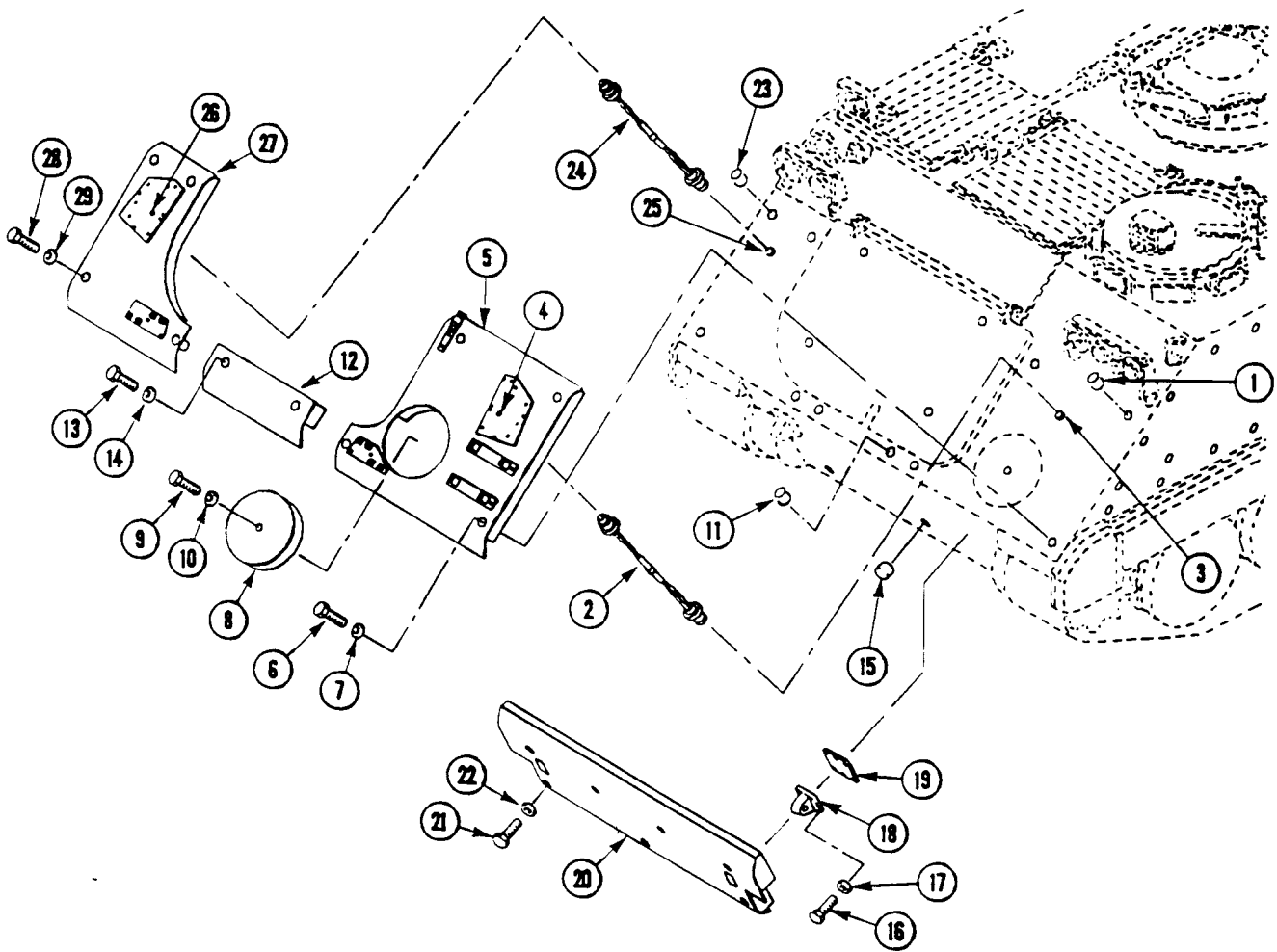
If installing kit 57K0429, do Step 19.

19. Install bracket (26) to plate (21) with four washers (27), lockwashers (28), and screws (29).



20. Remove five protective plugs (1) from left front mounting holes.
21. Connect extension harness (2) to smoke grenade launcher harness (3) and push through hole (4) in left front armor plate (5).
22. Install left front armor plate (5) on carrier with four screws (6) and washers (7).
23. Install armor access cover (8) with screw (9) and washer (10).

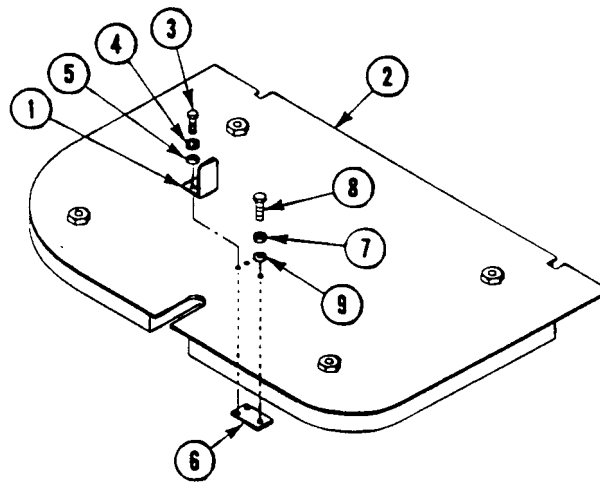
24. Remove two protective plugs (11) from front center mounting holes.
25. Install armor plate (12) on front center of carrier with two screws (13) and washers (14).
26. Remove seven protective plugs (15) from lower front center mounting holes.
27. Remove 12 screws (16), washers (17) and two towing eyes (18) from hull. Install two spacer plates (19) and towing eyes to hull with 12 screws and washers.
28. Install armor plate (20) on lower front center of carrier with seven screws (21) and fourteen washers (22).
29. Remove four protective plugs (23) from mounting holes on right front of carrier.
30. Connect extension harness (24) to smoke grenade launcher harness (25) and push through hole (26) in plate (27).
31. Install right front armor plate (27) on hull with four screws (28) and washers (29).



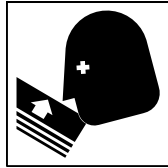
NOTE

Backing plate (6) is used with kit 57K0467.

32. Place latch stop (1) on top side of armor plate (2) with two screws (3), lockwashers (4), and washers (5). Apply sealing compound to top of backing plate (6). Install backing plate under armor plate (2) and align with two screws (3). Hand tighten screws.
33. Thread jam nut (7) to end of threads on screw (8).
34. Install detent screw (8) with jam nut (7) and washer (9) into plate (2) and backing plate (6). Tighten screws (3). Do not tighten detent screw (8) with jam nut (7) yet.

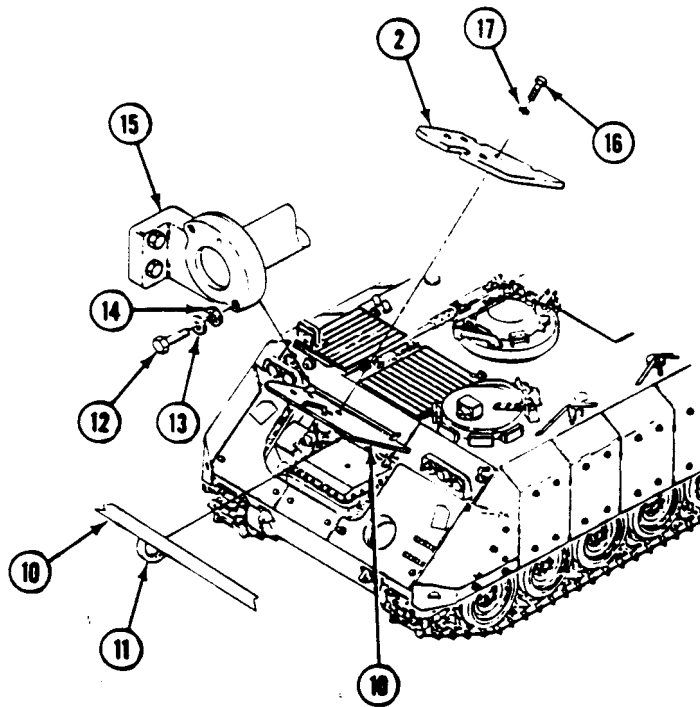


35. Raise power plant door (10) 120-130 degrees from closed position.
36. Attach lifting device to door lifting eye (11).

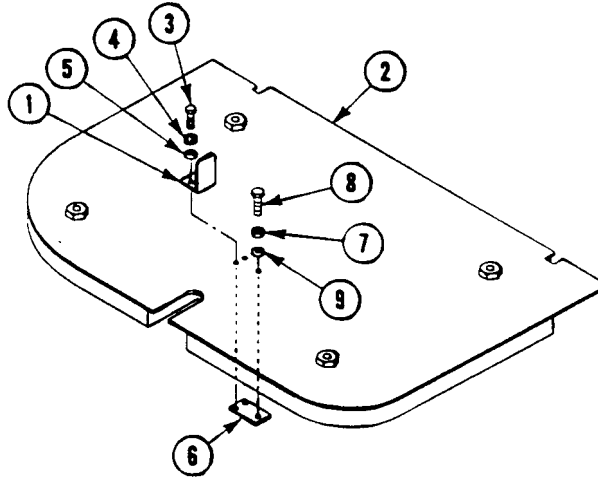
WARNING

Power plant door contains a torsion spring assembly which could cause injury or death to personnel. Door must be raised to neutral position before removing two screws from housing.

37. Remove two screws (12), washers (13), and lockwashers (14) from housing (15). Save lockwashers.
38. Rotate housing (15) toward top of carrier (counterclockwise) until second set of screw holes are aligned.
39. Install two screws (12), washers (13), and lockwashers (14) in housing (15). Remove lifting device and lower power plant door (10).
40. Install armor plate (2) on power plant door (10) with four screws (16) and washers (17).

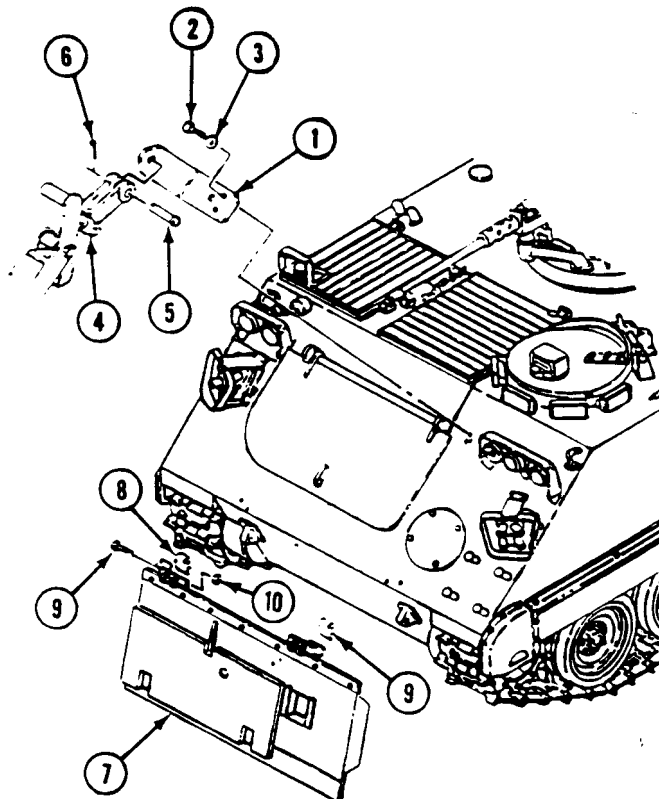


41. Loosen detent screw (8) until access door handle rubs screw head. Tighten jam nut (7).



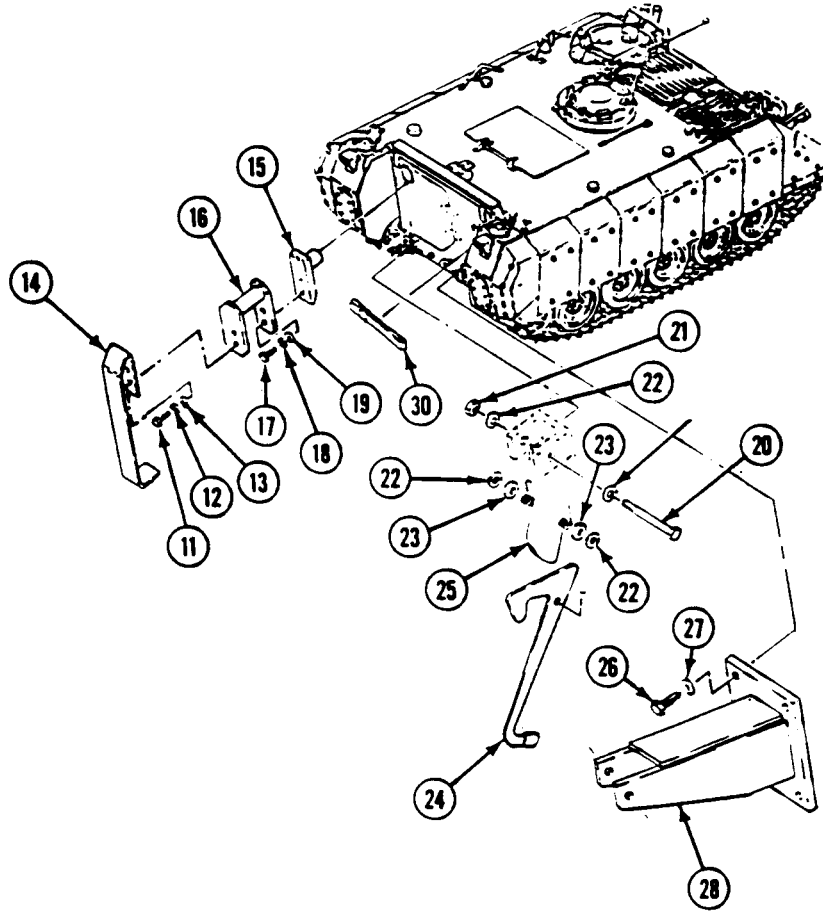
42. Install trim vane pivot bracket (1) on carrier with two screws (2) and washers (3). Attach trim vane clevis (4) to pivot bracket (1) with pin (5) and new cotter pin (6).

43. Install trim vane (7) with hinges (8) on carrier with four screws (9) and new locknuts (10). Stow trim vane (see your -10).



INSTALL ARMOR KIT (M113A3 ONLY) — Continued**0748 00**

44. Remove two screws (11), lockwashers (12), washers (13) and handle (14) from shaft (15). Discard lockwashers.
45. Install handle (14) on extension (16) with two screws (11), lockwashers (12) and washers (13). Attach handle (14) and extension (16) to shaft (15) with two screws (17), new lockwashers (18), and washers (19).
46. Remove screw (20), nut (21), four washers (22), two spacers (23), hook (24), and spring (25).
47. Remove four screws (26), washers (27), and bracket (28) from ramp. Discard screws and washers.
48. Remove strap (29) from ramp.

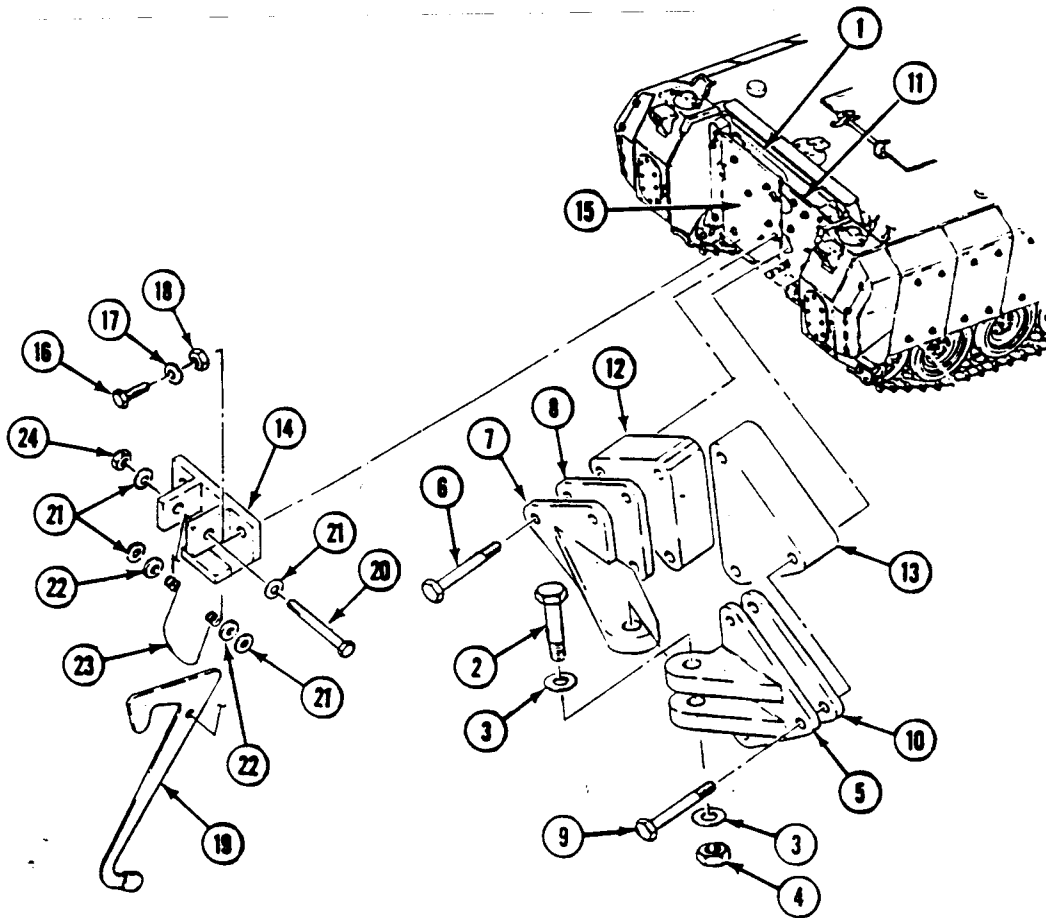


WARNING



Ramp door is heavy and can cause injury or death. Support ramp door properly to avoid injury.

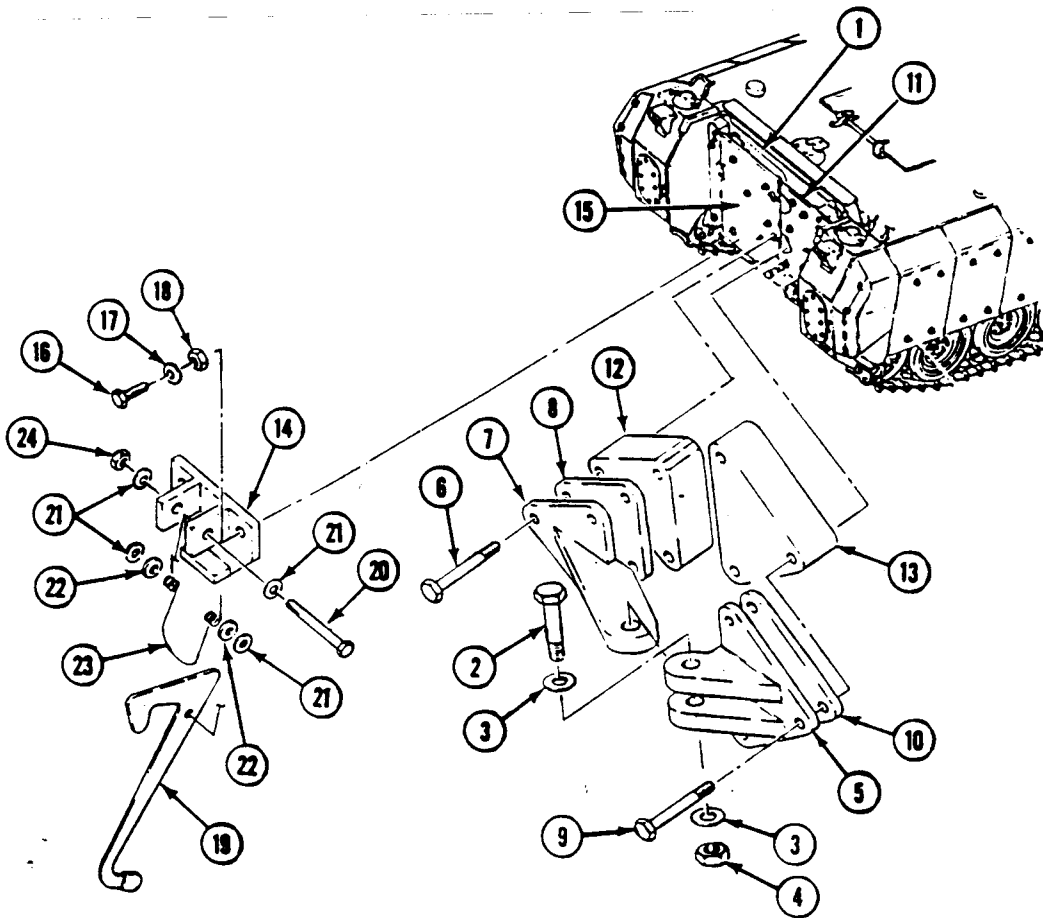
49. Attach lifting device to ramp door (1). Remove two screws (2), four washers (3), two nuts (4), and ramp door from hinges (5).
50. Remove six screws (6), two hinges (7), and shims (8) from ramp door (1). Discard screws and shims.
51. Remove six screws (9), two hinges (5), and shims (10) from ramp (11). Discard screws and shims.



NOTE

For proper alignment and sealing of ramp door, install washers between door hinges and ramp hinges to keep outer edges of door flush with ramp weldment within 1/16 inch (1.5 mm).

52. Install two spacers (12), new shims (8) and two hinges (7) on ramp door (1) with six new screws (6). Hand tighten screws.
53. Install two spacers (13), new shims (10) and two hinges (5) on ramp (11) with six new screws (9). Hand tighten screws.
54. Attach lifting device to ramp door (1) and install on ramp (11). Secure four hinges (5) and (7) with two screws (2), four washers (3), and two nuts (4).
55. TIGHTEN 12 SCREWS (6)(9) TO 107-118 LB-FT (145-160 N·m). Remove lifting device from ramp door (1).
56. Attach bracket (14) to ramp door armor plate (15) with two new screws (16), new washers (17), and new locknuts (18).
57. Install hook (19) on bracket (14) with screw (20), four washers (21), two spacers (22), spring (23), and new locknut (24).



58. Install bracket (1) on right rear armor plate (2) with four new screws (3) and washers (4).

NOTE

If installing kit 57K0467, do Step 59, Step 61, Step 63, and Step 65.

59. Install four locknuts (5) on four screws (3).

60. Install bracket (6) on right rear armor plate (2) with two screws (7) and washers (8).

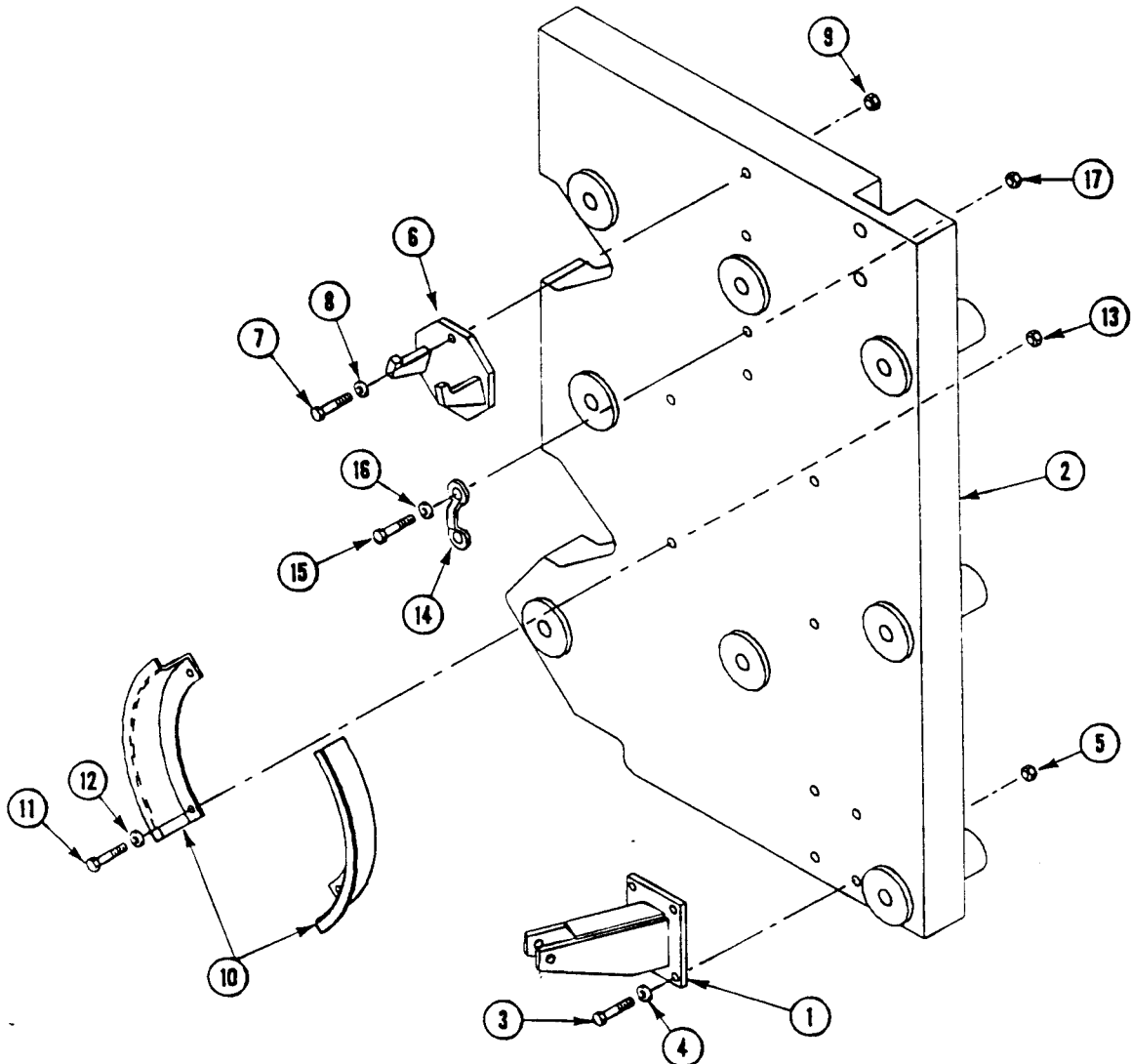
61. Install two locknuts (9) on screws (7).

62. Install bracket (10) on right rear armor plate (2) with four screws (11) and washers (12).

63. Install four locknuts (13) on screws (11).

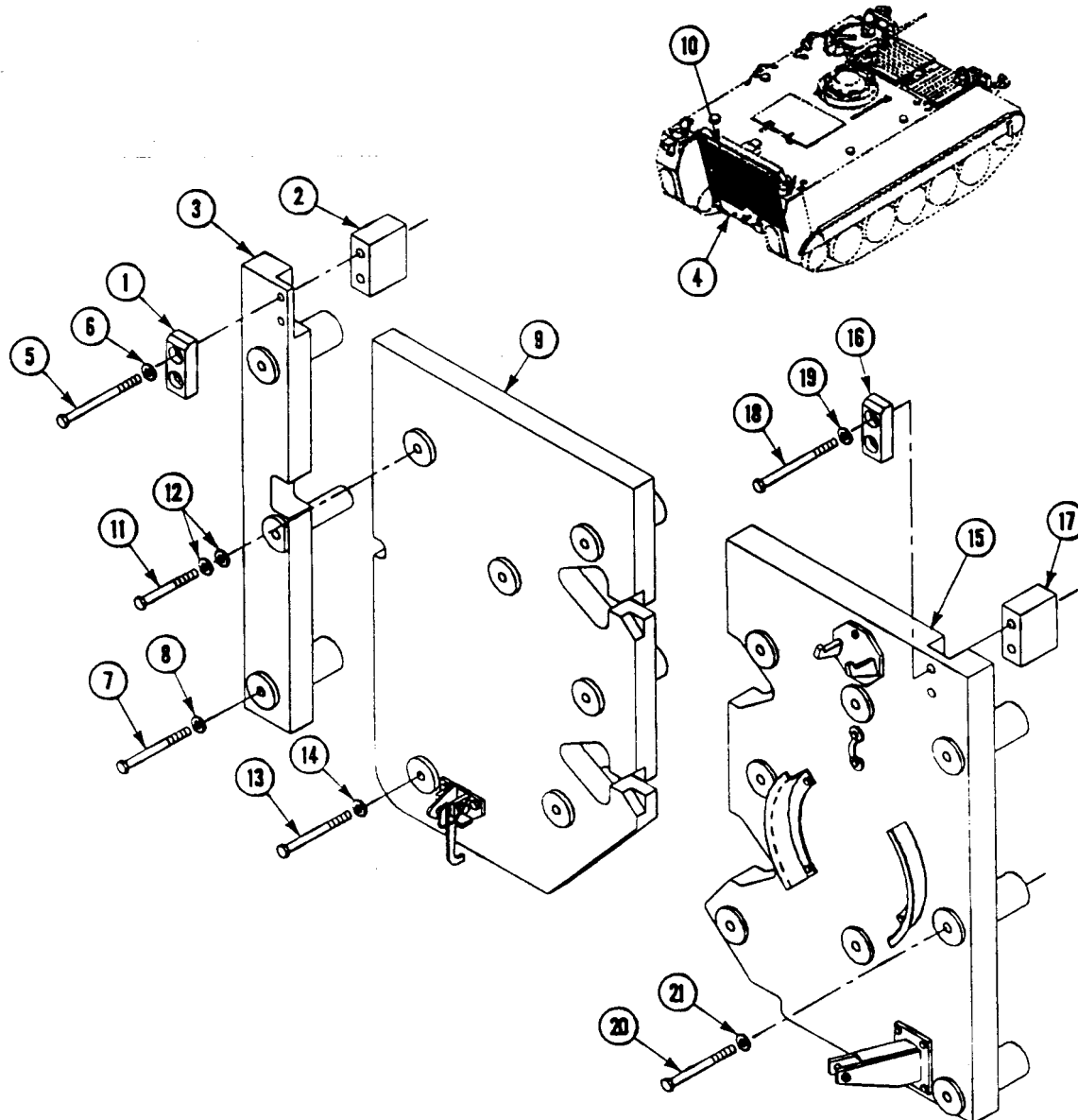
64. Install footman loop (14) on right rear armor plate (2) with two screws (15) and washers (16). Attach strap to loop (14).

65. Install two locknuts (17) on screws (15).



INSTALL ARMOR KIT (M113A3 ONLY) — Continued**0748 00**

66. Attach pad (1), support (2) and left rear armor plate (3) to ramp (4) with two screws (5) and washers (6).
67. Install three screws (7) and washers (8) through armor plate (3) to ramp (4).
68. Attach lifting device to ramp door armor plate (9). Install armor plate (9) to ramp door (10) with screw (11) and two washers (12) at upper left corner and five screws (13) and washers (14) in remaining holes. Remove lifting device.
69. Attach lifting device to right rear armor plate (15). Install pad (16), right armor plate (15) and support (17) to ramp (4) with two screws (18) and washers (19).
70. Install eight screws (20) and washers (21) through armor plate (15) to ramp (4). Remove lifting device.

**FOLLOW-THROUGH STEPS**

1. Install track covers and shroud (WP 0438 00).
2. Install smoke grenade launchers (WP 0455 00).

END OF TASK

REPLACE FRONT ARMOR (M113A3 ONLY)

0749 00

THIS WORK PACKAGE COVERS:

- Removal (page 0749 00-1).
 - Disassembly (page 0749 00-5).
 - Assembly (page 0749 00-8).
 - Installation (page 0749 00-10).
-

INITIAL SETUP:

Maintenance Level

Unit

Personnel Required

Unit Mechanic
Helper (H)

Tools and Special Tools

General Mechanic's Tool Kit (WP 0926 00, Item 65)
Lifting device rated at 200 lb (91 kg) minimum

References

See your -10

Materials/Parts

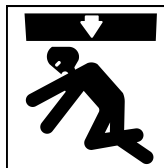
Sealing compound (WP 0928 00, Item 55)
Cotter pin
Locknut (4)
Locknut (12)
Lockwasher (2)
Lockwasher (4)
Lockwasher (4)

Equipment Condition

Engine stopped (see your -10)
Carrier blocked (see your -10)
Trim vane lowered (see your -10)
Smoke grenade launchers removed (WP 0455 00)

REMOVAL

WARNING



Armor plates are heavy. Be sure to support plate properly to avoid injury to personnel.

NOTE

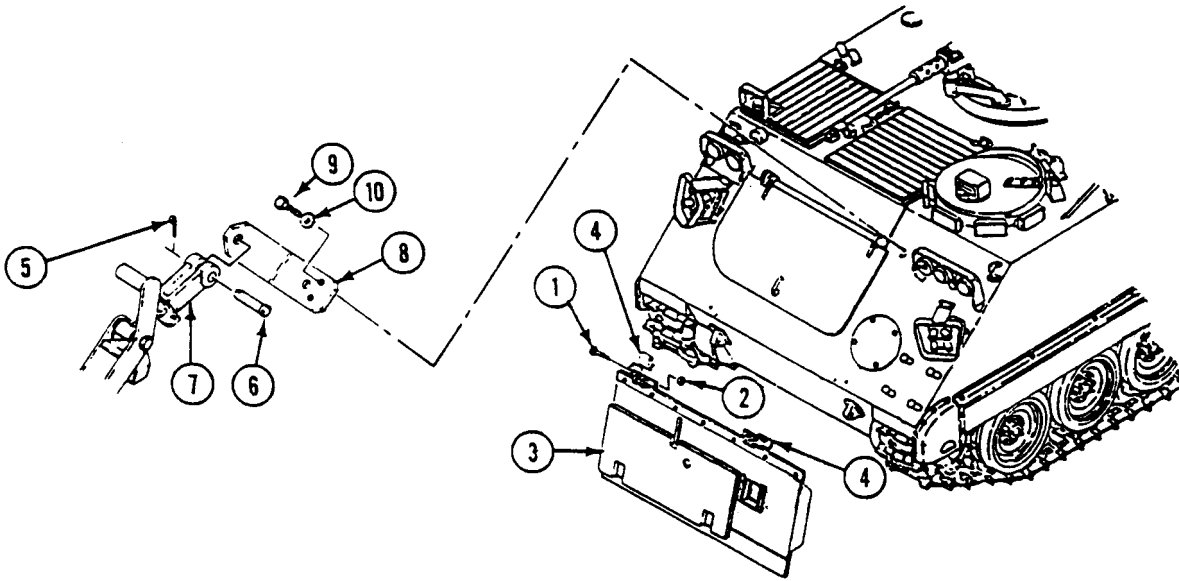
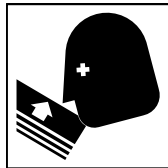
There are two armor kits, 57K0429 and 57K0467. Steps apply to both kits unless otherwise noted.

Some armor plates in this task weigh over 130 lb. Use lifting device and helper to support and position armor.

REPLACE FRONT ARMOR (M113A3 ONLY) — Continued

0749 00

1. Remove four screws (1), locknuts (2), trim vane (3), and hinges (4) from carrier. Discard locknuts.
2. Remove cotter pin (5) and pin (6) from clevis (7). Remove clevis from pivot bracket (8). Discard cotter pin.
3. Remove two screws (9), washers (10), and pivot bracket (8) from hull.

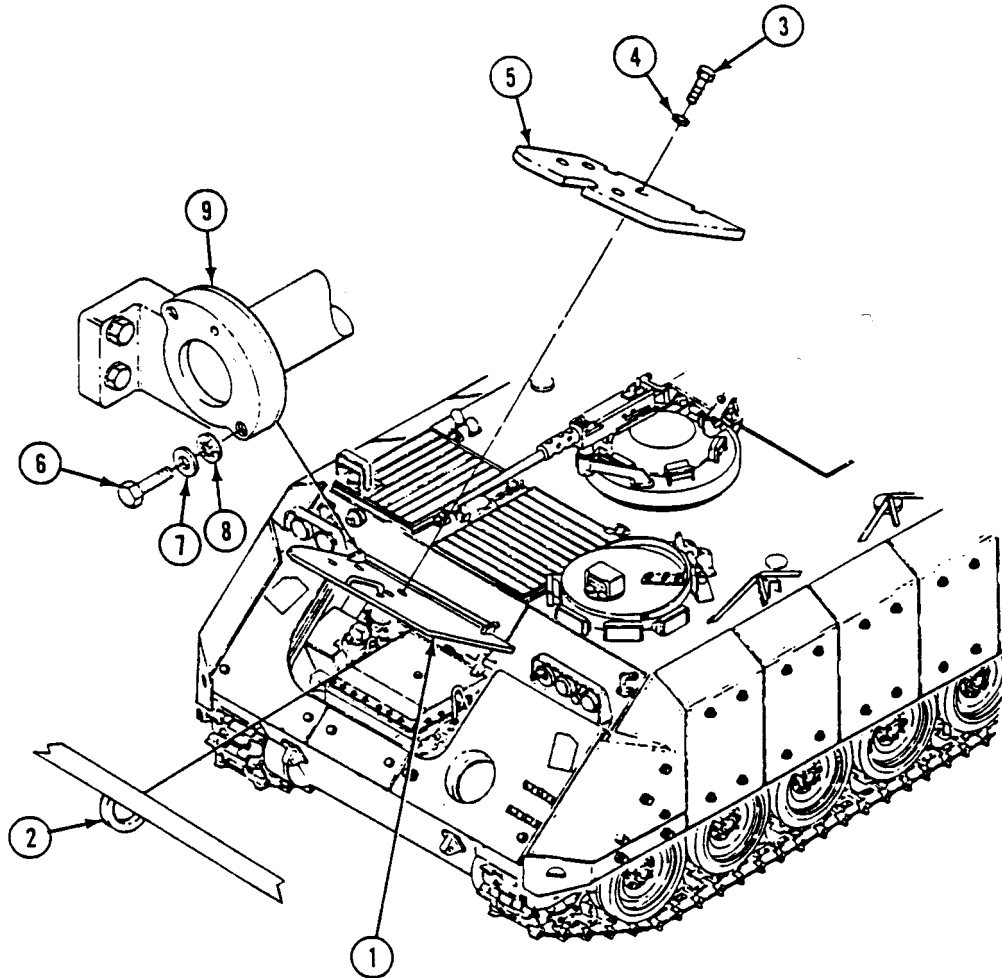
**WARNING**

Power plant door contains a loaded torsional spring assembly. To avoid injury to personnel, door must be raised to neutral position before removing two housing screws.

REPLACE FRONT ARMOR (M113A3 ONLY) — Continued

0749 00

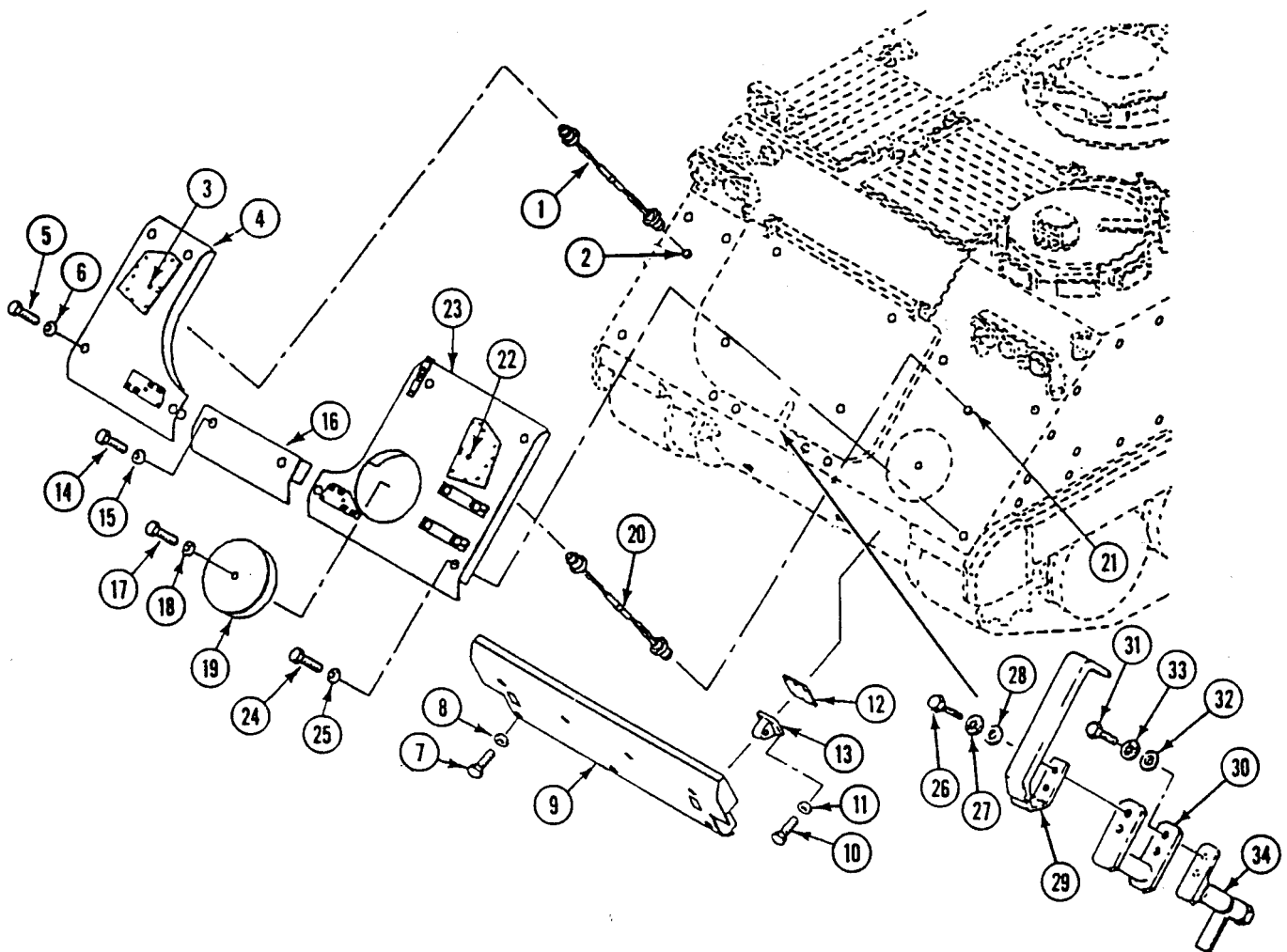
4. Raise power plant door (1) 120 to 130 degrees from closed position.
5. Attach lifting device to door lifting eye (2).
6. Remove four screws (3), washers (4), and door armor plate (5) from power plant door (1).
7. Remove two screws (6), washers (7), and lockwashers (8) from housing (9). Discard lockwashers.
8. Rotate housing (9) toward bottom of carrier (clockwise), until second set of screw holes are aligned.
9. Reinstall two screws (6) and washers (7) on housing (9). Detach lifting device and lower door (1).



REPLACE FRONT ARMOR (M113A3 ONLY) — Continued

0749 00

10. Disconnect and remove extension harness (1) from smoke grenade launcher harness (2) and push through hole (3) in front right armor plate (4).
11. Remove four screws (5), washers (6), and front right armor plate (4) from hull.
12. Remove seven screws (7), fourteen washers (8), and armor plate (9) from lower front center of vehicle.
13. Remove twelve screws (10), washers (11), two spacer plates (12), and towing eyes (13) from hull.
14. Remove two screws (14), washers (15), and armor plate (16) from front center of vehicle.
15. Remove screw (17), washer (18), and access cover (19).
16. Disconnect and remove extension harness (20) from smoke grenade launcher harness (21) and push through hole (22) in front left armor plate (23).
17. Remove four screws (24), washers (25), and front left armor plate (23) from hull.
18. Remove two screws (26), lockwashers (27), washers (28), and handle (29) from extension (30). Discard lockwashers.
19. Remove two screws (31), washers (32), lockwashers (33), and extension (30) from plate (34). Discard lockwashers.



DISASSEMBLY

WARNING

Armor plates are heavy. Be sure to support plate properly to avoid injury to personnel.

NOTE

If kit 57K0467 is installed, do WP 0749 00.

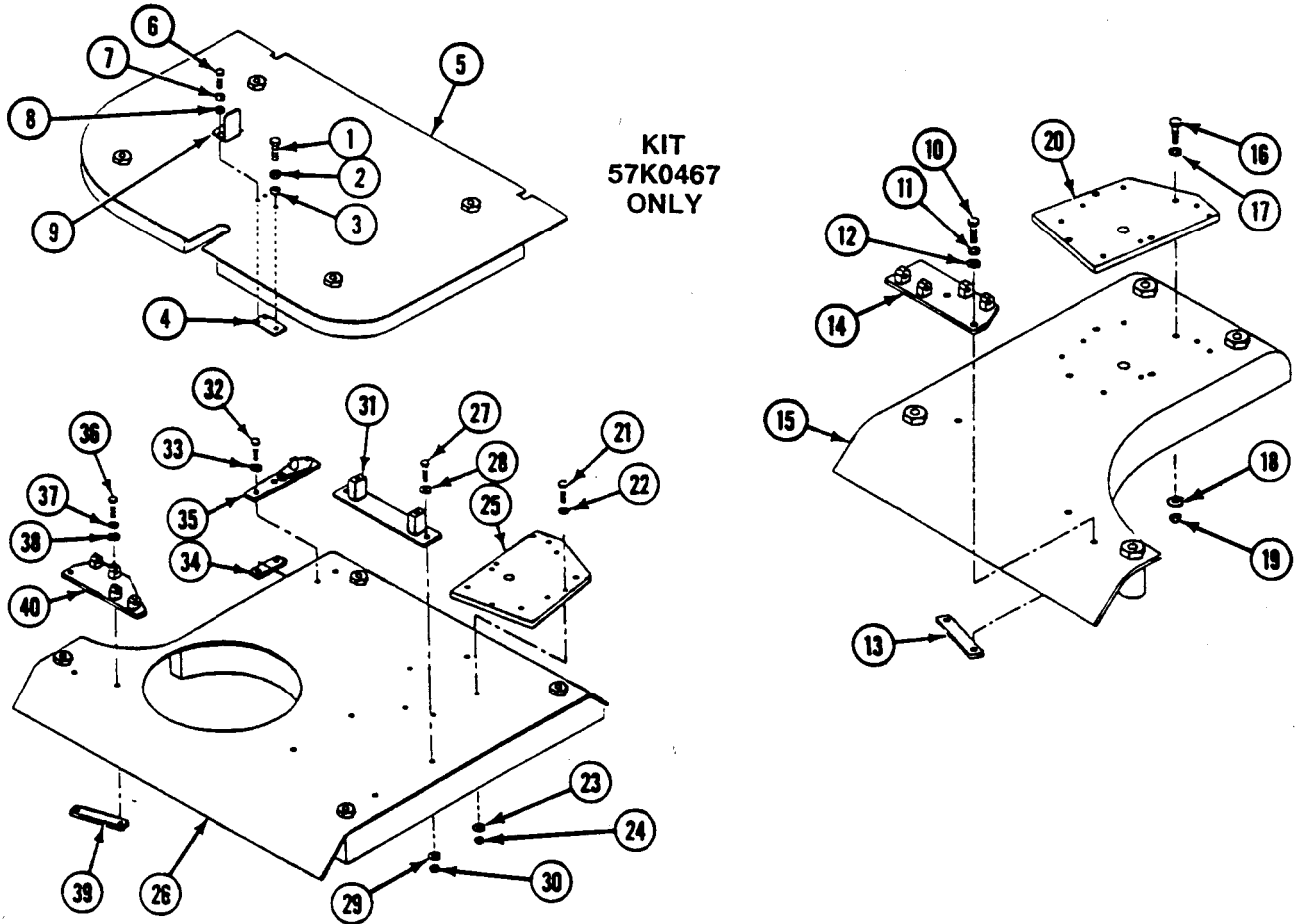
If kit 57K0429 is installed, do Steps 10 - 18.

1. Remove screw (1) with jam nut (2) and washer (3) from backing plate (4) and power plant door armor plate (5).
2. Remove jam nut (2) from screw (1).
3. Remove two screws (6), lockwashers (7), washers (8), backing plate (4), and latch stop (9), from power plant door armor plate (5). Discard lockwashers.
4. Remove two screws (10), lockwashers (11), washers (12), backing plate (13), and trim vane hinge (14) from front right armor plate (15). Discard lockwashers.
5. Remove four screws (16), washers (17)(18), locknuts (19) and bracket (20) from front right armor plate (15). Discard locknuts.
6. Remove four screws (21), washers (22)(23), locknuts (24), and bracket (25) from front left armor plate (26). Discard locknuts.
7. Remove four screws (27), washers (28)(29), locknuts (30), and two track shoe brackets (31) from front left armor plate (26). Discard locknuts.
8. Remove two screws (32), washers (33), backing plate (34), and trim vane strike (35) from front left armor plate (26).

REPLACE FRONT ARMOR (M113A3 ONLY) — Continued

0749 00

9. Remove two screws (36), lockwashers (37), washers (38), backing plate (39), and trim vane hinge (40) from front left armor plate (26). Discard lockwashers.



WARNING



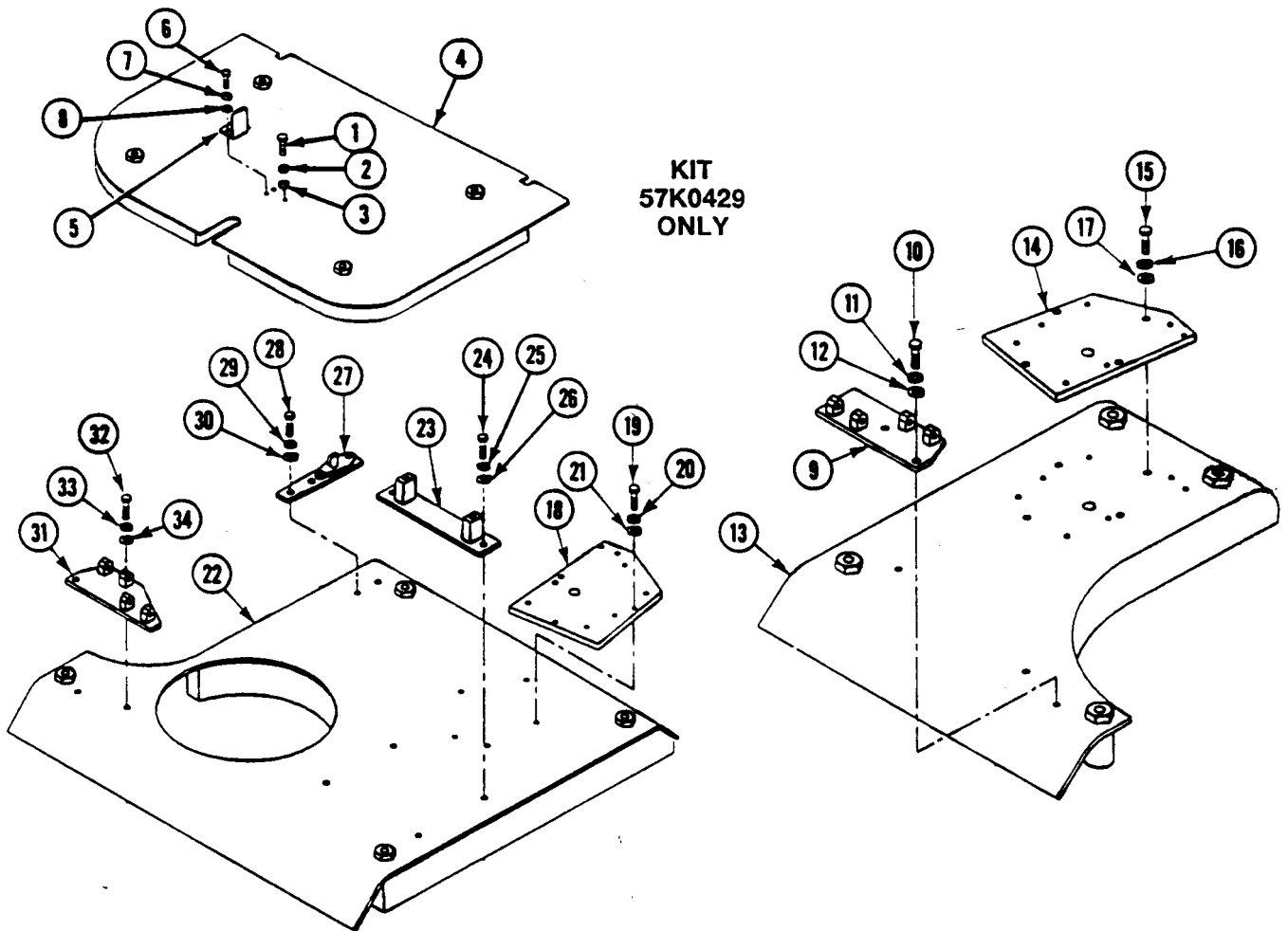
Armor plates are heavy. Be sure to support plate properly to avoid injury to personnel.

10. Remove screw (1) with jam nut (2) and washer (3) from power plant door armor plate (4).
11. Remove jam nut (2) from screw (1).
12. Remove latch stop (5), two screws (6), lockwashers (7), and washers (8) from power plant door armor plate (4). Discard lockwashers.
13. Remove trim vane hinge (9), two screws (10), lockwashers (11), and washers (12), from front right armor plate (13). Discard lockwashers.

REPLACE FRONT ARMOR (M113A3 ONLY) — Continued

0749 00

14. Remove bracket (14), four screws (15), lockwashers (16), and washers (17) from front right armor plate (13). Discard lockwashers.
15. Remove bracket (18), four screws (19), lockwashers (20), and washers (21) from front left armor plate (22). Discard lockwashers.
16. Remove two track shoe brackets (23), four screws (24), lockwashers (25), and washers (26) from front left armor plate (22). Discard lockwashers.
17. Remove trim vane strike (27), two screws (28), lockwashers (29), and washers (30) from front left armor plate (22). Discard lockwashers.
18. Remove trim vane hinge (31), two screws (32), lockwashers (33), and washers (34) from front left armor plate (22). Discard lockwashers.



ASSEMBLY

WARNING

Armor plates are heavy. Be sure to support plate properly to avoid injury to personnel.

NOTE

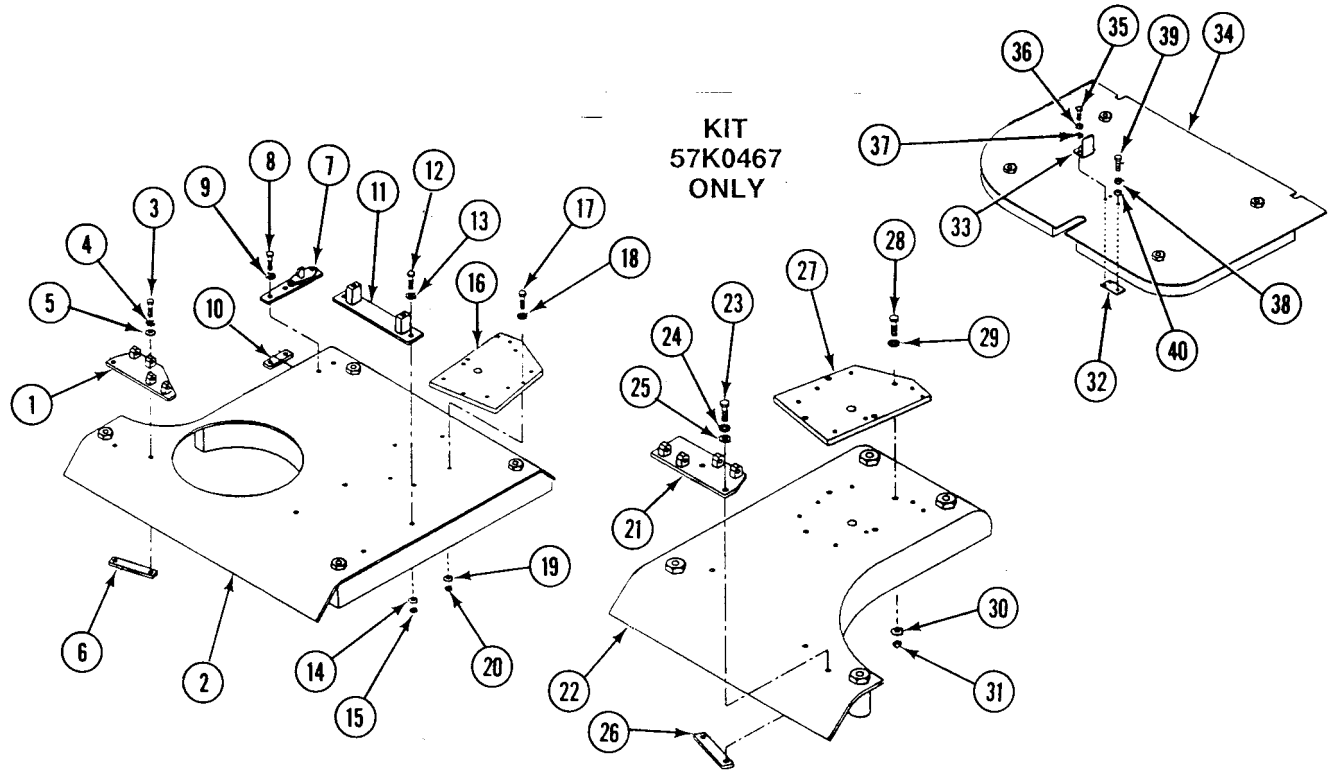
If installing kit 57K0467, do Steps 1 - 10.

If installing kit 57K0429, do Steps 11 - 19.

Make sure armor plate mounting holes in hull are clean.

1. Install trim vane hinge (1) on front left armor plate (2) with two screws (3), new lockwashers (4), washers (5), and backing plate (6).
2. Install trim vane strike (7) on front left armor plate (2) with two screws (8), washers (9), and backing plate (10).
3. Install two track shoe brackets (11) on front left armor plate (2) with four screws (12), washers (13)(14), and new locknuts (15). Use knife or chisel to remove foam on back of front left armor plate (2) so locknuts (15) can be attached to screws (12).
4. Install bracket (16) on front left armor plate (2) with four screws (17), washers (18)(19), and new locknuts (20).
5. Install trim vane hinge (21) on front right armor plate (22) with two screws (23), new lockwashers (24), washers (25), and backing plate (26).
6. Install bracket (27) to front right armor plate (22) with four screws (28), washers (29)(30), and new locknuts (31).
7. Apply sealing compound to top surface of backing plate (32).
8. Install latch stop (33) on power plant door armor plate (34) with two screws (35), new lockwashers (36), washers (37), and backing plate (32).
9. Thread jam nut (38) on detent screw (39) to end of threads.

10. Insert detent screw (39) with nut (38). Installed, through washer (40) and door plate (34) into backing plate (32) until threads of detent screw (39) bottom out. Do not tighten detent screw (39) or jam nut (38) yet.



WARNING



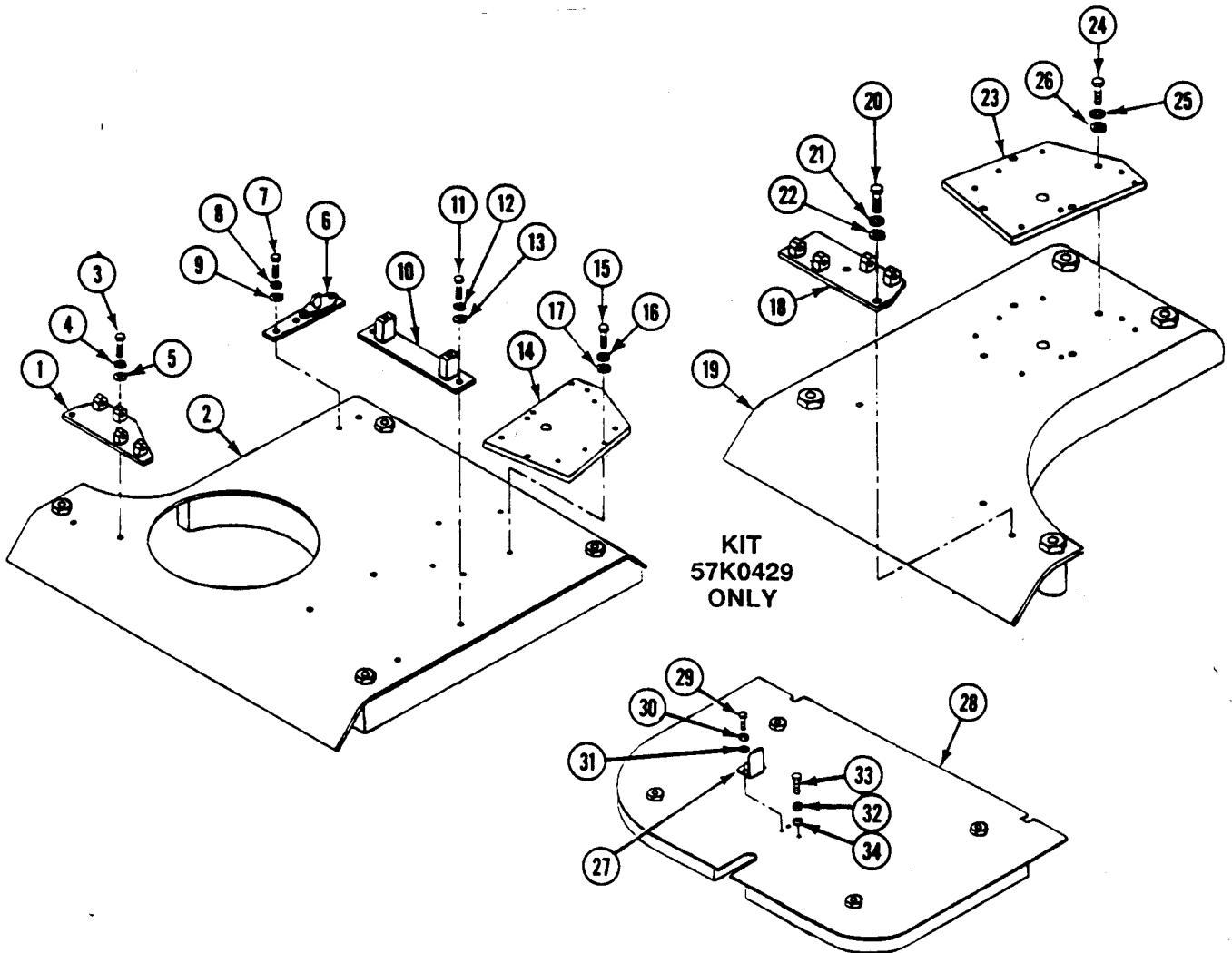
Armor plates are heavy. Be sure to support plate properly to avoid injury to personnel.

11. Install trim vane hinge (1) on front left armor plate (2) with two screws (3), new lockwashers (4), and washers (5).
12. Install trim vane strike (6) on front left armor plate (2) with two screws (7), new lockwashers (8), and washers (9).
13. Install two track shoe brackets (10) on front left armor plate (2) with four screws (11), new lockwashers (12), and washers (13).
14. Install bracket (14) on front left armor plate (2) with four screws (15), new lockwashers (16), and washers (17).
15. Install trim vane hinge (18) on front right armor plate (19) with two screws (20), new lockwashers (21), and washers (22).
16. Install bracket (23) on front right armor plate (19) with four screws (24), new lockwashers (25), and washers (26).
17. Install latch stop (27) on power plant door armor plate (28) with two screws (29), new lockwashers (30), and washers (31).
18. Thread jam nut (32) on detent screw (33) to end of threads.

REPLACE FRONT ARMOR (M113A3 ONLY) — Continued

0749 00

19. Insert detent screw (33) with nut (32) installed, through washer (34) and into door plate (28) until threads of detent screw (33) bottom out. Do not tighten detent screw (33) or jam nut (32) yet.



INSTALLATION

1. Install extension (1) on plate (2) with two new lockwashers (3), washers (4), and new screws (5).
2. Install handle (6) on extension (1) with two screws (7), new lockwashers (8), and washers (9).

WARNING



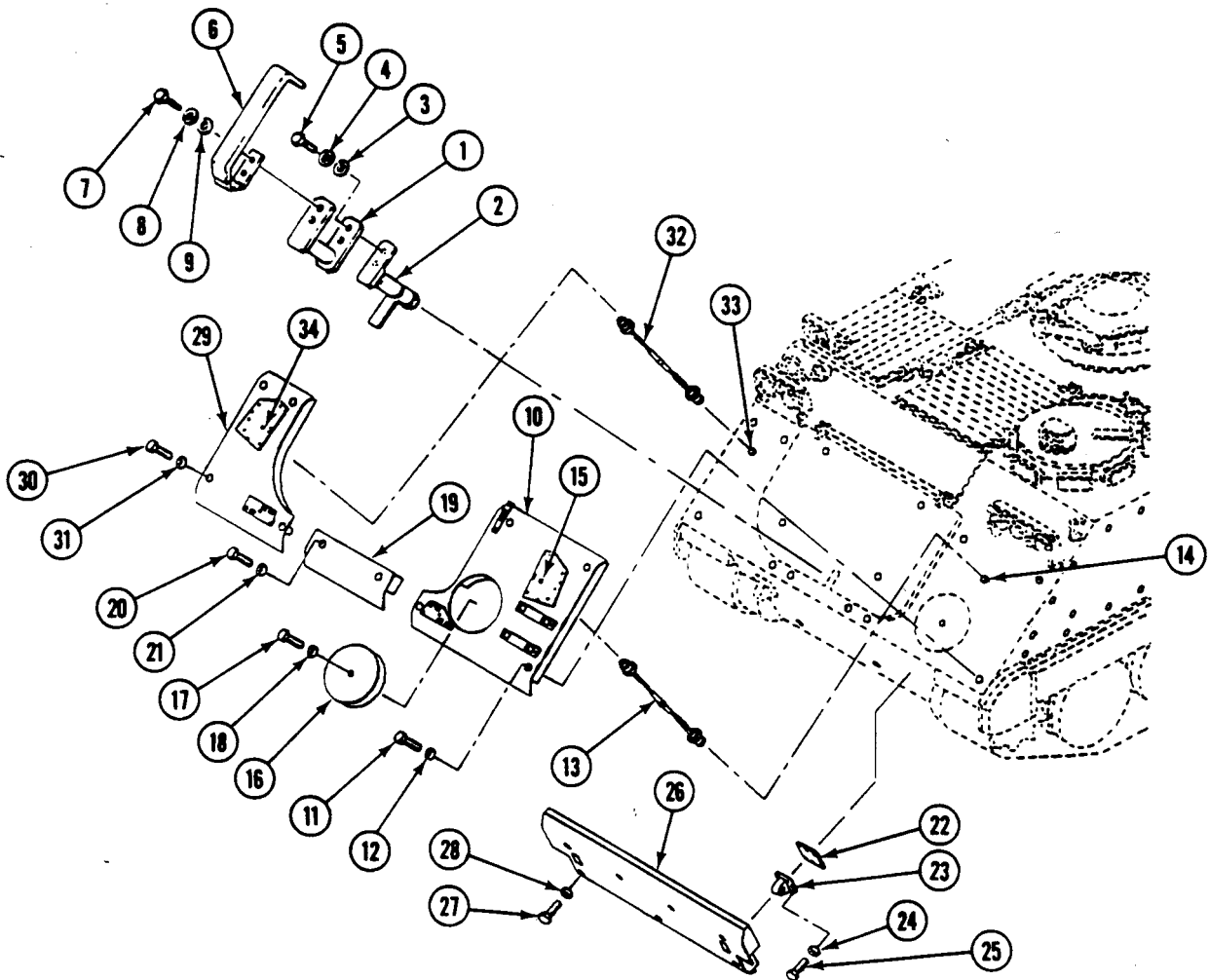
Armor plates are heavy. Be sure to support plate properly to avoid injury to personnel.

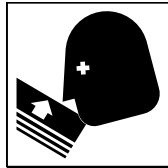
3. Install front left armor plate (10) on hull with four screws (11) and washers (12).

REPLACE FRONT ARMOR (M113A3 ONLY) — Continued

0749 00

4. Connect extension harness (13) to smoke grenade launcher harness (14) and push through hole (15) in front left armor plate (10).
5. Install access cover (16) with screw (17) and washer (18).
6. Install armor plate (19) on front center of vehicle with two screws (20) and washers (21).
7. Install two spacer plates (22) and towing eyes (23) on hull with twelve washers (24) and screws (25).
8. Install armor plate (26) on lower front center of vehicle with seven screws (27) and fourteen washers (28) as required.
9. Install front right armor plate (29) on hull with screws (30) and washers (31).
10. Connect extension harness (32) to smoke grenade launcher harness (33) and push through hole (34) in front right armor plate (29).

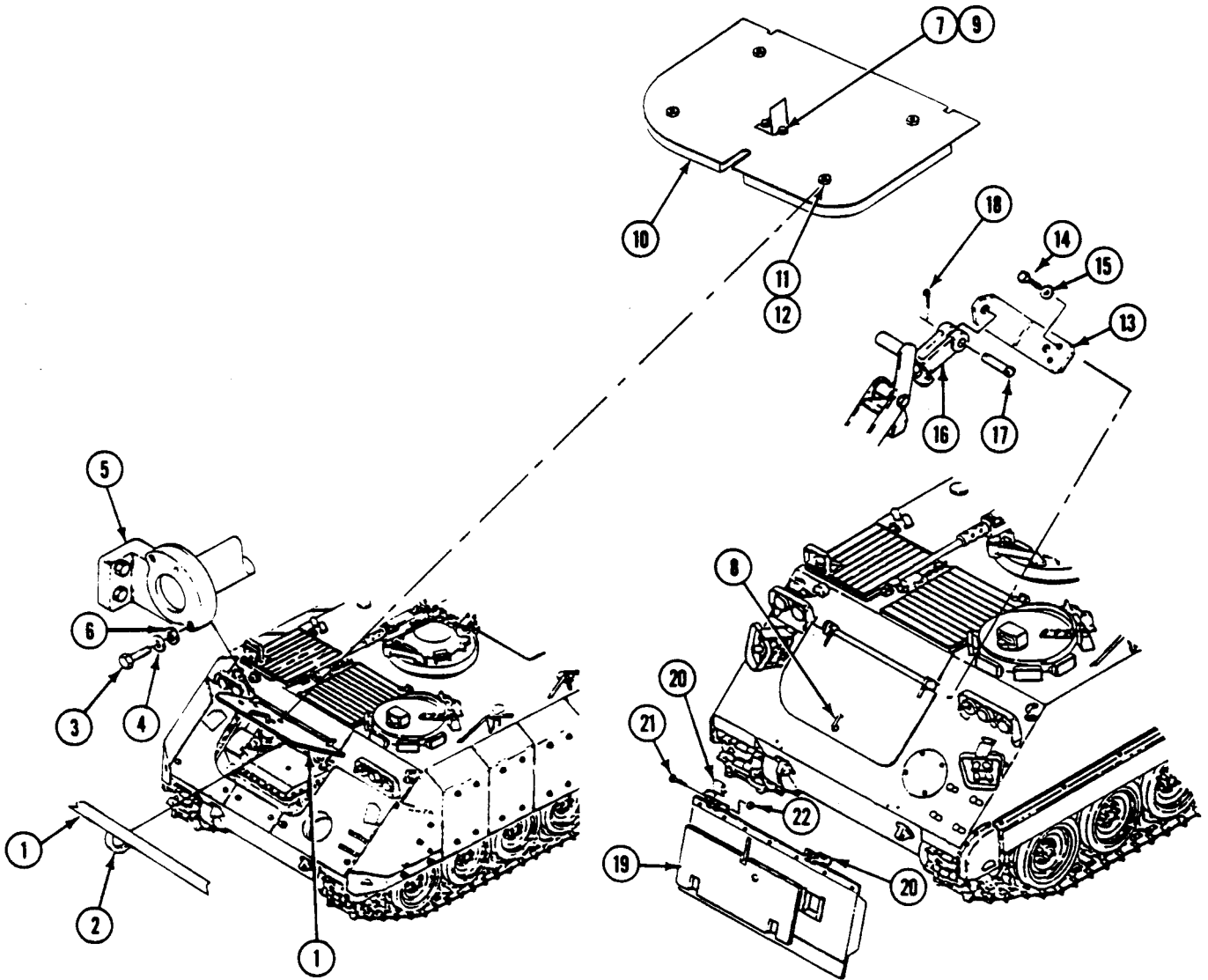


WARNING

Power plant door contains a loaded torsional spring assembly. To avoid injury to personnel, door must be raised to neutral position before removing two housing screws.

11. Raise power plant door (1) 120-130 degrees from closed position.
12. Attach lifting device to door lifting eye (2).
13. Remove two screws (3) and washers (4) from housing (5).
14. Rotate housing (5) toward top of carrier (counterclockwise), until second set of screw holes are aligned.
15. Reinstall two screws (3), washers (4), and new lockwashers (6) on housing (5). Detach lifting device and lower door (1).
16. Loosen detent screw (7) until access door handle (8) rubs screw head. Tighten jam nut (9).
17. Install armor plate (10) on power plant door (1) with four screws (11) and washers (12).
18. Install pivot bracket (13) on hull with two screws (14) and washers (15). Install clevis (16) on pivot bracket (13) with pin (17) and new cotter pin (18).

19. Install trim vane (19) and hinges (20) on carrier with four screws (21) and new locknuts (22).



FOLLOW-THROUGH STEPS

1. Raise and stow trim vane (see your -10).
2. Install smoke grenade launchers (WP 0455 00).

END OF TASK

REPLACE SIDE ARMOR/STOWAGE BOX (M113A3 ONLY)

0750 00

THIS WORK PACKAGE COVERS:

Removal (page 0750 00-1).
 Installation (page 0750 00-3).

INITIAL SETUP:

Maintenance Level

Unit

References

See your -10

Tools and Special Tools

General Mechanic's Tool Kit (WP 0926 00, Item 65)
 Lifting Device rated at 200 lb (91 kg) minimum

Equipment Condition

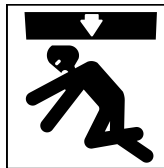
Engine stopped (see your -10)
 Carrier blocked (see your -10)

Personnel Required

Unit Mechanic
 Helper

REMOVAL

WARNING



Armor plates are heavy. Be sure to support plate properly to avoid injury to personnel. Use helper, lifting device, and support equipment as needed.

NOTE

Left and right armor/stowage boxes are replaced the same way.

NOTE

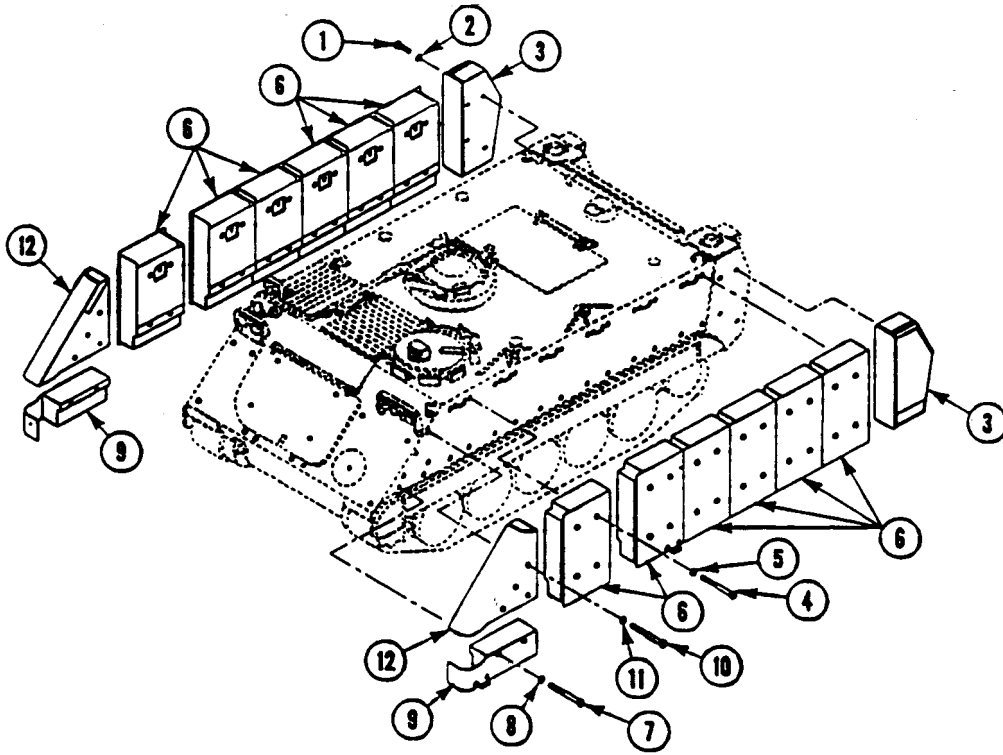
To remove stowage box, do Step 1; for side armor plate, do Step 2; for lower side plate, do Step 3; and for upper side plate, do Step 4.

1. Remove four screws (1), washers (2), and stowage box (3) from rear of carrier.

REPLACE SIDE ARMOR/STOWAGE BOX (M113A3 ONLY) — Continued

0750 00

2. Remove 24 screws (4), washers (5), and six armor plates (6) from side of carrier.
3. Remove two screws (7), washers (8), and lower side plate (9) from carrier.
4. Remove four screws (10), washers (11), and upper side plate (12) from carrier.

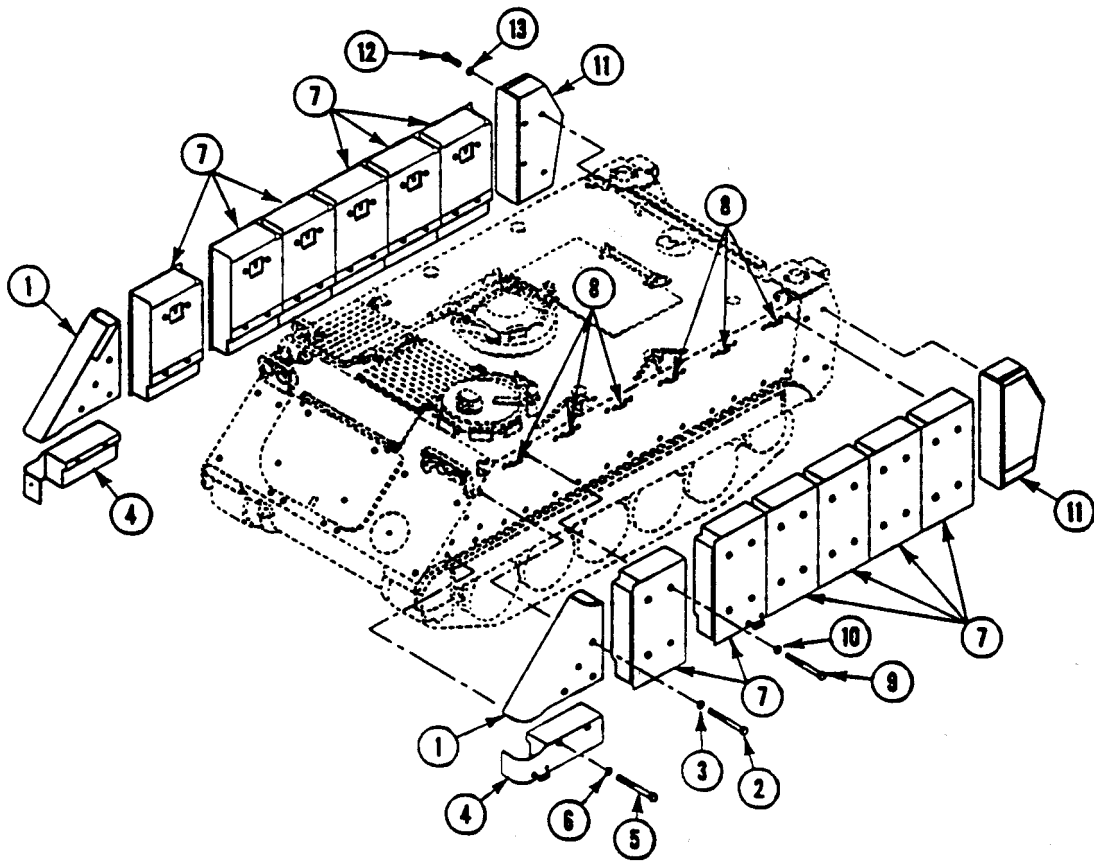


INSTALLATION

NOTE

To install upper side plate, do Step 1; for lower side plate, do Step 2; for side armor plate, do Step 3; and for stowage box, do Step 4.

1. Install upper side plate (1) on carrier with four screws (2) and washers (3).
2. Install lower side plate (4) on carrier with four screws (5) and washers (6).
3. Install six side armor plates (7) on carrier by attaching hooks on back of plates to footman loops (8), and securing with 24 screws (9) and washers (10).
4. Install stowage box (11) on rear of carrier with four screws (12) and washers (13).



END OF TASK

REPLACE REAR ARMOR (M113A3 ONLY)

0751 00

THIS WORK PACKAGE COVERS:

Removal (page 0751 00-1).
 Installation (page 0751 00-5).

INITIAL SETUP:

Maintenance Level

Unit

Personnel Required

Unit Mechanic

Helper (H)

Tools and Special Tools

General Mechanic's Tool Kit (WP 0926 00, Item 65)
 Torque Wrench Adapter (WP 0926 00, Item 1)
 Torque Wrench (WP 0926 00, Item 86)
 Lifting Device rated at 200 lb (91 kg) minimum

References

See your -10

Materials/Parts

Locknut (spaced armor only) (14)
 Locknut
 Lockwasher (4)
 Shim (2)
 Shim (2)

Equipment Condition

Engine stopped (see your -10)

Carrier blocked (see your -10)

REMOVAL

WARNING



Armor plates are heavy. Support plate properly to avoid injury. Use helper, lifting device, and support equipment as needed.

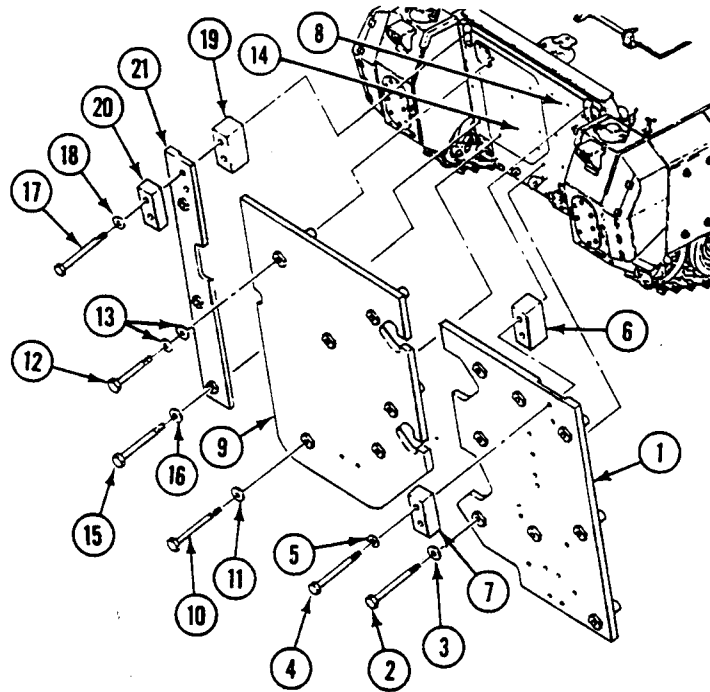
NOTE

Armor kit 57K0567 (spaced armor) and armor kit 57K0429 (solid armor) are removed and installed the same way, except locknuts are not used on the solid armor. Screws securing parts to solid armor are threaded directly into the armor plates.

1. Attach lifting device to right rear armor plate (1).

REPLACE REAR ARMOR (M113A3 ONLY) — Continued**0751 00**

2. Remove eight screws (2), washers (3), two screws (4), washers (5), support (6), pad (7), and armor plate (1) from ramp (8). Remove lifting device.
3. Attach lifting device to ramp door armor plate (9).
4. Remove five screws (10), washers (11), left corner screw (12), two washers (13), and armor plate (9) from ramp door (14). Remove lifting device.
5. Remove three screws (15), washers (16), two screws (17), washers (18), support (19), pad (20), and left armor plate (21) from ramp (8). Have helper assist.

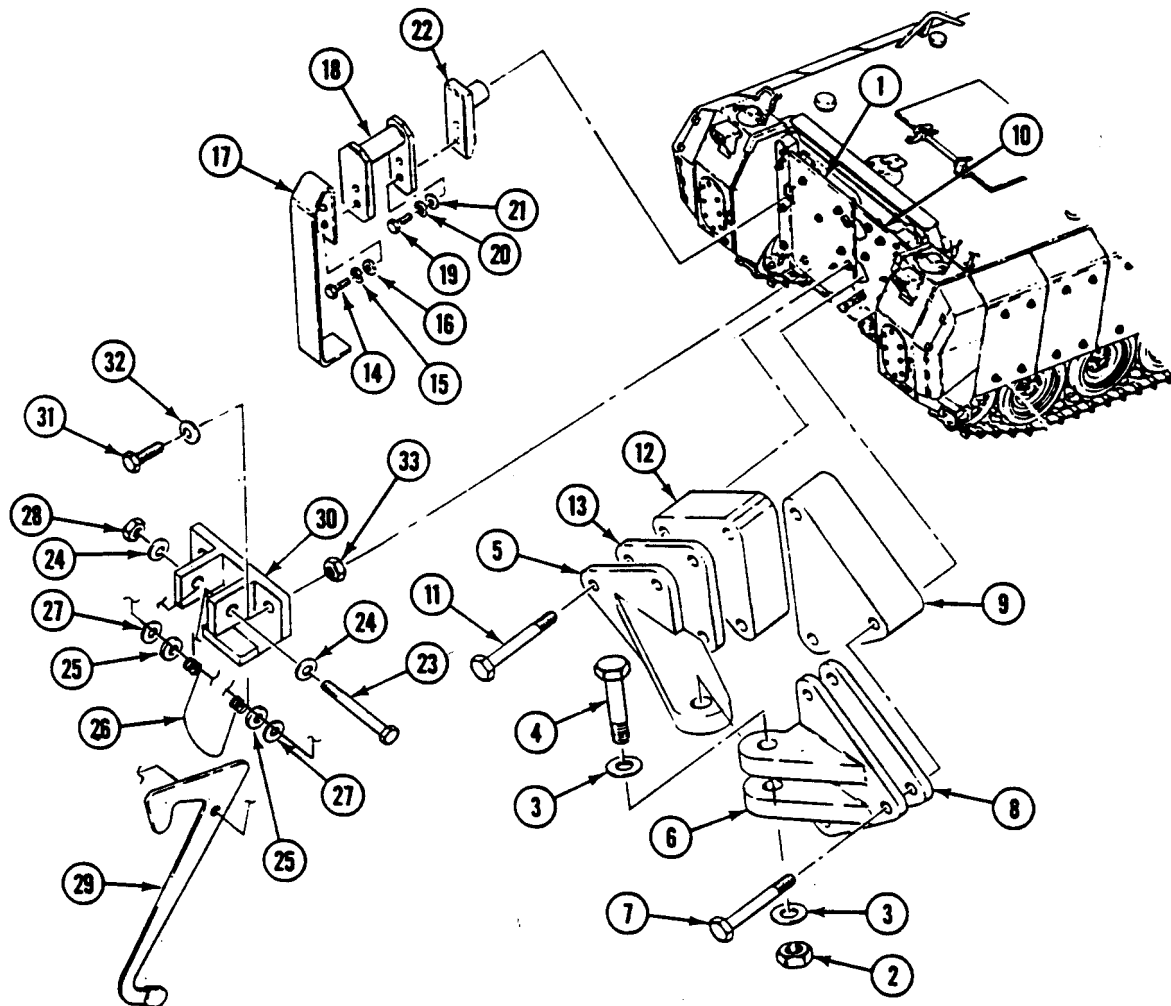
**WARNING**

Ramp door could fall and injure you. Make sure door is supported properly by a lifting device before removing hinge screws.

REPLACE REAR ARMOR (M113A3 ONLY) — Continued

0751 00

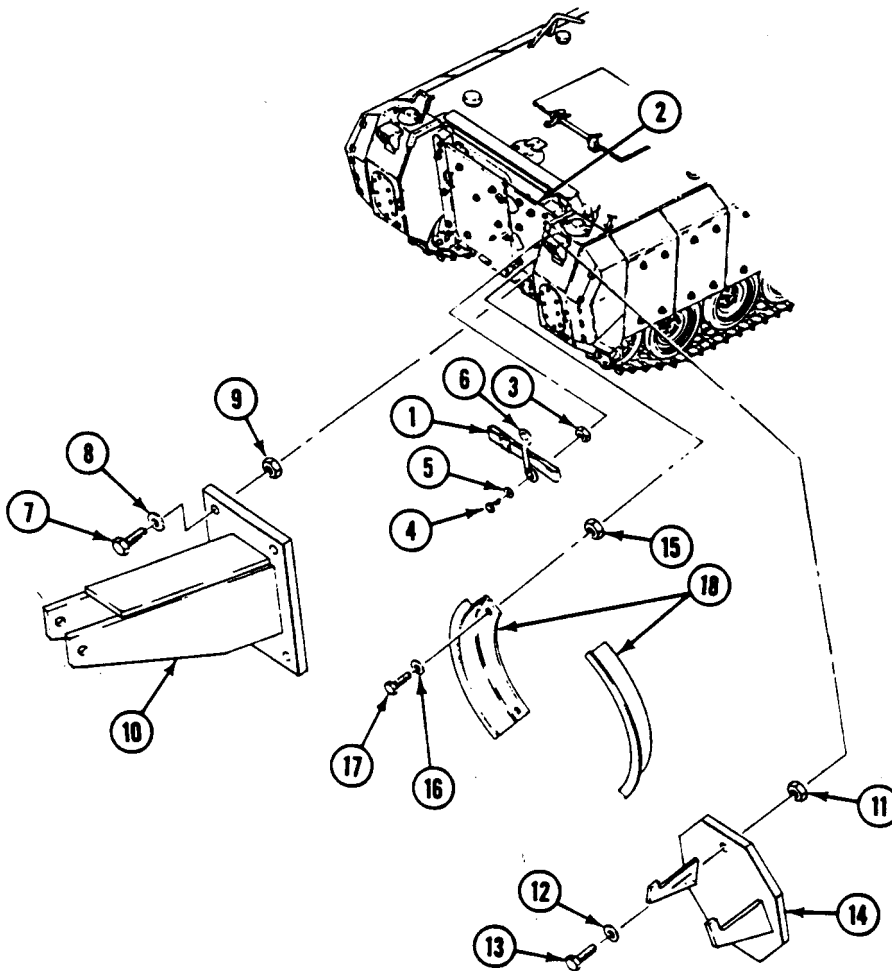
6. Open ramp door (1) and attach lifting device.
7. Remove two nuts (2), four washers (3), and two screws (4) from ramp door hinge halves (5) and (6). Remove ramp door (1) from carrier. Remove lifting device. Have helper assist.
8. Remove six screws (7), two shims (8), spacers (9), and two hinge halves (6) from ramp (10). Discard shims.
9. Remove six screws (11), two spacers (12), shims (13), and two hinge halves (5) from ramp door (1). Discard shims.
10. Remove two screws (14), lockwashers (15), washers (16), and handle (17) from extension (18). Discard lockwashers.
11. Remove two screws (19), lockwashers (20), washers (21), and extension (18) from bracket (22). Discard lockwashers.
12. Remove screw (23), two washers (24), two spacers (25), spring (26), two washers (27), locknut (28), and hook (29) from bracket (30). Discard locknut.
13. Remove two screws (31), washers (32), locknuts (spaced armor only) (33), and bracket (30) from ramp door armor plate (1). Discard locknuts.



REPLACE REAR ARMOR (M113A3 ONLY) — Continued

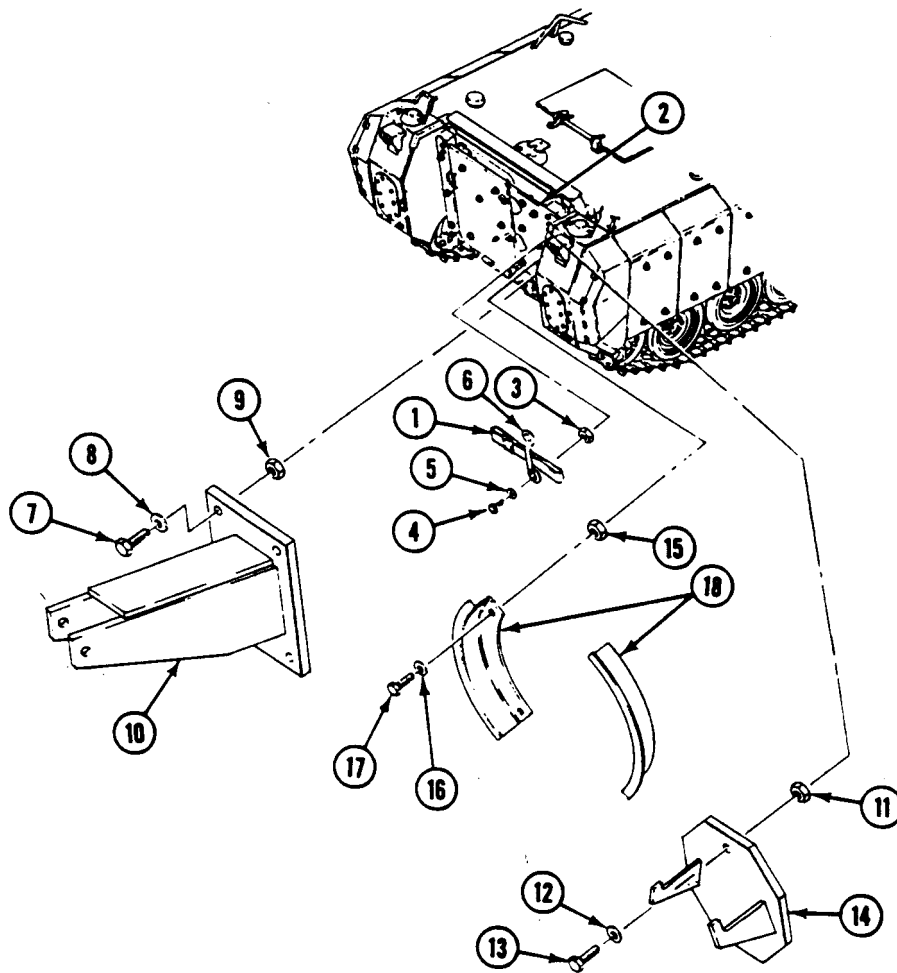
0751 00

14. Remove strap (1) from right rear armor plate (2).
15. Remove two locknuts (spaced armor only) (3), screws (4), washers (5), and footman loop (6) from right rear armor plate (2). Discard locknuts.
16. Remove four screws (7), washers (8), locknuts (spaced armor only) (9), and bracket (10) from right rear armor plate (2). Discard locknuts.
17. Remove two locknuts (spaced armor only) (11), washers (12), screws (13), and bracket (14) from right rear armor plate (2). Discard locknuts.
18. Remove four locknuts (spaced armor only) (15), washers (16), screws (17), and two brackets (18) from right rear armor plate (2). Discard locknuts.



INSTALLATION

1. Install two brackets (18), four screws (17), washers (16), and new locknuts (spaced armor only) (15) on right rear armor plate (2).
2. Install bracket (14), two screws (13), washers (12), and new locknuts (spaced armor only) (11) on right rear armor plate (2).
3. Install bracket (10), four screws (7), washers (8), and new locknuts (spaced armor only) (9) on right rear armor plate (2).
4. Install footman loop (6), two screws (4), washers (5), and new locknuts (spaced armor only) (3) on right rear armor plate (2).
5. Install strap (1) on right rear armor plate (2).



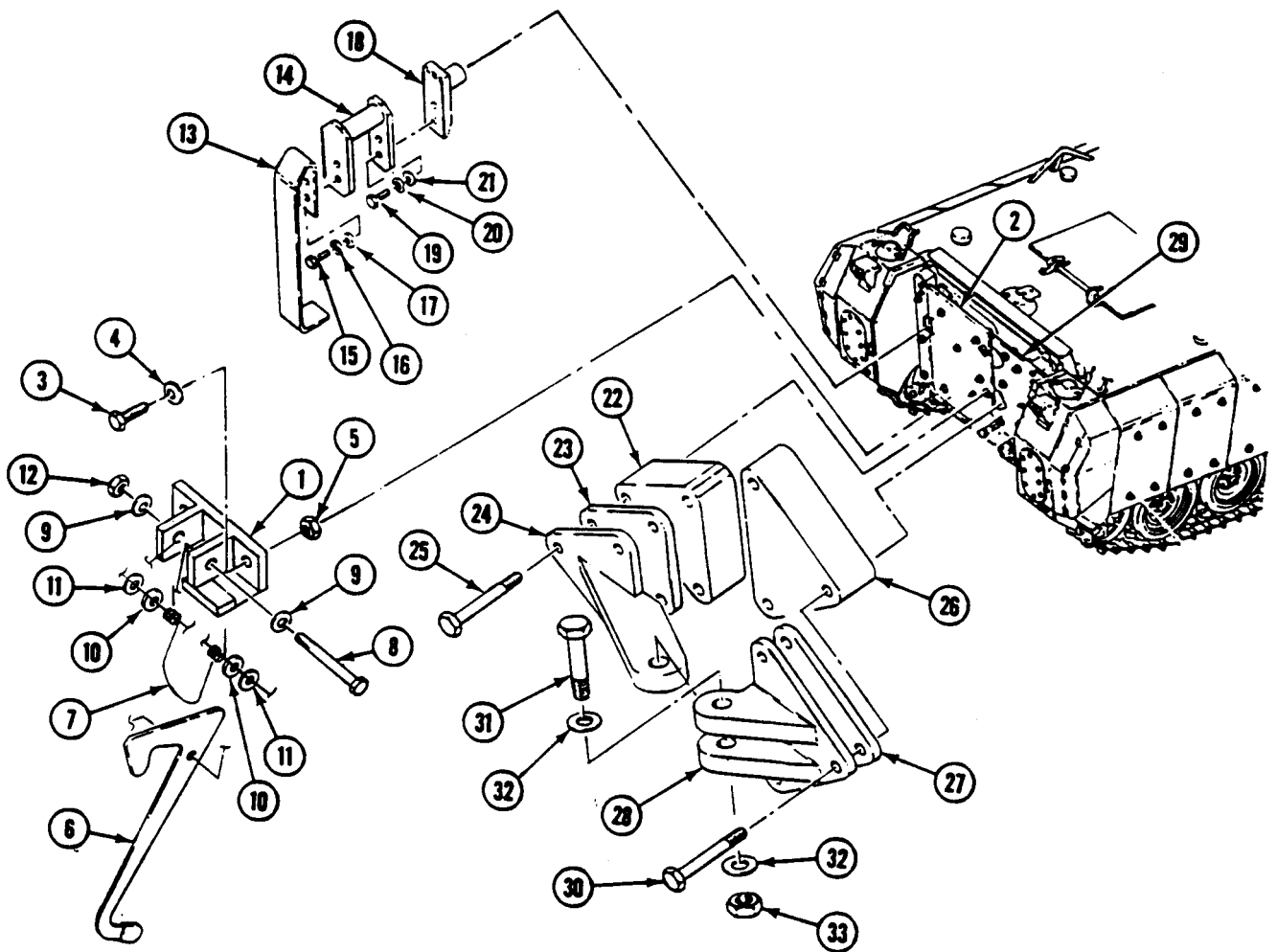
6. Install bracket (1) on ramp door armor plate (2). Secure with two screws (3), washers (4), and new locknuts (spaced armor only) (5).
7. Install hook (6) and spring (7) on bracket (1). Secure with screw (8), two washers (9), spacers (10), washers (11), and new locknut (12).

WARNING



Ramp door is heavy. Support door properly to avoid injury. Use helper, lifting device, and support equipment as needed.

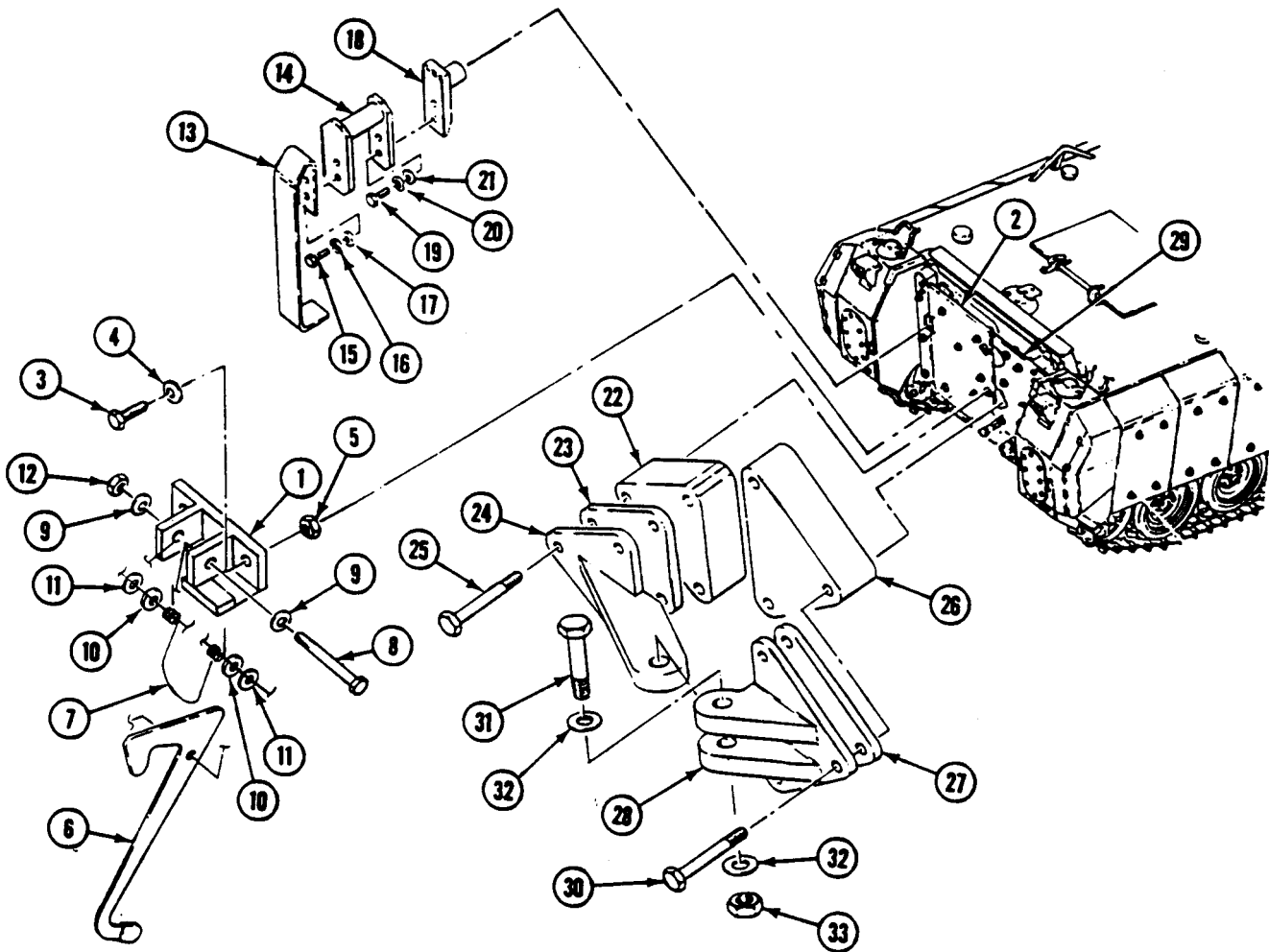
8. Install handle (13) on extension (14). Secure with two screws (15), new lockwashers (16), and washers (17). Attach handle and extension to bracket (18) with two screws (19), new lockwashers (20), and washers (21).



NOTE

For proper alignment and sealing of ramp door, install washers between door and ramp hinges to keep outer edges of door flush with ramp weld, within 1/16 inch (1.5 mm).

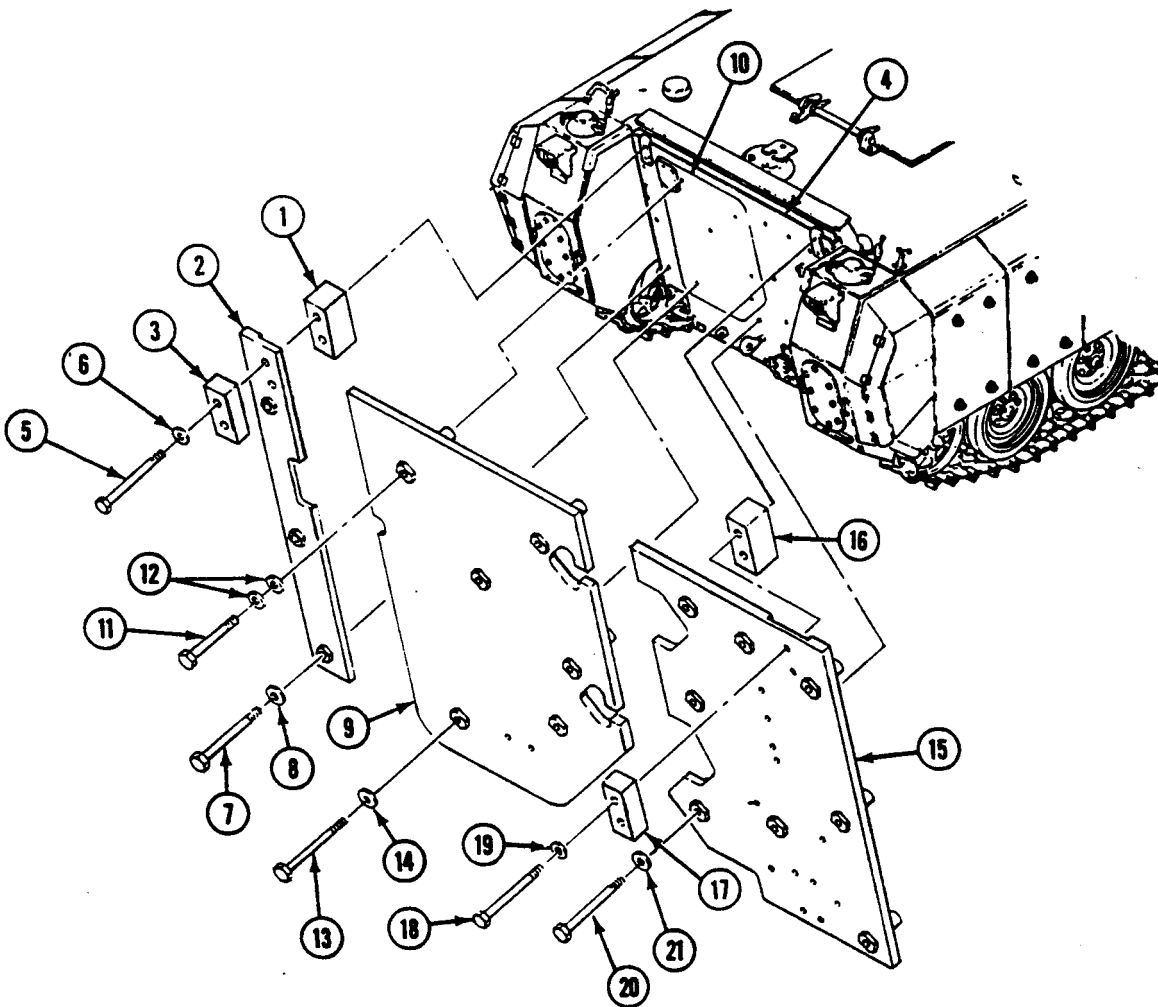
9. Install two spacers (22), new shims (23), and two hinge halves (24) on ramp door (2). Secure with six screws (25). Hand tighten screws.
10. Install two spacers (26), new shims (27), and two hinge halves (28) on ramp (29). Secure with six screws (30). Hand tighten screws.
11. Attach lifting device to ramp door (2) and position door in ramp (29).
12. Align two hinge halves (24) with hinge halves (28). Secure with two screws (31), four washers (32), and two nuts (33). Remove lifting device and close door.
13. TIGHTEN 12 SCREWS (25)(30) TO 107-118 LB-FT (145-160 N·m) TORQUE.



WARNING

Armor plates are heavy. Support armor plate properly to avoid injury. Use helper, lifting device, and support equipment as needed.

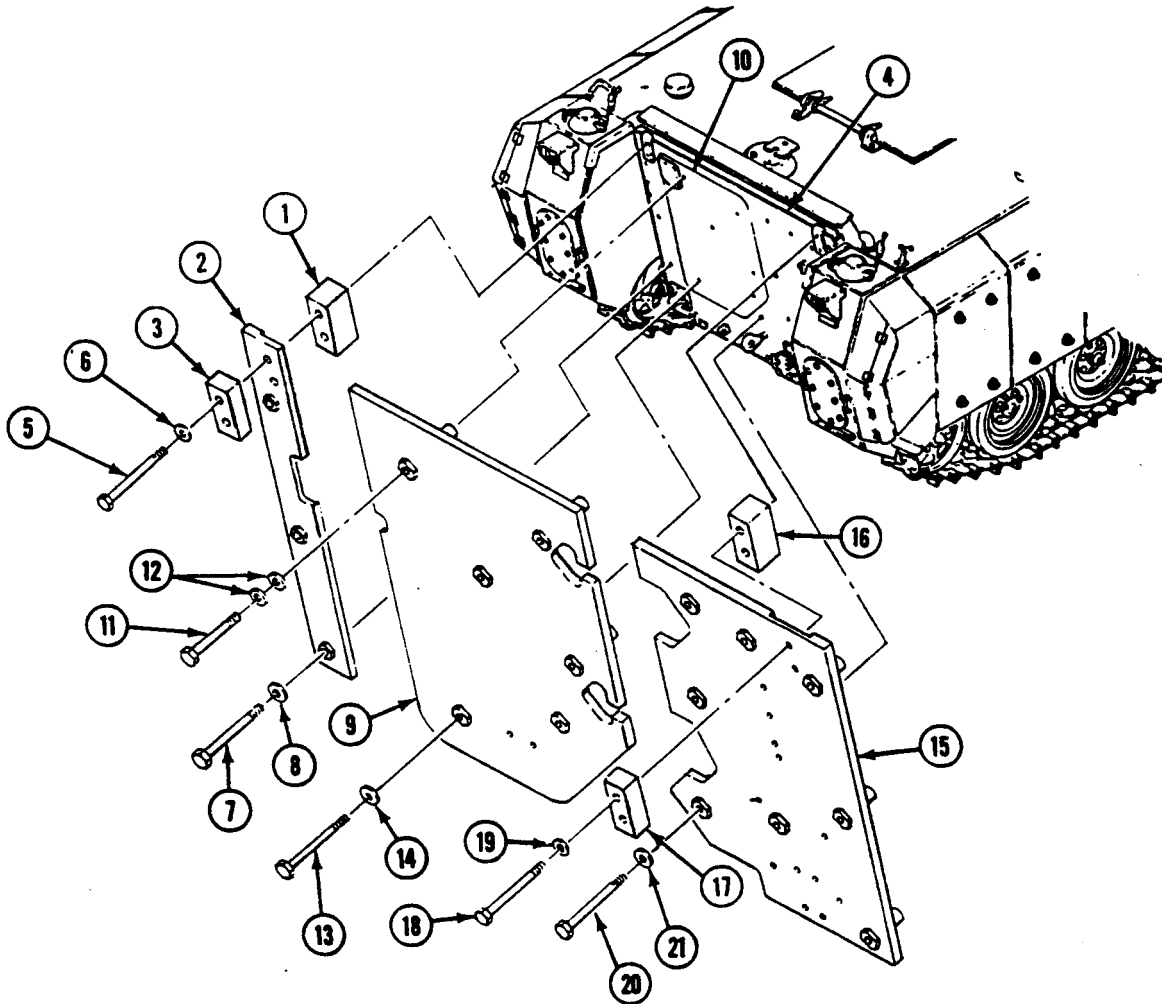
14. Attach support (1), left rear armor plate (2), and pad (3) to ramp (4) with two screws (5) and washers (6). Have helper assist.
15. Secure armor plate (2) to ramp (4) with three screws (7) and washers (8).



REPLACE REAR ARMOR (M113A3 ONLY) — Continued

0751 00

16. Attach lifting device to ramp door armor plate (9) and align armor plate on ramp door (10). Attach armor plate to ramp door at upper left corner with screw (11) and washer (12). Secure armor plate to ramp door with five screws (13) and washers (14).
17. Attach lifting device to right rear armor plate (15). Align support (16), armor plate (15), and pad (17) on ramp (4). Secure with two screws (18) and washers (19).
18. Secure right rear armor plate (15) with eight screws (20) and washers (21). Remove lifting device.



END OF TASK

INSTALL/REMOVE MINE ARMOR KIT (M113A3 ONLY)

0752 00

THIS WORK PACKAGE COVERS:

Installation (page 0752 00-1).
Removal (page 0752 00-3).

INITIAL SETUP:

Maintenance Level

Unit

Personnel Required

Unit Mechanic
Helper (H)

Tools and Special Tools

General Mechanic's Tool Kit (WP 0926 00, Item 65)
Hydraulic Jack (WP 0926 00, Item 27)
Torque Wrench (WP 0926 00, Item 84)

References

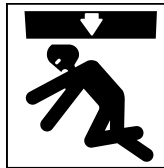
See your -10

Equipment Condition

Engine stopped (see your -10)
Carrier blocked (see your -10)

INSTALLATION

WARNING



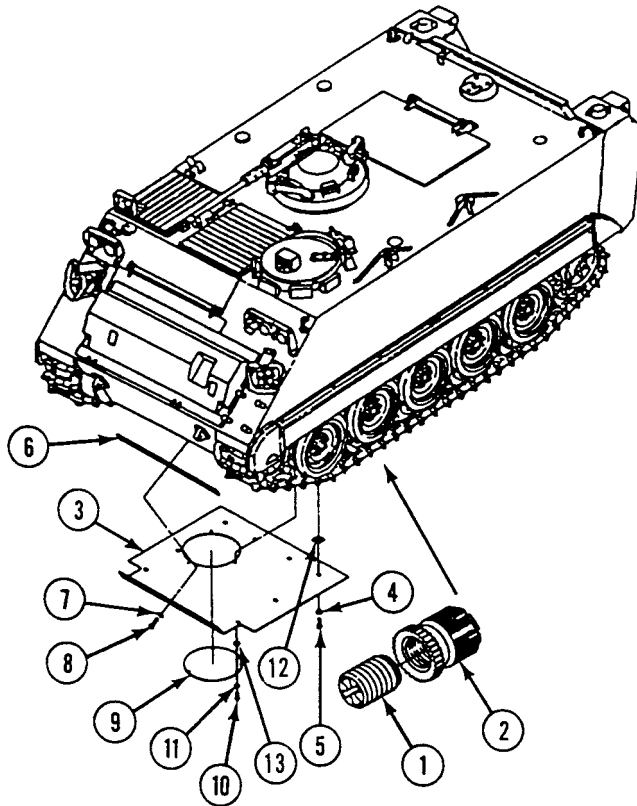
Armor plate weighs approximately 250 lbs (114 kg). Be sure to support armor plate properly to avoid injury to personnel.

NOTE

Protective plugs are located in 14 mounting holes for mine armor kit.

1. Remove 14 protective plugs (1) from threaded inserts (2) under carrier.

2. Position armor plate (3) on four hydraulic jacks and raise to a height just below bottom of carrier. Have helper assist.
3. Remove blocks. Start engine (see your -10) and drive carrier over armor plate (3). Stop engine and block carrier. Have helper assist.
4. Align and position armor plate against bottom of carrier. Use jacks and pry bars. Have helper assist.
5. Install eight spacers (12) between armor plate (3) and bottom of carrier. Secure armor plate (3) with eight washers (4) and screws (5). Do not tighten.
6. Install spacer (6) between armor plate (3) and bottom slope of carrier. Secure with three washers (7) and screws (8). Have helper assist.
7. TIGHTEN THREE SCREWS (8) TO 54-59 LB-FT (73-80 N·m) TORQUE.
8. TIGHTEN EIGHT SCREWS (5) TO 107-118 LB-FT (145-160 N·m) TORQUE.
9. Install three spacers (13) and cover (9) on armor plate (3) under carrier. Secure with three screws (10) and washers (11). TIGHTEN SCREWS TO 54-59 LB-FT (73-80 N·m) TORQUE.



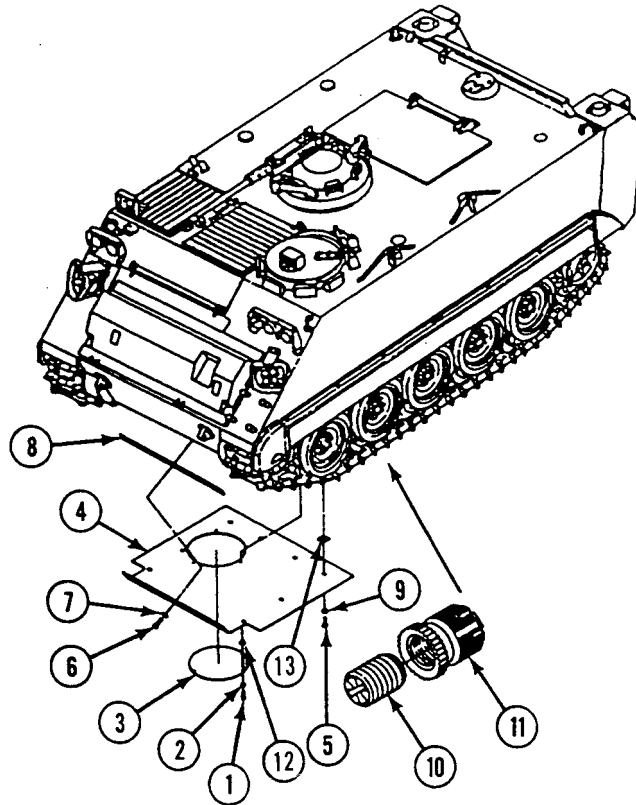
REMOVAL

WARNING



Armor plate weighs approximately 250 lbs (114 kg). Be sure to support armor plate properly to avoid injury to personnel.

1. Remove three screws (1), washers (2), cover (3), and three spacers (12) from bottom of carrier.
2. Support armor plate (4) with hydraulic jacks and loosen eight screws (5).
3. Remove three screws (6), washers (7), and spacer (8) from between armor plate (4) and bottom slope of carrier.
4. Carefully remove eight screws (5), washers (9), and spacers (13) from between armor plate (4) and carrier.
5. Lower armor plate (4) with hydraulic jacks. Remove blocks. Start engine (see your -10) and move carrier away from armor plate. Stop engine and block carrier.
6. Install 14 protective plugs (10) in threaded inserts (11) under carrier.



END OF TASK

REPLACE FOG OIL TANK MODULE (M1059A3 ONLY)

0753 00

THIS WORK PACKAGE COVERS:

Removal (page 0753 00-1).
 Installation (page 0753 00-4).

INITIAL SETUP:

Maintenance Level

Unit

References

See your -10
 TM 3-1040-283-10
 TM 3-1040-283-20&P

Tools and Special Tools

General Mechanic's Tool Kit (WP 0926 00, Item 65)
 Suitable Lifting Device

Equipment Condition

Engine stopped (see your -10)
 Carrier blocked (see your -10)
 Ramp level and blocked (see your -10)
 Circuit breaker CB1 OFF (TM 3-1040-283-10)
 Battery ground strap disconnected (WP 0337 00)
 Air pressure released from compressor reservoir
 (TM 3-1040-283-20&P)
 Fog oil tank drained (TM 3-1040-283-20&P)

Personnel Required

Unit Mechanic
 Helper (H)

REMOVAL

WARNING



Fog oil is slippery and can cause soldiers to fall and get injured. Clean up all spillage or leakage of fog oil as soon as possible by washing the area or absorbing the fog oil with sand or other absorbent material.

NOTE

Before you do any maintenance, discharge all capacitors to ground.

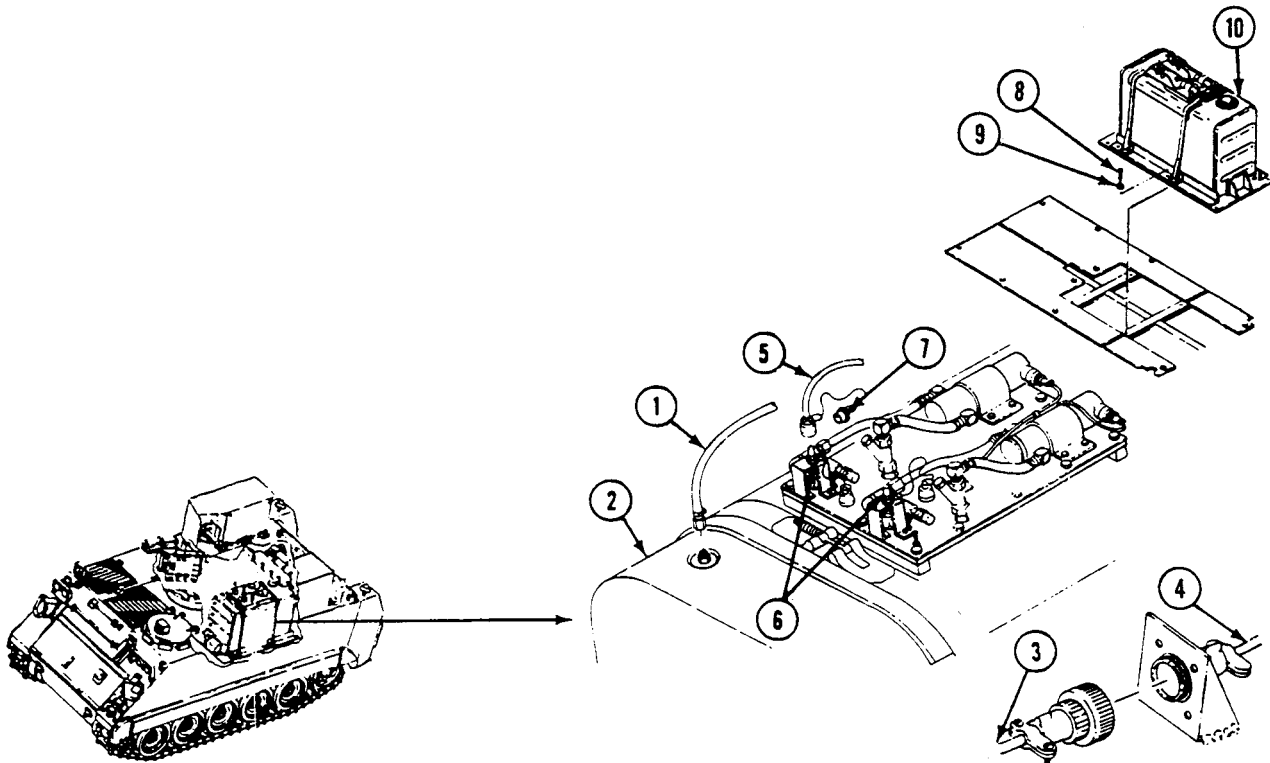
1. Remove breather hose (1) from fog oil tank (2).

2. Disconnect cable (3) from fog oil pump electrical cable assembly (4).
3. Disconnect two fog oil hoses (5) at quick disconnects (6).

NOTE

Do not install dust covers on quick disconnects until fog oil tank is clear of air compressor.

4. Install two safety caps (7) on two fog oil hoses (5).
5. Remove six screws (8) and washers (9) that secure fog oil tank module (10) to hull.



WARNING



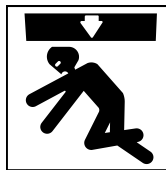
Lifting or moving objects in excess of 70 pounds (32 kilograms) could injure you. Make sure to get an assistant or use a lifting device to move fog oil tank, armor, or other heavy objects.

NOTE

Slide fog oil tank all the way to the left side of the carrier to clear air compressor for removal of tank from carrier.

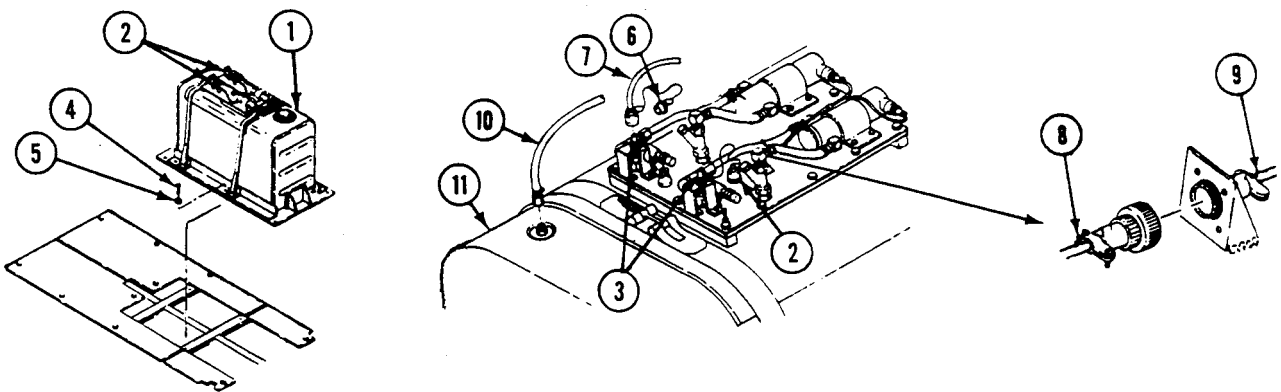
6. Slide fog oil tank module (1) on to ramp. Have helper assist.
7. Install two dust covers (2) on quick disconnect couplings (3).

WARNING



Hanging loads can kill or injure you. Keep away from hanging loads and overhead equipment. Keep hands away from pinch points.

8. Using a suitable lifting device, lower fog oil tank module (1) from ramp to ground.



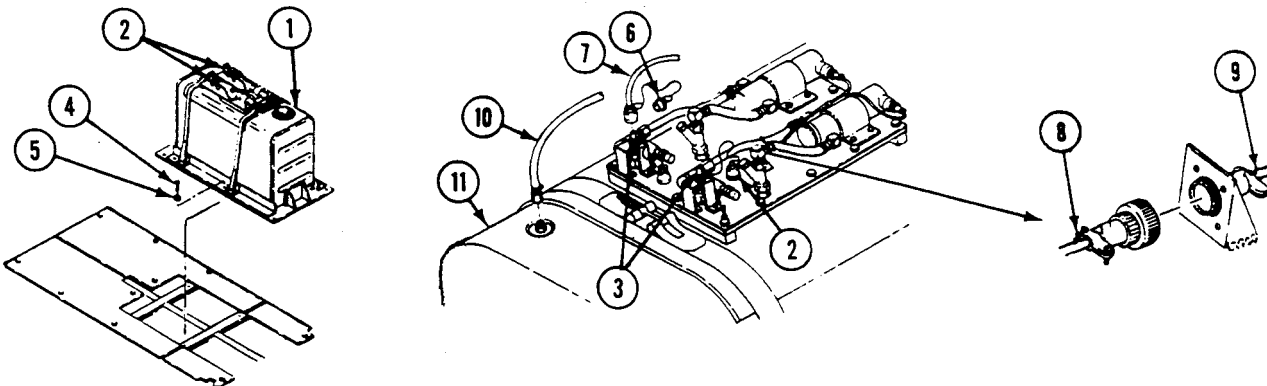
INSTALLATION

1. Using a suitable lifting device, raise fog oil tank module (1) from ground to ramp.
2. Remove two dust covers (2) from two quick disconnect couplings (3).

NOTE

Slide fog oil tank all the way to the left side of carrier to clear air compressor for installation of tank in carrier.

3. Slide fog oil tank module (1) on to hull cross members. Have helper assist. Secure to hull with six screws (4) and washers (5).
4. Remove two safety caps (6) from two fog oil hoses (7).
5. Connect two fog oil hoses (7) to two quick disconnect couplings (3).
6. Connect cable assembly (8) to fog oil pump electrical cable assembly (9).
7. Install breather hose (10) on fog oil tank (11).

**FOLLOW-THROUGH STEPS**

1. Connect battery ground strap (WP 0337 00).
2. Set circuit breaker CB1 to ON (TM 3-1040-283-10).
3. Service fog oil tank as required (TM 3-1040-283-20&P).
4. Start engine (see your -10).
5. Raise and lock ramp (see your -10).
6. Stop engine (see your -10).

END OF TASK

REPLACE SMOKE GENERATOR BREATHER HOSE ASSEMBLY (M1059A3 ONLY)

0754 00

THIS WORK PACKAGE COVERS:

Removal (page 0754 00-1).
 Installation (page 0754 00-3).

INITIAL SETUP:

Maintenance Level

Unit

Personnel Required

Unit Mechanic

Tools and Special Tools

General Mechanic's Tool Kit (WP 0926 00, Item 65)

References

See your -10

Materials/Parts

Lockwasher (2)

Equipment Condition

Engine stopped (see your -10)
 Carrier blocked (see your -10)

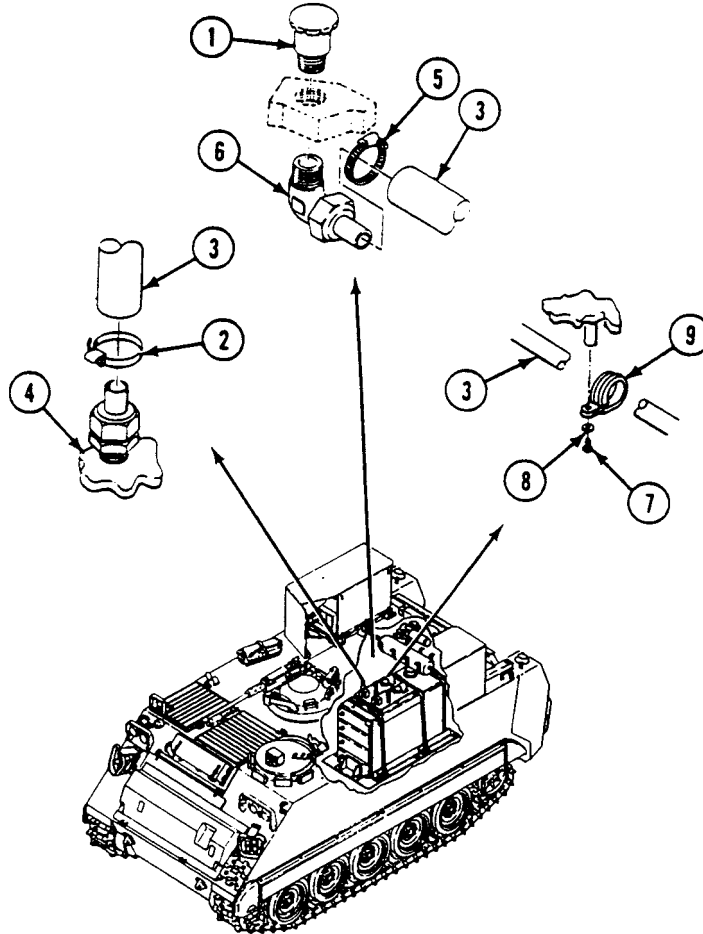
REMOVAL

1. Remove breather (1).
2. Loosen clamp (2) and remove hose assembly (3) from front of fog oil tank (4).
3. Loosen clamp (5) and remove hose assembly (3) from elbow (6) on hull ceiling.

REPLACE SMOKE GENERATOR BREATHER HOSE ASSEMBLY (M1059A3 ONLY) —
Continued

0754 00

4. Remove two screws (7), lockwashers (8), clamps (9), and hose assembly (3) from hull ceiling. Discard lockwashers.

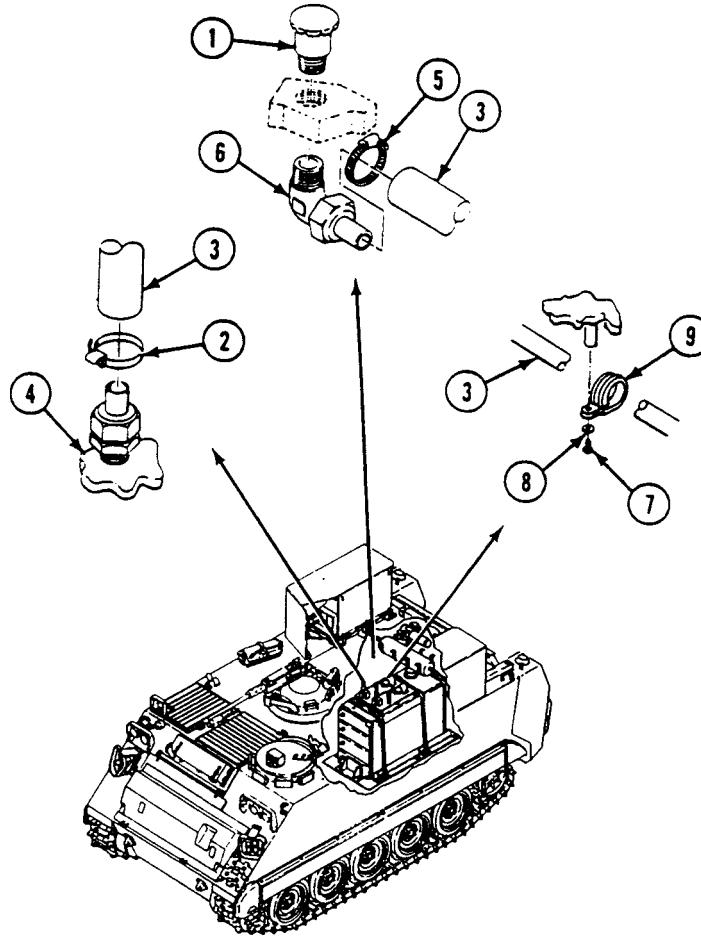


REPLACE SMOKE GENERATOR BREATHER HOSE ASSEMBLY (M1059A3 ONLY) —
Continued

0754 00

INSTALLATION

1. Secure hose assembly (3) to hull ceiling with two clamps (9), screws (7), and new lockwashers (8).
2. Install hose assembly (3) on elbow (6) on hull ceiling. Tighten clamp (5).
3. Install hose assembly (3) on fog oil tank tube (4). Tighten clamp (2).
4. Install breather (1).

**END OF TASK**

**REPLACE SMOKE GENERATOR ASSEMBLY AND SUPPORT BRACKET
(M1059A3 ONLY)**

0755 00

THIS WORK PACKAGE COVERS:

Removal (page 0755 00-1).
Installation (page 0755 00-3).

INITIAL SETUP:

Maintenance Level

Unit

References

See your -10
TM 3-1040-283-10
TM 3-1040-283-20&P

Tools and Special Tools

General Mechanic's Tool Kit (WP 0926 00, Item 65)
Torque Wrench (WP 0926 00, Item 85)
Suitable Lifting Device

Equipment Condition

Engine stopped (see your -10)
Carrier blocked (see your -10)
Circuit breaker CB1 OFF (TM 3-1040-283-10)
Battery ground strap disconnected (WP 0337 00)
Air pressure released from compressor reservoir
(TM 3-1040-283-20&P)
Inboard armor shield removed (WP 0771 00)

Materials/Parts

Locknut (2)
Lockwasher (4)

Personnel Required

Unit Mechanic
Helper

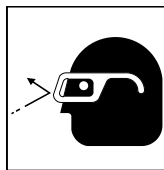
NOTE

Before you do any maintenance, discharge all capacitors to ground.

REMOVAL

1. Remove two screws (1), four washers (2), two locknuts (3), and wedges (4) from support bracket (5) and generator (6). Discard locknuts.
2. Slide generator (6) out and onto shield. Have helper assist.
3. Disconnect electrical cable assembly (7) from cover assembly connector 5J1 (8).

WARNING



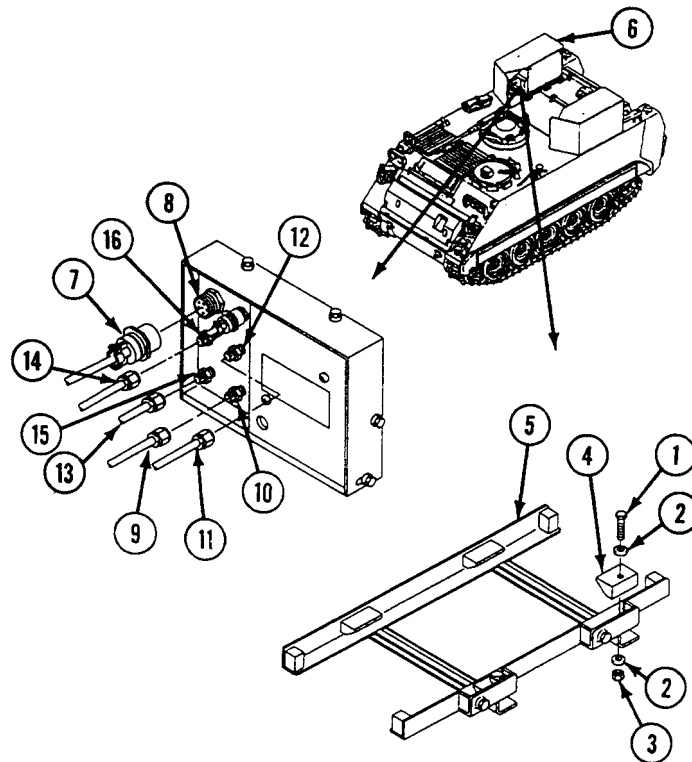
Compressed air pressure from smoke generator can cause serious injury or death. To avoid accidents, bleed air before working on air compressor assembly or disconnecting any air hose.

4. Disconnect air hose (9) from cover assembly connector (10).
5. Disconnect fog oil hose (11) from cover assembly connector (12).

REPLACE SMOKE GENERATOR ASSEMBLY AND SUPPORT BRACKET (M1059A3 ONLY) — Continued

0755 00

6. Remove fuel supply hose (13) and fuel return hose (14) from fuel supply connector (15) and fuel return connector (16).



7. Disconnect glow plug cable (19) from preheat harness jack (20) from panel (21) on smoke generator (1).

WARNING



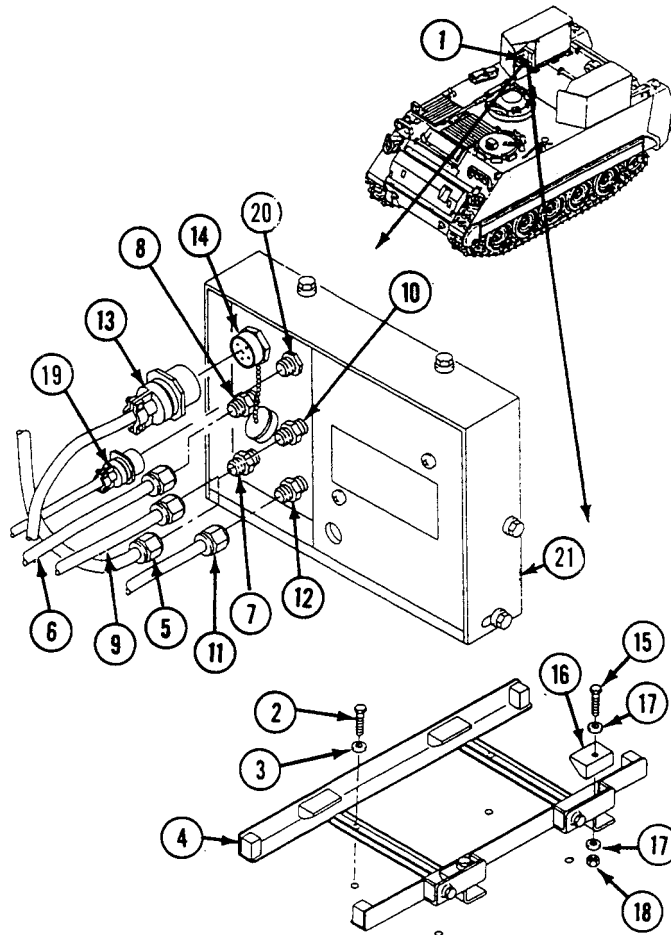
You could be killed or injured by accidental carrier movement. Before you perform maintenance, make sure to properly block the carrier. Do not stand under suspended heavy objects. Keep hands away from pinch points.

8. Using suitable lifting device, remove generator (1) from carrier.

REPLACE SMOKE GENERATOR ASSEMBLY AND SUPPORT BRACKET (M1059A3 ONLY) — Continued

0755 00

9. Remove four screws (2), lockwashers (3), and support bracket (4) from hull top. Discard lockwashers.



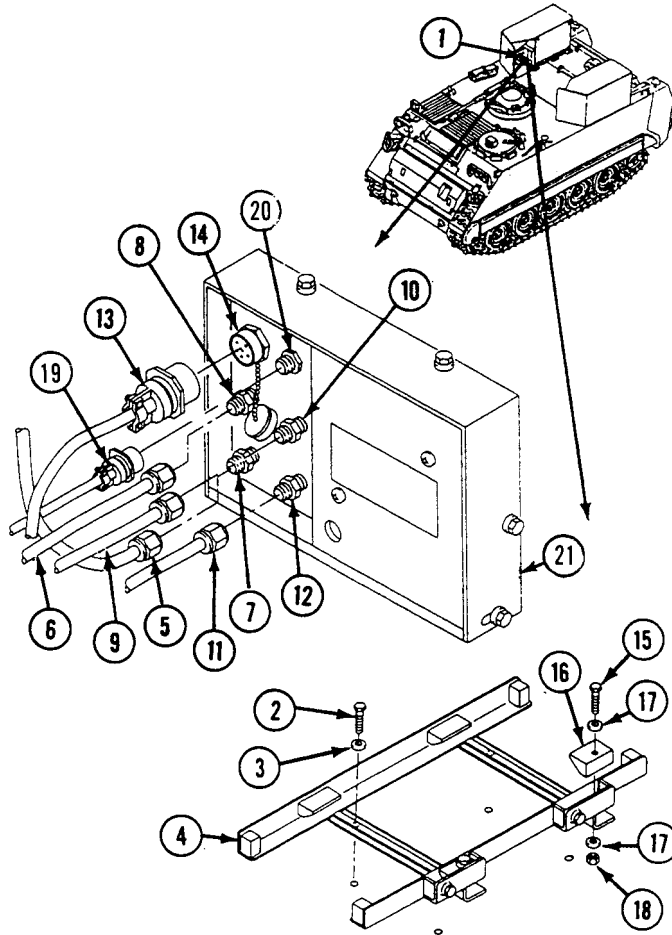
INSTALLATION

1. Position generator support bracket (4) on hull top. Secure with four screws (2) and new lockwashers (3). **TIGHTEN SCREWS TO 54-59 LB-FT (73-80 N·m) TORQUE.**
2. Using a suitable lifting device, install smoke generator (1) on armor shield.
3. Connect glow plug cable (19) to preheat harness jack (20) to panel (21) on smoke generator (1).
4. Connect fuel supply hose (5) to fuel supply connector (7) and fuel return hose (6) to fuel return connector (8).
5. Connect fog oil hose (9) to cover assembly connector (10).
6. Connect air hose (11) to cover assembly connector (12).
7. Connect electrical cable assembly (13) to cover connector 5J1 (14).
8. Slide generator (1) onto support bracket (4). Have helper assist.

REPLACE SMOKE GENERATOR ASSEMBLY AND SUPPORT BRACKET (M1059A3 ONLY) — Continued

0755 00

9. Secure generator (1) to support (4) with two screws (15), wedges (16), four washers (17), and two new locknuts (18).



FOLLOW-THROUGH STEPS

1. Install inboard armor shield (WP 0771 00).
2. Connect battery ground strap (WP 0337 00).
3. Set circuit breaker CB1 to ON (TM 3-1040-283-10).

END OF TASK

REPLACE SMOKE GENERATOR CONTROL PANEL ASSEMBLY (M1059A3 ONLY)

0756 00

THIS WORK PACKAGE COVERS:

Removal (page 0756 00-1).
 Installation (page 0756 00-2).

INITIAL SETUP:

Maintenance Level

Unit

References

See your -10
 TM 3-1040-283-10

Tools and Special Tools

General Mechanic's Tool Kit (WP 0926 00, Item 65)

Equipment Condition

Engine stopped (see your -10)
 Carrier blocked (see your -10)
 Circuit breaker CB1 OFF (TM 3-1040-283-10)
 Battery ground strap disconnected (WP 0337 00)

Materials/Parts

Lockwasher (12)
 Locknut (4)

Personnel Required

Unit Mechanic

WARNING



Before you do any maintenance, discharge all capacitors to ground or electrical shock could injure personnel.

REMOVAL

NOTE

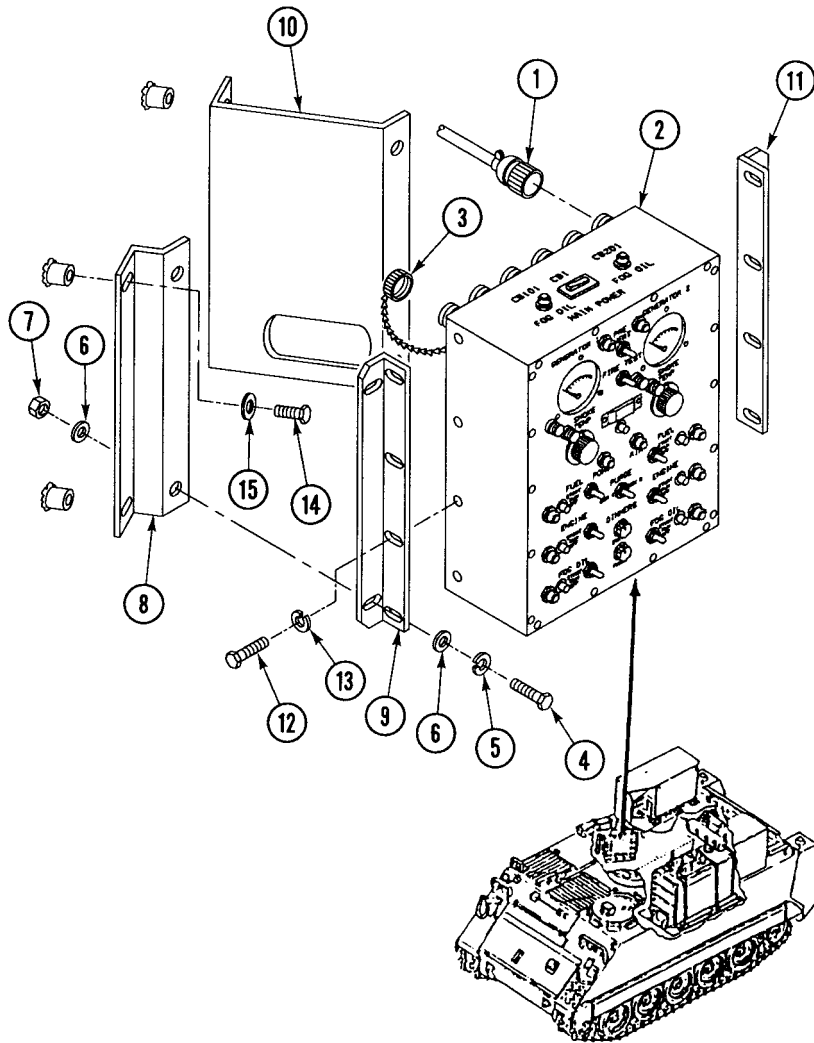
Tag all cables to match their respective connectors before removal.

1. Disconnect six cable assembly plugs (1) from control panel (2). Install associated dust caps (3).
2. Remove four screws (4), lockwashers (5), eight washers (6), four locknuts (7), and control panel (2) with two attached brackets (9) and (11) from two brackets (8) and (10). Discard lockwashers and locknuts.
3. Remove eight screws (12), lockwashers (13) and two brackets (9)(11) from control panel (2). Discard lockwashers.

REPLACE SMOKE GENERATOR CONTROL PANEL ASSEMBLY (M1059A3 ONLY) —
Continued

0756 00

4. Remove four screws (14), washers (15) and two brackets (8)(10) from carrier.

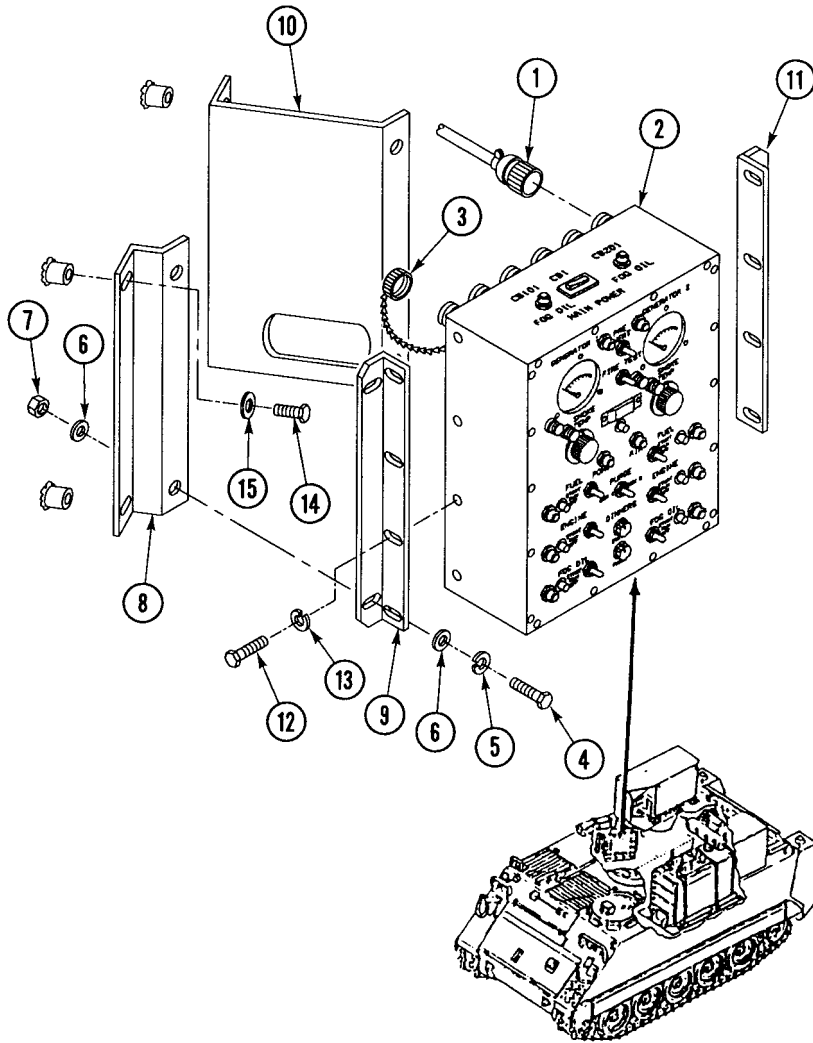
**INSTALLATION**

1. Install two brackets (8), (10), four screws (14), and washers (15) on carrier.
2. Install two brackets (9), (11), eight screws (12), and new lockwashers (13) on control panel (2).
3. Install control panel (2) with two attached brackets (9)(11) on two brackets (8)(10). Secure with four screws (4), new lockwashers (5), eight washers (6), and four new locknuts (7).

REPLACE SMOKE GENERATOR CONTROL PANEL ASSEMBLY (M1059A3 ONLY) —
Continued

0756 00

4. Remove dust caps (3) from six connectors.

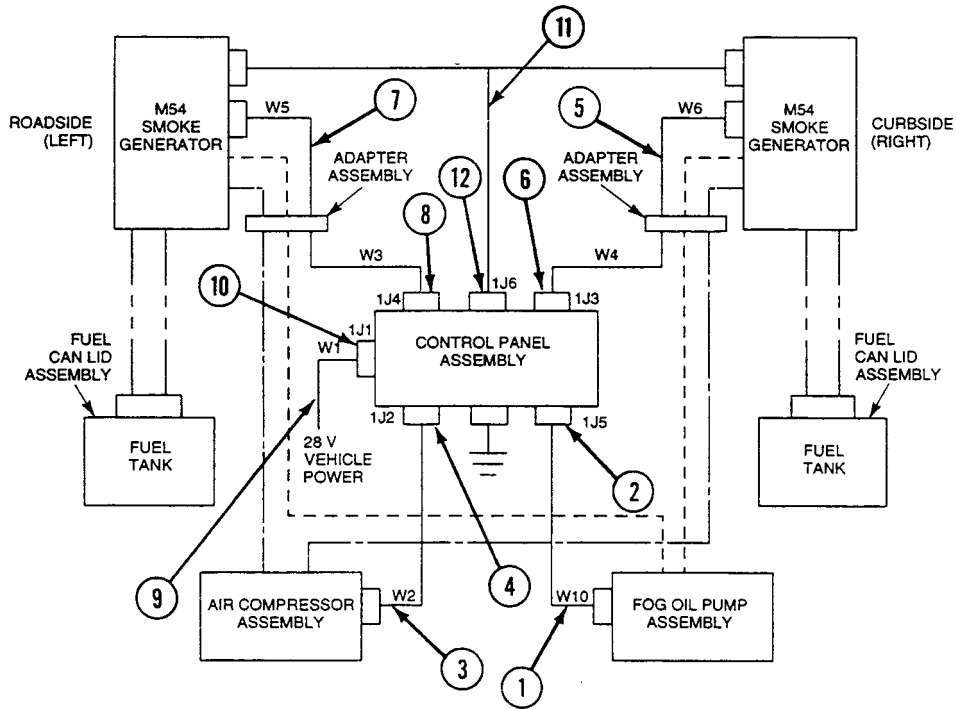
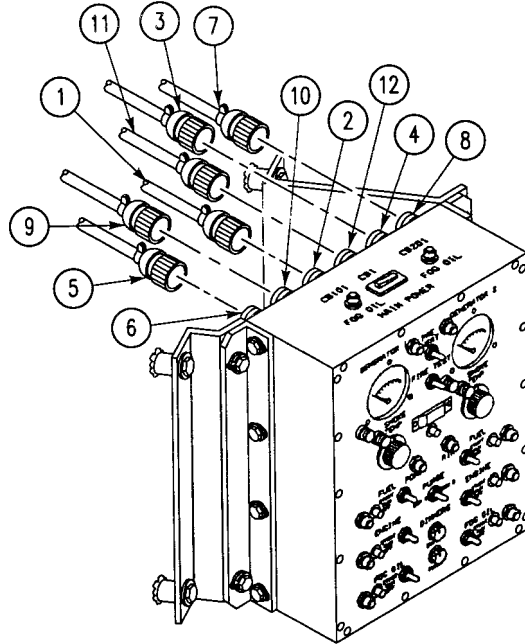


5. Connect fog oil pump cable assembly (1) to control panel assembly connector marked 1J5 (2).
6. Connect air compressor cable assembly (3) to control panel assembly connector marked 1J2 (4).
7. Connect smoke generator number 1 (right) cable assembly (5) to control panel assembly connector marked 1J3 (6).
8. Connect smoke generator number 2 (left) cable assembly (7) to control panel assembly connector marked 1J4 (8).
9. Connect main power cable assembly (9) to control panel assembly connector marked 1J1 (10).

REPLACE SMOKE GENERATOR CONTROL PANEL ASSEMBLY (M1059A3 ONLY) —
Continued

0756 00

10. Connect glow plug cable (11) to control panel assembly connector marked 1J6 (12).



REPLACE SMOKE GENERATOR CONTROL PANEL ASSEMBLY (M1059A3 ONLY) —
Continued

0756 00

FOLLOW-THROUGH STEPS

1. Connect battery ground strap (WP 0337 00).
2. Set circuit breaker CB1 to ON (TM 3-1040-283-10).

END OF TASK

**REPLACE SMOKE GENERATOR SYSTEM POWER SUPPLY CABLE
ASSEMBLY (M1059A3 ONLY)**

0757 00

THIS WORK PACKAGE COVERS:

Removal (page 0757 00-1).
Installation (page 0757 00-2).

INITIAL SETUP:

Maintenance Level

Unit

Tools and Special Tools

General Mechanic's Tool Kit (WP 0926 00, Item 65)

Materials/Parts

Grommet

Locknut

Lockwasher

Lockwasher (8)

Personnel Required

Signal Support System Specialist 31U10

References

See your -10

TM 3-1040-283-10

Equipment Condition

Engine stopped (see your -10)

Carrier blocked (see your -10)

Circuit breaker CB1 OFF (TM 3-1040-283-10)

Battery ground strap disconnected (WP 0337 00)

NOTE

Before you do any maintenance, discharge all capacitors to ground.

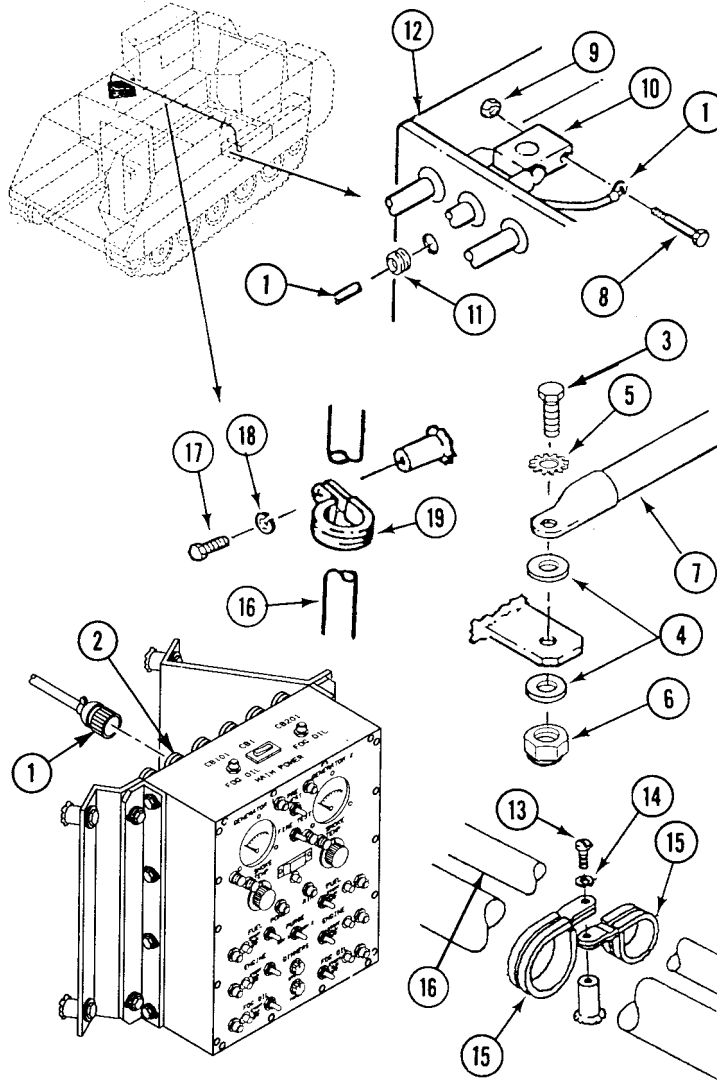
REMOVAL

1. Disconnect cable assembly (1) from control panel assembly connector 1J1 (2).
2. Remove screw (3), two washers (4), lockwasher (5), locknut (6), and ground lead (7) from hull bracket. Discard lockwasher and locknut.
3. Remove screw (8), nut (9), and cable assembly (1) from positive battery terminal (10).
4. Remove cable assembly (1) and grommet (11) from battery box (12). Discard grommet.
5. Remove six screws (13), lockwashers (14), and 12 clamps (15) from cable assembly (16). Discard lockwashers.

**REPLACE SMOKE GENERATOR SYSTEM POWER SUPPLY CABLE ASSEMBLY
(M1059A3 ONLY) — Continued**

0757 00

6. Remove two screws (17), lockwashers (18), clamps (19), and cable assembly (16) from hull. Discard lockwashers.



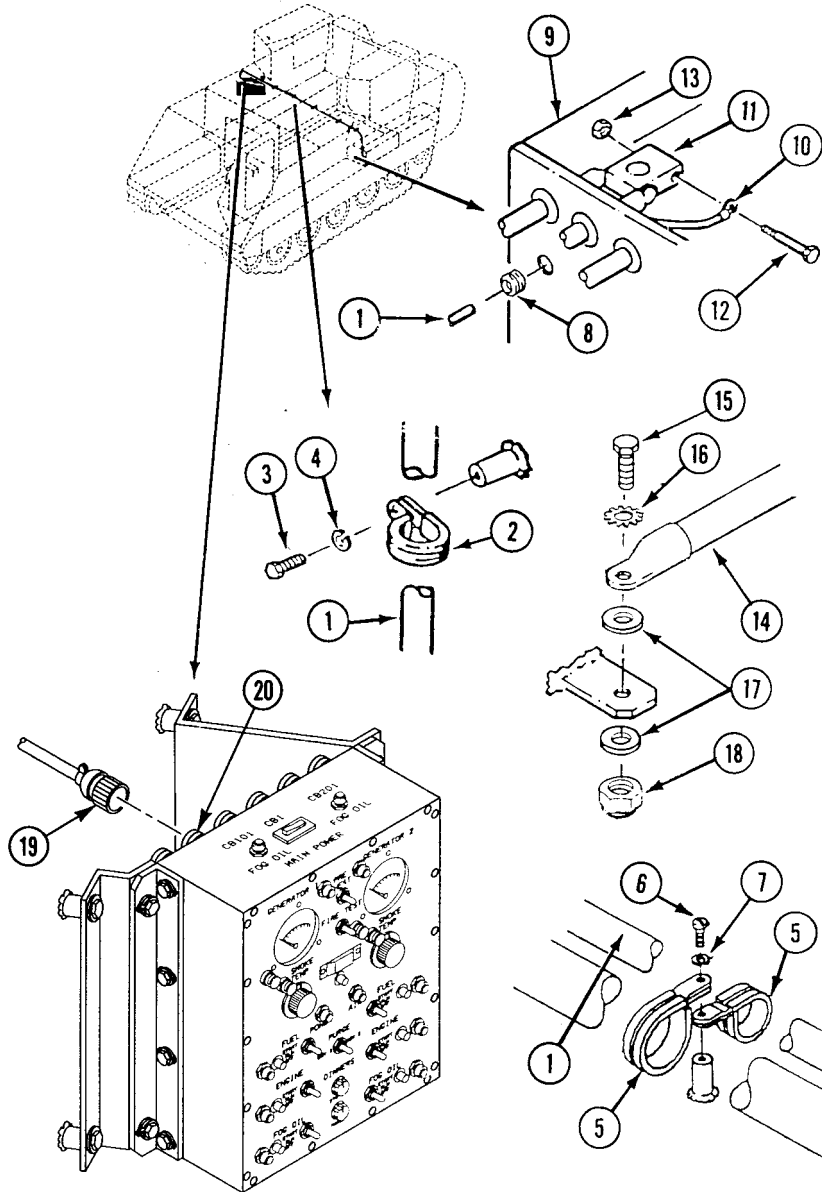
INSTALLATION

1. Secure cable assembly (1) to hull with two clamps (2), screws (3), and new lockwashers (4).
2. Secure cable assembly (1) to hull top plate with 12 clamps (5), six screws (6), and new lockwashers (7).
3. Install new grommet (8) on cable assembly (1). Route cable through hole in battery box (9).
4. Install cable assembly lead (10) on positive battery terminal (11). Secure with screw (12) and nut (13).
5. Install ground lead (14) on clean, paint-free hull bracket. Secure with screw (15), new lockwasher (16), two washers (17), and new locknut (18).

**REPLACE SMOKE GENERATOR SYSTEM POWER SUPPLY CABLE ASSEMBLY
(M1059A3 ONLY) — Continued**

0757 00

6. Connect cable assembly (19) to control panel assembly connector 1J1 (20).



FOLLOW-THROUGH STEPS

1. Connect battery ground strap (WP 0337 00).
2. Set circuit breaker CB1 to ON (TM 3-1040-283-10).

END OF TASK

**REPLACE AIR COMPRESSOR ELECTRICAL CABLE ASSEMBLY
(M1059A3 ONLY)**

0758 00

THIS WORK PACKAGE COVERS:

Removal (page 0758 00-1).
Installation (page 0758 00-2).

INITIAL SETUP:

Maintenance Level

Unit

References

See your -10
TM 3-1040-283-10

Tools and Special Tools

General Mechanic's Tool Kit (WP 0926 00, Item 65)

Equipment Condition

Engine stopped (see your -10)
Carrier blocked (see your -10)
Circuit breaker CB1 OFF (TM 3-1040-283-10)
Battery ground strap disconnected (WP 0337 00)

Materials/Parts

Lockwasher (6)

Personnel Required

Signal Support System Specialist 31U10

WARNING



Before you do any maintenance, discharge all capacitors to ground or electrical shock could injure personnel.

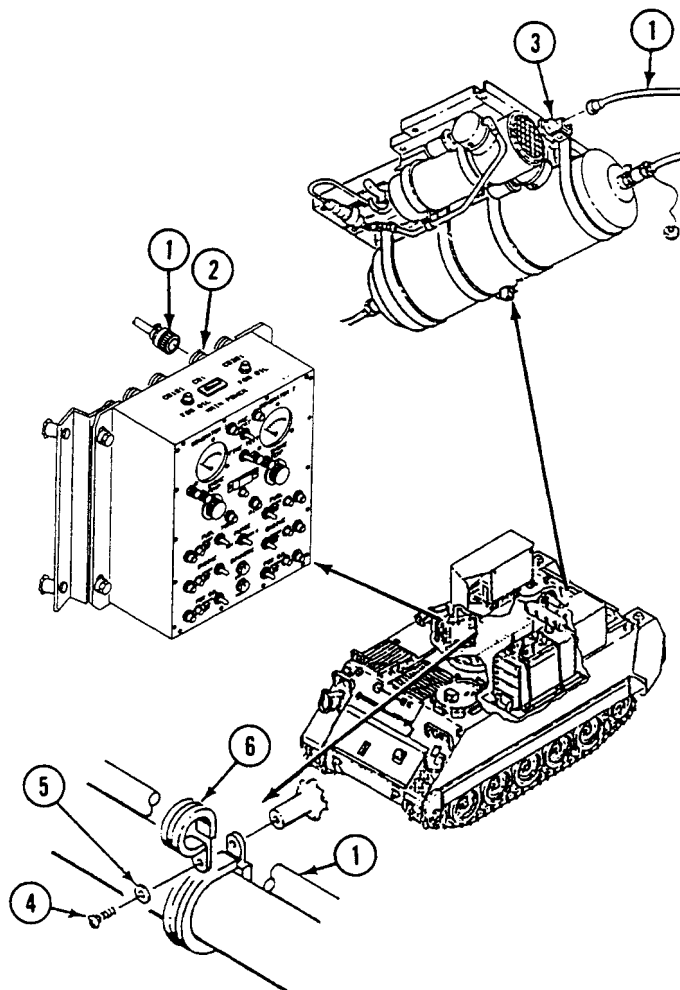
REMOVAL

1. Disconnect cable assembly (1) from control panel connector 1J2 (2).
2. Disconnect cable assembly (1) from air compressor cable assembly connector (3).

REPLACE AIR COMPRESSOR ELECTRICAL CABLE ASSEMBLY (M1059A3 ONLY) —
Continued

0758 00

3. Remove six screws (4), lockwashers (5), clamps (6), and cable assembly (1) from carrier hull. Discard lockwashers.

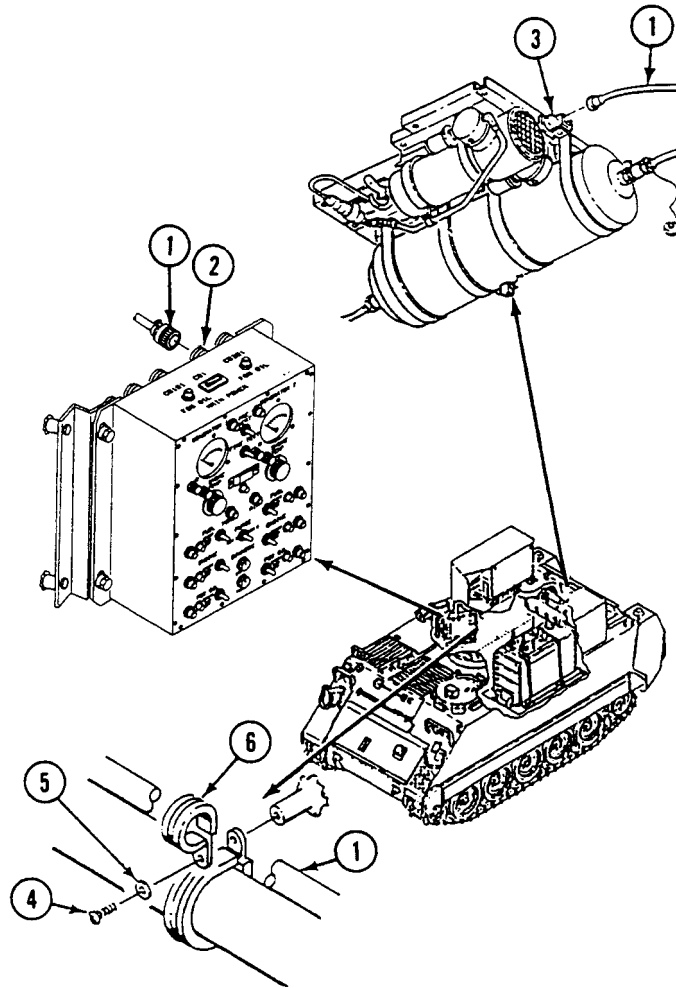
**INSTALLATION**

1. Connect cable assembly (1) to air compressor cable assembly connector (3).
2. Connect cable assembly (1) to control panel assembly connector 1J2 (2).

REPLACE AIR COMPRESSOR ELECTRICAL CABLE ASSEMBLY (M1059A3 ONLY) —
Continued

0758 00

3. Secure cable assembly (1) to hull with six clamps (6), screws (4), and new lockwashers (5).

**FOLLOW-THROUGH STEPS**

1. Connect battery ground strap (WP 0337 00).
2. Set circuit breaker CB1 to ON (TM 3-1040-283-10).

END OF TASK

REPLACE FOG OIL PUMP ELECTRICAL CABLE ASSEMBLY

0759 00

THIS WORK PACKAGE COVERS:

Removal (page 0759 00-1).
 Installation (page 0759 00-3).

INITIAL SETUP:

Maintenance Level

Unit

References

See your -10
 TM 3-1040-283-10

Tools and Special Tools

General Mechanic's Tool Kit (WP 0926 00, Item 65)

Equipment Condition

Engine stopped (see your -10)
 Carrier blocked (see your -10)
 Circuit breaker CB1 OFF (TM 3-1040-283-10)
 Battery ground strap disconnected (WP 0337 00),
 (WP 0338 00), or (WP 0339 00)

Materials/Parts

Lockwasher (4)

Personnel Required

Signal Support System Specialist 31U10

WARNING

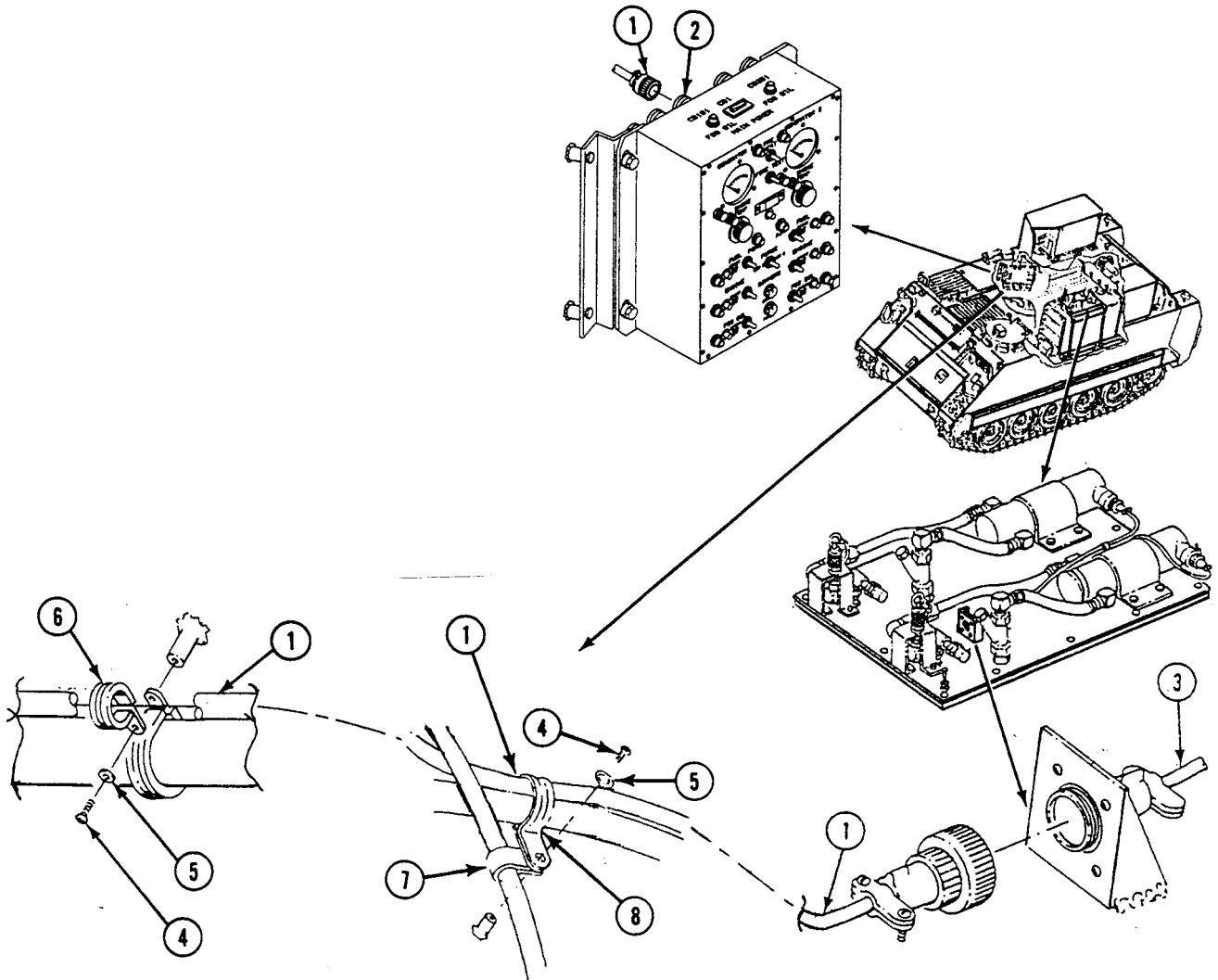


Before you do any maintenance, discharge all capacitors to ground or electrical shock could injure personnel.

REMOVAL

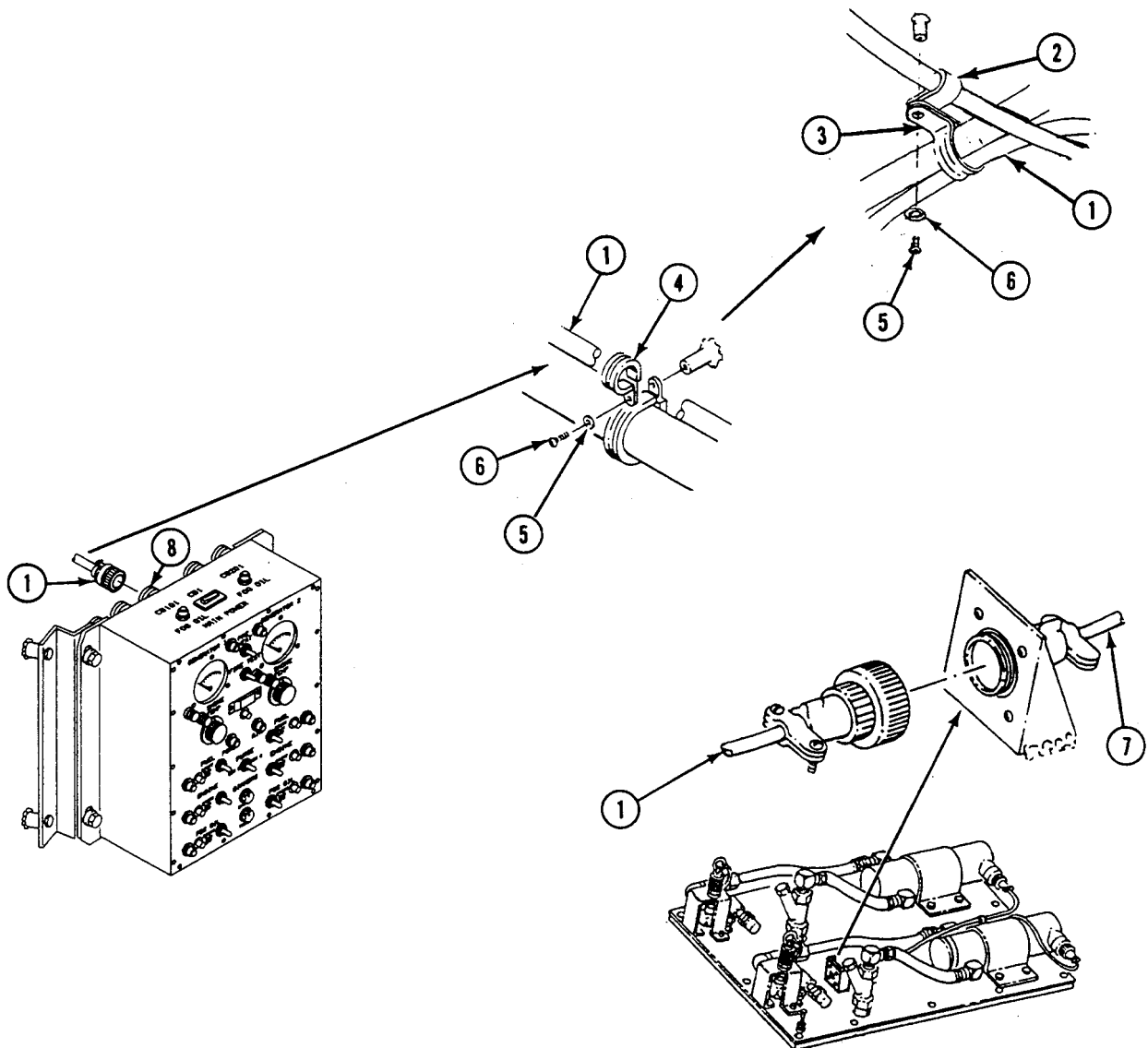
1. Disconnect cable assembly (1) from control panel connector 1J5 (2).
2. Disconnect cable assembly (1) from fog oil pump cable assembly (3).
3. Remove three screws (4), lockwashers (5), and clamps (6), from cable assembly (1). Discard lockwashers.

4. Remove other screw (4), lockwasher (5), clamps (7)(8), and cable assembly (1) from carrier hull. Discard lockwasher.



INSTALLATION

1. Align cable assembly (1) on hull with clamps (2)(3) and three clamps (4). Secure with new lockwashers (5) and screws (6).
2. Connect cable assembly (1) to control panel assembly connector 1J5 (8).



3. Connect cable assembly (1) to fog oil pump cable assembly (7).

FOLLOW-THROUGH STEPS

1. Connect battery ground strap (WP 0337 00), (WP 0338 00), or (WP 0339 00).
2. Set circuit breaker CB1 to ON (TM 3-1040-283-10).

END OF TASK

REPLACE SMOKE GENERATOR INTERNAL CABLE ASSEMBLY (M1059A3 ONLY) 0760 00

THIS WORK PACKAGE COVERS:

Removal (page 0760 00-1).
 Installation (page 0760 00-3).

INITIAL SETUP:

Maintenance Level

Unit

Equipment Condition

Engine stopped (see your -10)
 Carrier blocked (see your -10)
 Circuit breaker CB1 OFF (TM 3-1040-283-10)
 Battery ground strap disconnected (WP 0337 00)
 Air pressure released from compressor reservoir
 (TM 3-1040-283-20&P)
 Inboard armor shield removed (WP 0771 00)
 Smoke generator assembly removed from bracket
 (WP 0755 00)

Tools and Special Tools

General Mechanic's Tool Kit (WP 0926 00, Item 65)

Materials/Parts

Gasket
 Locknut (4)
 Lockwasher (7)

Personnel Required

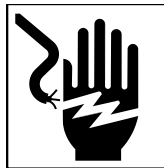
Signal Support System Specialist 31U10

References

See your -10
 TM 3-1040-283-10
 TM 3-1040-283-20&P

REMOVAL

WARNING



Before you do any maintenance, discharge all capacitors to ground or electrical shock could injure personnel.

NOTE

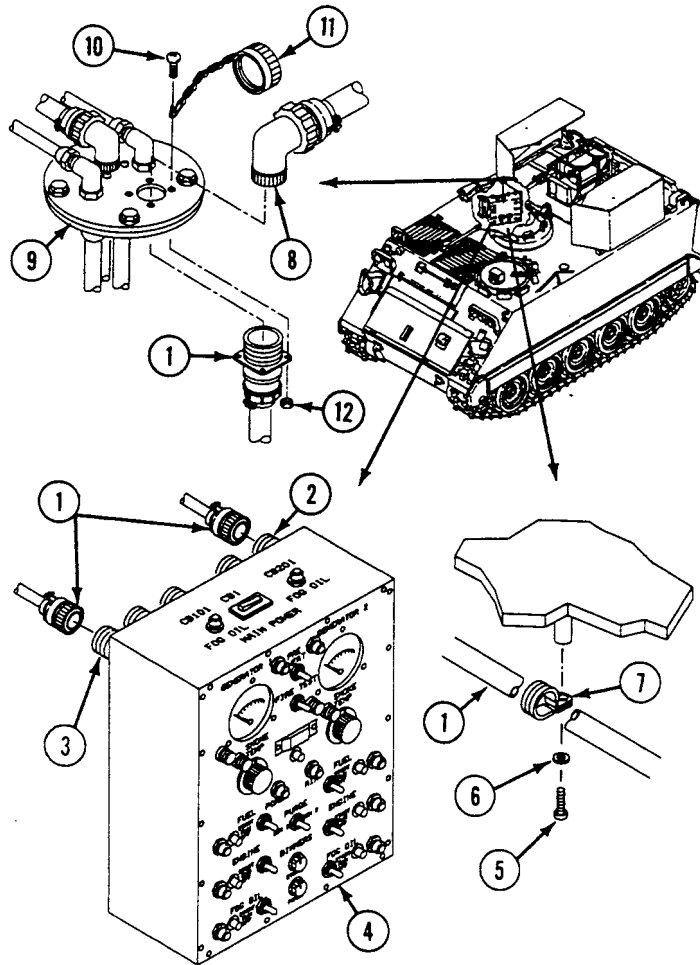
Left and right cable assemblies are replaced the same way, except left side cable assembly has six clamps and right side has only one. Left side is shown.

1. Disconnect cable (1) from jack 1J3 (left) (2) or 1J4 (right) (3) on back of control panel (4).
2. Remove six screws (5), lockwashers (6), clamps (7) and cable (1) from hull. Discard lockwashers.
3. Remove connector (8) attached to cable (1) through access plate (9).

REPLACE SMOKE GENERATOR INTERNAL CABLE ASSEMBLY (M1059A3 ONLY) —
Continued

0760 00

4. Remove four screws (10), dust cap (11), locknuts (12), and cable (1) from access plate (9). Discard locknuts.

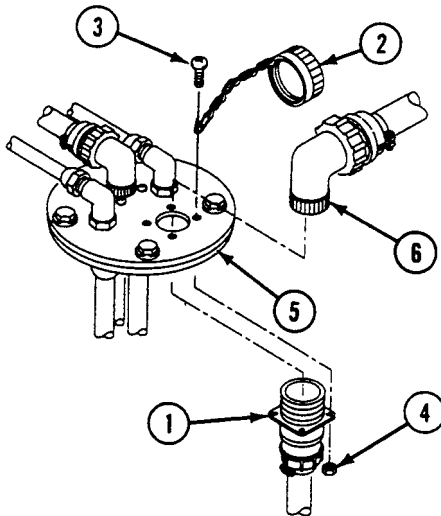


REPLACE SMOKE GENERATOR INTERNAL CABLE ASSEMBLY (M1059A3 ONLY) —
Continued

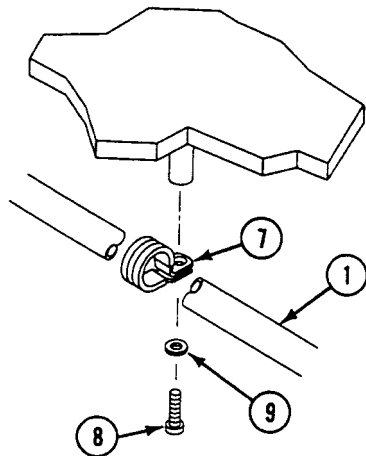
0760 00

INSTALLATION

1. Install cable (1), dust cap (2), four screws (3), and new locknuts (4) on access plate (5).
2. Install connector (6) to cable (1) on access plate (5).



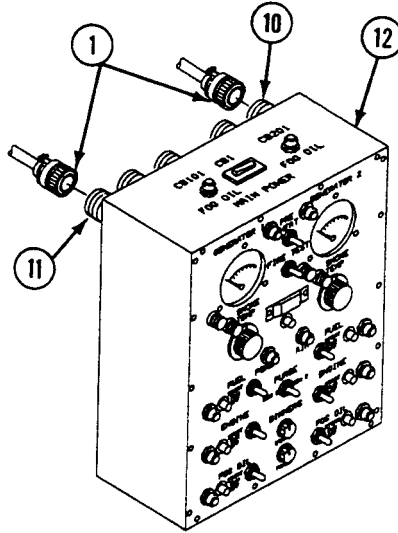
3. Install cable (1), six clamps (7), screws (8), and new lockwashers (9) on hull.



REPLACE SMOKE GENERATOR INTERNAL CABLE ASSEMBLY (M1059A3 ONLY) —
Continued

0760 00

4. Connect cable (1) to jack 1J3 (left) (10) or 1J4 (right) (11) on back of control panel (12).

**FOLLOW-THROUGH STEPS**

1. Install smoke generator assembly on bracket (WP 0755 00).
2. Install inboard armor shield (WP 0771 00).
3. Connect battery ground strap (WP 0337 00).
4. Set circuit breaker CB1 to ON (TM 3-1040-283-10).

END OF TASK

**REPLACE ADAPTER ACCESS PLATE TO GENERATOR ELECTRICAL
CABLE ASSEMBLY (M1059A3 ONLY)**

0761 00

THIS WORK PACKAGE COVERS:

Removal (page 0761 00-1).
Installation (page 0761 00-3).

INITIAL SETUP:

Maintenance Level

Unit

Tools and Special Tools

General Mechanic's Tool Kit (WP 0926 00, Item 65)

Personnel Required

Signal Support System Specialist 31U10

References

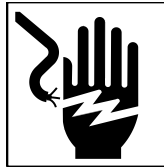
See your -10
TM 3-1040-283-10
TM 3-1040-283-20&P

Equipment Condition

Engine stopped (see your -10)
Carrier blocked (see your -10)
Circuit breaker CB1 OFF (TM 3-1040-283-10)
Battery ground strap disconnected (WP 0337 00)
Air pressure released from compressor reservoir
(TM 3-1040-283-20&P)
Inboard armor shield removed (WP 0771 00)
Smoke generator assembly removed from bracket
(WP 0755 00)

REMOVAL

WARNING



Before you do any maintenance, discharge all capacitors to ground or electrical shock could injure personnel.

NOTE

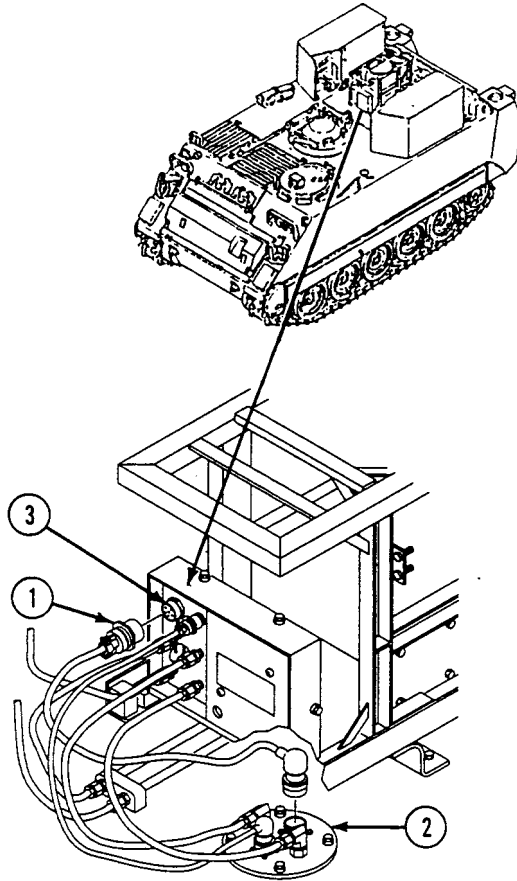
Left and right cable assemblies are replaced the same way.

1. Disconnect cable assembly (1) from adapter access plate connector (2).

**REPLACE ADAPTER ACCESS PLATE TO GENERATOR ELECTRICAL CABLE
ASSEMBLY (M1059A3 ONLY) — Continued**

0761 00

2. Disconnect cable assembly (1) from smoke generator cover assembly connector 5J1 (3).

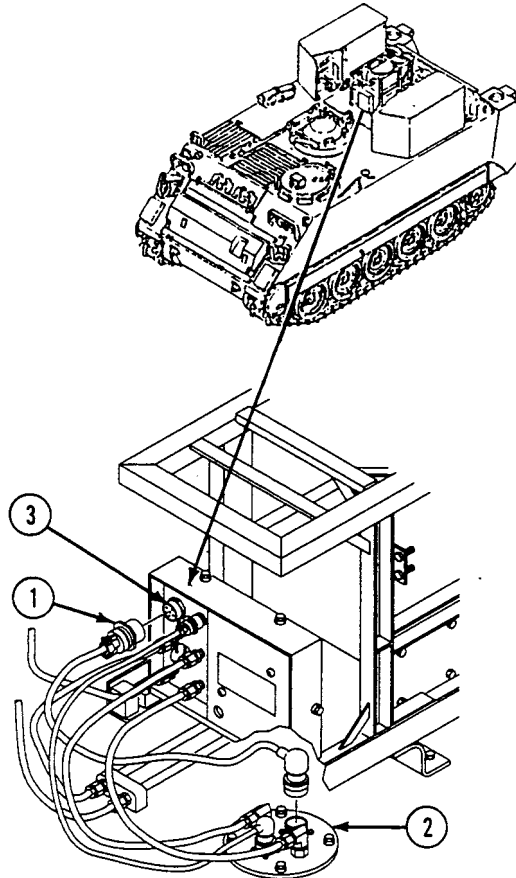


REPLACE ADAPTER ACCESS PLATE TO GENERATOR ELECTRICAL CABLE ASSEMBLY (M1059A3 ONLY) — Continued

0761 00

INSTALLATION

1. Connect cable assembly (1) to smoke generator cover assembly connector 5J1 (3).
2. Connect cable assembly (1) to adapter access plate connector (2).

**FOLLOW-THROUGH STEPS**

1. Install smoke generator assembly on bracket (WP 0755 00).
2. Install inboard armor shield (WP 0771 00).
3. Connect battery ground strap (WP 0337 00).
4. Set circuit breaker CB1 to ON (TM 3-1040-283-10).

END OF TASK

REPLACE AIR COMPRESSOR ASSEMBLY (M1059A3 ONLY)

0762 00

THIS WORK PACKAGE COVERS:

Removal (page 0762 00-1).
 Installation (page 0762 00-3).

INITIAL SETUP:

Maintenance Level

Unit

References

See your -10
 TM 3-1040-283-10
 TM 3-1040-283-20&P

Tools and Special Tools

General Mechanic's Tool Kit (WP 0926 00, Item 65)
 Socket Wrench Set (WP 0926 00, Item 72)
 Torque Wrench (WP 0926 00, Item 81)

Equipment Condition

Engine stopped (see your -10)
 Carrier blocked (see your -10)
 Ramp lowered (see your -10)
 Circuit breaker CB1 OFF (TM 3-1040-283-10)
 Battery ground strap disconnected (WP 0337 00)
 Air pressure released from compressor reservoir
 (TM 3-1040-283-20&P)

Materials/Parts

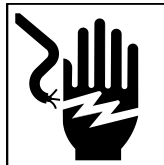
Lockwasher (8)

Personnel Required

Signal Support System Specialist 31U10
 Helper (2)

REMOVAL

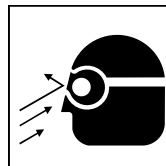
WARNING



Before you do any maintenance, discharge all capacitors to ground or electrical shock could injure personnel.

1. Disconnect air compressor electrical cable assembly (1) from compressor cable assembly connector (2).

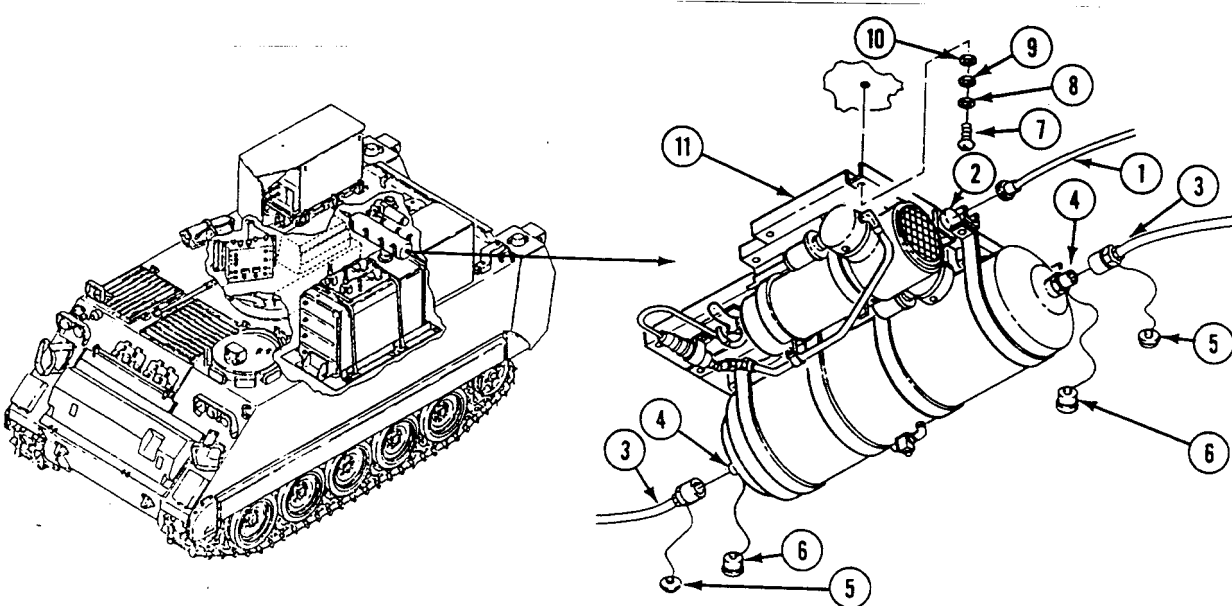
WARNING



Compressed air pressure from smoke generator can cause serious injury or death. To avoid accidents, bleed air before working on air compressor assembly or disconnecting any air hose.

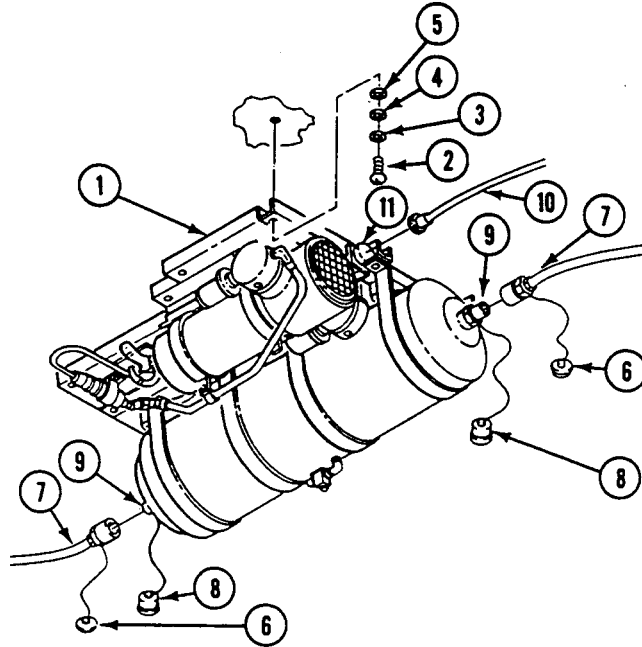
2. Disconnect two air lines (3) from two compressor air reservoir fittings (4). Install safety caps (5) on lines and dust covers (6) on fittings.

- Remove eight screws (7), lockwashers (8), washers (9), washers (10), and compressor unit (11) from carrier. Have helpers assist. Discard lockwashers.



INSTALLATION

1. Position air compressor assembly (1) on ceiling of carrier. Have helpers assist. Secure with eight screws (2), new lockwashers (3), washers (4), and washers (5). TIGHTEN SCREWS TO 264-288 LB-IN (30-33 N·m TORQUE).
2. Remove safety caps (6) from two air lines (7) and dust covers (8) from two air compressor reservoir fittings (9). Connect lines to fittings.
3. Connect air compressor electrical cable assembly (10) to compressor cable assembly connector (11).

**FOLLOW-THROUGH STEPS**

1. Connect battery ground strap (WP 0337 00).
2. Set circuit breaker CB1 to ON (TM 3-1040-283-10).
3. Start engine (see your -10).
4. Raise and lock ramp (see your -10).
5. Stop engine (see your -10).

END OF TASK

REPLACE FOG OIL PUMP ASSEMBLY (M1059A3 ONLY)

0763 00

THIS WORK PACKAGE COVERS:

Removal (page 0763 00-1).
 Installation (page 0763 00-2).

INITIAL SETUP:

Maintenance Level

Unit

References

See your -10
 TM 3-1040-283-10

Tools and Special Tools

General Mechanic's Tool Kit (WP 0926 00, Item 65)

Equipment Condition

Engine stopped (see your -10)
 Carrier blocked (see your -10)
 Ramp lowered (see your -10)
 Circuit breaker CB1 OFF (TM 3-1040-283-10)
 Battery ground strap disconnected (WP 0337 00)

Materials/Parts

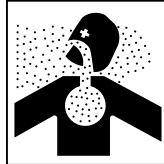
Lockwasher (12)

Personnel Required

Unit Mechanic

REMOVAL

WARNING



Fuel and fog oil can burn and could poison you. Read warnings at front of this manual.

WARNING



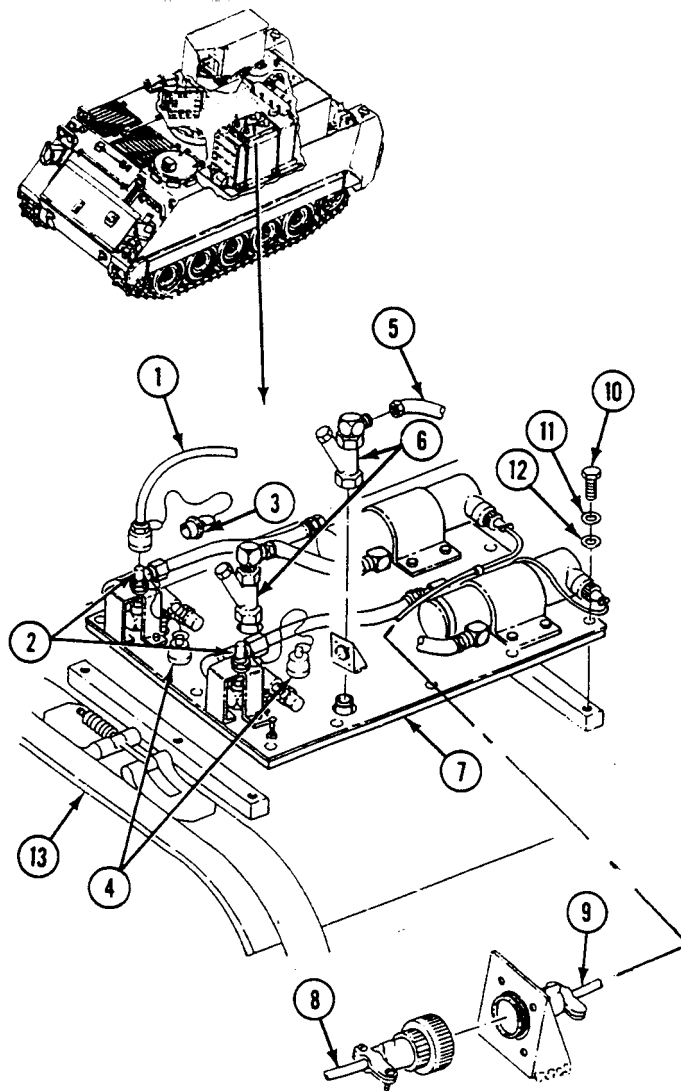
Before you do any maintenance, discharge all capacitors to ground or electrical shock could injure personnel.

1. Disconnect two fog oil hoses (1) from two quick disconnect fittings (2). Tag hoses.
2. Install safety caps (3) on hoses (1) and dust caps (4) on fittings (2).
3. Disconnect two fog oil hoses (5) from two strainers (6).
4. Remove strainers (6) from fog oil pump assembly (7).
5. Disconnect cable assembly (8) from fog oil pump cable assembly (9).

REPLACE FOG OIL PUMP ASSEMBLY (M1059A3 ONLY) — Continued

0763 00

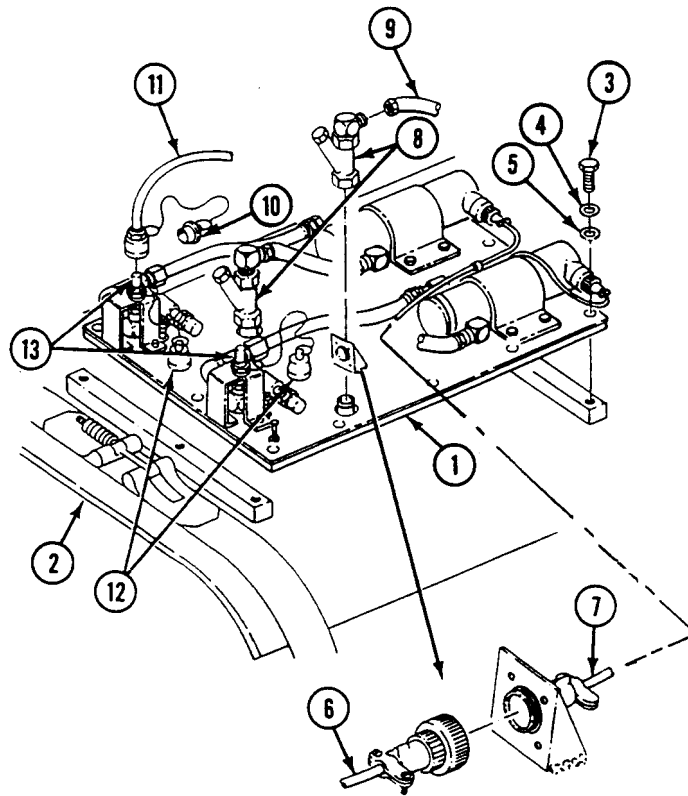
6. Remove 12 screws (10), lockwashers (11), washers (12), and pump assembly (7) from fog oil tank (13). Discard lockwashers.



INSTALLATION

1. Install fog oil pump assembly (1) on fog oil tank (2). Secure with 12 screws (3), new lockwashers (4), and washers (5).
2. Connect cable assembly (6) to fog oil pump cable assembly (7).
3. Install two strainers (8) on pump assembly (1).
4. Connect two fog oil hoses (9) to two strainers (8).
5. Remove safety caps (10) from two fog oil hoses (11) and dust caps (12) from two quick disconnect couplings (13).

6. Connect two fog oil hoses (11) to two quick disconnect couplings (13).



FOLLOW-THROUGH STEPS

1. Connect battery ground strap (WP 0337 00).
2. Set circuit breaker CB1 to ON (TM 3-1040-283-10).
3. Start engine (see your -10).
4. Raise and lock ramp (see your -10).
5. Stop engine (see your -10).

END OF TASK

REPLACE SMOKE GENERATOR FUEL CAN LID ASSEMBLY (M1059A3 ONLY)

0764 00

THIS WORK PACKAGE COVERS:

Removal (page 0764 00-1).
Installation (page 0764 00-2).

INITIAL SETUP:Maintenance Level

Unit

Personnel Required

Unit Mechanic

Tools and Special Tools

General Mechanic's Tool Kit (WP 0926 00, Item 65)

References

See your -10

Materials/Parts

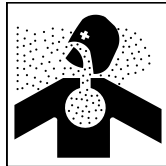
Sealing compound (WP 0928 00, Item 52)

Equipment Condition

Engine stopped (see your -10)
Carrier blocked (see your -10)

REMOVAL

WARNING



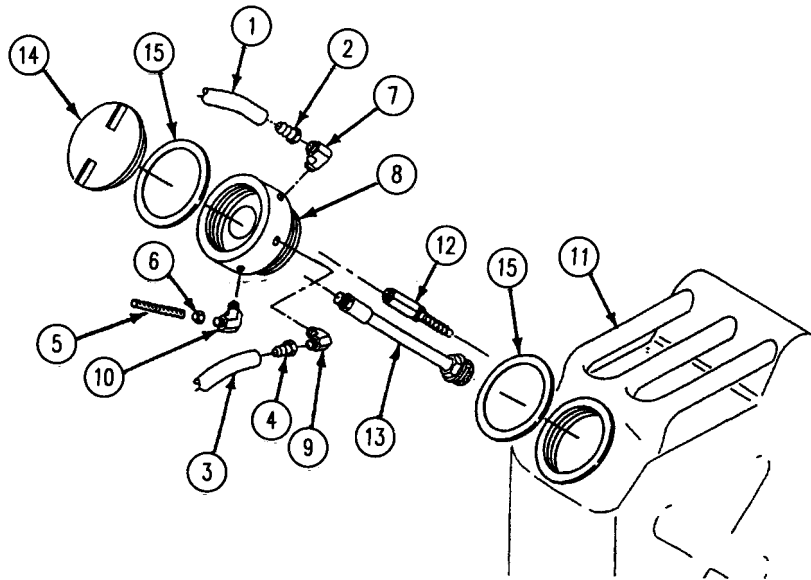
Fuel and fog oil can burn and could poison you. Read warnings at front of this manual.

1. Remove return hose (1) from adapter (2).
2. Remove supply hose (3) from adapter (4).
3. Remove vent hose (5) from adapter (6).
4. Remove adapter (2) from return elbow (7).
5. Remove return elbow (7) from lid (8).
6. Remove adapter (4) from supply elbow (9).
7. Remove supply elbow (9) from lid (8).
8. Remove adapter (6) from vent elbow (10).
9. Remove vent elbow (10) from lid (8).
10. Remove lid (8) from fuel can (11).
11. Remove check valve (12) from lid (8).
12. Remove fuel pipe (13) from lid (8).

REPLACE SMOKE GENERATOR FUEL CAN LID ASSEMBLY (M1059A3 ONLY) —
Continued

0764 00

13. Remove fuel lid closure (14) and two gaskets (15) from lid (8).

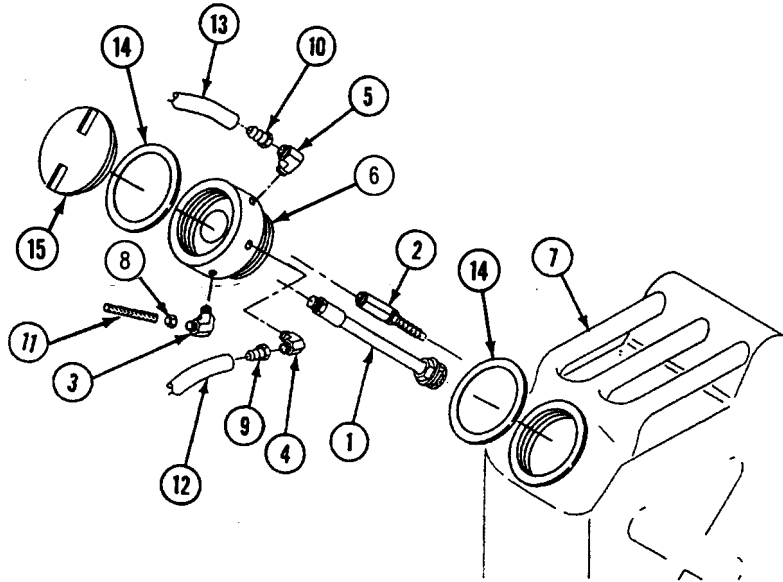
**INSTALLATION**

1. Coat fuel pipe (1), check valve (2), and vent, supply, and return elbows (3)(4)(5) with sealing compound.
2. Install check valve (2) on lid (6).
3. Install fuel pipe (1) in lid (6).
4. Install two gaskets (14) and fuel lid closure (15) on lid (6).
5. Install lid (6) in fuel can (7).
6. Install vent elbow (3) in lid (6).
7. Install supply elbow (4) in lid (6).
8. Install return elbow (5) in lid (6).
9. Install adapter (8) on vent elbow (3).
10. Install adapter (9) on supply elbow (4).
11. Install adapter (10) on return elbow (5).
12. Install vent hose (11) on adapter (8).
13. Install supply hose (12) on adapter (9).

REPLACE SMOKE GENERATOR FUEL CAN LID ASSEMBLY (M1059A3 ONLY) —
Continued

0764 00

14. Install return hose (13) on adapter (10).



END OF TASK

REPLACE SMOKE GENERATOR FUEL LINES AND GUARDS (M1059A3 ONLY)

0765 00

THIS WORK PACKAGE COVERS:

Removal (page 0765 00-1).
Installation (page 0765 00-4).

INITIAL SETUP:

Maintenance Level

Unit

References

See your -10
TM 3-1040-283-10
TM 3-1040-283-20&P

Tools and Special Tools

General Mechanic's Tool Kit (WP 0926 00, Item 65)
Torque wrench (WP 0926 00, Item 83)

Equipment Condition

Engine stopped (see your -10)
Carrier blocked (see your -10)
Circuit breaker CB1 OFF (TM 3-1040-283-10)
Battery ground strap disconnected (WP 0337 00)
Air pressure released from compressor reservoir (TM 3-1040-283-20&P)
Inboard armor shield removed (WP 0771 00)
Smoke generator assembly removed from bracket (WP 0755 00)

Materials/Parts

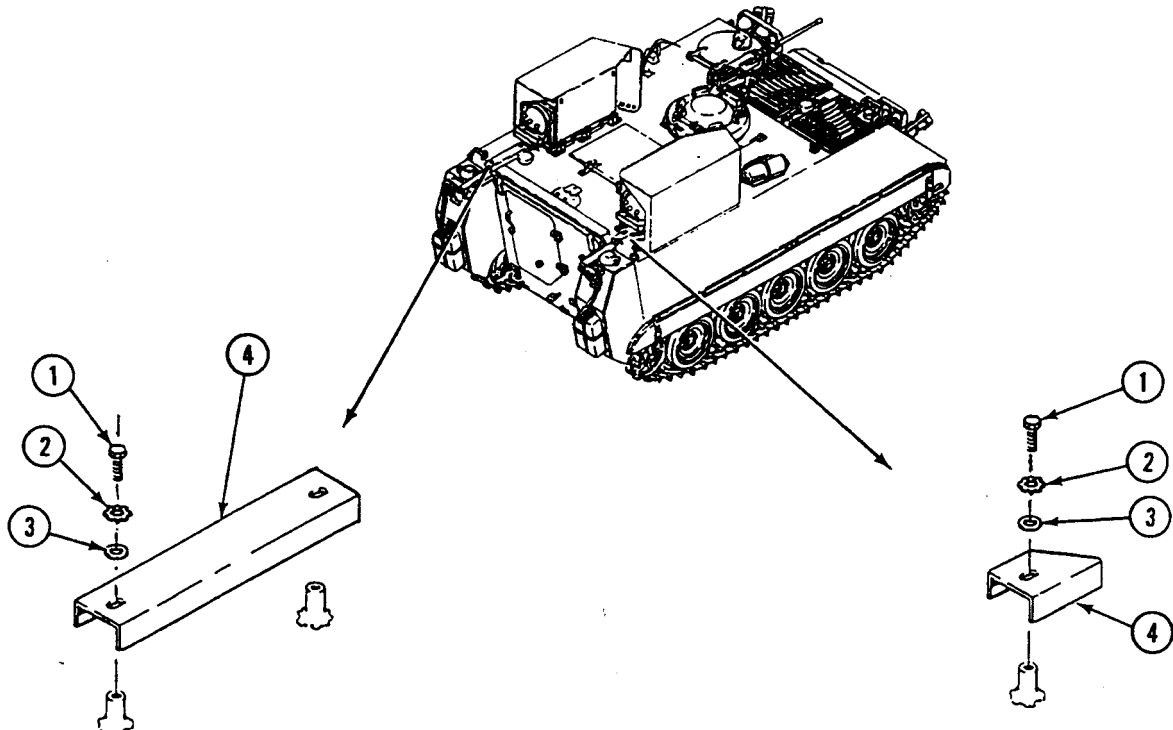
Primer (WP 0928 00, Item 45)
Lockwasher (16)

Personnel Required

Unit Mechanic

REMOVAL

1. Remove three screws (1), lockwashers (2), washers (3), and two fuel line guards (4) from left and right side of carrier hull. Discard lockwashers.



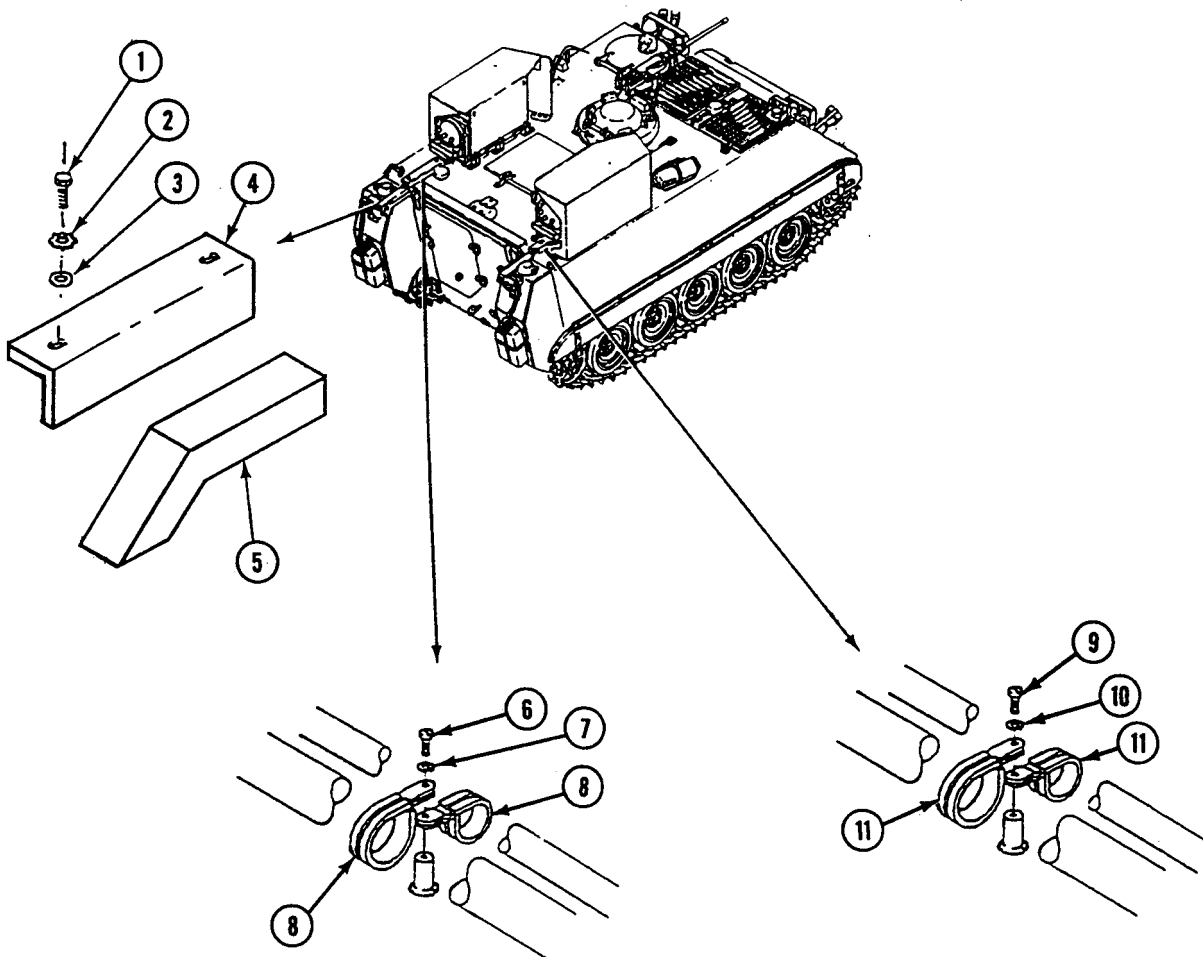
REPLACE SMOKE GENERATOR FUEL LINES AND GUARDS (M1059A3 ONLY) —
Continued

0765 00

NOTE

Removing fuel line guard (4) will also loosen electrical line guard (5). Electrical line guard should be held in place and not removed. Follow Step 2 below.

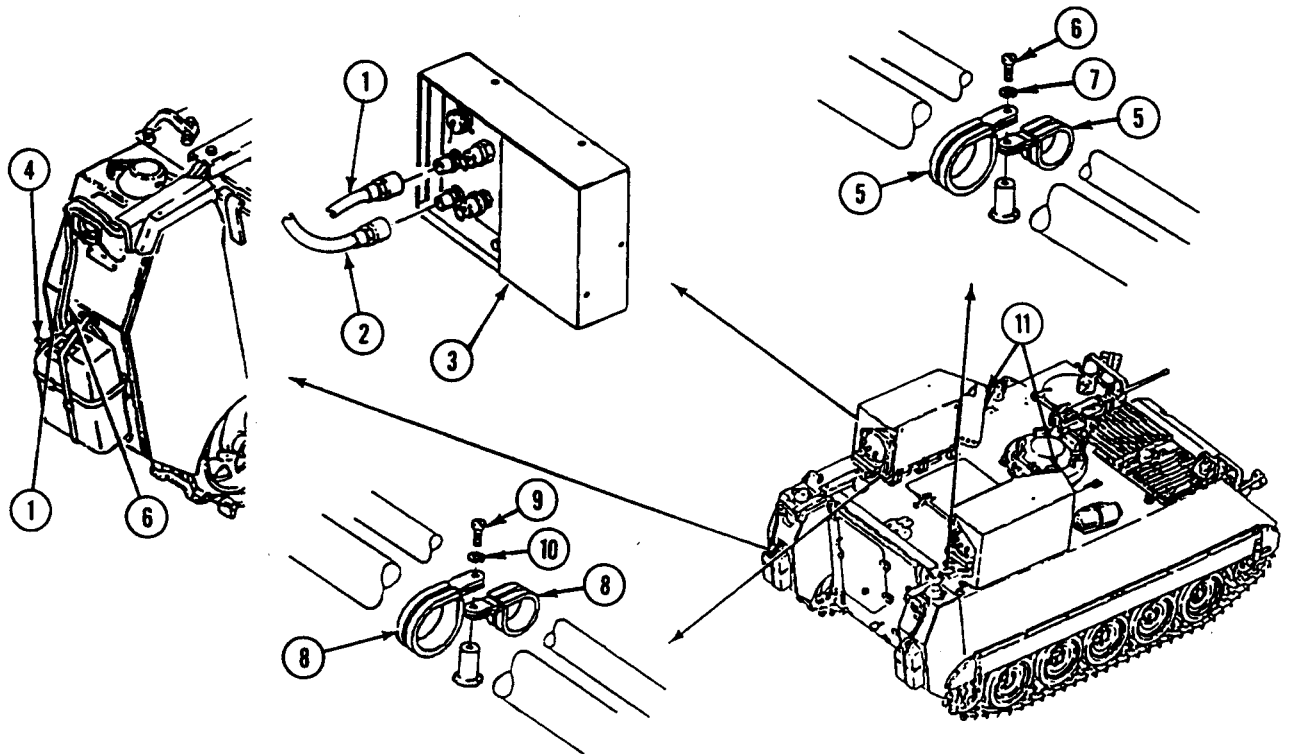
2. Remove four screws (1), lockwashers (2), washers (3) and two fuel line guards (4) on fuel tanks. Discard lockwashers.
3. To hold electrical line guard (5) in place, reinstall, but do not completely tighten, four screws (1) and washers (3) into electrical line guards.
4. On left side of carrier, remove four screws (6), lockwashers (7), and ten clamps (8) from fuel lines. Discard lockwashers.
5. On right side of carrier, remove five screws (9), lockwashers (10), and ten clamps (11) from fuel lines. Discard lockwashers.



REPLACE SMOKE GENERATOR FUEL LINES AND GUARDS (M1059A3 ONLY) —
Continued

0765 00

6. Disconnect fuel return lines (1) from two smoke generator cover assemblies (3).
7. Disconnect fuel supply lines (2) from fuel filters/water separator (11).
8. Disconnect fuel lines (1) and (2) from two fuel can lid assemblies (4). Remove fuel lines from carrier.

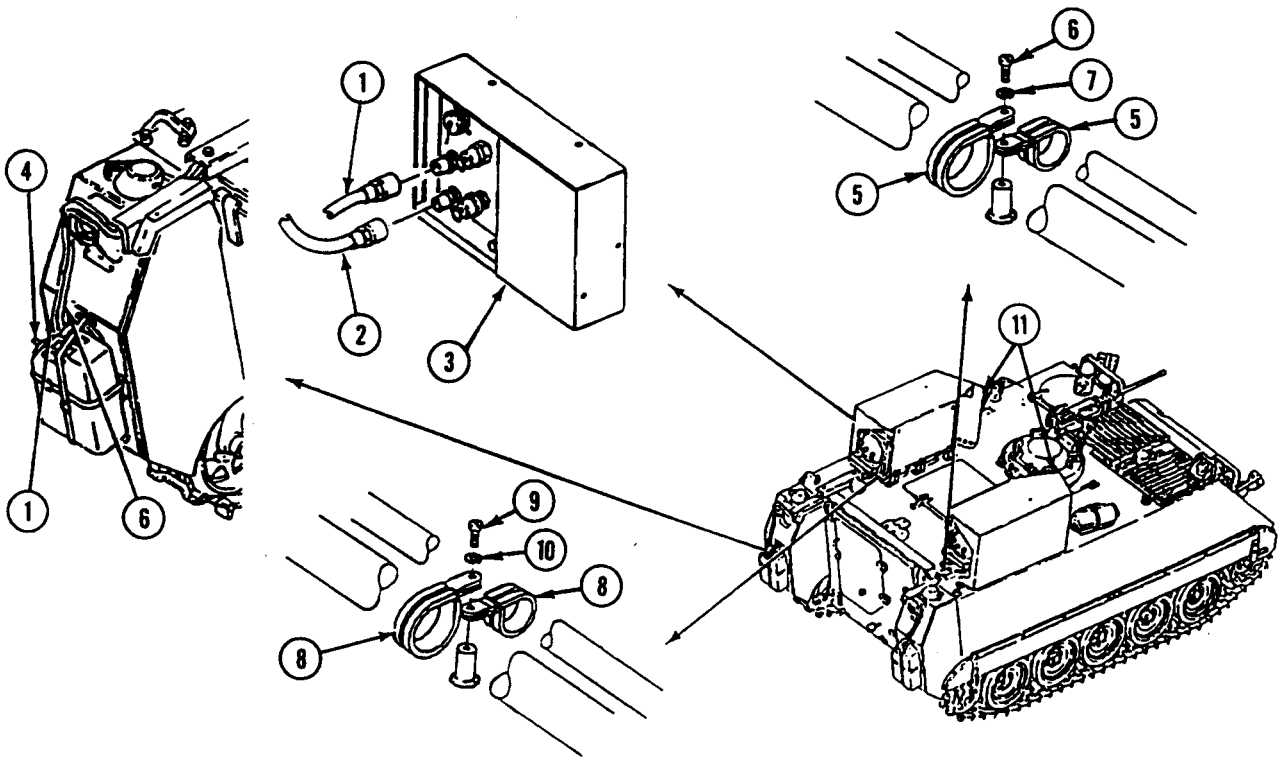


REPLACE SMOKE GENERATOR FUEL LINES AND GUARDS (M1059A3 ONLY) —
Continued

0765 00

INSTALLATION

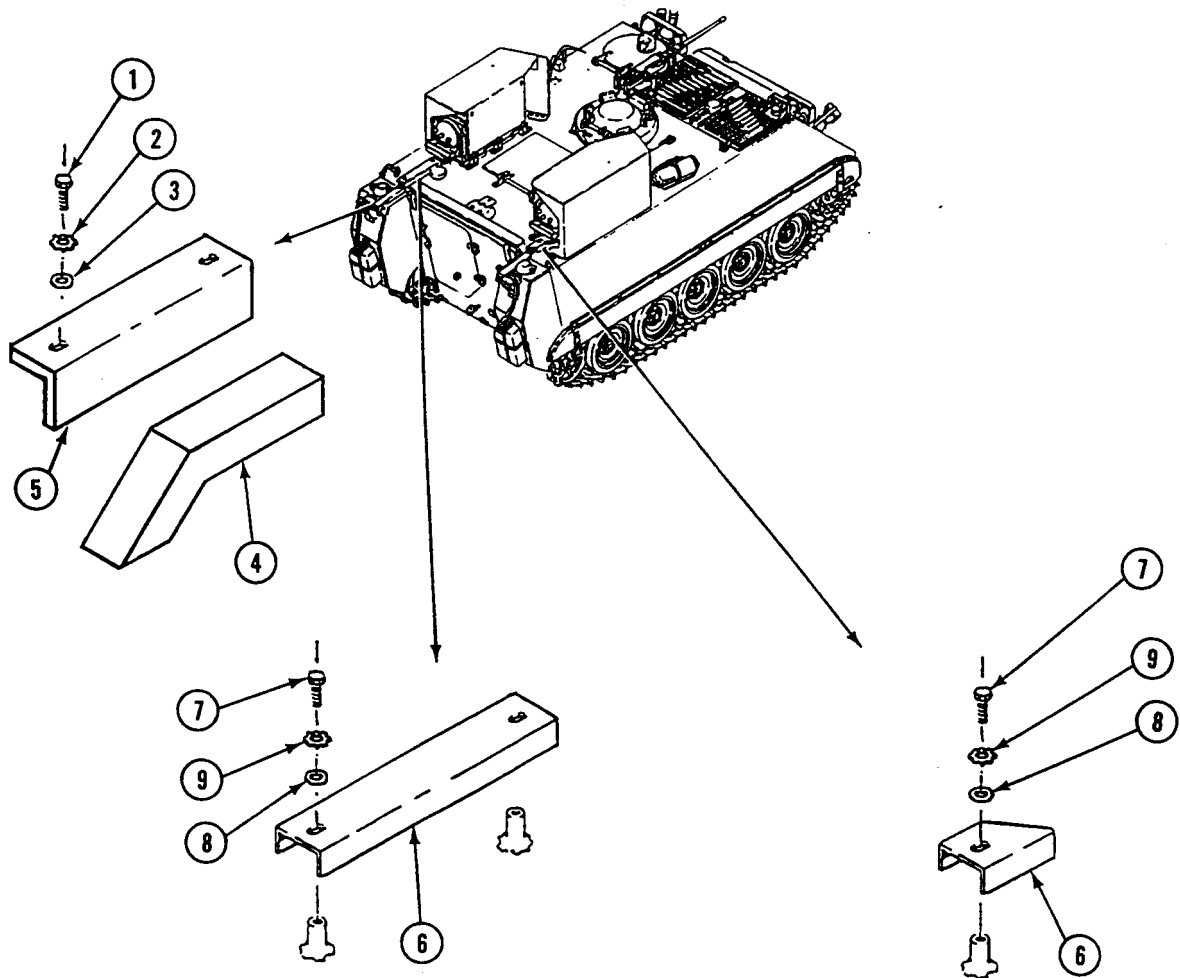
1. Connect fuel lines (1) and (2) to two fuel can lid assemblies (4). Position fuel lines along top of carrier to each smoke generator cover assembly (3).
2. Connect fuel supply lines (2) to fuel filters/water separator (11).
3. Connect fuel return lines (1) to the smoke generator cover assembly (3) on right and left sides of carrier.
4. Secure fuel supply line and fuel return lines on right side of carrier with ten clamps (5), five screws (6), and new lockwashers (7).
5. Secure fuel supply line and fuel return lines on left side of carrier with eight clamps (8), four screws (9), and new lockwashers (10).



REPLACE SMOKE GENERATOR FUEL LINES AND GUARDS (M1059A3 ONLY) —
Continued

0765 00

6. Remove four screws (1) and washers (3) holding electrical line guards (4) in place.
7. Cover two fuel lines with fuel line guards (5). Use four screws (1), new lockwashers (2) and washers (3). Apply primer to screw heads.
8. Install two fuel line guards (6) over fuel lines on top of hull. Secure fuel line guards (6) with three screws (7), washers (8) and new lockwashers (9). **TIGHTEN SCREWS TO 96-120 LB-IN (11-14 N·m) TORQUE.**

**FOLLOW-THROUGH STEPS**

1. Install smoke generator assembly on bracket (WP 0755 00).
2. Install inboard armor shield (WP 0771 00).
3. Connect battery ground strap (WP 0337 00).
4. Set circuit breaker CB1 to ON (TM 3-1040-283-10).

END OF TASK

**REPLACE SMOKE GENERATOR ADAPTER ACCESS PLATE AND GASKET
(M1059A3 ONLY)**

0766 00

THIS WORK PACKAGE COVERS:

Removal (page 0766 00-1).
Installation (page 0766 00-3).

INITIAL SETUP:

Maintenance Level

Unit

References

See your -10
TM 3-1040-283-10
TM 3-1040-283-20

Tools and Special Tools

General Mechanic's Tool Kit (WP 0926 00, Item 65)

Equipment Condition

Engine stopped (see your -10)
Carrier blocked (see your -10)
Circuit breaker CB1 OFF (TM 3-1040-283-10)
Battery ground strap disconnected (WP 0337 00)
Air pressure released from compressor reservoir
(TM 3-1040-283-20)
Inboard armor shield lowered (WP 0771 00)
Smoke generator assembly removed from bracket
(WP 0755 00)

Materials/Parts

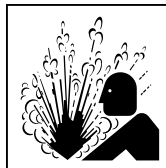
Locknut (4)
Lockwasher (6)

Personnel Required

Signal Support System Specialist 31U10

REMOVAL

WARNING



Compressed air pressure from smoke generator can cause serious injury or death. To avoid accidents, bleed air before working on air compressor assembly or disconnecting any air hose.

WARNING



Before you do any maintenance, discharge all capacitors to ground or electrical shock could injure personnel.

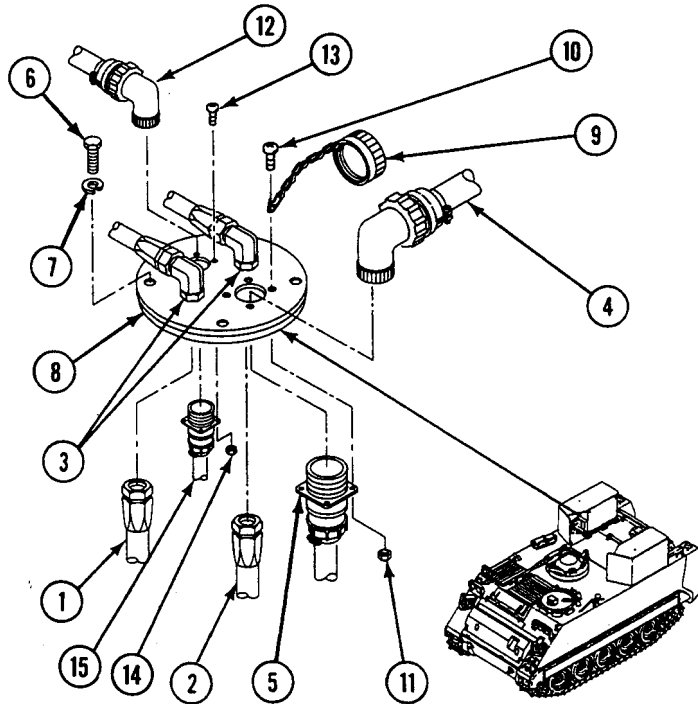
NOTE

Left and right access plates and gasket are replaced the same way.

1. Disconnect air hose (1) and fog oil hose (2) from two elbows (3).

REPLACE SMOKE GENERATOR ADAPTER ACCESS PLATE AND GASKET (M1059A3 ONLY) — Continued**0766 00**

2. Disconnect electrical cable assembly (4) from adapter access plate fitting (5).
3. Remove four screws (6), lockwashers (7), and adapter access plate (8) from hull. Discard lockwashers.
4. Disconnect exterior cable (12) from interior cable (15) at adapter access plate (8).
5. Remove four screws (13), locknuts (14), and interior cable (15) from adapter access plate (8). Discard locknuts.
6. Remove dust cover (9) four screws (10), locknuts (11), and adapter access plate fitting (5) from adapter access plate (8). Discard locknuts.



7. Remove gasket (5) from plate (2). Replace if damaged.

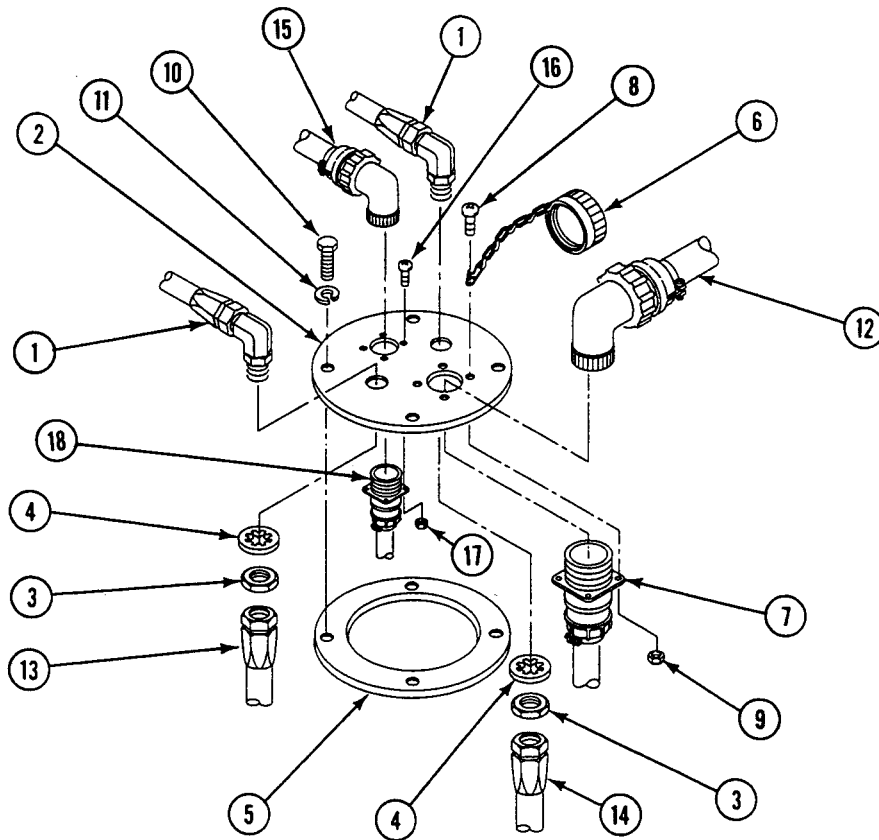
REPLACE SMOKE GENERATOR ADAPTER ACCESS PLATE AND GASKET (M1059A3 ONLY) — Continued

0766 00

NOTE

If only gasket is to be replaced, go to installation Step 1.

8. Remove two jam nuts (3) and lockwashers (4) from two elbows (1). Remove elbows from plate (2). Discard lockwashers.

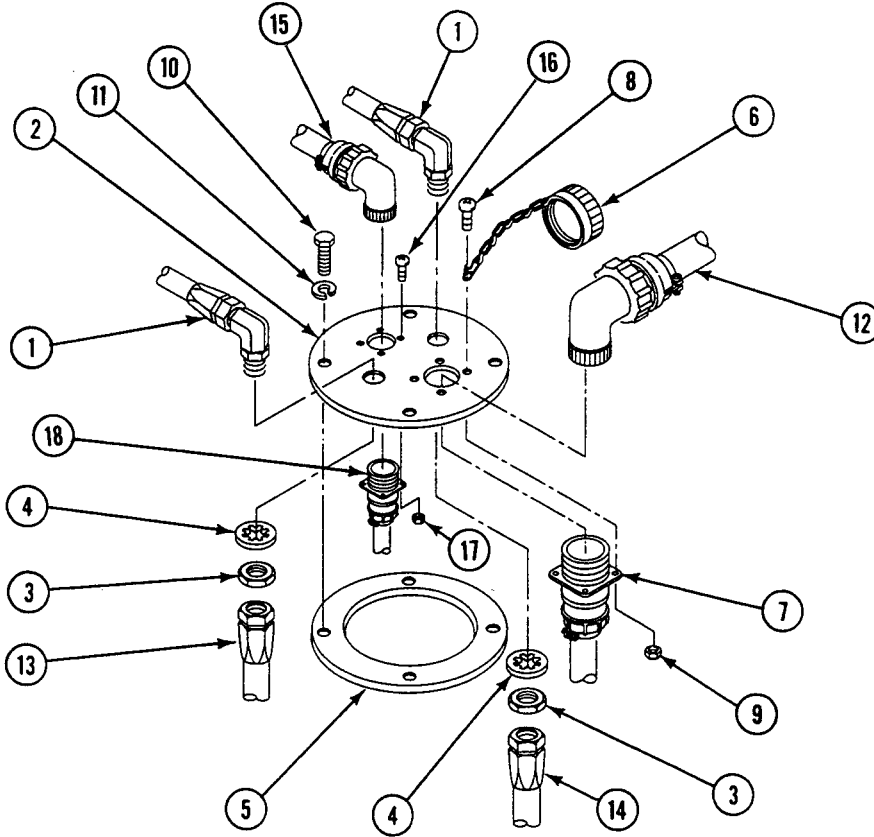
**INSTALLATION**

1. Install two elbows (1) on adapter access plate (2). Secure with two jam nuts (3) and new lockwashers (4).
2. Install gasket (5) on plate (2).
3. Install dust cover (6) and fitting (7) on plate (2). Secure with four screws (8) and new locknuts (9).
4. Install interior cable (18), four screws (16), and new locknuts (17) on adapter access plate (2)
5. Connect exterior cable (15) to interior cable (18) on adapter access plate (2).
6. Install plate (2) on hull. Secure with four screws (10) and new lockwashers (11).
7. Connect electrical cable assembly (12) to plate fitting (7).

REPLACE SMOKE GENERATOR ADAPTER ACCESS PLATE AND GASKET (M1059A3 ONLY) — Continued

0766 00

8. Connect air hose (13) and fog oil hose (14) to two elbows (1).



FOLLOW-THROUGH STEPS

1. Install smoke generator assembly on bracket (WP 0755 00).
2. Raise inboard armor shield (WP 0771 00).
3. Connect battery ground strap (WP 0337 00).
4. Set circuit breaker CB1 to ON (TM 3-1040-283-10).

END OF TASK

**REPLACE SMOKE GENERATOR COMPRESSOR RESERVOIR TO
ADAPTER ACCESS PLATE AIR HOSE (M1059A3 ONLY)**

0767 00

THIS WORK PACKAGE COVERS:

Removal (page 0767 00-1).
Installation (page 0767 00-3).

INITIAL SETUP:

Maintenance Level

Unit

References

See your -10
TM 3-1040-289-10
TM 3-1040-283-20&P

Tools and Special Tools

General Mechanic's Tool Kit (WP 0926 00, Item 65)

Equipment Condition

Engine stopped (see your -10)
Carrier blocked (see your -10)
Circuit breaker CB1 OFF (TM 3-1040-283-10)
Battery ground strap disconnected (WP 0337 00)
Air pressure released from compressor reservoir
(TM 3-1040-283-20&P)

Materials/Parts

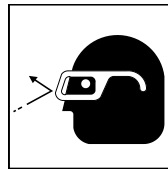
Lockwasher (3)

Personnel Required

Unit Mechanic

REMOVAL

WARNING



Compressed air pressure from smoke generator can cause serious injury or death. To avoid accidents, bleed air before working on air compressor assembly or disconnecting any air hose.

NOTE

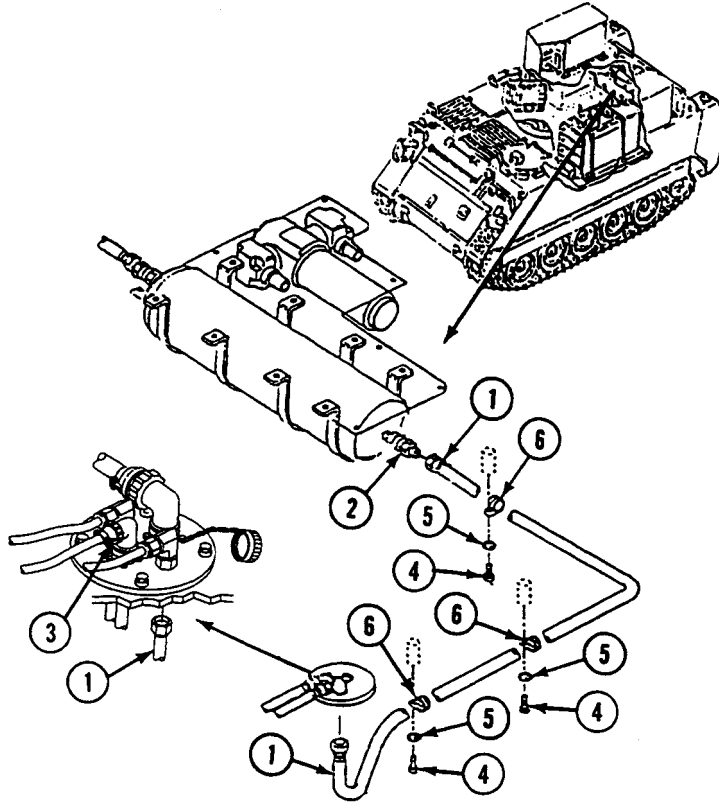
Left and right hoses are replaced the same way.

1. Disconnect air hose (1) from compressor reservoir fitting (2).
2. Disconnect air hose (1) from adapter plate fitting (3).

REPLACE SMOKE GENERATOR COMPRESSOR RESERVOIR TO ADAPTER ACCESS
 PLATE AIR HOSE (M1059A3 ONLY) — Continued

0767 00

3. Remove three screws (4), lockwashers (5), clamps (6), and air hose (1) from carrier hull. Discard lockwashers.

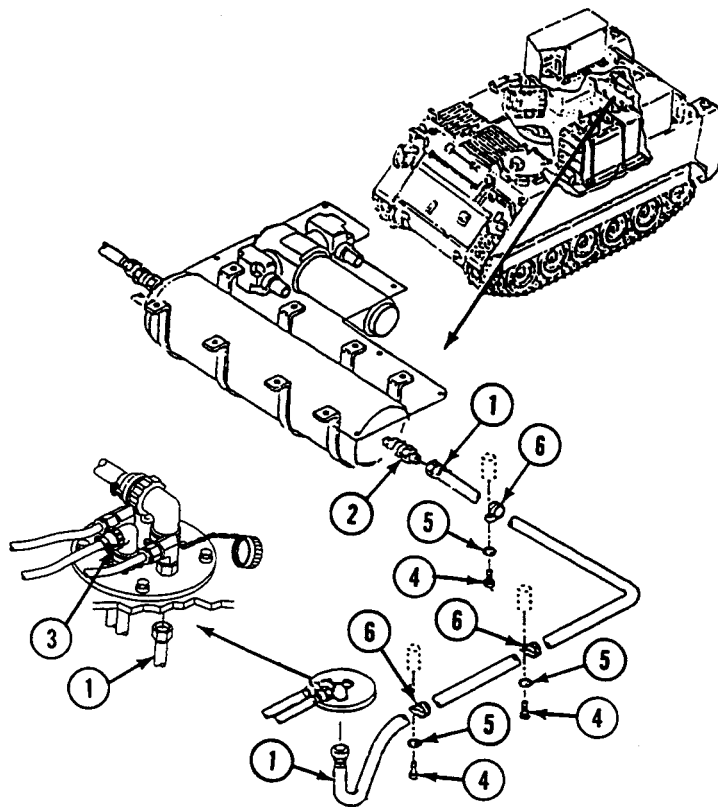


**REPLACE SMOKE GENERATOR COMPRESSOR RESERVOIR TO ADAPTER ACCESS
PLATE AIR HOSE (M1059A3 ONLY) — Continued**

0767 00

INSTALLATION

1. Secure air hose (1) to carrier hull with three clamps (6), new lockwashers (5), and screws (4).
2. Connect air hose (1) to adapter plate fitting (3).
3. Connect air hose (1) to compressor reservoir fitting (2).

**FOLLOW-THROUGH STEPS**

1. Connect battery ground strap (WP 0337 00).
2. Set circuit breaker CB1 to ON (TM 3-1040-283-10).

END OF TASK

**REPLACE SMOKE GENERATOR ADAPTER ACCESS PLATE TO COVER
ASSEMBLY AIR HOSE (M1059A3 ONLY)**

0768 00

THIS WORK PACKAGE COVERS:

Removal (page 0768 00-1).
Installation (page 0768 00-2).

INITIAL SETUP:

Maintenance Level

Unit

Tools and Special Tools

General Mechanic's Tool Kit (WP 0926 00, Item 65)

Personnel Required

Unit Mechanic

References

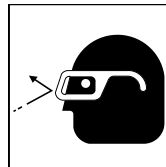
See your -10
TM 3-1040-283-10
TM 3-1040-283-20

Equipment Condition

Engine stopped (see your -10)
Carrier blocked (see your -10)
Circuit breaker CB1 OFF (TM 3-1040-283-10)
Battery ground strap disconnected (WP 0337 00)
Air pressure released from compressor reservoir
(TM 3-1040-283-20)
Inboard armor shield removed (WP 0771 00)
Smoke generator assembly removed from bracket
(WP 0755 00)

REMOVAL

WARNING



Compressed air pressure from smoke generator can cause serious injury or death. To avoid accidents, bleed air compressor storage tank until empty before working on air compressor assembly or disconnecting any air hose.

NOTE

Left side and right side hoses are replaced the same way.

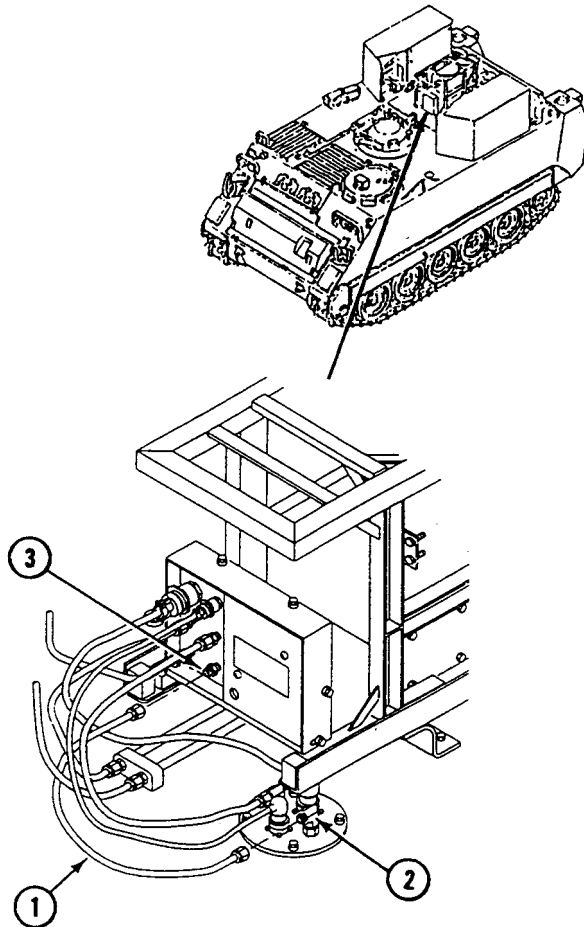
1. Disconnect air hose (1) from adapter plate elbow (2).
2. Disconnect air hose (1) from cover assembly quick disconnect coupling (3).

REPLACE SMOKE GENERATOR ADAPTER ACCESS PLATE TO COVER ASSEMBLY AIR HOSE (M1059A3 ONLY) — Continued

0768 00

INSTALLATION

1. Connect air hose (1) to cover assembly quick disconnect coupling (3).
2. Connect air hose (1) to adapter assembly elbow (2).

**FOLLOW-THROUGH STEPS**

1. Install smoke generator assembly on bracket (WP 0755 00).
2. Install inboard armor shield (WP 0771 00).
3. Connect battery ground strap (WP 0337 00).
4. Set circuit breaker CB1 to ON (TM 3-1040-283-10).

END OF TASK

**REPLACE FOG OIL TANK QUICK DISCONNECT TO ADAPTER ACCESS
PLATE HOSE (M1059A3 ONLY)**

0769 00

THIS WORK PACKAGE COVERS:

Removal (page 0769 00-1).
Installation (page 0769 00-2).

INITIAL SETUP:

Maintenance Level

Unit

References

See your -10
TM 3-1040-283-10

Tools and Special Tools

General Mechanic's Tool Kit (WP 0926 00, Item 65)

Equipment Condition

Engine stopped (see your -10)
Carrier blocked (see your -10)
Circuit breaker CB1 OFF (TM 3-1040-283-10)
Battery ground strap disconnected (WP 0337 00)

Materials/Parts

Lockwasher (9)

Personnel Required

Unit Mechanic

REMOVAL

WARNING



Fog oil is slippery and can cause soldiers to fall and get injured. Clean up all spillage or leakage of fog oil as soon as possible by washing the area, or absorbing the fog oil with sand or other absorbent material.

NOTE

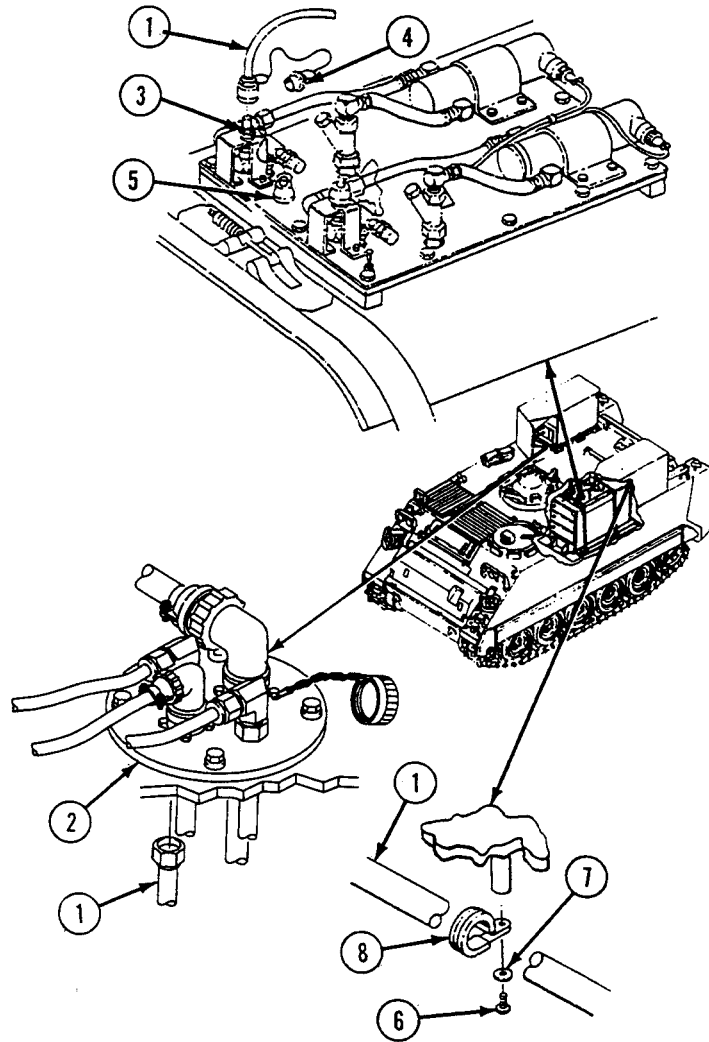
Left and right hoses are replaced the same way.

1. Disconnect fog oil hose assembly (1) from access plate adapter (2).
2. Disconnect fog oil hose assembly (1) from fog oil tank at quick disconnect coupling (3).
3. Install safety cap (4) on hose (1) and dust cap (5) on quick disconnect coupling (3).

**REPLACE FOG OIL TANK QUICK DISCONNECT TO ADAPTER ACCESS PLATE HOSE
(M1059A3 ONLY) — Continued**

0769 00

4. Remove four screws (6), lockwashers (7), clamps (8), and fog oil hose assembly (1) from carrier hull (right side: remove five screws, lockwashers, and clamps). Discard lockwashers.

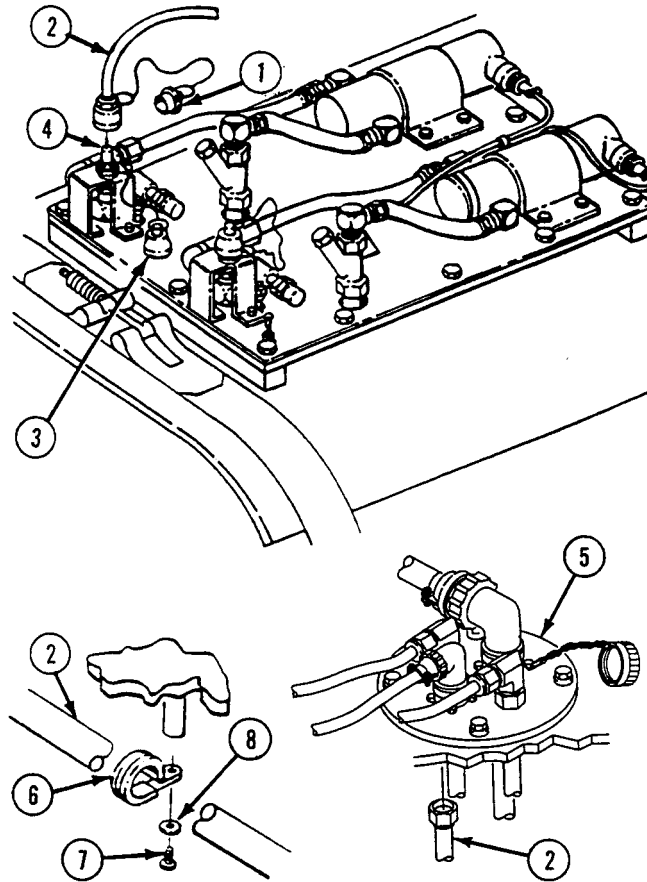
**INSTALLATION**

1. Remove safety cap (1) from hose (2) and dust cap (3) from quick disconnect coupling (4).
2. Connect fog oil hose assembly (2) to fog oil tank quick disconnect coupling (4).
3. Connect fog oil hose assembly (2) to access plate adapter (5).

**REPLACE FOG OIL TANK QUICK DISCONNECT TO ADAPTER ACCESS PLATE HOSE
(M1059A3 ONLY) — Continued**

0769 00

- Secure hose assembly (2) to hull with four clamps (6), screws (7), and new lockwashers (8) (right side: secure with five clamps, screws, and new lockwashers).

**FOLLOW-THROUGH STEPS**

- Connect battery ground strap (WP 0337 00).
- Set circuit breaker CB1 to ON (TM 3-1040-283-10).

END OF TASK

**REPLACE COVER ASSEMBLY FOG OIL QUICK DISCONNECT TO
ADAPTER ACCESS PLATE HOSE (M1059A3 ONLY)**

0770 00

THIS WORK PACKAGE COVERS:

Removal (page 0770 00-1).
Installation (page 0770 00-2).

INITIAL SETUP:

Maintenance Level

Unit

Tools and Special Tools

General Mechanic's Tool Kit (WP 0926 00, Item 65)

Personnel Required

Unit Mechanic

References

See your -10
TM 3-1040-283-10
TM 3-1040-283-20&P

Equipment Condition

Engine stopped (see your -10)
Carrier blocked (see your -10)
Circuit breaker CB1 OFF (TM 3-1040-283-10)
Battery ground strap disconnected (WP 0337 00)
Air pressure released from compressor reservoir
(TM 3-1040-283-20&P)
Inboard armor shield removed (WP 0771 00)
Smoke generator assembly removed from bracket
(WP 0755 00)

REMOVAL

WARNING



Fog oil is slippery and can cause soldiers to fall and get injured. Clean up all spillage or leakage of fog oil as soon as possible by washing the area, or absorbing the fog oil with sand or other absorbent material.

NOTE

Left and right hoses are replaced the same way.

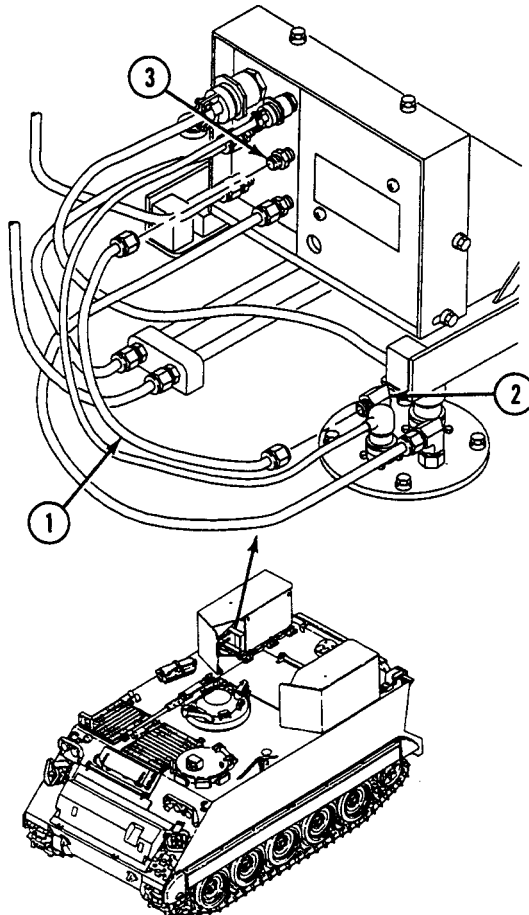
1. Disconnect fog oil hose assembly (1) from adapter assembly elbow (2).
2. Disconnect fog oil hose assembly (1) from cover assembly quick disconnect coupling (3).

**REPLACE COVER ASSEMBLY FOG OIL QUICK DISCONNECT TO ADAPTER ACCESS
PLATE HOSE (M1059A3 ONLY) — Continued**

0770 00

INSTALLATION

1. Connect fog oil hose assembly (1) to adapter plate elbow (2).
2. Connect fog oil hose assembly (1) to cover assembly quick disconnect coupling (3).

**FOLLOW-THROUGH STEPS**

1. Install smoke generator assembly on bracket (WP 0755 00)
2. Install inboard armor shield (WP 0771 00).
3. Connect battery ground strap (WP 0337 00).
4. Set circuit breaker CB1 to ON (TM 3-1040-283-10).

END OF TASK

REPLACE SMOKE GENERATOR ARMOR (M1059A3 ONLY)

0771 00

THIS WORK PACKAGE COVERS:

Removal (page 0771 00-1).
 Installation (page 0771 00-2).

INITIAL SETUP:

Maintenance Level

Unit

References

See your -10

Tools and Special Tools

General Mechanic's Tool Kit (WP 0926 00, Item 65)
 Torque Wrench (WP 0926 00, Item 84)
 Suitable Lifting Device

Equipment Condition

Engine stopped (see your -10)
 Carrier blocked (see your -10)
 Decontamination can removed (right side only)
 (see your -10)
 Smoke generator fuel filter/water separator removed
 (WP 0773 00)

Materials/Parts

Locknut (3)
 Lockwasher

Personnel Required

Unit Mechanic

REMOVAL

WARNING



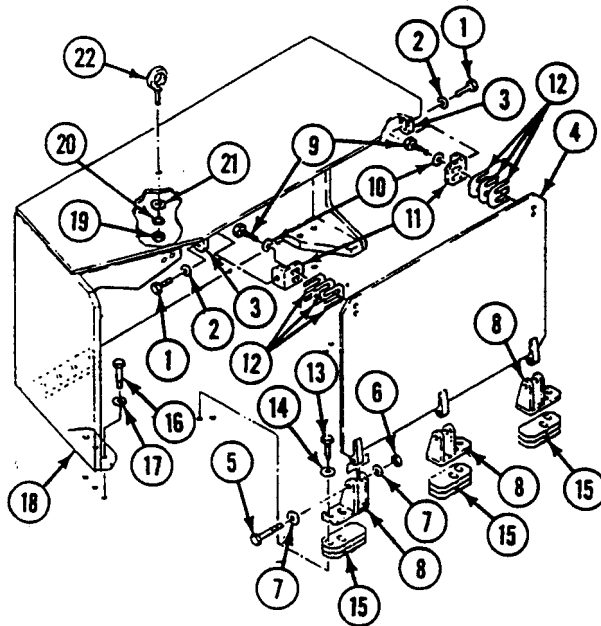
You could be killed or injured by accidental carrier movement. Before you perform maintenance make sure to properly block the carrier. Do not stand under suspended heavy objects. Keep hands away from pinch points.

1. Remove inboard armor shield.
 - a. Remove two screws (1) and washers (2) from two angle brackets (3) at top of inboard armor shield (4).
 - b. Lower shield (4).
 - c. Remove three screws (5), locknuts (6), six washers (7), and inboard shield from three hinge assemblies (8). Discard locknuts.
 - d. Remove four screws (9) and washers (10) securing two angle brackets (11) and shims (12) to shield (4).
 - e. Remove six screws (13) flat washers (14) securing three hinges (8) and shims (15) to hull.

WARNING

Hanging loads can kill or injure you. Keep away from hanging loads and overhead equipment. Keep hands clear while armor is being lifted for removal or lowered for installation.

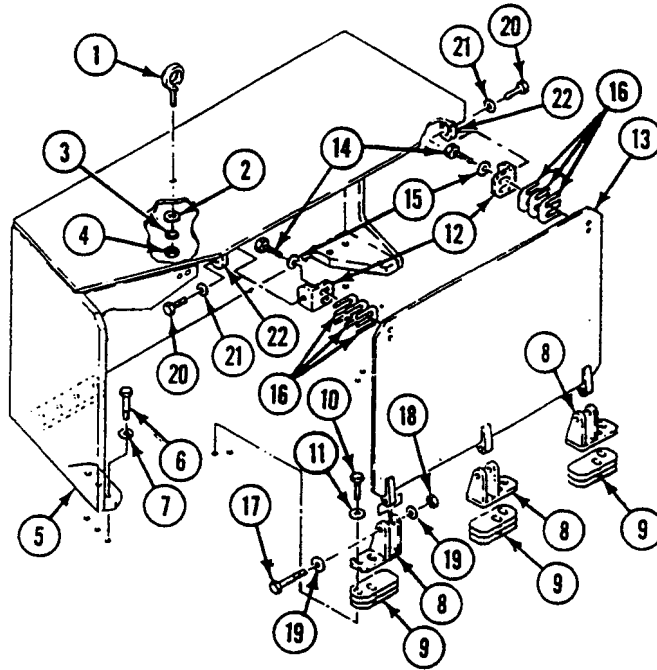
2. Remove outboard armor shield.
 - a. Remove ten screws (16), washers (17), and outboard shield (18) from hull.
 - b. Remove nut (19), lockwasher (20), washer (21), and eyebolt (22) from outboard shield (18). Discard lockwasher.

**INSTALLATION**

1. Install outboard armor shield.
 - a. Install eyebolt (1), washer (2), new lockwasher (3), and nut (4).
 - b. Install outboard shield (5) on hull. Secure with ten screws (6) and washers (7).
2. Install inboard armor shield.
 - a. Position three hinges (8) and shims (9) on hull and secure with six screws (10) and washers (11). **TIGHTEN SCREWS TO 51-54 LB-FT (68-73 N·m TORQUE).**
 - b. Position two angle brackets (12) on shield (13). Secure with four screws (14) and washers (15). If necessary, add shims (16). **TIGHTEN SCREWS TO 22-24 LB-FT (28-33 N·m) TORQUE.**
 - c. Install armor shield (13) in three hinge assemblies (8). Secure with three screws (17), new locknuts (18), and six washers (19).

REPLACE SMOKE GENERATOR ARMOR (M1059A3 ONLY) — Continued**0771 00**

- d. Raise armor shield (13). Secure with two screws (20) and washers (21) to angle brackets (22). **TIGHTEN SCREWS TO 54-59 LB-FT (73-80 N·m) TORQUE.**

**FOLLOW-THROUGH STEPS**

1. Install decontamination can (right side only) (see your -10).
2. Install smoke generator fuel filter/water separator (WP 0773 00).

END OF TASK

**REPLACE SMOKE GENERATOR GLOW PLUG CABLE ASSEMBLIES
(M1059A3 ONLY)**

0772 00

THIS WORK PACKAGE COVERS:

Removal (page 0772 00-2).
Installation (page 0772 00-4).

INITIAL SETUP:

Maintenance Level

Unit

Tools and Special Tools

General Mechanic's Tool Kit (WP 0926 00, Item 65)

Materials/Parts

Locknut (8)

Lockwasher (7)

Personnel Required

Signal Support System Specialist 31U10

Helper

References

See your -10

TM 3-1040-283-10

TM 3-1040-283-20&P

Equipment Condition

Engine stopped (see your -10)

Carrier blocked (see your -10)

Circuit breaker CB1 OFF (TM 3-1040-283-10)

Battery ground strap disconnected (WP 0337 00)

Air pressure released from compressor reservoir
(TM 3-1040-283-20&P)

In-board armor shield removed (WP 0771 00)

Smoke generator assembly removed from bracket
(WP 0755 00)

REPLACE SMOKE GENERATOR GLOW PLUG CABLE ASSEMBLIES (M1059A3 ONLY) —
 Continued

0772 00

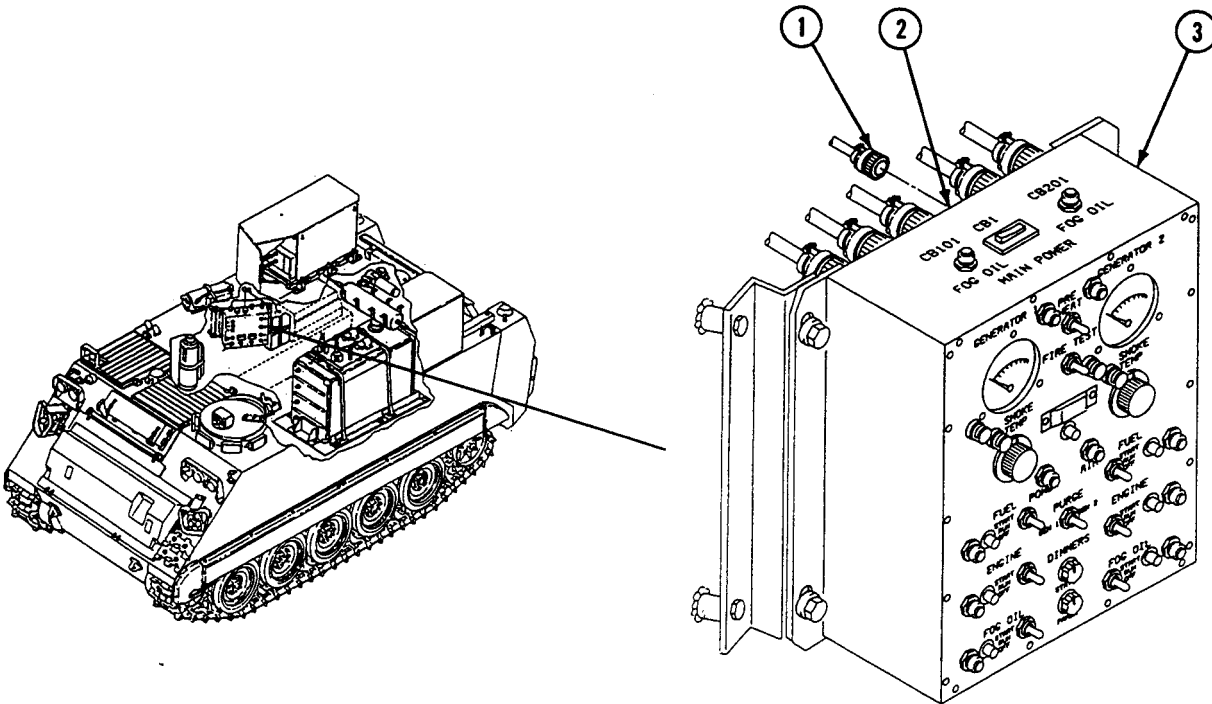
REMOVAL

WARNING



Before you do any maintenance, discharge all capacitors to ground or electrical shock could injure personnel.

1. Disconnect interior cable (1) from jack 1J6 (2) on back of control panel (3).

**NOTE**

There are seven clamps that bolt interior cable to hull. One is used on the right side of vehicle and six on the left. All are removed the same way. Only one clamp is shown. Remove as required.

2. Remove six screws (1), lockwashers (2), clamps (3) and interior cable (4) from left side of hull. Discard lockwashers.

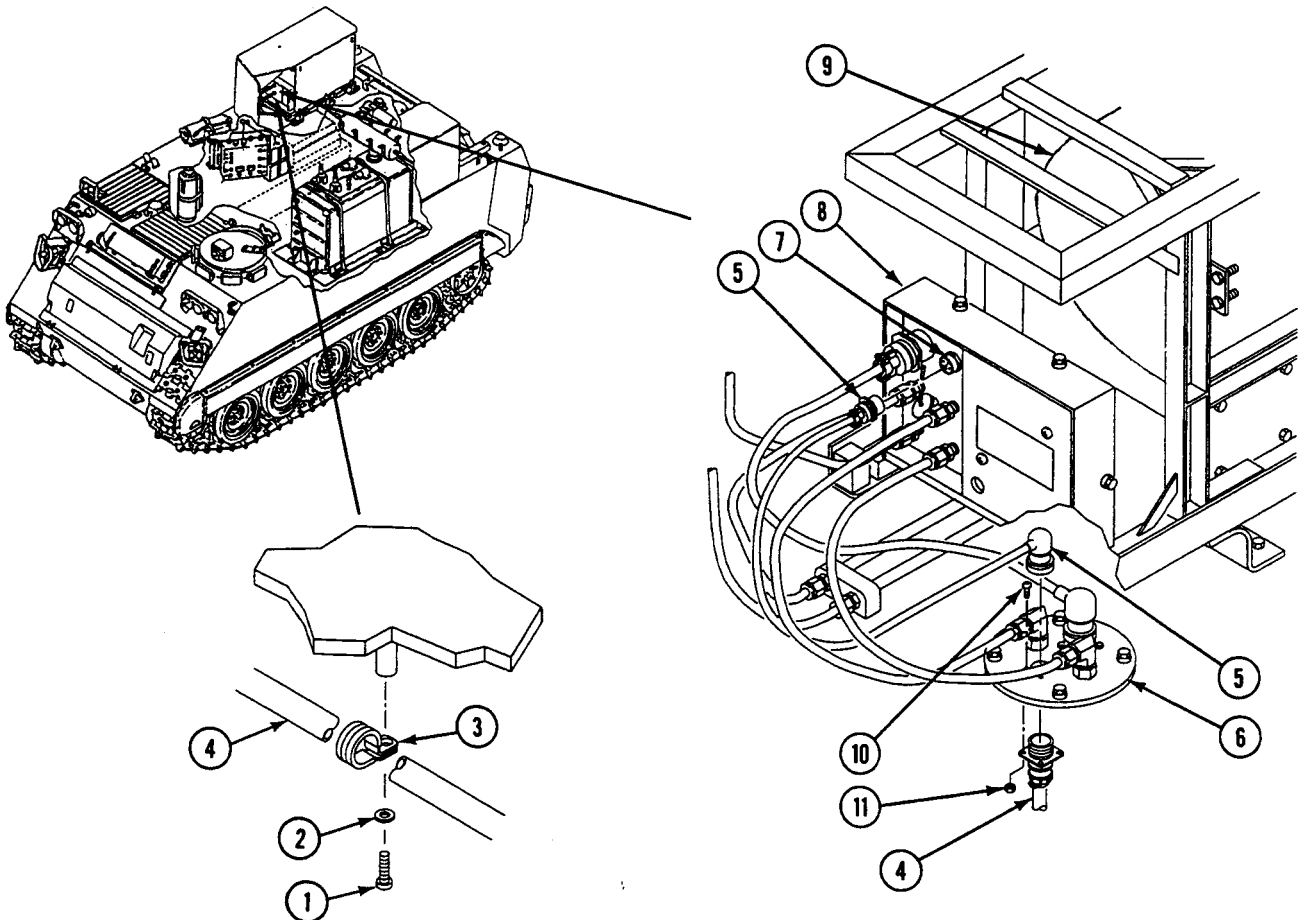
REPLACE SMOKE GENERATOR GLOW PLUG CABLE ASSEMBLIES (M1059A3 ONLY) —
Continued

0772 00

NOTE

There are two exterior cables, access plates, and smoke generators, left and right. Cables are removed from vehicle the same way. Only one exterior cable, access plate, and smoke generator is shown. Remove cables as required.

3. Disconnect exterior cable (5) from interior cable (4) in left access plate (6).
4. Disconnect exterior cable (5) from preheat harness jack (7) on panel (8) of left smoke generator (9).
5. Remove screw (1), lockwasher (2), and clamp (3), and interior cable (4) from right side of hull. Discard lockwashers.
6. Disconnect exterior cable (5) from interior cable (4) in right access plate (6).
7. Disconnect exterior cable (5) from preheat harness jack (7) on panel (8) of right smoke generator (9).
8. Remove four screws (10), locknuts (11), and interior cable (4) from right access plate (6). Discard locknuts.
9. Remove four screws (10), locknuts (11), and interior cable (4) from left access plate (6). Discard locknuts.

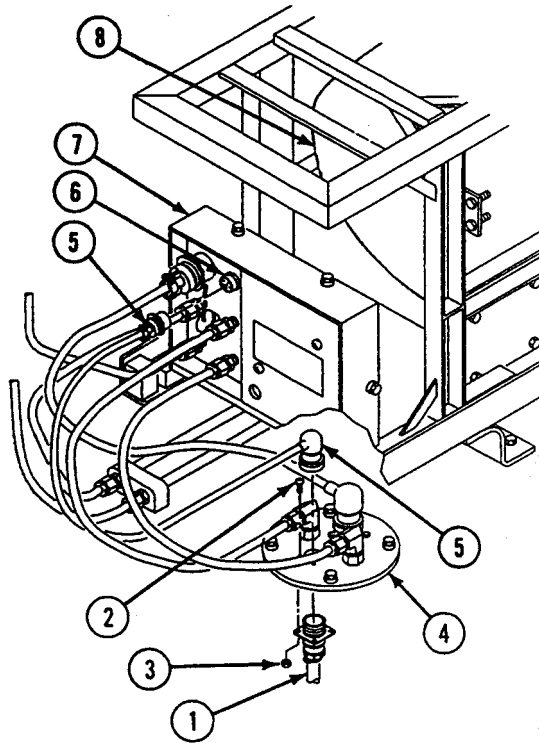


INSTALLATION

NOTE

There are two exterior cables, access plates, and smoke generators, left and right. Cables are installed on vehicle the same way. Only one exterior cable, access plate, and smoke generator is shown. Remove cables as required.

1. Install interior cable (1), four screws (2) and new locknuts (3) to right access plate (4).
2. Connect exterior cable (5) to preheat harness jack (6) on panel (7) of right smoke generator (8).
3. Connect exterior cable (5) to interior cable (1) in right access plate (4).
4. Install interior cable (1), four screws (2) and new locknuts (3) to left access plate (4).
5. Connect exterior cable (5) to interior cable (1) in left access plate (4).
6. Connect exterior cable (5) to preheat harness jack (6) on panel (7) of left smoke generator (8).



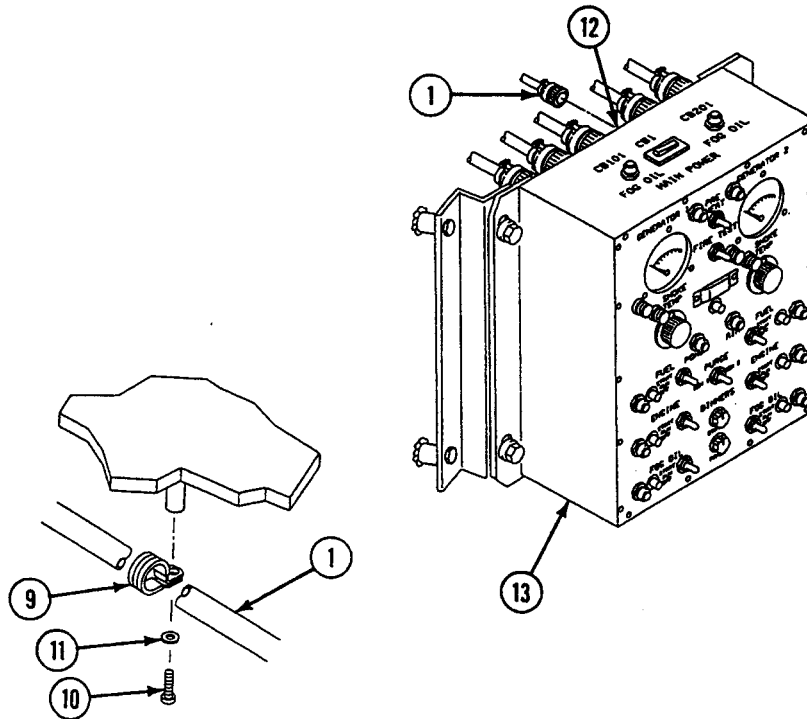
REPLACE SMOKE GENERATOR GLOW PLUG CABLE ASSEMBLIES (M1059A3 ONLY) —
Continued

0772 00

NOTE

There are seven clamps that bolt interior cable to hull. One is used on the right side of vehicle and six on the left. All are installed the same way. Only one clamp is shown. Install as required.

7. Install interior cable (1), six clamps (9), screws (10), and new lockwashers (11) to hull.
8. Install interior cable (1), clamp (9), screw (10), and new lockwasher (11) to hull.
9. Connect interior cable (1) to jack 1J6 (12) on back of control panel (13).

**FOLLOW-THROUGH STEPS**

1. Install smoke generator assembly on bracket (WP 0755 00).
2. Install in-board armor shield (WP 0771 00).
3. Connect battery ground strap (WP 0337 00).
4. Set circuit breaker CB1 to ON (TM 3-1040-283-10).

END OF TASK

REPLACE/REPAIR SMOKE GENERATOR FUEL FILTER/WATER SEPARATOR (M1059A3 ONLY)

0773 00

THIS WORK PACKAGE COVERS:

- Removal (page 0773 00-1).
- Repair (page 0773 00-2).
- Installation (page 0773 00-3).

INITIAL SETUP:

Maintenance Level

Unit

References

See your -10

Tools and Special Tools

General Mechanic's Tool Kit (WP 0926 00, Item 65)

Equipment Condition

Materials/Parts

Filter element gasket

Engine stopped (see your -10)

Personnel Required

Unit Mechanic

Carrier blocked (see your -10)

Battery ground strap disconnected (WP 0337 00)

REMOVAL

NOTE

There are two fuel filter/water separators. One is located on the left side of the vehicle and the other on the right. Both are removed and installed the same way. Only one is shown.

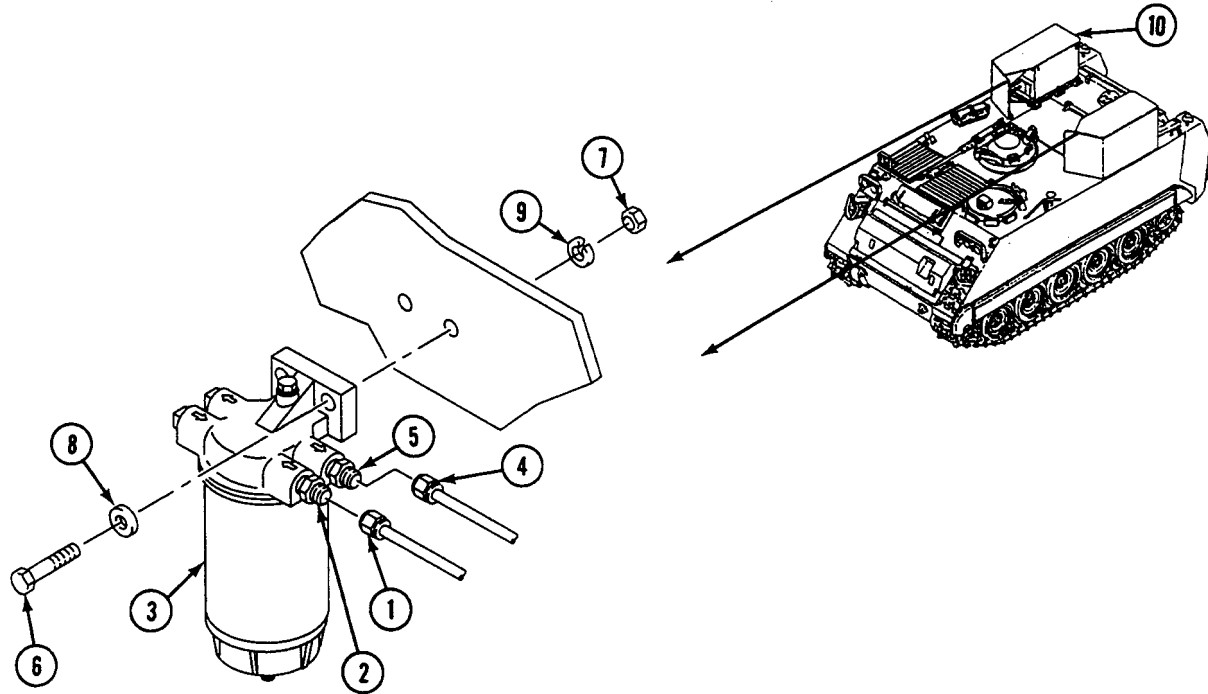
Plug fuel hoses after removing to prevent leakage.

1. Remove fuel hose (1) from inlet tube adapter (2) on fuel filter/water separator (3).
2. Remove fuel hose (4) from outlet tube adapter (5) on fuel filter/water separator (3).

REPLACE/REPAIR SMOKE GENERATOR FUEL FILTER/WATER SEPARATOR (M1059A3 ONLY) — Continued

0773 00

3. Remove two screws (6), nuts (7), washers (8), lockwashers (9), and fuel filter/water separator (3) from armor shield (10). Discard lockwashers.

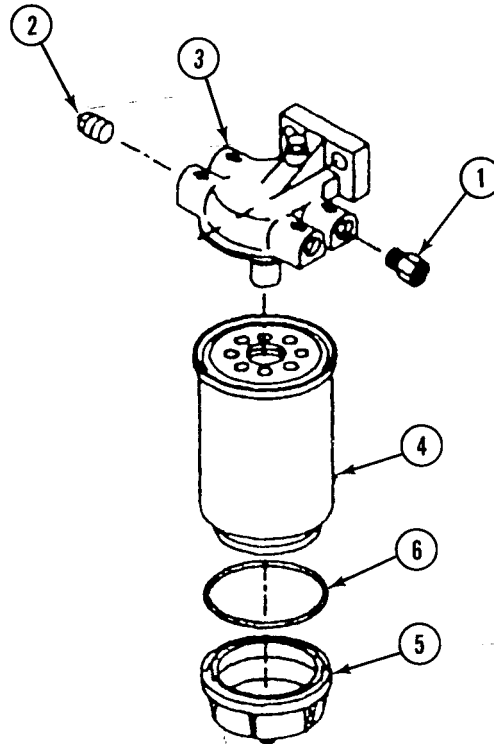

REPAIR OR REPLACEMENT

1. Remove two adapters (1) and plugs (2) from filter head (3).
2. Remove filter head (3) and filter element body (4).
3. Remove sediment bowl (5) from filter element body (4). Discard filter element.
4. Remove gasket (6) from sediment bowl (5). Discard gasket.
5. Coat new gasket (6) with a small amount of fluid from filter head (3). Install gasket (6) on sediment bowl (5).
6. Install sediment bowl (5) on new filter element body (4).
7. Coat threaded part on top of filter element body (4) and install on filter head (3)

REPLACE/REPAIR SMOKE GENERATOR FUEL FILTER/WATER SEPARATOR (M1059A3 ONLY) — Continued

0773 00

8. Install two plugs (2) and adapters (1) on filter head (3).

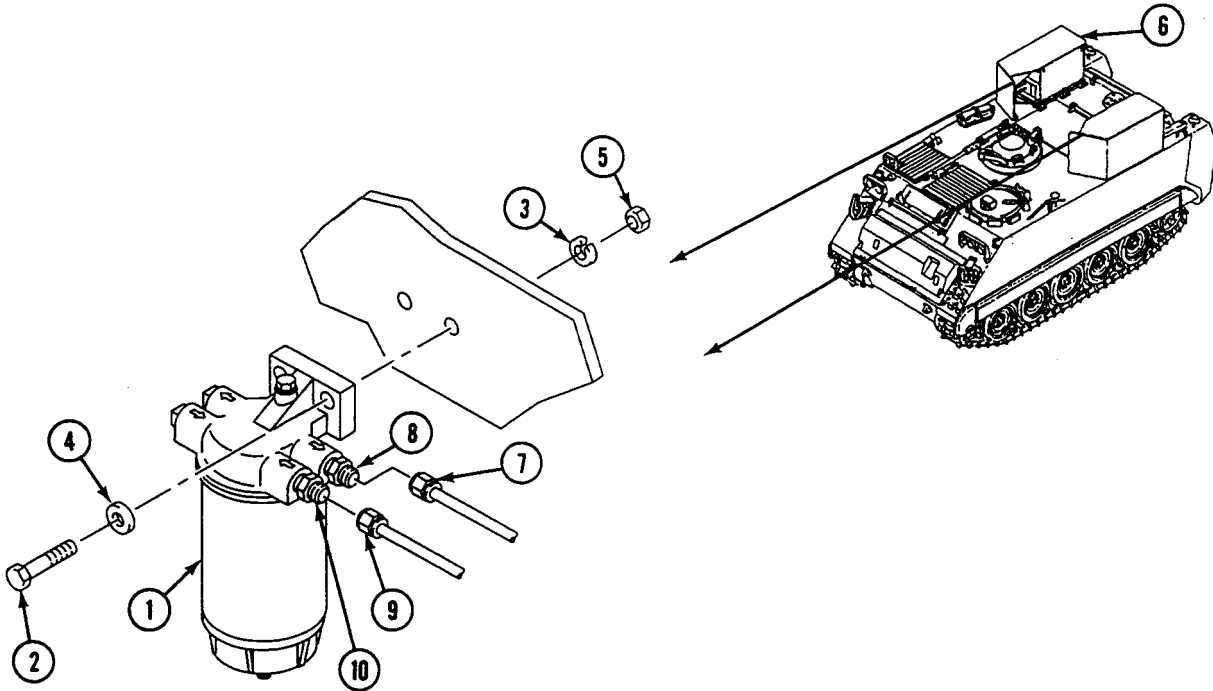
**INSTALLATION**

1. Install fuel filter/water separator (1), two screws (2), new lockwashers (3), washers (4), and nuts (5) on armor shield (6).
2. Connect fuel hose (7) to outlet tube adapter (8) on fuel filter/water separator (1).

REPLACE/REPAIR SMOKE GENERATOR FUEL FILTER/WATER SEPARATOR (M1059A3 ONLY) — Continued

0773 00

3. Connect fuel hose (9) to inlet tube adapter (10) on fuel filter/water separator (1).



FOLLOW-THROUGH STEPS

1. Connect battery ground strap (WP 0337 00).

END OF TASK

REPLACE M14 AIR PURIFIER AND FRAME (M113A3 ONLY)**0774 00****THIS WORK PACKAGE COVERS:**

Removal (page 0774 00-1).
Installation (page 0774 00-2).

INITIAL SETUP:Maintenance Level

Unit

References

See your -10
See FM 21-40
TM 3-6680-316-10

Tools and Special Tools

General Mechanic's Tool Kit (WP 0926 00, Item 65)

Materials/Parts

Locknuts (24)

Locknuts (5)

Equipment Condition

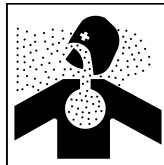
Engine stopped (see your -10)

Carrier blocked (see your -10)

Personnel Required

Unit Mechanic

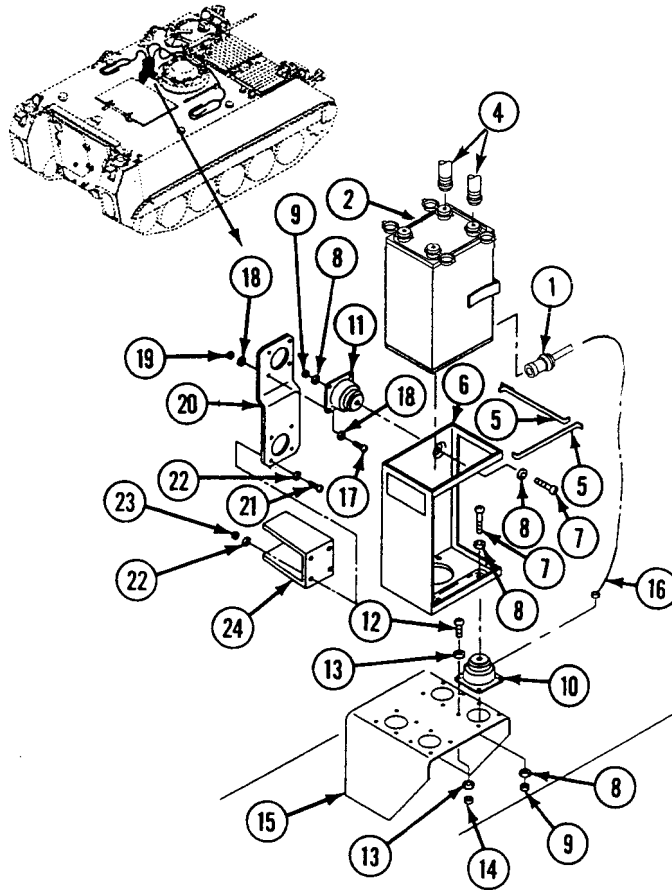
Battery ground strap disconnected (WP 0337 00)

REMOVAL**WARNING**

Contaminated filters are hazardous to personnel. Use precautions when handling filters (see FM 21-40). Dispose of filters using trained chemical environment personnel.

1. Disconnect power cable (1) from air purifier (2).
2. Remove three hoses (4) from air purifier (2).
3. Unfasten latch (5) and lift air purifier (2) from frame assembly (6).
4. Remove five screws (7), 10 washers (8), five locknuts (9), and frame assembly (6) from five mounts (10) and (11). Discard locknuts.
5. Remove 16 screws (12), 32 washers (13), 16 locknuts (14), and four mounts (10) from welded frame (15). Discard locknuts.
6. Remove ground wire lead (16).
7. Remove four screws (17), eight washers (18), four locknuts (19), and mount (11) from bracket (20). Discard locknuts.

8. Remove four screws (21), eight washers (22), four locknuts (23), and bracket (20) from welded frame (24). Discard locknuts.



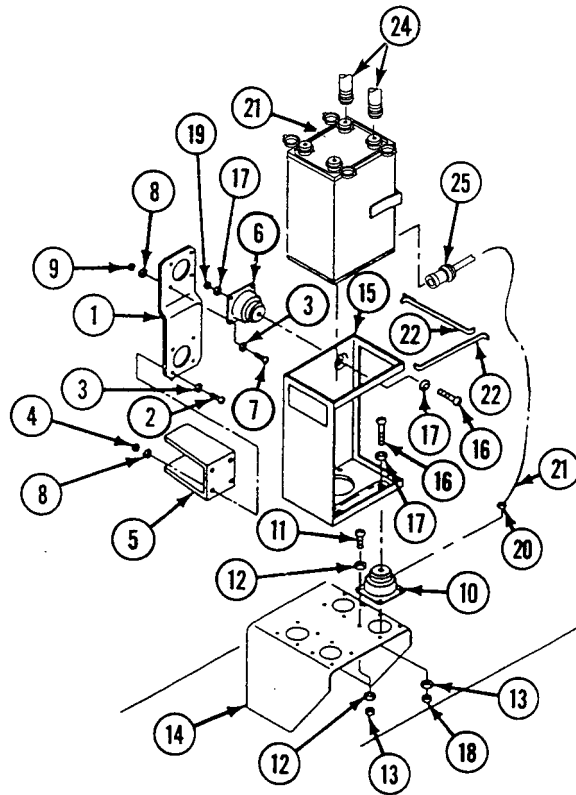
INSTALLATION

NOTE

Remove paint around mounting hole, beyond outside diameter of lockwasher. Install lockwasher against surface where paint was removed to ensure electrical grounding.

1. Install bracket (1), four screws (2), eight washers (3), and four new locknuts (4) on welded frame (5).
2. Install mount (6), four screws (7), eight washers (8), and four new locknuts (9) on bracket (1).
3. Install four mounts (10), 16 screws (11), 32 washers (12), and 16 new locknuts (13) on welded frame (14).
4. Install frame assembly (15), five screws (16), 10 washers (17), and five new locknuts (18) and (19) on five mounts (6) and (10). Do not tighten one outside locknut (18) for ground wire lead (20) connection.
5. Insert ground wire lead (20) and tighten locknut (18).
6. Place air purifier (21) in frame assembly (15) and close latch (22).
7. Install three hoses (24) onto the air purifier (21).

8. Connect power cable (25) to air purifier (21).



FOLLOW-THROUGH STEPS

1. Connect battery ground strap (WP 0337 00).
2. Adjust air purifier. See (TM 3-6680-316-10) for procedure.

END OF TASK

REPLACE NBC AIR PURIFIER AND FRAME (M113A3 ONLY)

0775 00

THIS WORK PACKAGE COVERS:

Removal (page 0775 00-1).
 Installation (page 0775 00-2).

INITIAL SETUP:

Maintenance Level

Unit

Personnel Required

Unit Mechanic

Tools and Special Tools

General Mechanic's Tool Kit (WP 0926 00, Item 65)

References

See your -10
 See FM 21-40
 TM 3-6680-316-10

Materials/Parts

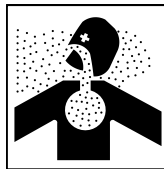
Lockwasher
 Lockwasher
 Lockwasher
 Lockwashers (5)
 Lockwashers (20)

Equipment Condition

Engine stopped (see your -10)
 Carrier blocked (see your -10)
 Battery ground strap disconnected (WP 0337 00)

REMOVAL

WARNING



Contaminated filters are hazardous to personnel. Use precautions when handling filters (see FM 21-40). Dispose of filters using trained chemical environment personnel.

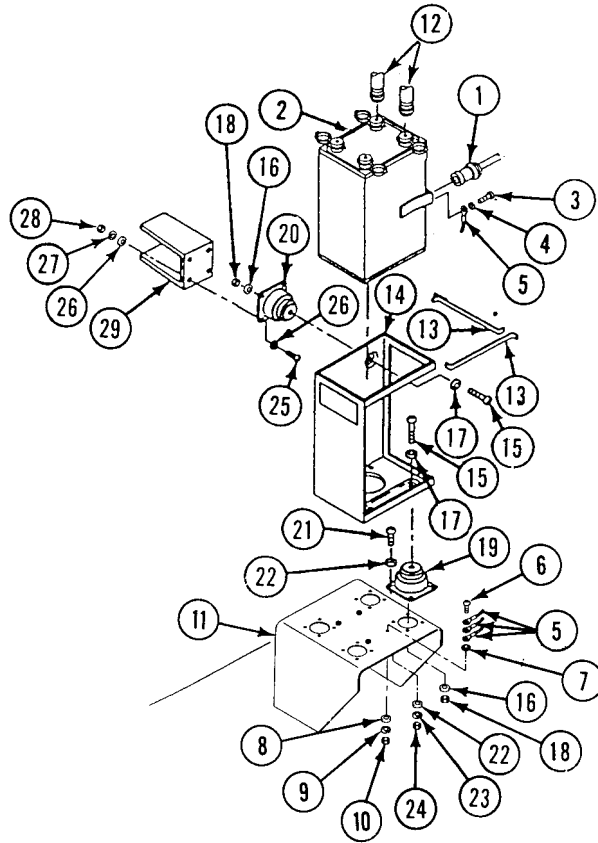
1. Disconnect power cable (1) from air purifier (2).

NOTE

To replace the ground lead, the mounting hardware securing the driver's heater to the welded frame needs to be removed.

2. Remove screw (3), lockwasher (4), and ground lead (5) from air purifier wiring harness connector (2). Install screw back into connector. Discard lockwasher.
3. If ground lead needs to be replaced, remove screw (6), three ground leads (5), lockwasher (7), washer (8), lockwasher (9), and nut (10) securing driver's heater under welded frame (11). discard lockwashers.
4. Disconnect two hoses (12) from air purifier (2).
5. Unfasten latch (13) and lift air purifier (2) from frame assembly (14).
6. Remove five screws (15), lockwashers (16), washers (17), nuts (18), and frame assembly (14) from five mounts (19) and (20). Discard lockwashers.
7. Remove 16 screws (21), 32 washers (22), 16 lockwashers (23), nuts (24), and four mounts (19) from welded frame (11). Discard locknuts.

8. Remove four screws (25), eight washers (26), four lockwashers (27), nuts (28), and mount (20) from welded frame (29). Discard lockwashers.



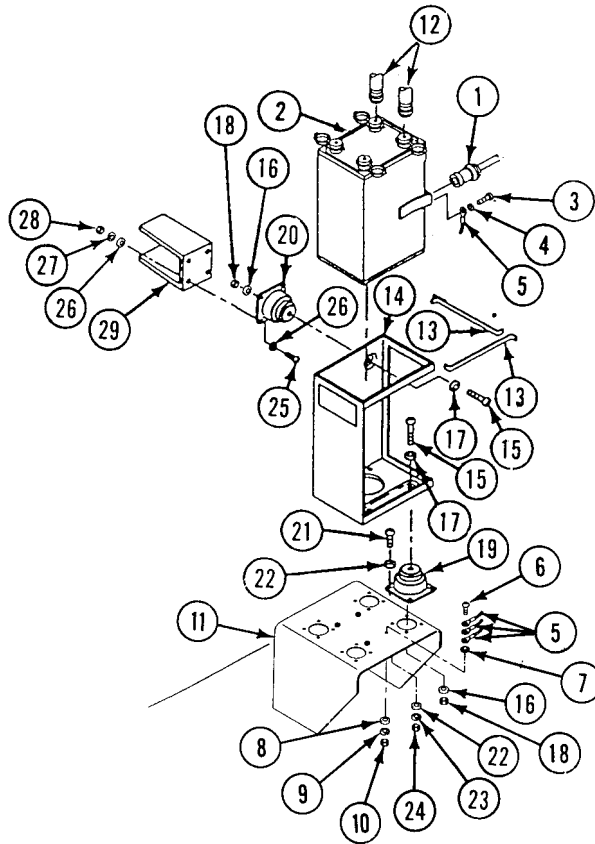
INSTALLATION

NOTE

Remove paint around mounting hole, beyond outside diameter of lockwasher. Install lockwasher against surface where paint was removed to ensure electrical grounding.

1. Install mount (20), four screws (25), four new lockwashers (27), eight washers (26), and nuts (28) on bracket (29).
2. Install four mounts (19), 16 screws (21), 32 washers (22), 16 new lockwashers (23), and nuts (24) on welded frame (11).
3. Install frame assembly (14), five screws (15), washers (17), new lockwashers (16), and nuts (18), on five mounts (19), (20).
4. Place air purifier (2) in frame assembly (14) and close latch (13).
5. Install two quick disconnect hoses (12) onto the air purifier (2) outlets.
6. If ground lead is being replaced, install screw (6), three ground leads (5), new lockwasher (7), washer (8), new lockwasher (9), and nut (10) securing driver's heater under welded frame (11).
7. Remove screw (3) from wiring harness connector on air purifier (2). Secure ground lead (5) to air purifier with screw (3) and new lockwasher (4).

8. Connect power cable (1) to air purifier (2).



FOLLOW-THROUGH STEPS

1. Connect battery ground strap (WP 0337 00).
2. Adjust air purifier. See TM 3-6680-316-10 for procedure.

END OF TASK

REPLACE M8A3/M13 AIR PURIFIER AND FRAME (M577A3 ONLY)

0776 00

THIS WORK PACKAGE COVERS:

Removal (page 0776 00-1).
 Installation (page 0776 00-2).

INITIAL SETUP:

Maintenance Level

Unit

Tools and Special Tools

General Mechanic's Tool Kit (WP 0926 00, Item 65)

Materials/Parts

Locknut (4)

Personnel Required

Unit Mechanic

References

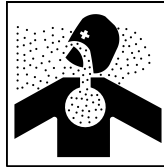
See your -10
 See FM 21-40
 TM 3-6680-316-10

Equipment Condition

Engine stopped (see your -10)
 Carrier blocked (see your -10)
 Battery ground lead disconnected (WP 0338 00)

REMOVAL

WARNING



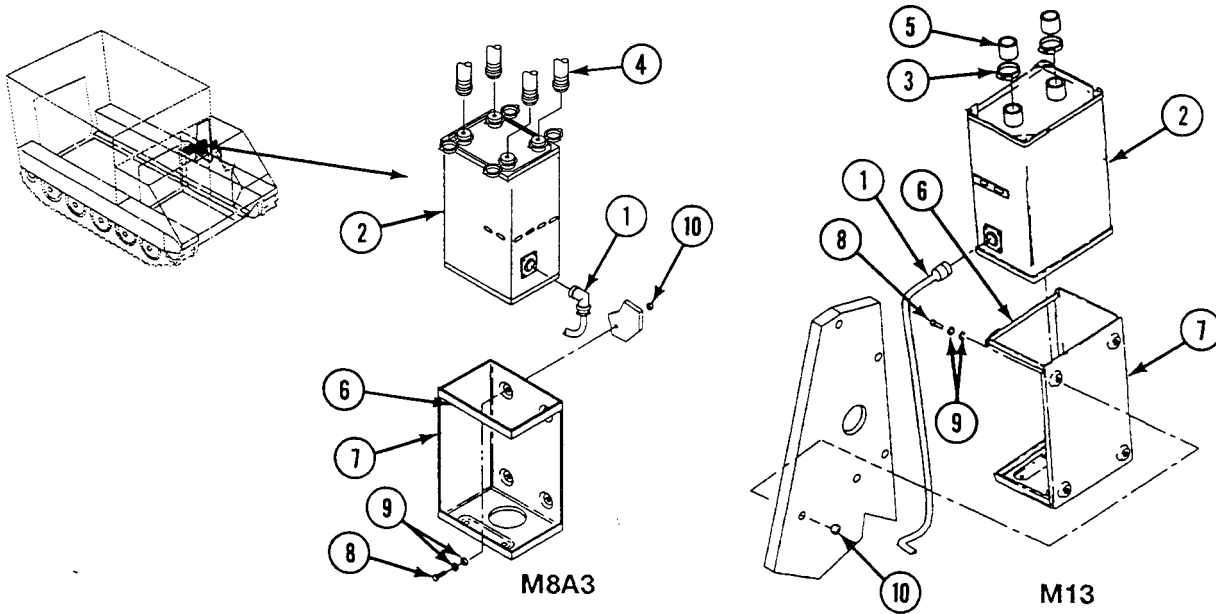
Contaminated filters are hazardous to personnel. Use precautions when handling filters (see FM 21-40). Dispose of filters using trained chemical environment personnel.

NOTE

This task covers replacement of the M8A3 and the M13 air purifier and frame. Differences are noted in respective steps.

1. Disconnect power cable (1) from air purifier (2).
2. For M8A3 purifier, remove four hose quick disconnect fittings (4) from air purifier (2). For M13 purifier, loosen two clamps (3) and remove two couplings (5) and clamps from air purifier.
3. Unfasten latch (6) and lift air purifier (2) from frame assembly (7).

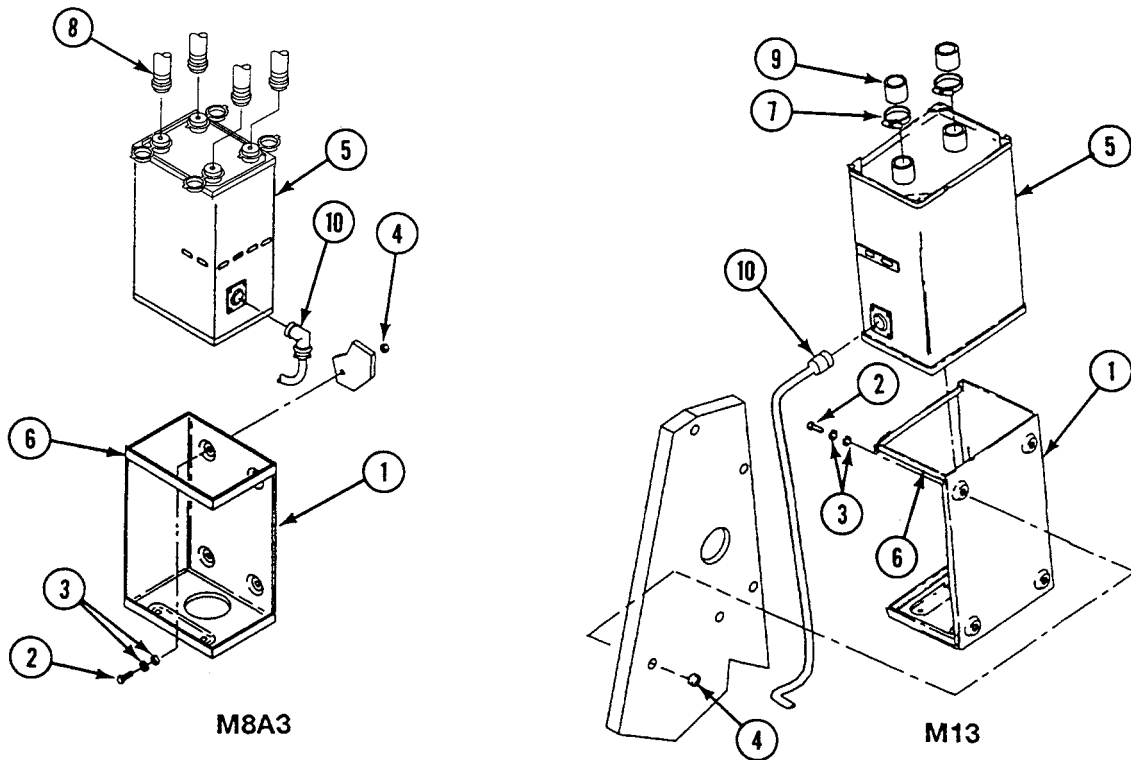
- Remove four screws (8), eight washers (9), four locknuts (10), and frame assembly (7) from plate. Discard locknuts.



INSTALLATION

- Install frame assembly (1), four screws (2), eight washers (3), and four new locknuts (4) on plate.
- Place air purifier (5) in frame assembly (1) and close latch (6).
- For M8A3 purifier, install four hose quick disconnect fittings (8) on air purifier (5). For M13 purifier, install two clamps (7) and couplings (9) on air purifier and tighten clamps.

4. Connect power cable (10) to air purifier (5).



FOLLOW-THROUGH STEPS

1. Connect battery ground lead (WP 0338 00).
2. Adjust air purifier. See TM 3-6680-316-10 for procedure.

END OF TASK

REPLACE M8A3 NBC AIR PURIFIER AND FRAME (M1059A3 ONLY)

0777 00

THIS WORK PACKAGE COVERS:

Removal (page 0777 00-1).
 Installation (page 0777 00-2).

INITIAL SETUP:

Maintenance Level

Unit

References

See your -10
 See FM 3-5
 TM 3-6680-316-10

Tools and Special Tools

General Mechanic's Tool Kit (WP 0926 00, Item 65)

Materials/Parts

Locknuts (20)
 Locknuts (5)

Equipment Condition

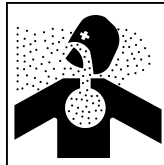
Engine stopped (see your -10)
 Carrier blocked (see your -10)
 Ramp lowered (see your -10)
 Battery ground strap disconnected (WP 0337 00)

Personnel Required

Unit Mechanic

REMOVAL

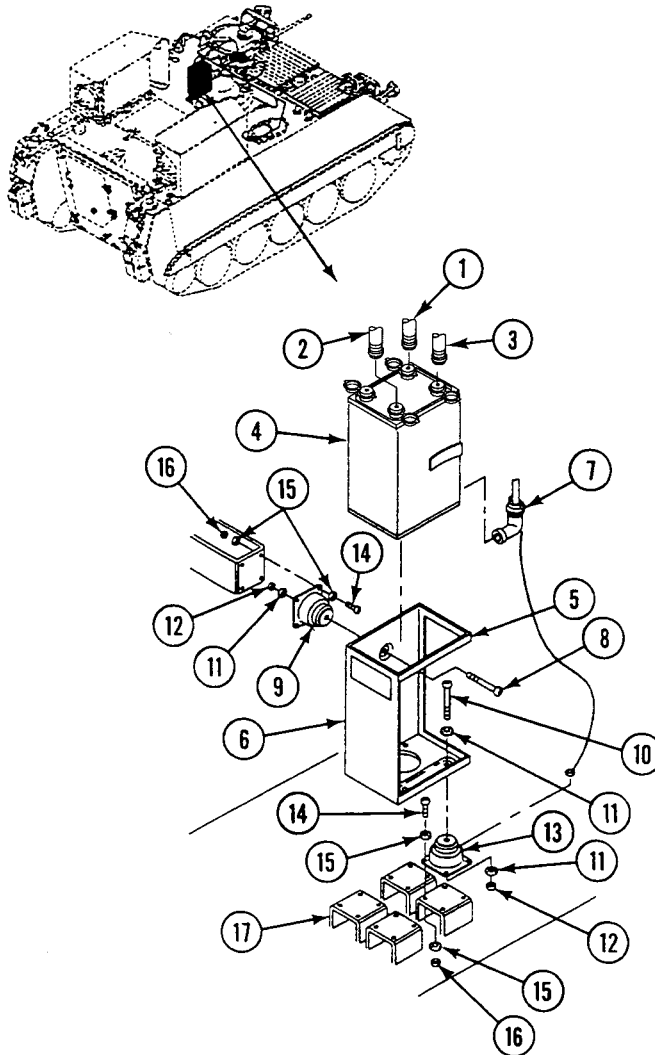
WARNING



Contaminated filters are hazardous to personnel. Use precautions when handling filters (see FM 3-5). Dispose of filters using trained chemical environment personnel.

1. Remove quick-disconnect fittings of hoses for driver's station (1), commander's station (2), and smoke operator's station (3) from air purifier (4).
2. Release latch (5) on frame (6) and remove air purifier (4).
3. Disconnect cable connector and ground cable assembly (7) from air purifier (4).
4. Loosen screw (8) from shock mount (9). Remove slotted ground lead from screw.
5. Remove five screws (10), 10 washers (11), five locknuts (12), and air purifier frame (6) from mounts (13). Discard locknuts.

6. Remove 20 screws (14), 40 washers (15), 20 locknuts (16), and five mounts (13) from welded brackets (17). Discard locknuts.



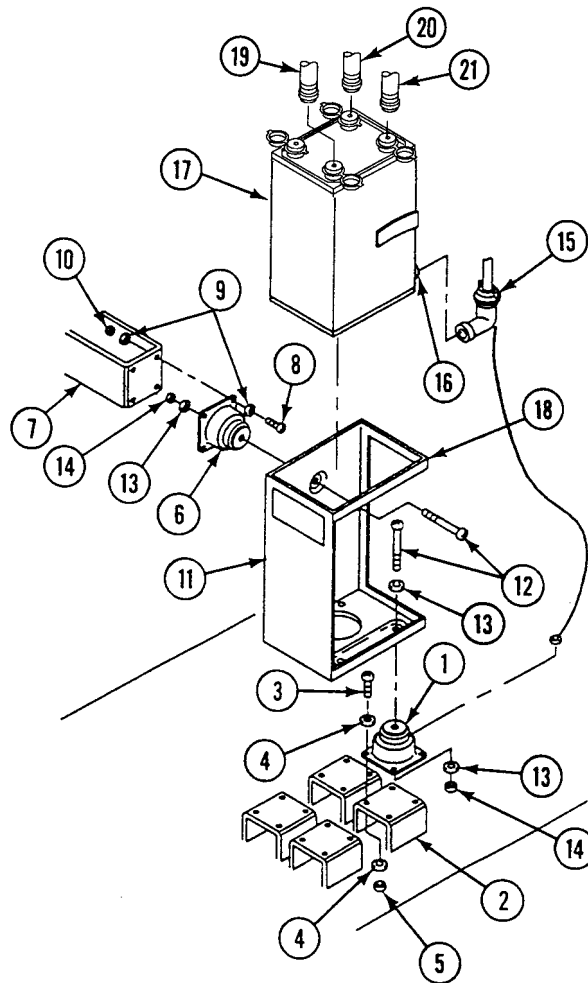
INSTALLATION

NOTE

Remove paint around mounting hole, beyond outside diameter of lockwasher. Install lockwasher against surface where paint was removed to ensure electrical grounding.

1. Attach four shock mount insulators (1) to welded brackets (2) on sponson behind driver with 16 screws (3), 32 washers (4), and 16 new locknuts (5).
2. Attach shock mount insulator (6) to welded bracket (7) mounted on side plate behind driver with four screws (8), eight washers (9), and four new locknuts (10).
3. Install air purifier frame (11) to five shock mounts (1). Secure with five screws (12), 10 washers (13), and five new locknuts (14).
4. Attach cable connector and ground cable assembly (15) to connector (16) on air purifier (17).

5. Loosen screw (12) on shock mount (6). Slide slotted end of ground cable (15) under screw (12). Tighten screw.
6. Install air purifier (17) in frame (11). Secure with latch (18).
7. Attach quick-disconnect fittings of hoses for driver's station (19), commander's station (20), and smoke operator's station (21) to air purifier (17).



FOLLOW-THROUGH STEPS

1. Connect battery ground strap (WP 0337 00).
2. Adjust air purifier. See TM 3-6680-316-10 for procedure.
3. Start engine (see your -10).
4. Raise and lock ramp (see your -10).
5. Stop engine (see your -10).

END OF TASK

REPLACE M8A3 AIR PURIFIER AND FRAME (M1059A3 ONLY)

0778 00

THIS WORK PACKAGE COVERS:

Removal (page 0778 00-1).
 Installation (page 0778 00-3).

INITIAL SETUP:

Maintenance Level

Unit

References

See your -10
 See FM 3-5
 TM 3-6680-316-10

Tools and Special Tools

General Mechanic's Tool Kit (WP 0926 00, Item 65)

Materials/Parts

Locknut (24)
 Locknut (5)

Equipment Condition

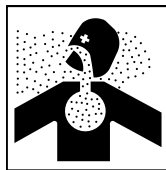
Engine stopped (see your -10)
 Carrier blocked (see your -10)
 Battery ground strap disconnected (WP 0337 00)

Personnel Required

Unit Mechanic

REMOVAL

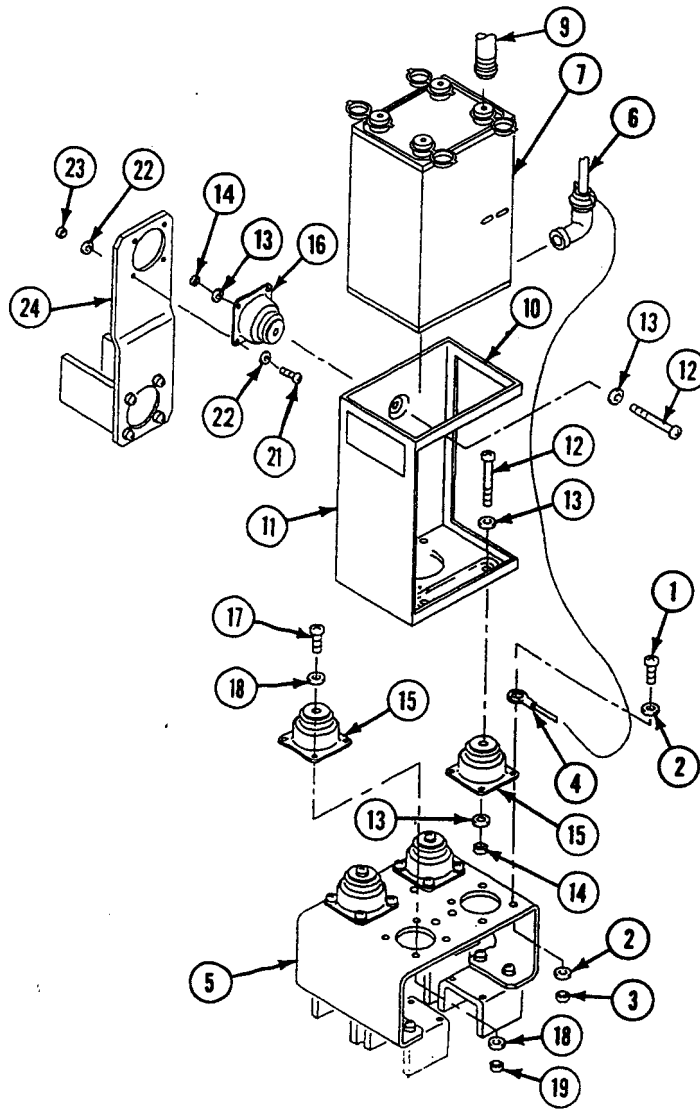
WARNING



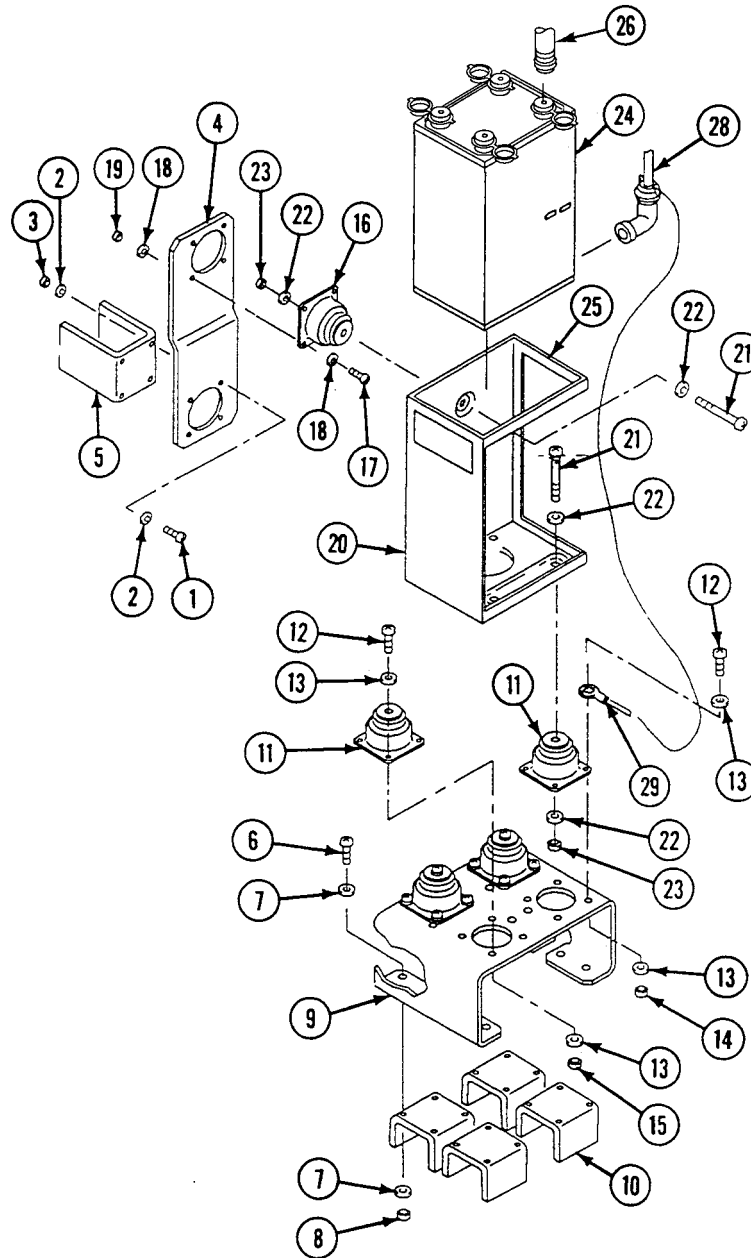
Contaminated filters are hazardous to personnel. Use precautions when handling filters (see FM 3-5). Dispose of filters using trained chemical environment personnel.

1. Remove screw (1), two washers (2), locknut (3), and ground lead (4) from bracket (5).
2. Disconnect power cable (6) from air purifier (7).
3. Remove quick disconnect fittings of three hoses (9) from air purifier (7).
4. Unfasten latch (10) and lift air purifier (7) from frame assembly (11).
5. Remove five screws (12), ten washers (13), five locknuts (14), and frame assembly (11) from centers of five mounts (15) and (16). Discard locknuts.
6. Remove 15 screws (17), 30 washers (18), 15 locknuts (19), and 4 mounts (15) from bracket (5). Discard locknuts.

7. Remove four screws (21), eight washers (22), four locknuts (23), and mount (16) from bracket (24). Discard locknuts.



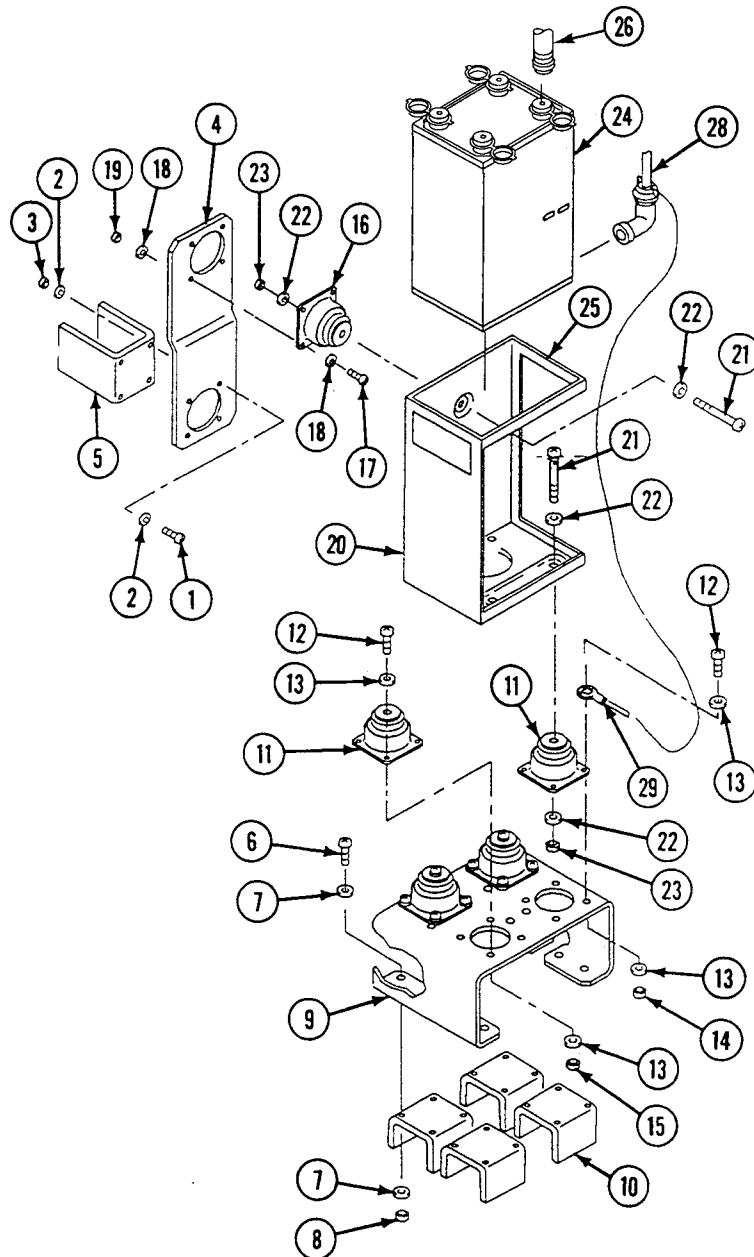
8. Remove eight screws (1), 16 washers (2), eight locknuts (3), and bracket (4) from welded mount (5). Discard locknuts.
9. Remove eight screws (6), 16 washers (7), eight locknuts (8), and bracket (9) from four sponson supports (10). Discard locknuts.



INSTALLATION

1. Install bracket (9), eight screws (6), 16 washers (7), and eight new locknuts (8) on four sponson supports (10).
2. Install bracket (4), eight screws (1), 16 washers (2), and eight new locknuts (3) on welded mount (5).
3. Install four mounts (11), 16 screws (12), 32 washers (13), and 16 new locknuts (14) and (15) on bracket (9). Do not tighten one outside locknut for ground lead connection.

4. Install mount (16), four screws (17), eight washers (18), and four new locknuts (19) on bracket (4).
5. Install frame assembly (20), five screws (21), ten washers (22), and five new locknuts (23) in centers of five mounts (11) and (16).
6. Place air purifier (24) in frame assembly (20) and close latch (25).
7. Install quick disconnect fittings of three hoses (26) on air purifier (24).
8. Connect power cable (28) to air purifier (24).
9. Insert ground lead (29) between locknut (15) and bracket (9) and tighten locknut.



FOLLOW-THROUGH STEPS

1. Connect battery ground strap (WP 0337 00).
2. Adjust air purifier. See TM 3-6680-316-10 for procedure.

END OF TASK

REPLACE M13 AIR PURIFIER AND FRAME (M1068A3 ONLY)

0779 00

THIS WORK PACKAGE COVERS:

Removal (page 0779 00-1).
 Installation (page 0779 00-3).

INITIAL SETUP:

Maintenance Level

Unit

References

See your -10
 See FM 21-40
 TM 3-6680-316-10

Tools and Special Tools

General Mechanic's Tool Kit (WP 0926 00, Item 65)

Materials/Parts

Locknut (2)
 Lockwasher (2)

Equipment Condition

Engine stopped (see your -10)
 Carrier blocked (see your -10)
 Battery ground lead disconnected (WP 0338 00)

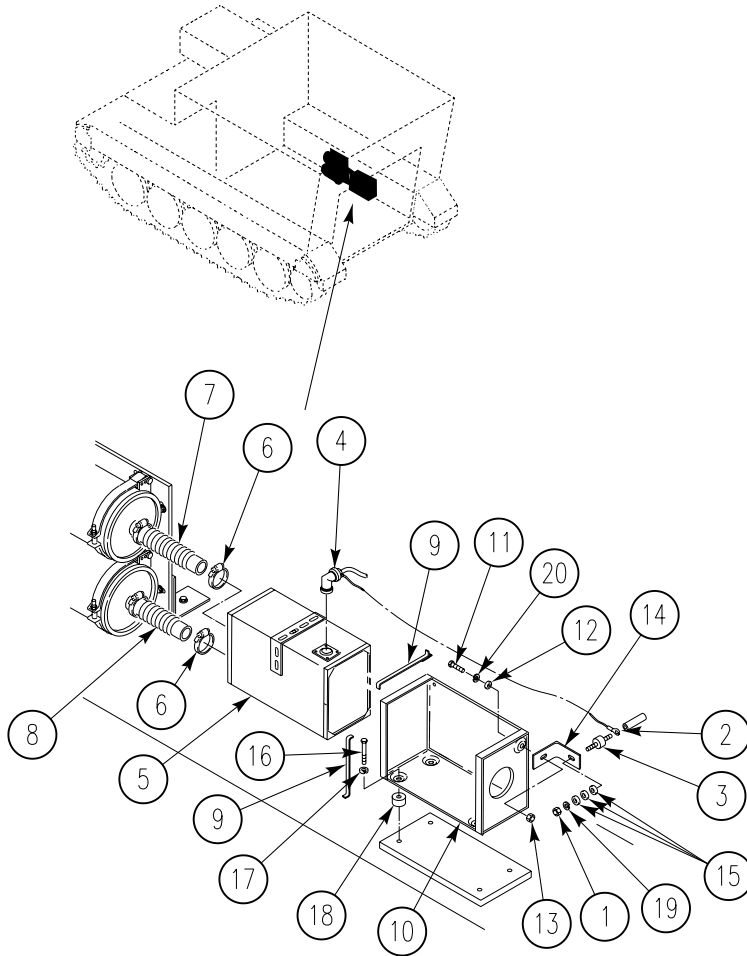
Personnel Required

Unit Mechanic

REMOVAL

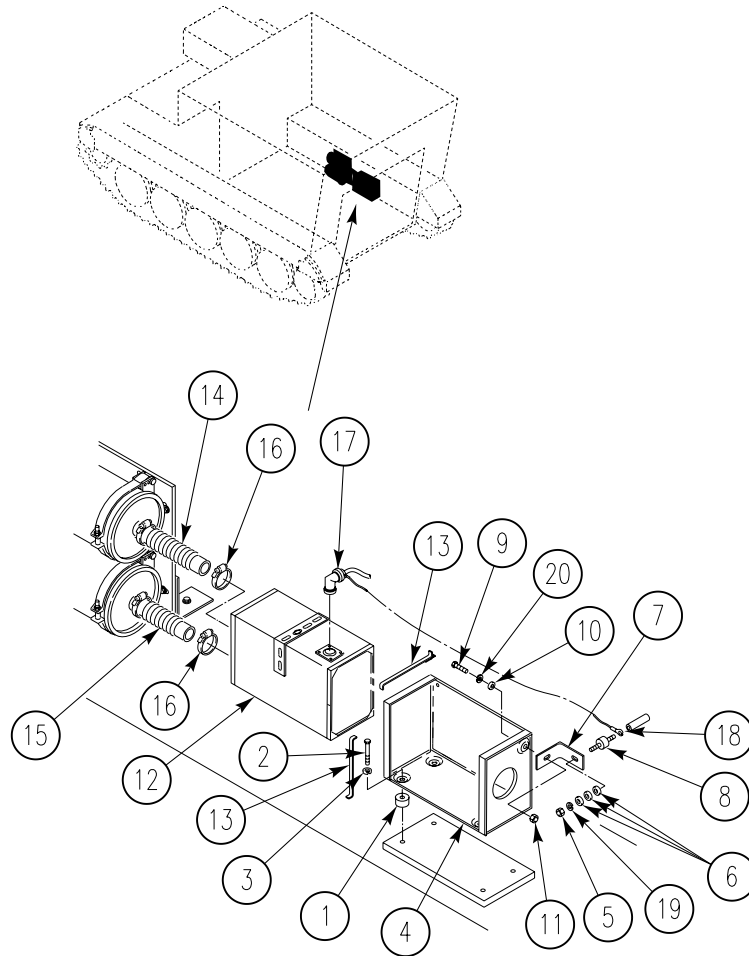
1. Loosen locknut (1) and remove ground lead (2) from air purifier mount (3).
2. Remove circuit lead 538A (4) with ground lead from air purifier (5).
3. Loosen two clamps (6) and remove two hoses (7) and (8) from air purifier (5).

4. Unfasten latch (9) and lift air purifier (5) from frame (10).
5. Remove screw (11), washer (12), lockwasher (20), locknut (13), and frame (10) from bracket (14). Discard locknut and lockwasher.
6. If damaged, remove locknut (1), three washers (15), one lockwasher (19), bracket (14), and mount (3) from sponson.
7. Remove four screws (16), washers (17), and frame (10) from four mounts (18).
8. If damaged, remove mount(s) (18) from sponson.

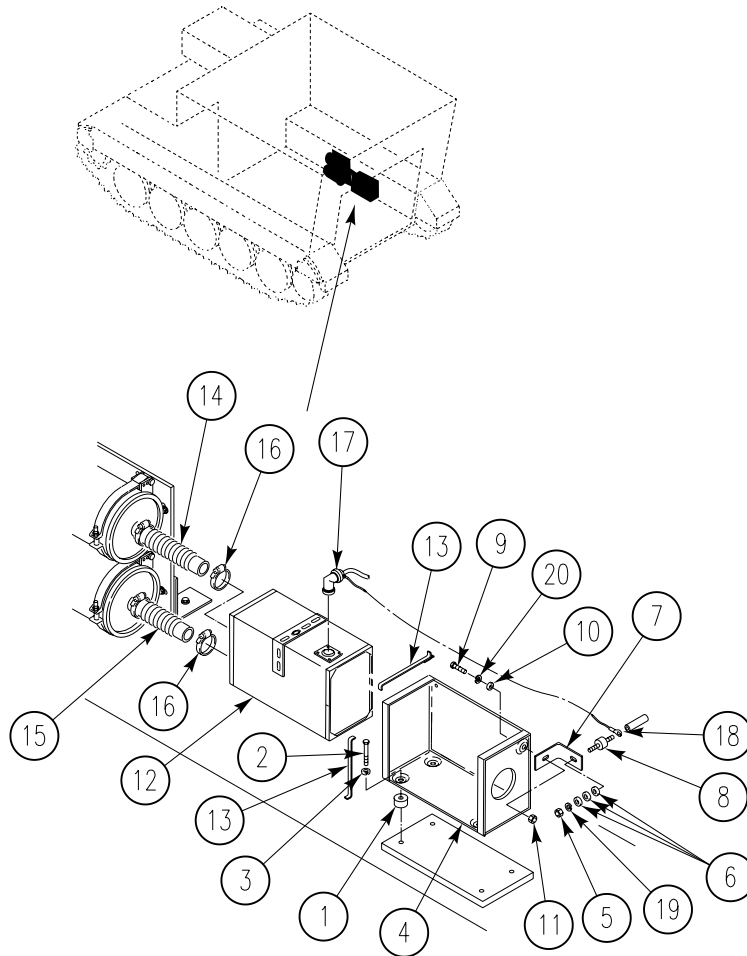


INSTALLATION

1. If removed, install mount(s) (1) on sponson.
2. Install four screws (2), flat washers (3), and frame (4) on mounts (1).
3. If removed, install new locknut (5), three washers (6), one new lockwasher (19), bracket (7), and mount (8) on sponson.



4. Install screw (9), washer (10), new lockwasher (20), new locknut (11), and frame (4) on bracket (7).
5. Place air purifier (12) in frame (4) and secure with latch (13).
6. Install two hoses (14) and (15) on air purifier (12). Tighten two clamps (16) on the two hoses.
7. Install circuit lead 538A (17) with ground lead on air purifier (12).
8. Install ground lead (18) on air purifier mount (8). Tighten locknut (5).



FOLLOW-THROUGH STEPS

1. Connect battery ground lead (WP 0338 00).
2. Adjust air purifier. See TM 3-6680-316-10 for procedure.
3. Start engine (see your -10).
4. Raise and lock ramp (see your -10).
5. Stop engine (see your -10).

END OF TASK

REPLACE M8A3/M14 ORIFICE CONNECTOR ASSEMBLY, SUPPORT, AND QUICK COUPLING HALF (M113A3, M1059A3, AND M577A3 ONLY)

0780 00

THIS WORK PACKAGE COVERS:

Removal (page 0780 00-1).
 Installation (page 0780 00-4).

INITIAL SETUP:

Maintenance Level

Unit

Personnel Required

Unit Mechanic

Tools and Special Tools

General Mechanic's Tool Kit (WP 0926 00, Item 65)
 Retaining Ring Pliers Set (WP 0926 00, Item 32)

References

See your -10

Materials/Parts

Lockwasher
 Lockwashers (2)

Equipment Condition

Engine stopped (see your -10)
 Carrier blocked (see your -10)
 Ramp lowered (see your -10)

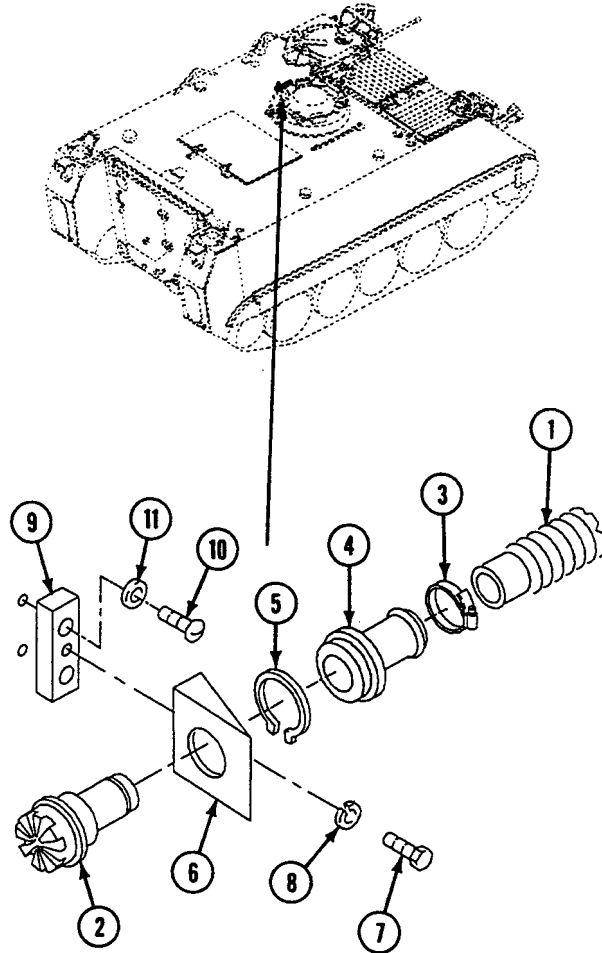
REMOVAL

1. Remove hose (1) from orifice connector assembly (2).
2. Disassemble clamp (3), quick coupling half (4) and hose (1).
3. Remove retaining ring (5) from orifice connector assembly (2).

REPLACE M8A3/M14 ORIFICE CONNECTOR ASSEMBLY, SUPPORT, AND QUICK
 COUPLING HALF (M113A3, M1059A3, AND M577A3 ONLY) — Continued

0780 00

4. Remove orifice connector assembly (2) from mounting bracket (6).



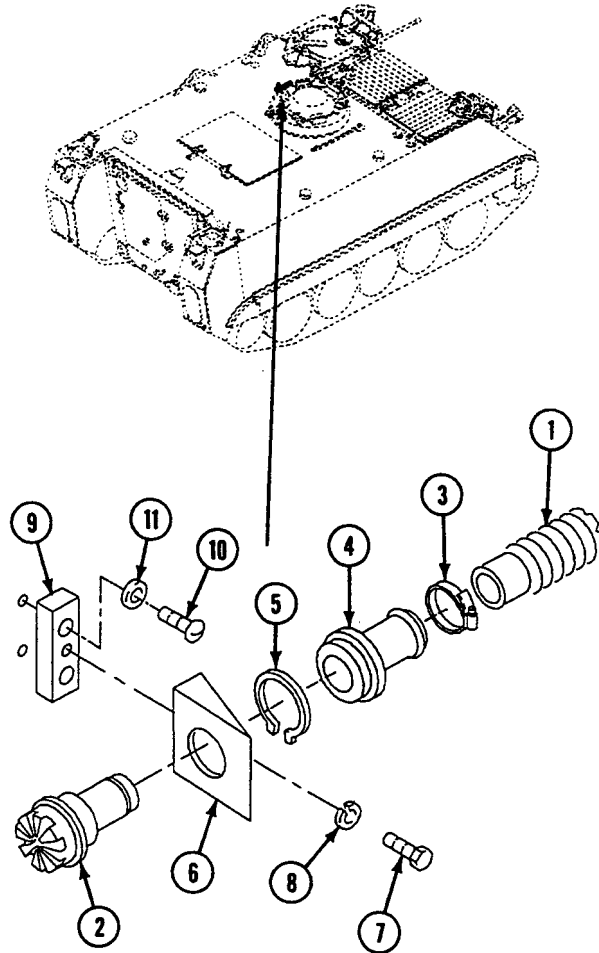
**REPLACE M8A3/M14 ORIFICE CONNECTOR ASSEMBLY, SUPPORT, AND QUICK
COUPLING HALF (M113A3, M1059A3, AND M577A3 ONLY) — Continued**

0780 00

NOTE

Mounting brackets are secured directly to the vehicle bulkhead or a support. Both options are covered in this task.

5. Remove screw (7), lockwasher (8), and mounting bracket (6) from bulkhead or support (9). Discard lockwasher.
6. Remove two screws (10), lockwashers (11), and support (9). Discard lockwashers.

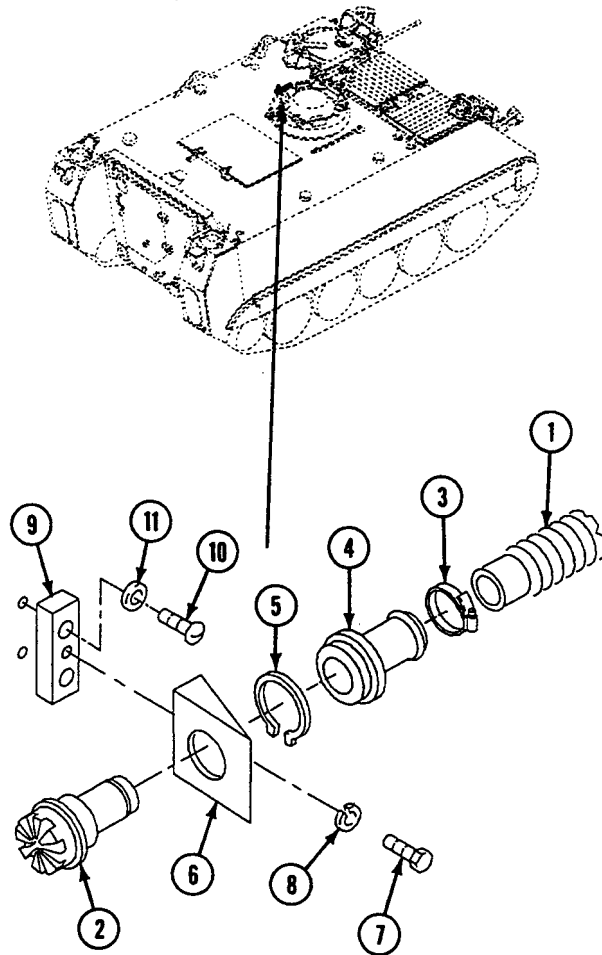


**REPLACE M8A3/M14 ORIFICE CONNECTOR ASSEMBLY, SUPPORT, AND QUICK
COUPLING HALF (M113A3, M1059A3, AND M577A3 ONLY) — Continued**

0780 00

INSTALLATION

1. Install two screws (10), new lockwashers (11), and support (9) on bulkhead.
2. Install screw (7), new lockwasher (8), and mounting bracket (6) on support (9).
3. Install orifice connector assembly (2) into mounting bracket (6). Secure with retaining ring (5).
4. Assemble quick coupling half (4), hose (1), and clamp (3).
5. Install hose (1) on orifice connector assembly (2).

**FOLLOW-THROUGH STEPS**

1. Raise and secure ramp (see your -10).

END OF TASK

REPLACE M13 ORIFICE CONNECTOR ASSEMBLY, BRACKET, AND QUICK COUPLING HALF (M1068A3 ONLY)

0781 00

THIS WORK PACKAGE COVERS:

Removal (page 0781 00-1).
 Installation (page 0781 00-2).

INITIAL SETUP:

Maintenance Level

Unit

Personnel Required

Unit Mechanic

Tools and Special Tools

General Mechanic's Tool Kit (WP 0926 00, Item 65)
 Retaining Ring Pliers Set (WP 0926 00, Item 32)

References

See your -10

Materials/Parts

Lockwasher
 Lockwasher (2)

Equipment Condition

Engine stopped (see your -10)
 Carrier blocked (see your -10)
 Ramp lowered (see your -10)

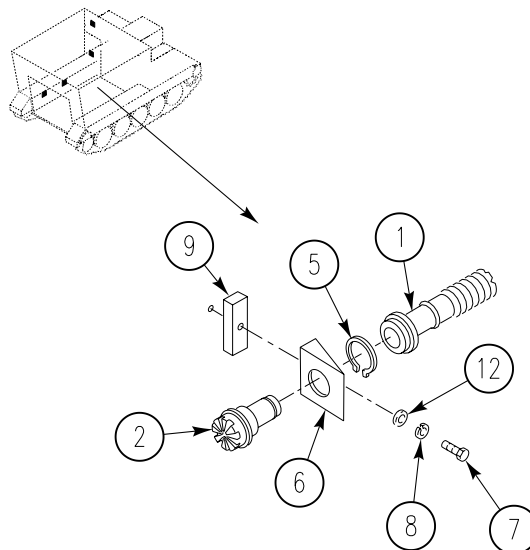
REMOVAL

1. Remove hose (1) from orifice connector assembly (2).
2. Remove retaining ring (5) from orifice connector assembly (2).
3. Remove orifice connector assembly (2) from mounting bracket (6).

NOTE

Mounting brackets are secured to a support or a vehicle mounting bracket. To remove mounting bracket from support go to Step 4. To remove mounting bracket from vehicle mounting bracket go to Step 5.

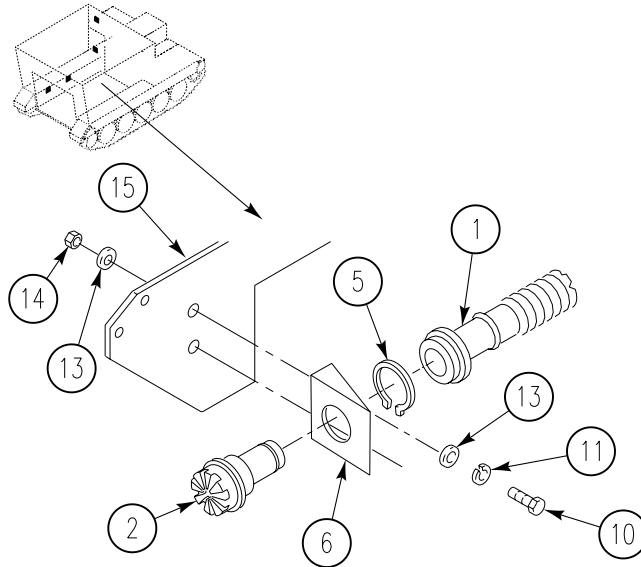
4. Remove screw (7), lockwasher (8), washer (12), and mounting bracket (6) from support (9). Discard lockwasher.



**REPLACE M13 ORIFICE CONNECTOR ASSEMBLY, BRACKET, AND QUICK COUPLING
HALF (M1068A3 ONLY) — Continued**

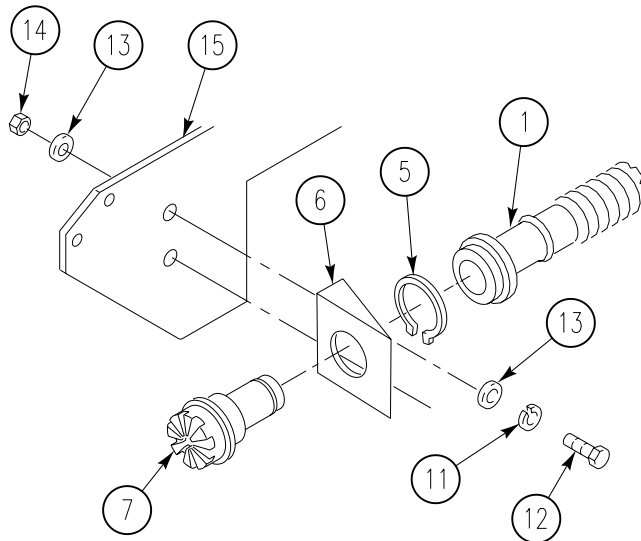
0781 00

- Remove two screws (10), lockwashers (11), nuts (14), four washers(13), and mounting bracket (6) from vehicle mounting bracket (15). Discard lockwashers.



INSTALLATION

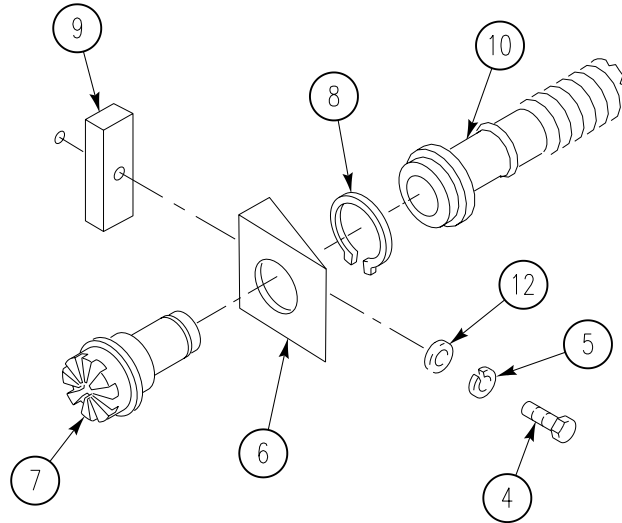
- Install four washers (13), two new lockwashers (11), screws (12), and mounting bracket (6) on vehicle mounting bracket (15).
- Install orifice connector assembly (7) into mounting bracket (6). Secure with retaining ring (5).
- Install hose (1) on orifice connector assembly (7).



**REPLACE M13 ORIFICE CONNECTOR ASSEMBLY, BRACKET, AND QUICK COUPLING
HALF (M1068A3 ONLY) — Continued**

0781 00

4. Install screw (4), new lockwasher (5), washer (12), and mounting bracket (6) on support (9).
5. Install orifice connector assembly (7) into mounting bracket (6). Secure with retaining ring (8).
6. Install hose (10) on orifice connector assembly (7).

**FOLLOW-THROUGH STEPS**

1. Raise and secure ramp (see your -10).

END OF TASK

REPLACE M3 NBC HEATER HOSES AND FITTINGS (M113A3 ONLY)

0782 00

THIS WORK PACKAGE COVERS:

Removal (page 0782 00-1).
 Installation (page 0782 00-4).

INITIAL SETUP:

Maintenance Level

Unit

Personnel Required

Unit Mechanic

Tools and Special Tools

General Mechanic's Tool Kit (WP 0926 00, Item 65)

References

See your -10

Materials/Parts

Lockwasher (10)
 Straps (as required)

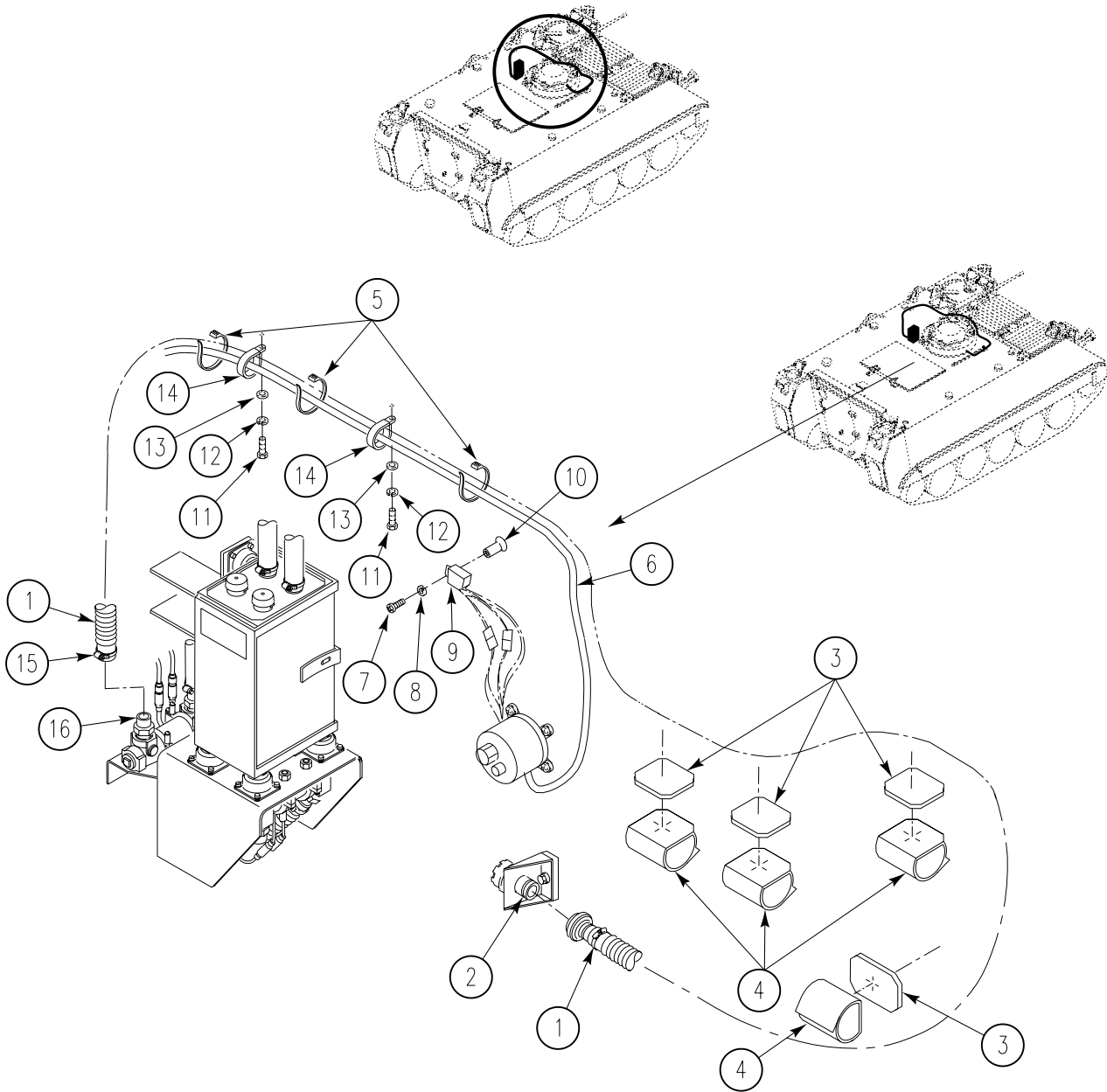
Equipment Condition

Engine stopped (see your -10)
 Carrier blocked (see your -10)
 Battery ground strap disconnected (WP 0337 00)

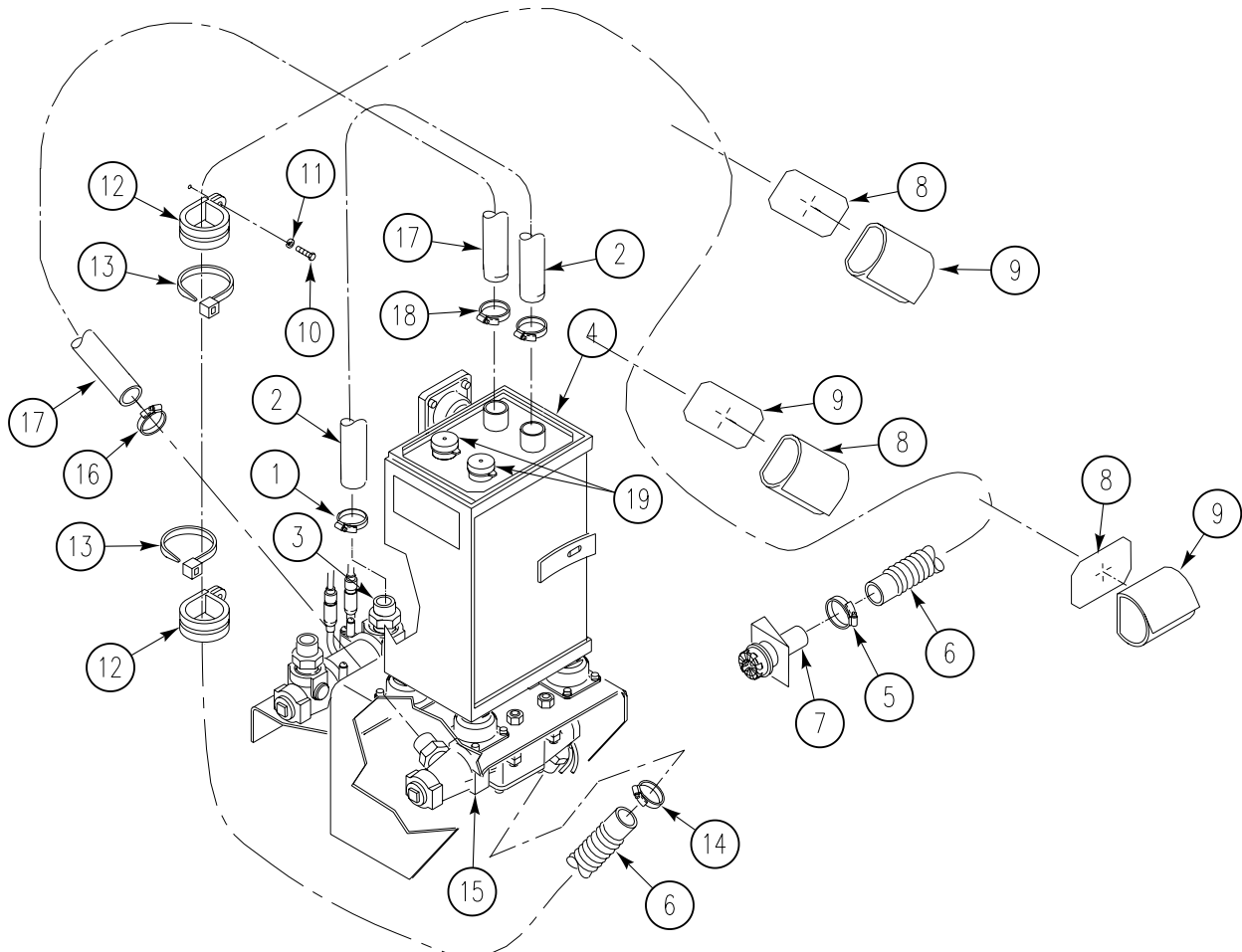
REMOVAL

1. Remove commander's station hose (1) from connector (2) and four web straps (3).
2. If web straps (4) or fastener tape (3) are damaged, remove from bulkhead or top plate, as required.
3. Cut and remove all straps (5) securing electrical leads (6) to commander's station hose (1). Discard straps.
4. Remove screw (7), lockwasher (8), and jumper assembly (9) from weld nut (10). Discard lockwashers.
5. Remove two screws (11), lockwasher (12), washer (13) and clamp (14) from top plate. Remove two clamps from commander's station hose (1). Discard lockwashers.

6. Loosen clamp (15) on commander's station hose (1). Remove hose from heater (16).



7. Loosen clamp (1) on commander's station inlet hose (2). Remove hose from heater (3).
8. Remove inlet quick disconnect hose (2) on air purifier (4).
9. Loosen clamp (5) on driver's station hose (6). Remove hose from connector (7) and three web straps (8) on driver's bulkhead.
10. If web straps (9) or fastener tapes (8) are damaged, remove from hull, as required.
11. Remove two screws (10), lockwashers (11), and clamps (12) from bulkhead. Remove clamps from driver's station hose (6). Discard lockwashers.
12. Cut and remove all straps (13) securing electrical leads to driver's station hose (6). Discard straps.
13. Loosen clamp (14) on driver's station hose (6). Remove hose from heater (15).
14. Remove driver's station hose (17) from air purifier (4).
15. Loosen clamp (16) on driver's station inlet hose (17). Remove quick disconnect from hose (17).
16. Remove two plugs (19) from outlets on air purifier (4).



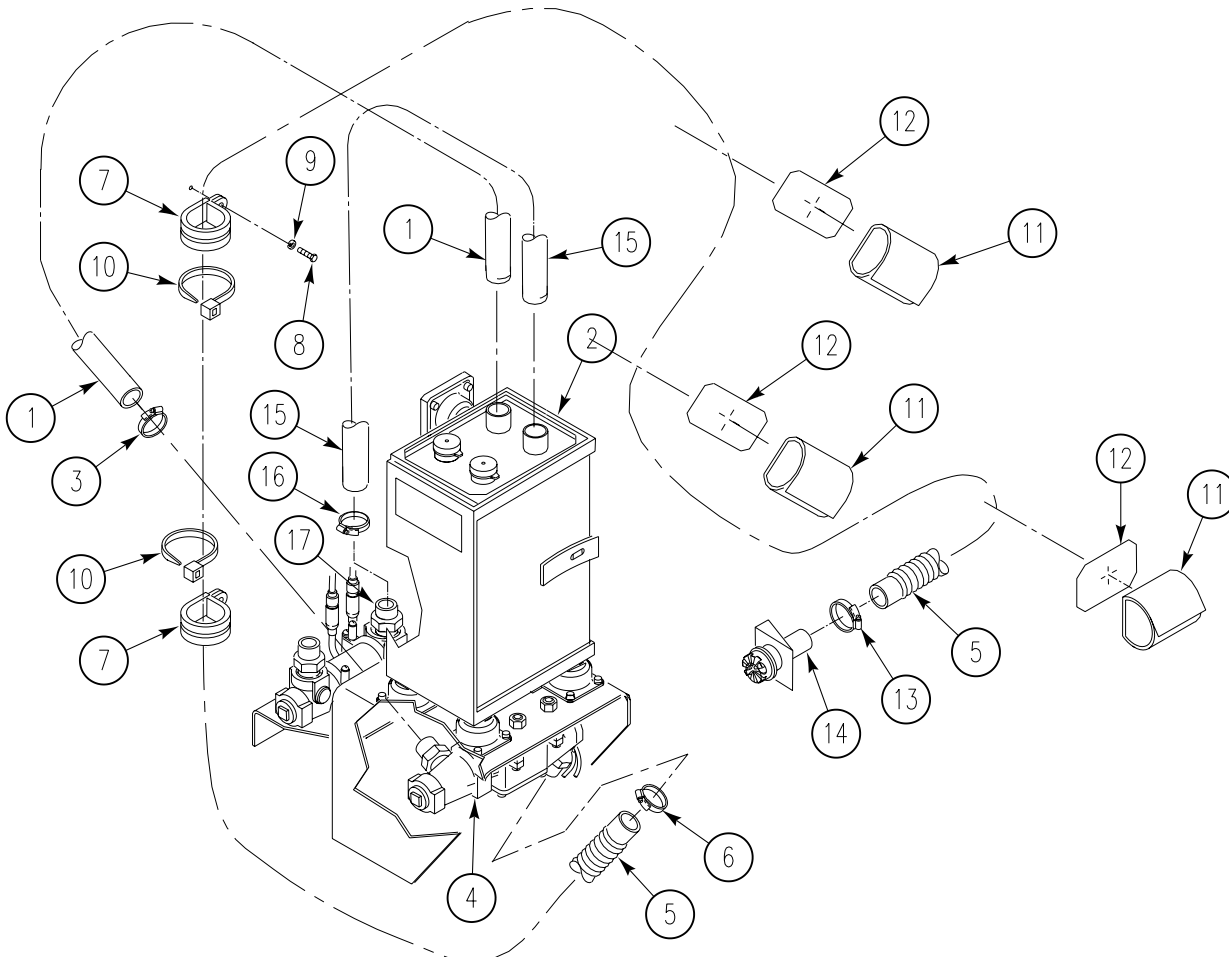
INSTALLATION

1. Install driver's station inlet hose (1) on air purifier (2).
2. Install driver's station inlet hose (1) and clamp (3) on heater (4). Tighten clamp.
3. Install driver's station hose (5) and clamp (6) on heater (4). Tighten clamp.

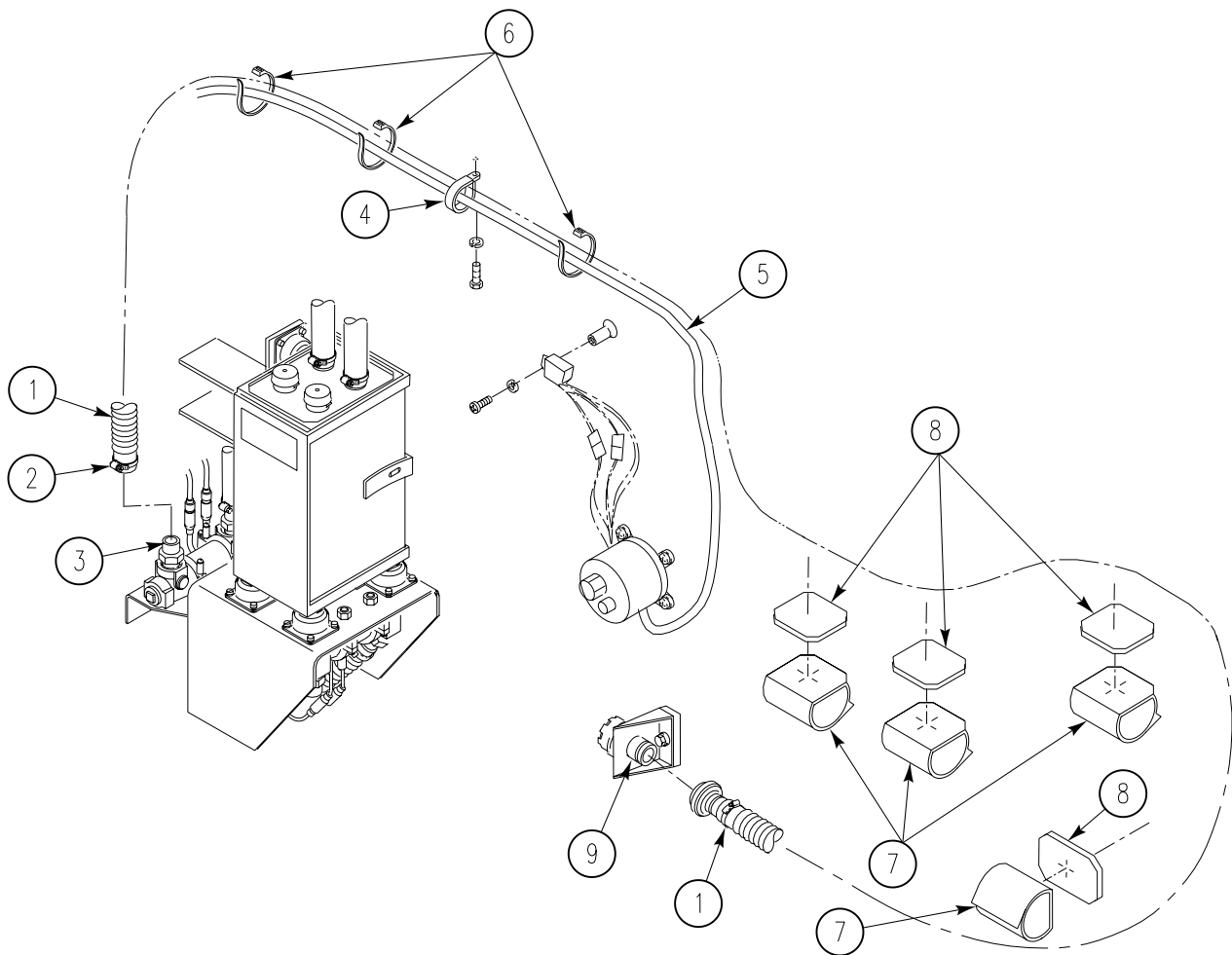
NOTE

Hoses can go into any of the four outlets. The two open outlets have to be covered with plugs to keep the air pressure balanced.

4. Install two clamps (7) on driver's station hose (5). Secure clamps to bulkhead with two screws (8) and new lockwashers (9).
5. Secure electrical leads to driver's station hose (5) with new straps (10) as required.
6. If removed, clean hull, remove backing paper and firmly install new fastener tape (12) against the hull. Install the web strap (11) to tape (12).
7. Install driver's station hose (5) in three web straps (12) on bulkhead.
8. Install driver's station hose (5) and clamp (13) on connector (14). Tighten clamp.
9. Install commander's station inlet hose (15) on air purifier (2).
10. Install commander's station inlet hose (15) and clamp (16) on heater (17). Tighten clamp.



11. Install commander's station hose (1) and clamp (2) on heater (3). Tighten clamp.
12. Install clamp (4) on commander's station hose (1).
13. Secure electrical leads (5) to commander's station hose (1) with new straps (6) as required.
14. If removed, clean hull, remove backing paper and firmly install new fastener tape (8) against the front bulkhead or top plate. Install the web straps (7) to the tapes (8).
15. Install commander's station hose (1) in three web straps (7) on front bulkhead and top plate.
16. Install commander's station station hose (1) on connector (9).



FOLLOW-THROUGH STEPS

1. Connect battery ground strap (WP 0337 00).
2. Check/adjust air flow of NBC system. Follow procedures in TM 3-6680-316-10.
3. Start engine (see your -10).
4. Raise and lock ramp (see your -10).
5. Stop engine (see your -10).

END OF TASK

REPLACE M14 NBC HOSES AND BRACKETS (M113A3 AMBULANCE ONLY)

0783 00

THIS WORK PACKAGE COVERS:

Removal (page 0783 00-1).
 Installation (page 0783 00-4).

INITIAL SETUP:

Maintenance Level

Unit

References

See your -10

Tools and Special Tools

General Mechanic's Tool Kit (WP 0926 00, Item 65)

Equipment Condition

Engine stopped (see your -10)

Carrier blocked (see your -10)

Materials/Parts

Lockwasher (21)

Ramp lowered (see your -10)

Personnel Required

Unit Mechanic

Battery ground strap disconnected (WP 0337 00)

REMOVAL

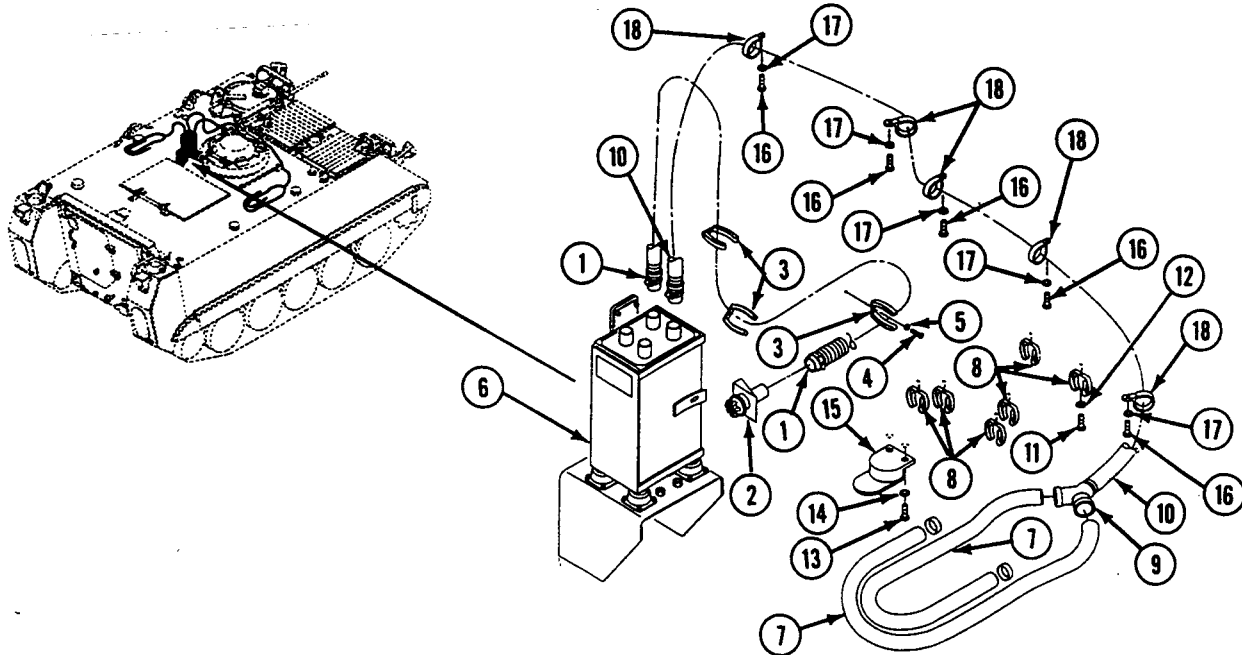
1. Remove driver's hose (1) from connector (2) and three clips (3).
2. Remove three screws (4), lockwashers (5), and clips (3) from driver's bulkhead. Discard lockwashers.
3. Loosen clamp and remove hose (1) from air purifier (6).
4. Remove two hoses (7) from six spring clips (8) and Y-connector (9) on hose assembly (10).
5. Remove six screws (11), lockwashers (12), and clips (8) from top plate. Discard lockwashers.
6. Remove two screws (13), washers (14), and bracket (15) from top plate.
7. Loosen clamp and remove hose (10) from air purifier (6)

REPLACE M14 NBC HOSES AND BRACKETS (M113A3 AMBULANCE ONLY) —

0783 00

Continued

8. Remove five screws (16), lockwashers (17), and clamps (18) from top plate. Remove clamps from hose assembly (10). Discard lockwashers.

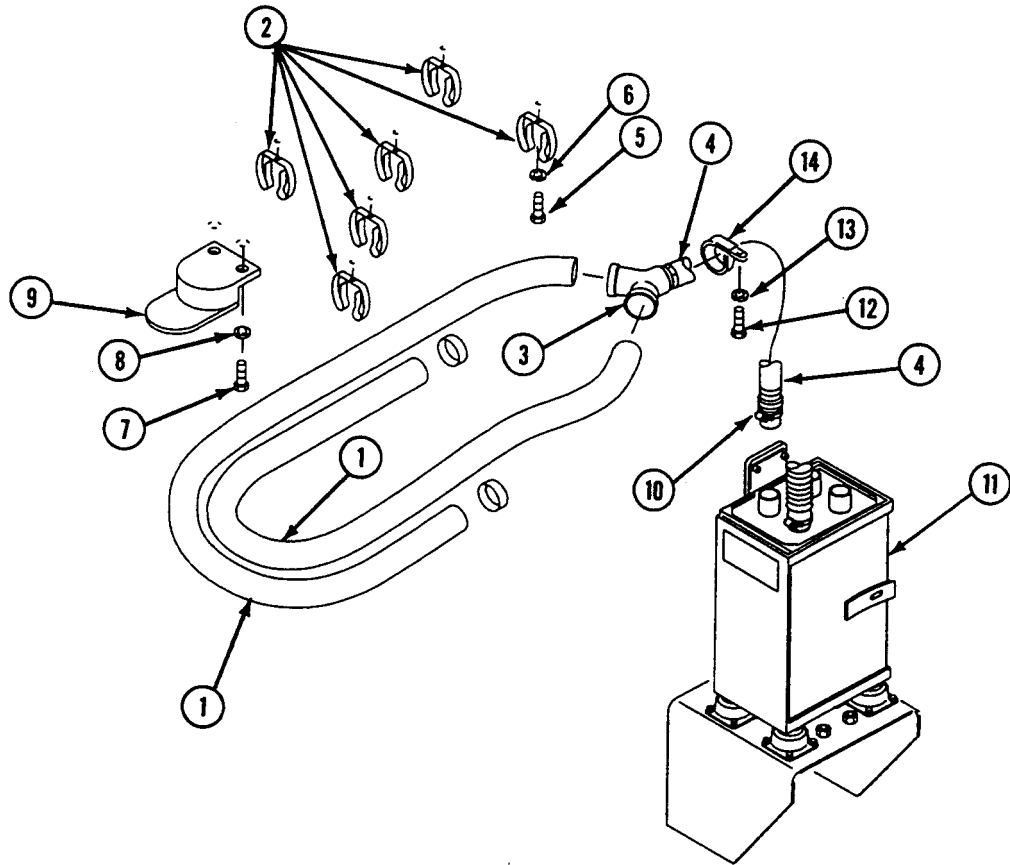


9. Remove two hoses (1) from six spring clips (2) and Y-connector (3) on hose assembly (4).
 10. Remove six screws (5), lockwashers (6), and clips (2) from top plate. Discard lockwashers.
 11. Remove two screws (7), washers (8), and bracket (9) from top plate.
 12. Loosen clamp (10) and remove hose (4) from air purifier (11).

REPLACE M14 NBC HOSES AND BRACKETS (M113A3 AMBULANCE ONLY) —
Continued

0783 00

13. Remove screw (12), lockwasher (13), and clamp (14) from top plate. Remove clamps from hose assembly (4). Discard lockwashers.

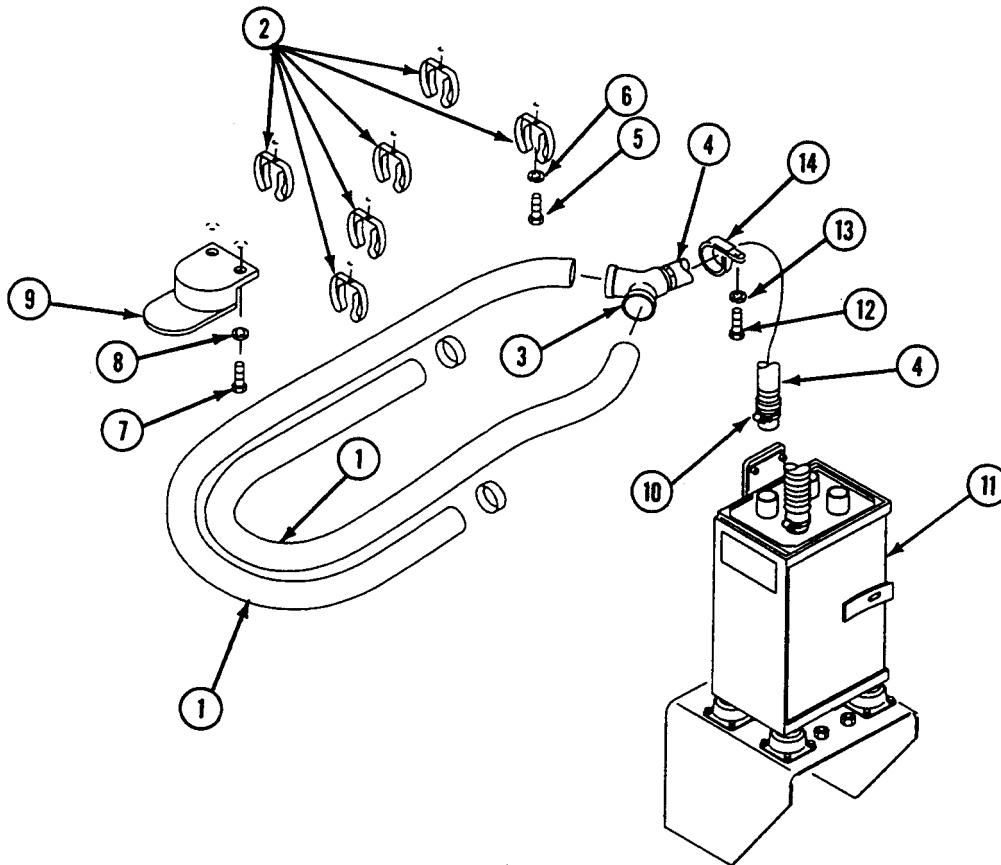


REPLACE M14 NBC HOSES AND BRACKETS (M113A3 AMBULANCE ONLY) —
Continued

0783 00

INSTALLATION

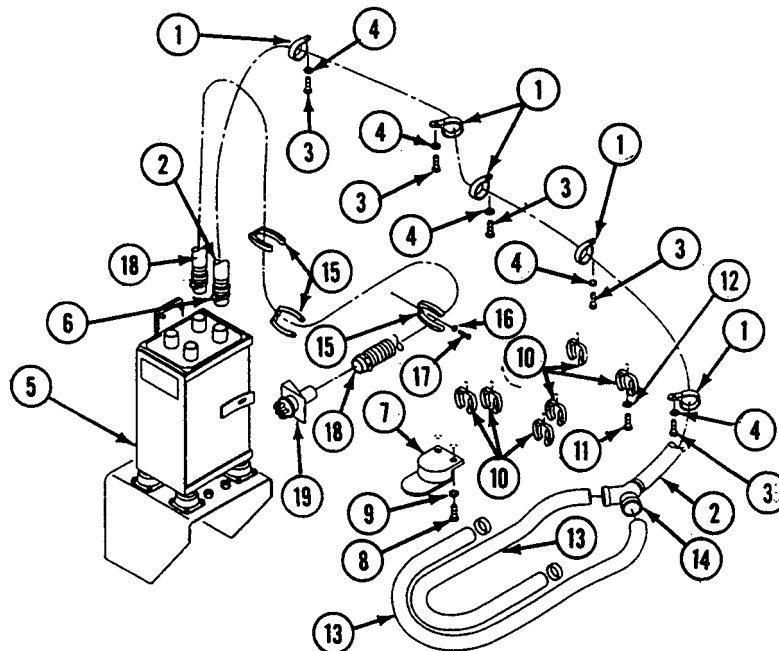
1. Install clamp (14) on hose assembly (4). Secure clamp to top plate with screw (12) and new lockwasher (13).
2. Install hose assembly (4) on air purifier (11) and tighten clamp (10) on hose (4).
3. Install bracket (9), two screws (7) and washers (8) on top plate.
4. Install six clips (2), screws (5), and new lockwashers (6) on top plate.
5. Install two hoses (1) on Y-connector (3) of hose assembly (4).
6. Route two hoses (1) around bracket (9) and insert in six clips (2).



REPLACE M14 NBC HOSES AND BRACKETS (M113A3 AMBULANCE ONLY) —
Continued

0783 00

7. Install five clamps (1) on hose assembly (2). Secure clamp to top plate with five screws (3) and new lockwashers (4).
8. Install hose assembly (2) on air purifier (5) and tighten clamp (6) on hose (2).
9. Install bracket (7), two screws (8) and washers (9) on top plate.
10. Install six clips (10), screws (11), and new lockwashers (12) on top plate.
11. Install two hoses (13) on Y-connector (14) of hose assembly (2).
12. Route two hoses (13) around bracket (7) and insert in six clips (10).
13. Install three clips (15), new lockwashers (16) and screws (17) on driver's bulkhead.
14. Install driver's hose (18) on air purifier (5), three clips (15), and connector (19).

**FOLLOW-THROUGH STEPS**

1. Connect battery ground strap (WP 0337 00).
2. Check air flow if NBC system. Follow procedures in TM 3-6680-316-10.

END OF TASK

**REPLACE M3 NBC HEATER HOSES AND FITTINGS (M113A3
AMBULANCE ONLY)**

0784 00

THIS WORK PACKAGE COVERS:

Removal (page 0784 00-1).
Installation (page 0784 00-4).

INITIAL SETUP:

Maintenance Level

Unit

Personnel Required

Unit Mechanic

Tools and Special Tools

General Mechanic's Tool Kit (WP 0926 00, Item 65)

References

See your -10
TM 3-6680-316-10

Materials/Parts

Grommet
Lockwasher (23)
Straps (as required)

Equipment Condition

Engine stopped (see your -10)
Carrier blocked (see your -10)
Battery ground strap disconnected (WP 0337 00)

REMOVAL

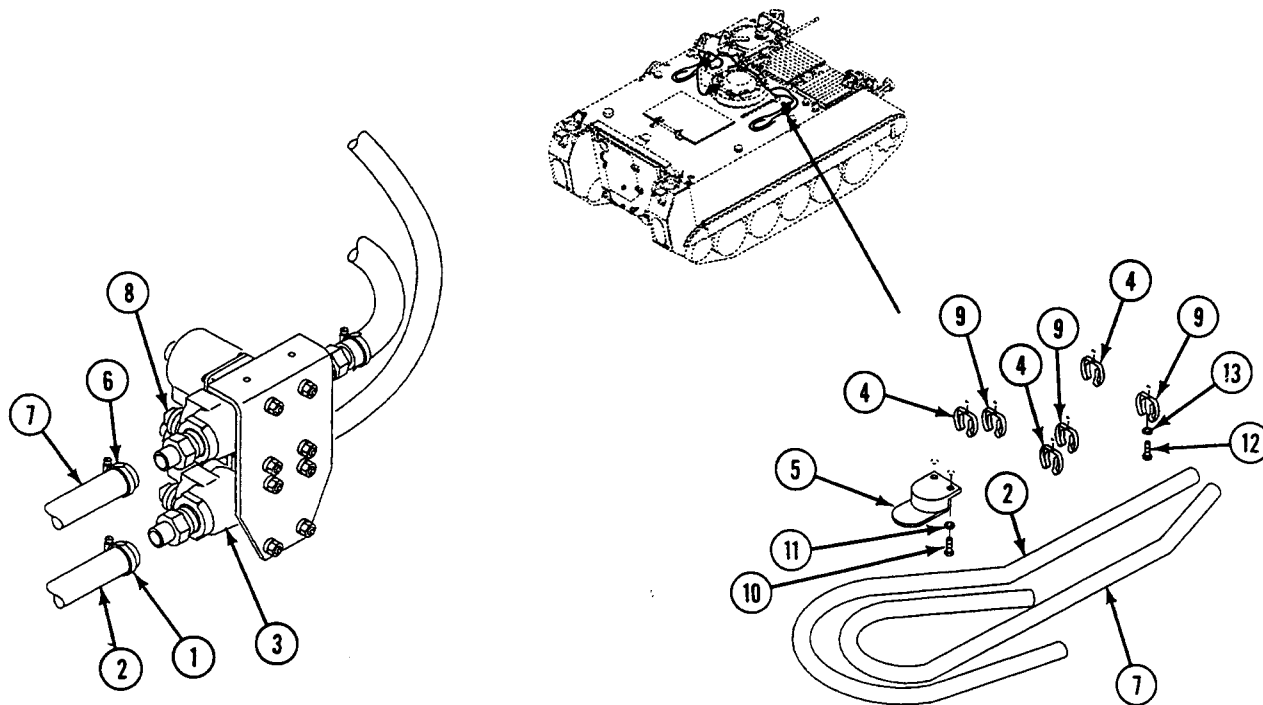
1. Loosen clamp (1) on patient's lower right outlet hose (2). Remove hose from lower right heater (3), three spring clips (4) and right bracket (5).
2. Loosen clamp (6) on patient's upper right outlet hose (7). Remove hose from upper right heater (8), three spring clips (9) and right bracket (5).
3. If right bracket (5) is damaged, remove two screws (10), lockwashers (11), and bracket from top plate. Discard lockwashers.

REPLACE M3 NBC HEATER HOSES AND FITTINGS (M113A3 AMBULANCE ONLY) —

0784 00

Continued

4. If any spring clip (4) or (9) is damaged, remove screw (12), lockwasher (13), and damaged clip from front bulkhead and top plate. Discard lockwashers.

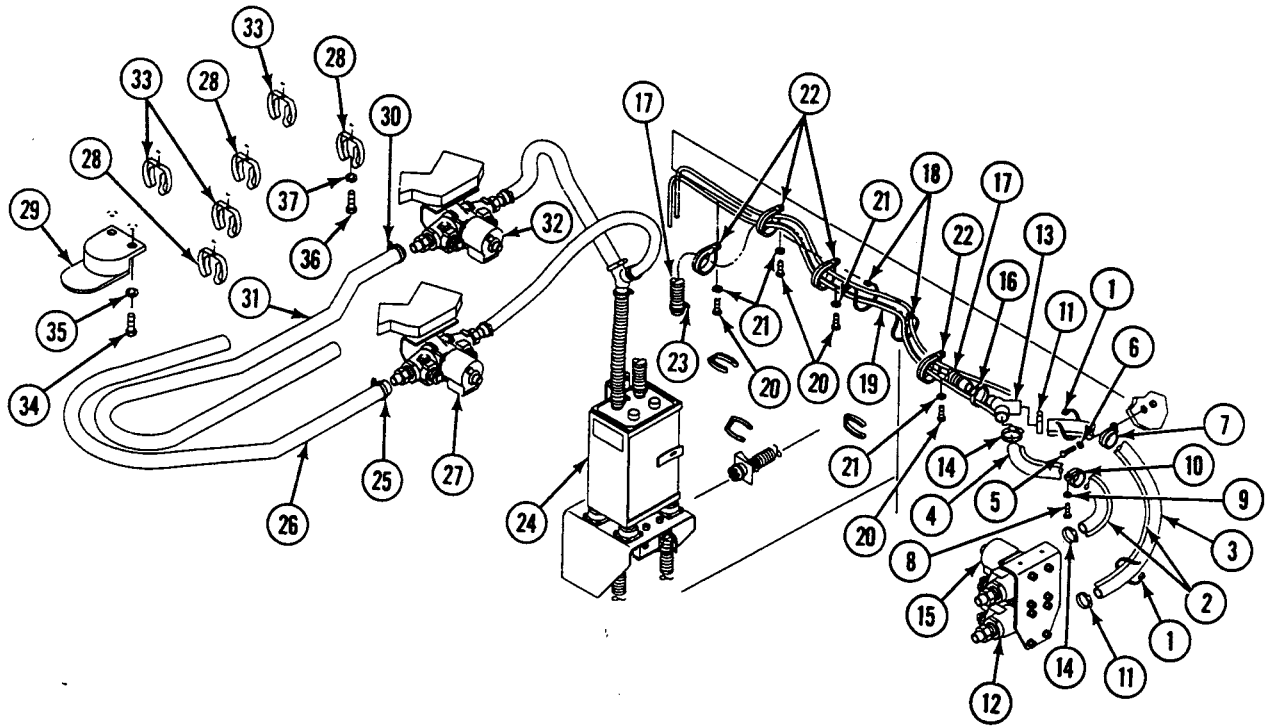


5. Cut and remove all straps (1) securing electrical leads (2) to right inlet hoses (3) and (4). Discard straps.
6. Remove screw (5), lockwasher (6), and clamp (7) from top plate. Remove clamp from patient's lower right inlet hose (3). Discard lockwasher.
7. Remove screw (8), lockwasher (9), and clamp (10) from top plate. Remove clamp from patient's upper right inlet hose (4). Discard lockwasher.
8. Loosen two clamps (11) on patient's lower right inlet hose (3). Remove hose from lower right heater (12) and Y-fitting (13).
9. Loosen two clamps (14) on patient's upper right inlet hose (4). Remove hose from upper right heater (15) and Y-fitting (13).
10. Loosen clamp (16) on right inlet hose (17). Remove hose from Y-fitting (13).
11. Cut and remove all straps (18) securing wiring harness (19) to right inlet hose (17). Discard straps.
12. Remove four screws (20), lockwashers (21), and clamps (22) from top plate. Remove clamps from right inlet hose (17). Discard lockwashers.
13. Loosen clamp (23) on right inlet hose (17). Remove hose from air purifier (24).
14. Loosen clamp (25) on patient's left rear outlet hose (26). Remove hose from left rear heater (27), three spring clips (28) and left bracket (29).
15. Loosen clamp (30) on patient's left forward outlet hose (31). Remove hose from left forward heater (32), three spring clips (33) and left bracket (29).
16. If left bracket (29) is damaged, remove two screws (34), lockwashers (35), and bracket from top plate. Discard lockwashers.

REPLACE M3 NBC HEATER HOSES AND FITTINGS (M113A3 AMBULANCE ONLY) —
Continued

0784 00

17. If any spring clip (28) or (33) is damaged, remove screw (36), lockwasher (37), and damaged clip from front bulkhead and top plate. Discard lockwashers.

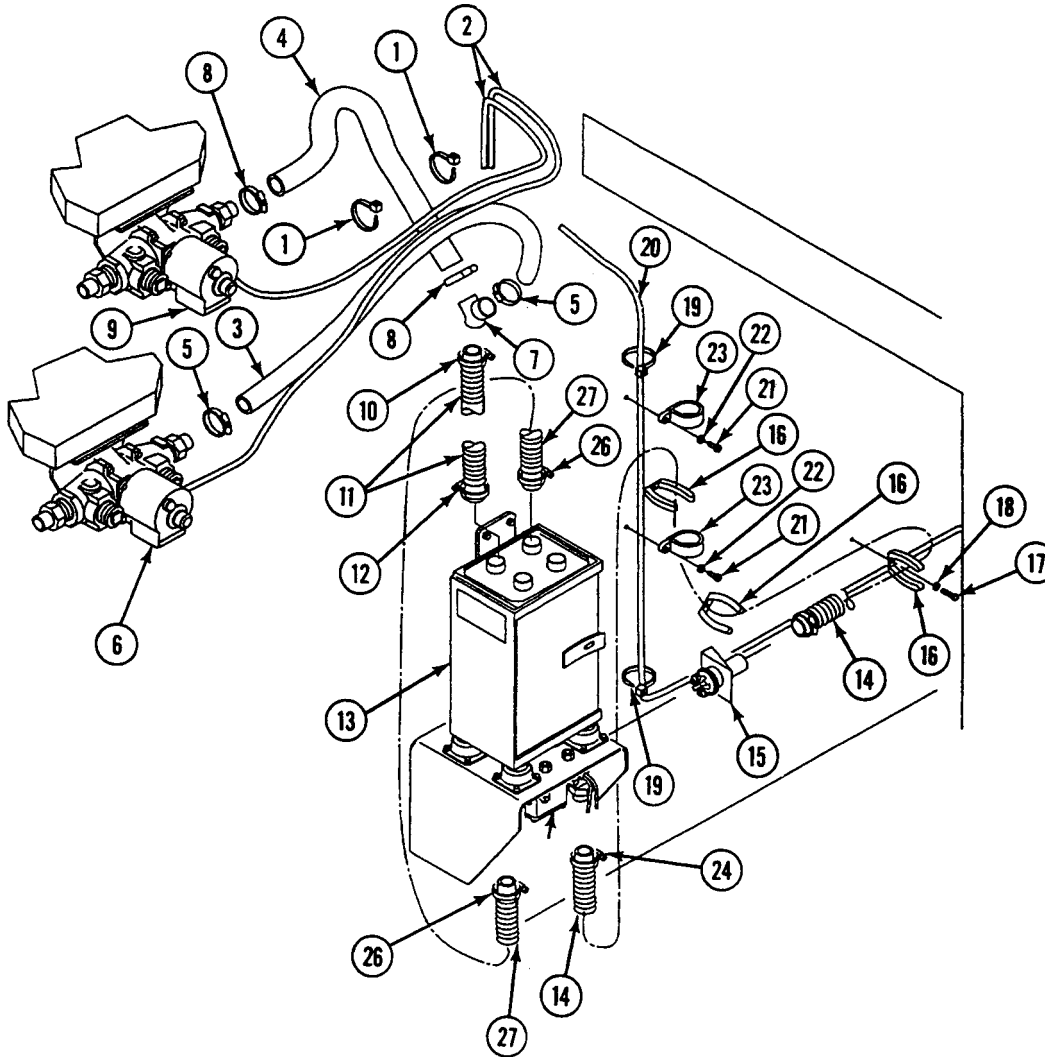


18. Cut and remove all straps (1) securing electrical leads (2) to left inlet hoses (3)(4). Discard straps.
19. Loosen two clamps (5) on patient's left rear inlet hose (3). Remove hose from left rear heater (6) and Y-fitting (7).
20. Loosen two clamps (8) on patient's left forward inlet hose (4). Remove hose from left forward heater (9) and Y-fitting (7).
21. Loosen clamp (10) on left inlet hose (11). Remove hose from Y-fitting (7).
22. Loosen clamp (12) on left inlet hose (11). Remove hose from air purifier (13).
23. Remove hose (14) from connector (15) and three spring clips (16).
24. If any spring clip (16) is damaged, remove screw (17), lockwasher (18), and damaged clip from driver's bulkhead. Discard lockwashers.
25. Cut and remove all straps (19) securing electrical leads (20) to outlet hose (14). Discard straps.
26. Remove two screws (21), lockwashers (22), and clamps (23) from bulkhead. Remove clamps from outlet hose (14). Discard lockwashers.
27. Loosen clamp (24) on outlet hose (14). Remove hose from heater (25).

REPLACE M3 NBC HEATER HOSES AND FITTINGS (M113A3 AMBULANCE ONLY) —
Continued

0784 00

28. Loosen two clamps (26) on inlet hose (27). Remove hose from heater (25) and air purifier (13).



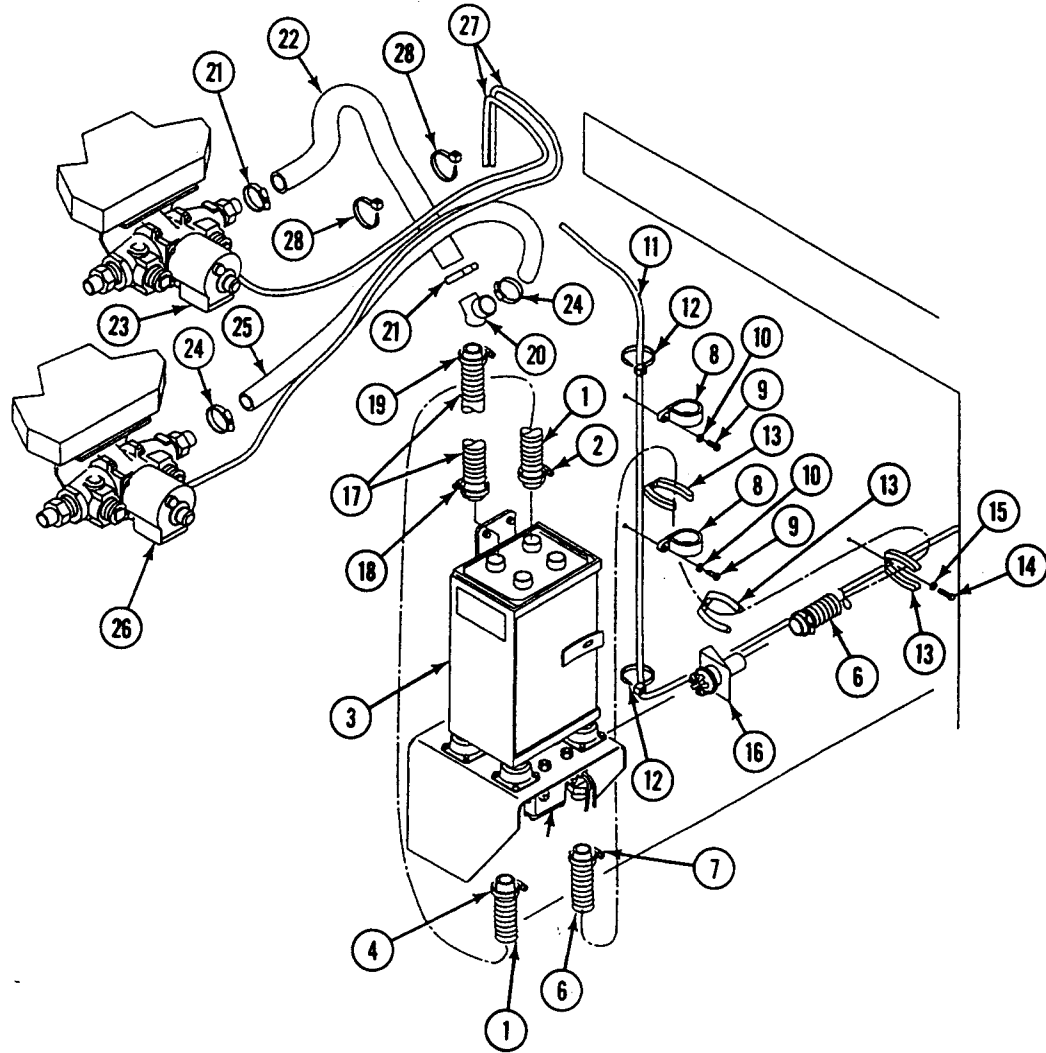
INSTALLATION

1. Install inlet hose (1) and clamp (2) on air purifier (3). Tighten clamp.
2. Install inlet hose (1) and clamp (4) on heater (5). Tighten clamp.
3. Install outlet hose (6) and clamp (7) on heater (5). Tighten clamp.
4. Install two clamps (8) on outlet hose (6). Secure clamps to bulkhead with two screws (9) and new lockwashers (10).
5. Secure electrical leads (11) to outlet hose (6) with new straps (12) as required.
6. If removed, install spring clips (13) on driver's bulkhead with screws (14) and new lockwashers (15).
7. Install outlet hose (6) in three spring clips (13) on driver's bulkhead.
8. Install outlet hose (6) on connector (16).
9. Install inlet hose (17) and clamp (18) on air purifier (3). Tighten clamp.

REPLACE M3 NBC HEATER HOSES AND FITTINGS (M113A3 AMBULANCE ONLY) —
Continued

0784 00

10. Install inlet hose (17) and clamp (19) on Y-fitting (20). Tighten clamp.
11. Install two clamps (21) and patient's left forward inlet hose (22) on Y-fitting (20) and left forward heater (23). Tighten clamps.
12. Install two clamps (24) and patient's left rear inlet hose (25) on Y-fitting (20) and left rear heater (26). Tighten clamps.
13. Secure wiring harness (27) to inlet hoses (22) and (25) with new straps (28) as required.



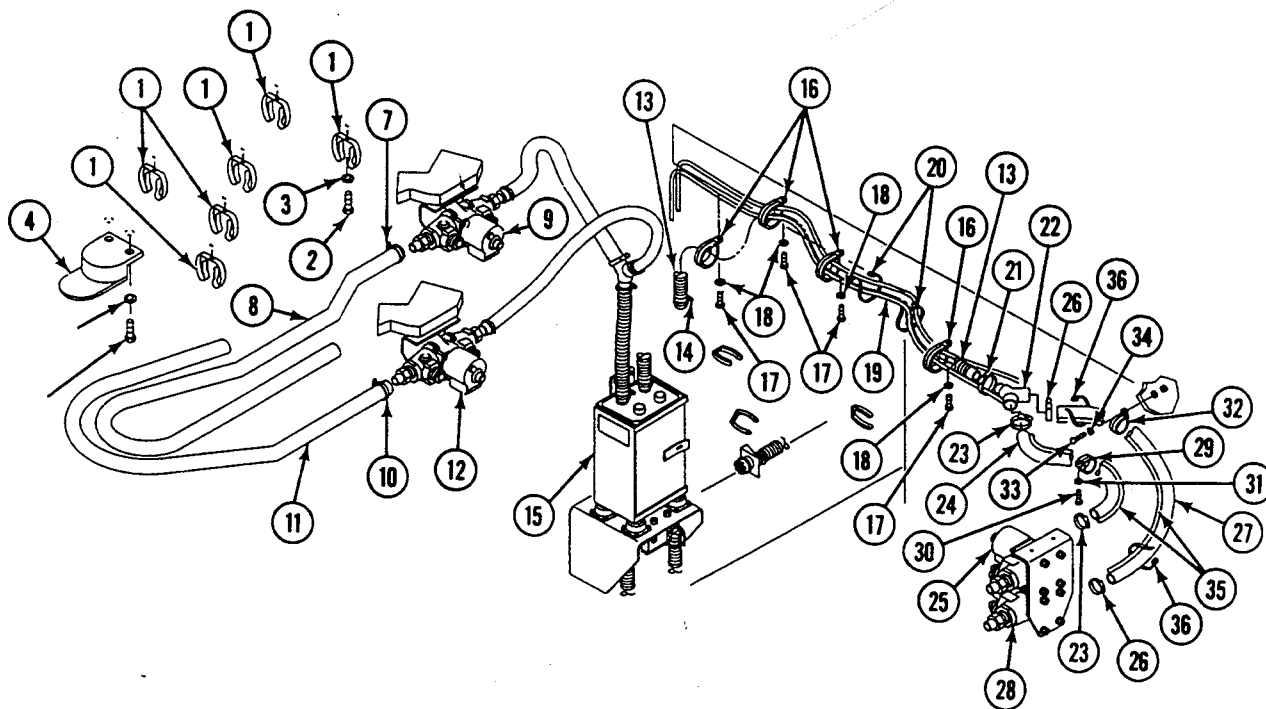
14. If removed, install spring clips (1) on top plate with screws (2) and new lockwashers (3).
15. If removed, install left bracket (4) on top plate with two screws (5) and new lockwashers (6).
16. Install clamp (7) and patient's left forward outlet hose (8) on left forward heater (9), three spring clips (1) and left bracket (4). Tighten clamp.
17. Install clamp (10) and patient's left rear outlet hose (11) on left rear heater (12), three spring clips (1) and left bracket (4). Tighten clamp.
18. Install patients right inlet hose (13) and clamp (14) on air purifier (15). Tighten clamp.

REPLACE M3 NBC HEATER HOSES AND FITTINGS (M113A3 AMBULANCE ONLY) —

0784 00

Continued

19. Install four clamps (16) on patient's right inlet hose (13). Secure clamps to top plate with four screws (17) and new lockwashers (18).
20. Secure wiring harness (19) to right inlet hose (13) with new straps (20) as required.
21. Install right inlet hose (13) and clamp (21) on Y-fitting (22). Tighten clamp.
22. Install two clamps (23) and patient's upper right inlet hose (24) on Y-fitting (22) and upper right heater (25). Tighten clamps.
23. Install two clamps (26) and patient's lower right inlet hose (27) on Y-fitting (22) and lower right heater (28). Tighten clamps.
24. Install clamp (29) on patient's upper right inlet hose (24). Secure clamp to top plate with screw (30) and new lockwasher (31).
25. Install clamp (32) on patient's lower right inlet hose (27). Secure clamp to top plate with screw (33) and new lockwasher (34).
26. Secure electrical leads (35) to inlet hoses (24) and (27) with new straps (36) as required.

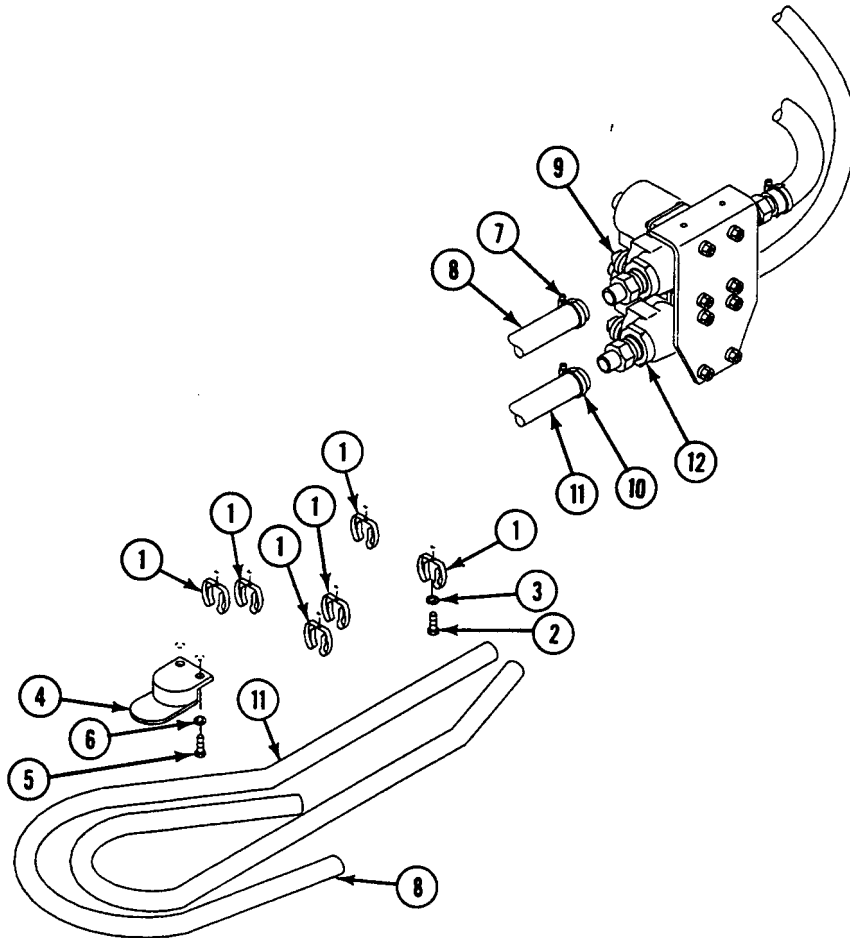


27. If removed, install spring clips (1) on top plate with screws (2) and new lockwashers (3).
28. If removed, install right bracket (4) on top plate with two screws (5) and new lockwashers (6).
29. Install clamp (7) and patient's upper right outlet hose (8) on upper right heater (9), three spring clips (1), and right bracket (4). Tighten clamp.

**REPLACE M3 NBC HEATER HOSES AND FITTINGS (M113A3 AMBULANCE ONLY) —
Continued**

0784 00

30. Install clamp (10) and patient's lower right outlet hose (11) on lower right heater (12), three spring clips (1), and right bracket (4). Tighten clamp.



FOLLOW-THROUGH STEPS

1. Connect battery ground strap (WP 0337 00).
2. Start engine (see your -10).
3. Raise and lock ramp (see your -10).
4. Stop engine (see your -10).
5. Check air flow of NBC system. Follow procedures in TM 3-6680-316-10.

END OF TASK

REPLACE M8A3 NBC HOSES AND BRACKETS (M577A3 ONLY)

0785 00

THIS WORK PACKAGE COVERS:

Removal (page 0785 00-1).
 Installation (page 0785 00-2).

INITIAL SETUP:

Maintenance Level

Unit

Tools and Special Tools

General Mechanic's Tool Kit (WP 0926 00, Item 65)

Materials/Parts

Lockwasher (6)

Locknut (6)

Personnel Required

Unit Mechanic

References

See your -10
 see TM 3-6680-316-10

Equipment Condition

Engine stopped (see your -10)
 Carrier blocked (see your -10)
 Ramp lowered (see your -10)

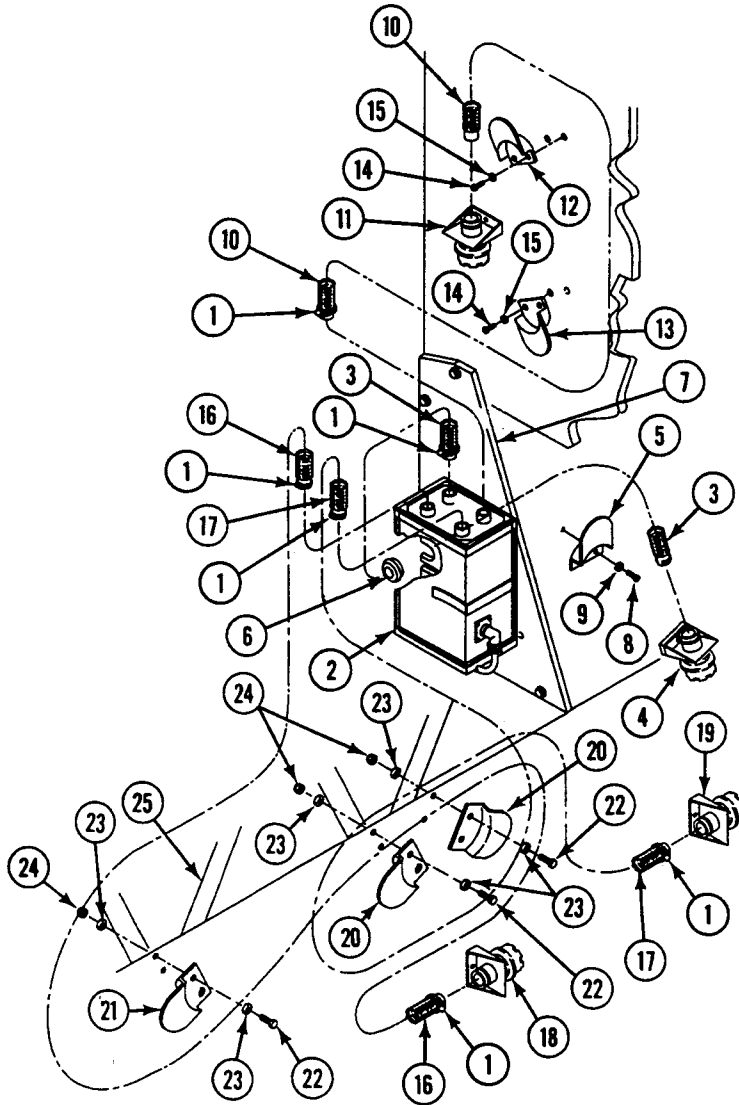
REMOVAL

NOTE

Hose location may vary on air purifier.

1. Loosen clamp (1) at air purifier (2) and remove driver's station hose (3) from connector (4), bracket (5), and air purifier.
2. Push hose (3) with grommet (6) through frame (7). If damaged, remove grommet.
3. Remove two screws (8), lockwashers (9), and bracket (5) from driver's bulkhead. Discard lockwashers.
4. Loosen clamp (1) at air purifier (2), and remove commander's station hose (10) from connector (11), bracket (12), bracket (13), and air purifier (2).
5. Remove four screws (14), lockwasher (15), bracket (12), and bracket (13) from forward compartment bulkhead. Discard lockwashers.
6. Loosen clamps (1) at air purifier (2), and remove two crew hoses (16) and (17) from connectors (18) and (19), two brackets (20), and bracket (21).

7. Remove six screws (22), 12 washers (23), six locknuts (24), two brackets (20), and bracket (21) from table supports (25). Discard locknuts.



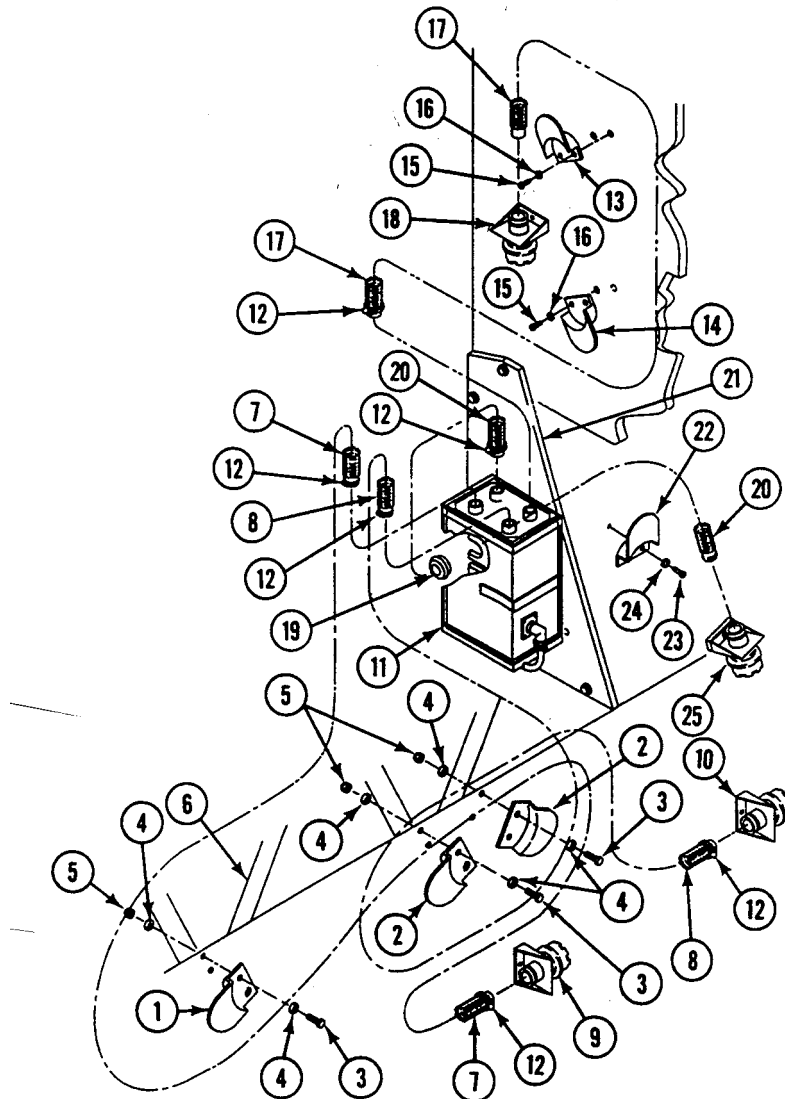
INSTALLATION

NOTE

Hose location may vary on air purifier.

1. Install bracket (1), two brackets (2), six screws (3), 12 washers (4), and six new locknuts (5) on table supports (6).
2. Install two crew hoses (7)(8) on connectors (9)(10).
3. Route hose (7) over bracket (2) and under bracket (1), and install in air purifier (11). Tighten clamp (12).
4. Route hose (8) over bracket (2) and under bracket (1), and install in air purifier (11). Tighten clamp (12).
5. Install bracket (13), bracket (14), four screws (15), and new lockwashers (16) on forward compartment bulkhead.

6. Install commander's station hose (17) on connector (18).
7. Install commander's station hose (17) over and under brackets (13)(14) and install in air purifier (11). Tighten clamp (12).
8. If removed, install new grommet (19) on driver's station hose (20). Route hose through frame (21).
9. Install driver's station hose (20) on air purifier (11) and tighten clamp (12).
10. Install bracket (22), two screws (23), and new lockwashers (24) on driver's bulkhead.
11. Loop hose (20) over bracket (22) and install on connector (25).



FOLLOW-THROUGH STEPS

1. Start engine (see your -10).
2. Raise and lock ramp (see your -10).
3. Stop engine (see your -10).
4. Check air flow of NBC systems. Follow procedures in TM 3-6680-316-10.

END OF TASK

REPLACE M13 NBC FILTERS AND HOSES (M577A3 ONLY)

0786 00

THIS WORK PACKAGE COVERS:

Removal (page 0786 00-1).
 Installation (page 0786 00-8).

INITIAL SETUP:

Maintenance Level

Unit

Personnel Required

Unit Mechanic

Tools and Special Tools

General Mechanic's Tool Kit (WP 0926 00, Item 65)

References

See your -10
 see TM 3-6680-316-10

Materials/Parts

Locknut (2)
 Lockwasher (3)
 Strap (as required)

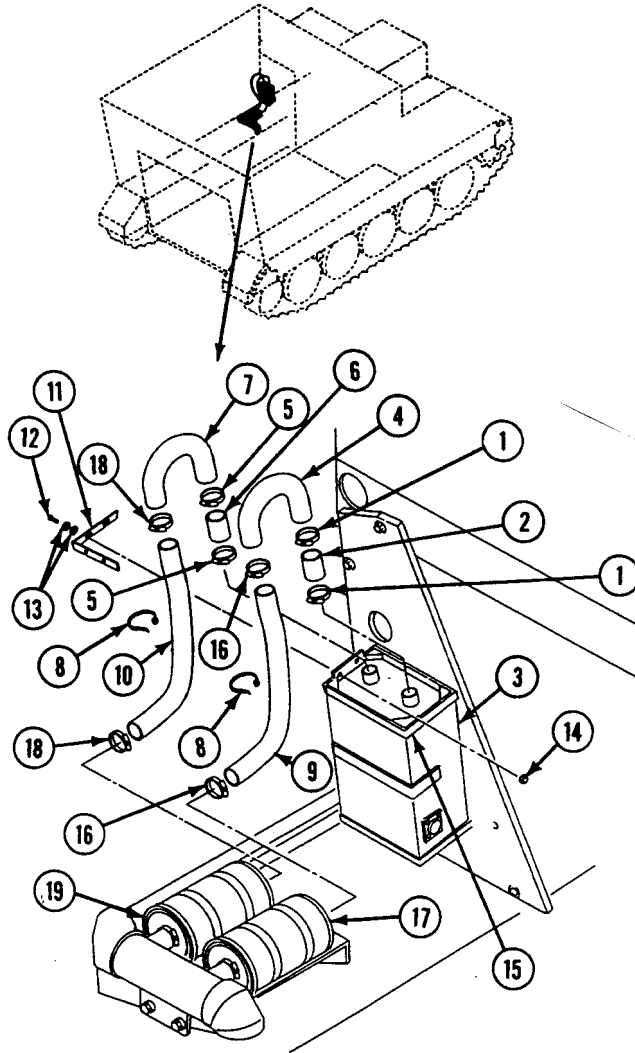
Equipment Condition

Engine stopped (see your -10)
 Carrier blocked (see your -10)
 Battery ground lead disconnected (WP 0338 00)

REMOVAL

1. Loosen two clamps (1) and remove hose (2) from precleaner (3) and tube (4).
2. Loosen two clamps (5) and remove hose (6) from precleaner (3) and tube (7).
3. Cut straps (8) that secure hoses (9) and (10) to bracket (11). Discard straps.
4. If bracket (11) is damaged, remove two screws (12), four washers (13), two locknuts (14) and bracket from frame (15). Discard locknuts.
5. Loosen two clamps (16) and remove hose (9) from tube (4) and filter (17).

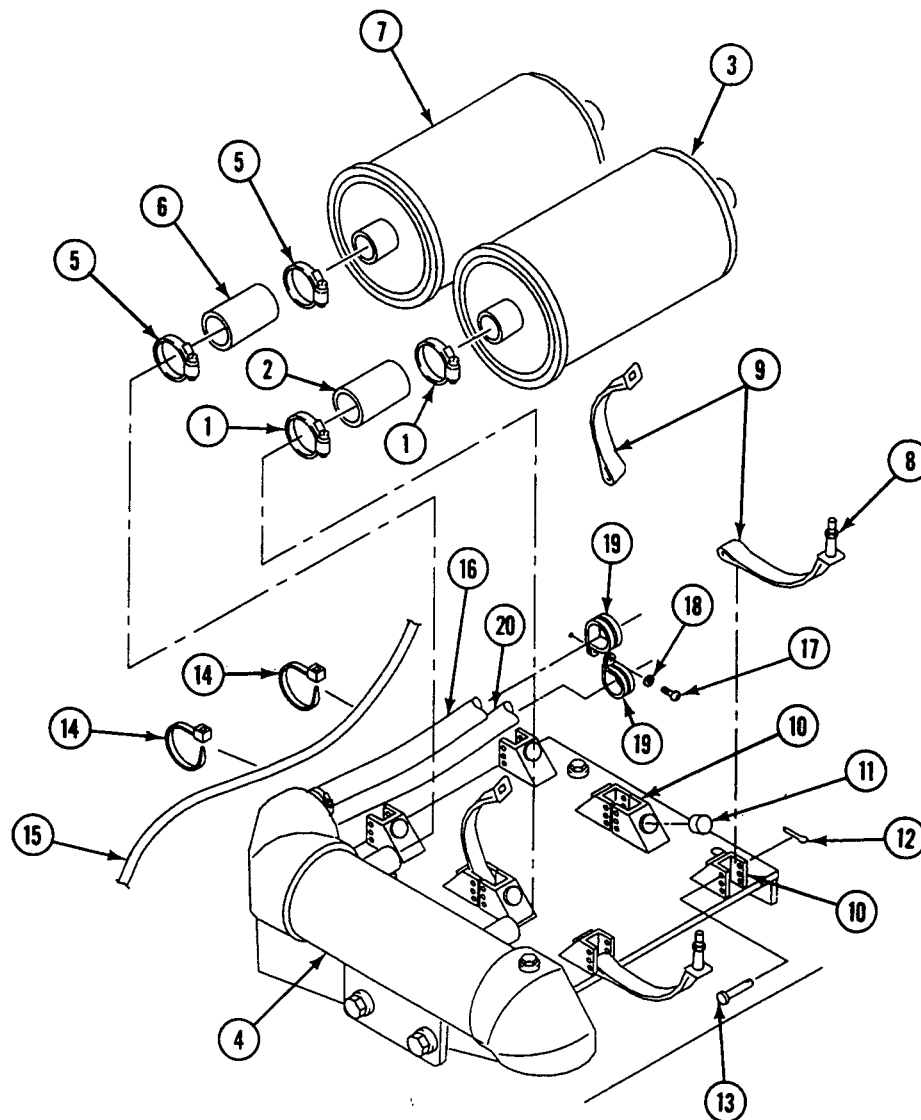
6. Loosen two clamps (18) and remove hose (10) from tube (7) and filter (19).



REPLACE M13 NBC FILTERS AND HOSES (M577A3 ONLY) — Continued

0786 00

7. Loosen two clamps (1) and remove hose (2) from filter (3) and manifold (4).
8. Loosen two clamps (5) and remove hose (6) from filter (7) and manifold (4).
9. Loosen four nuts (8), open four clamps (9), and remove filters (3) and (7) from bracket (10).
10. If damaged, remove rubber bumpers (11) from bracket (10) as required. Discard rubber bumpers.
11. If any cotter pin (12) is damaged, remove cotter pin, straight pin (13), and clamps (9) from bracket (10) as required. Discard cotter pin.
12. Cut straps (14) that secure wiring harness (15) to hose (16) and manifold (4). Discard straps.
13. Remove screw (17), lockwasher (18), and two clamps (19) from side bulkhead. Remove clamps from hoses (16) and (20). Discard lockwasher.

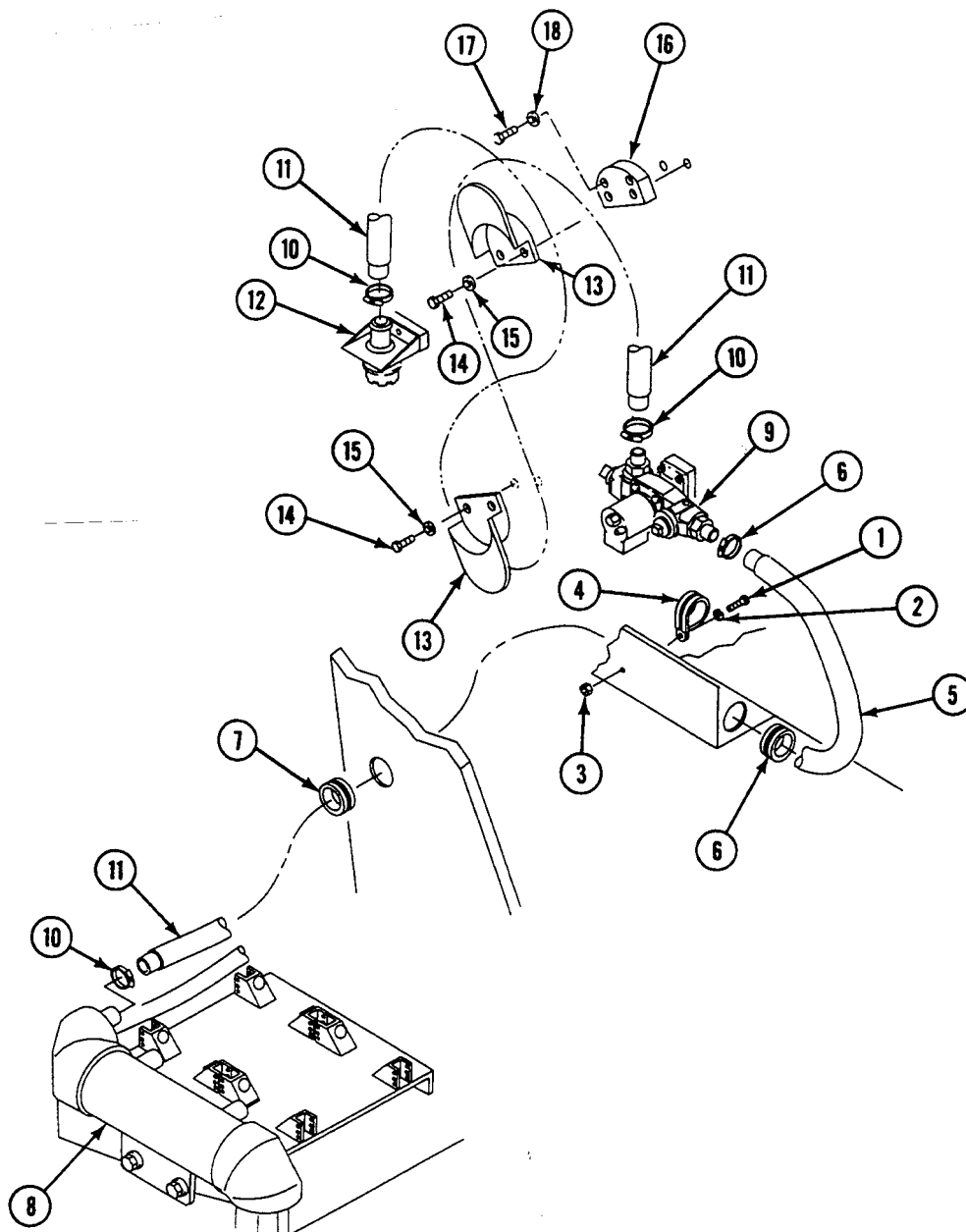


14. Remove two screws (1), lockwashers (2), nuts (3) and clamps (4) from upper bulkhead. Remove clamps from hose (5). Discard lockwashers.

REPLACE M13 NBC FILTERS AND HOSES (M577A3 ONLY) — Continued

0786 00

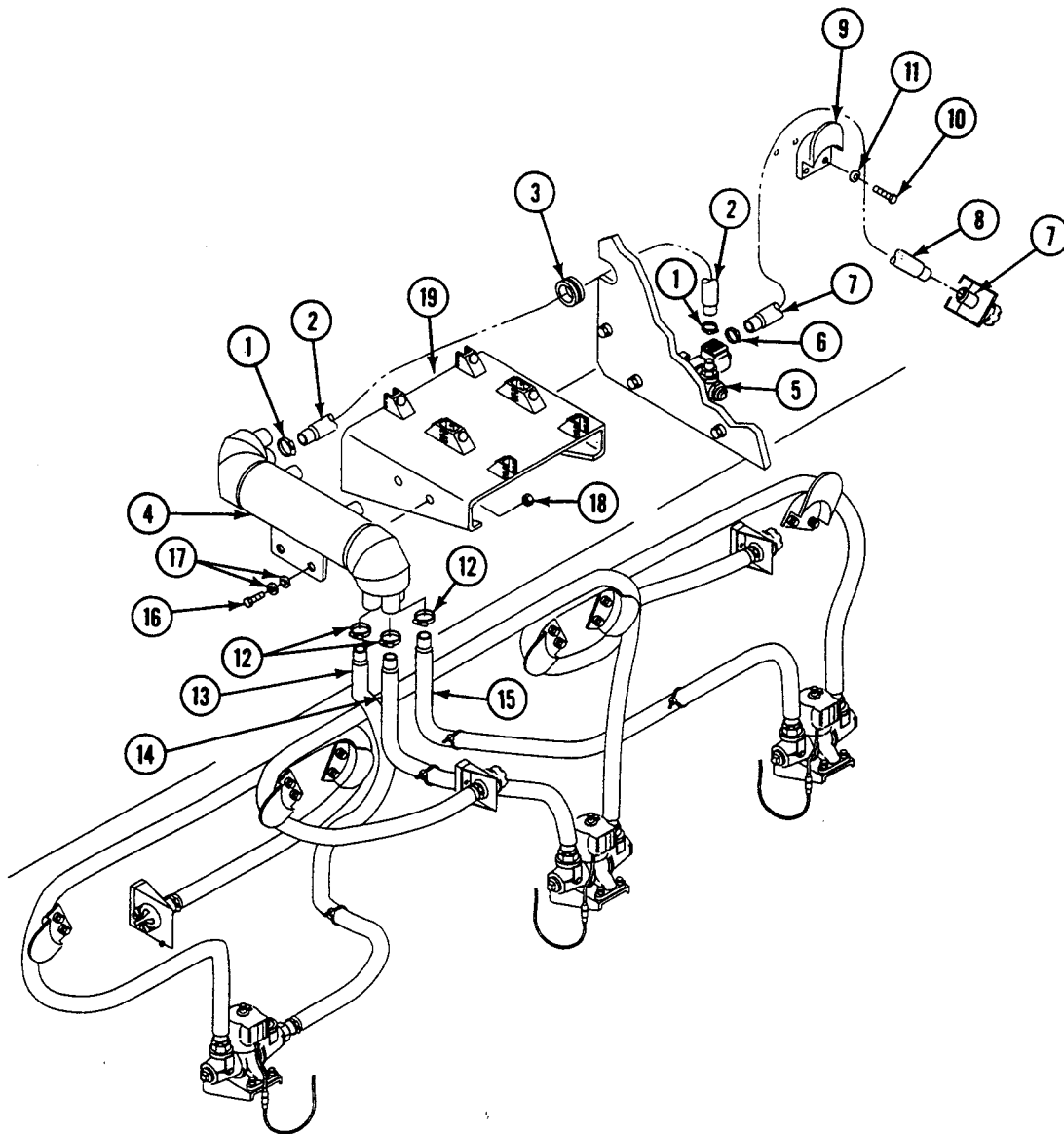
15. Loosen two clamps (6) and remove hose (5) with two grommets (7) from manifold (8) and commander's heater (9).
16. If damaged, remove grommets (7) from hose (5), as required. Discard grommets.
17. Loosen two clamps (10) and remove hose (11) from commander's heater (9) and connector (12).
18. If either bracket (13) is damaged, remove two screws (14), lockwashers (15) and bracket from front bulkhead or spacer (16), as required. Discard lockwashers.
19. If spacer (16) is damaged, remove two screws (14), lockwashers (15), and bracket (13) from spacer, then remove two screws (17), lockwashers (18), and spacer from front bulkhead, as required. Discard lockwashers.



REPLACE M13 NBC FILTERS AND HOSES (M577A3 ONLY) — Continued

0786 00

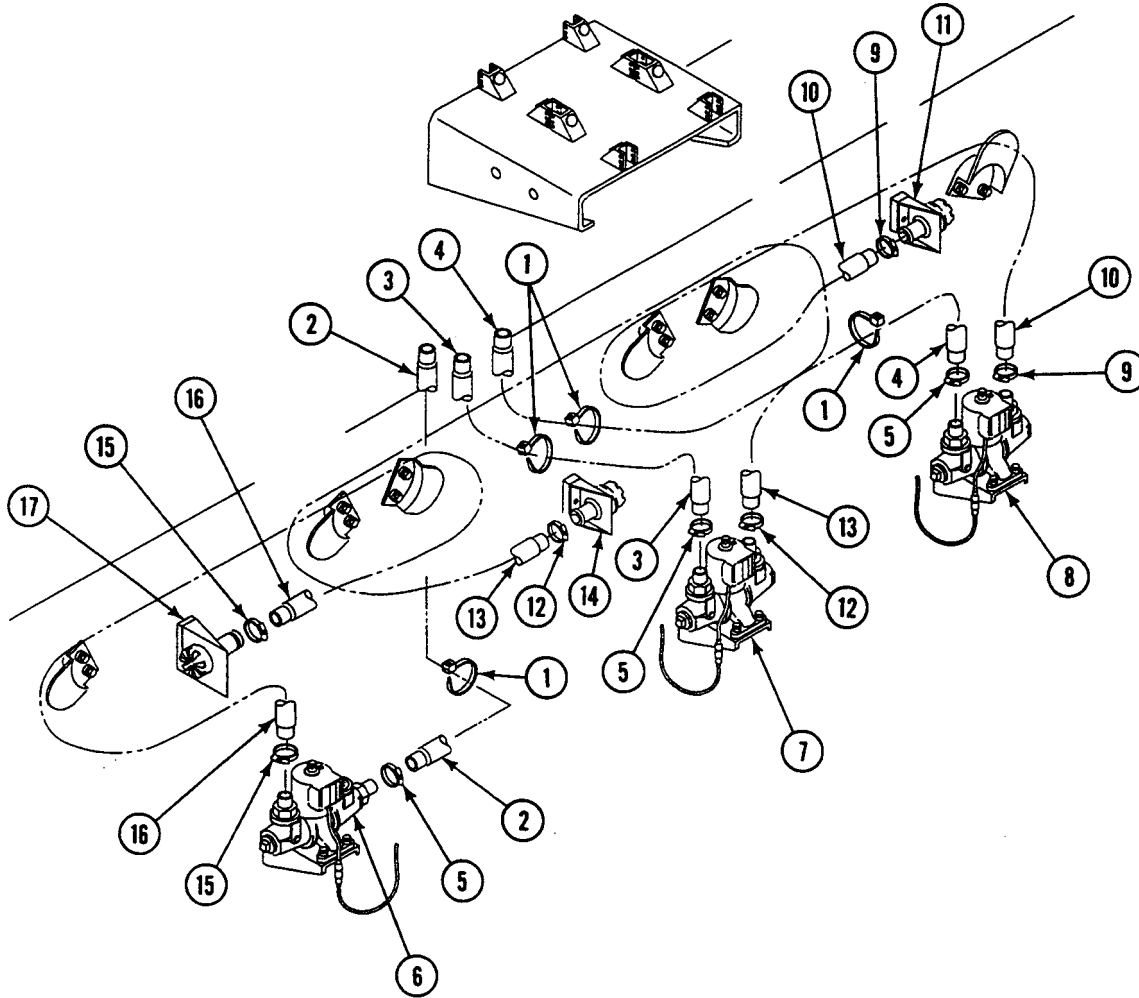
20. Loosen two clamps (1) and remove hose (2) with grommet (3) from manifold (4) and driver's heater (5).
21. If damaged, remove grommet (3) from hose (2). Discard grommet.
22. Loosen clamp (6) and remove hose (7) from driver's heater (5) and pull off connector (8).
23. If bracket (9) is damaged, remove two screws (10), washers (11), and bracket from front bulkhead.
24. Loosen three clamps (12) and remove three hoses (13)(14)(15) from manifold (4).
25. Remove two screws (16), four washers (17), two locknuts (18), and manifold (4) from bracket (19). Discard locknuts.



REPLACE M13 NBC FILTERS AND HOSES (M577A3 ONLY) — Continued

0786 00

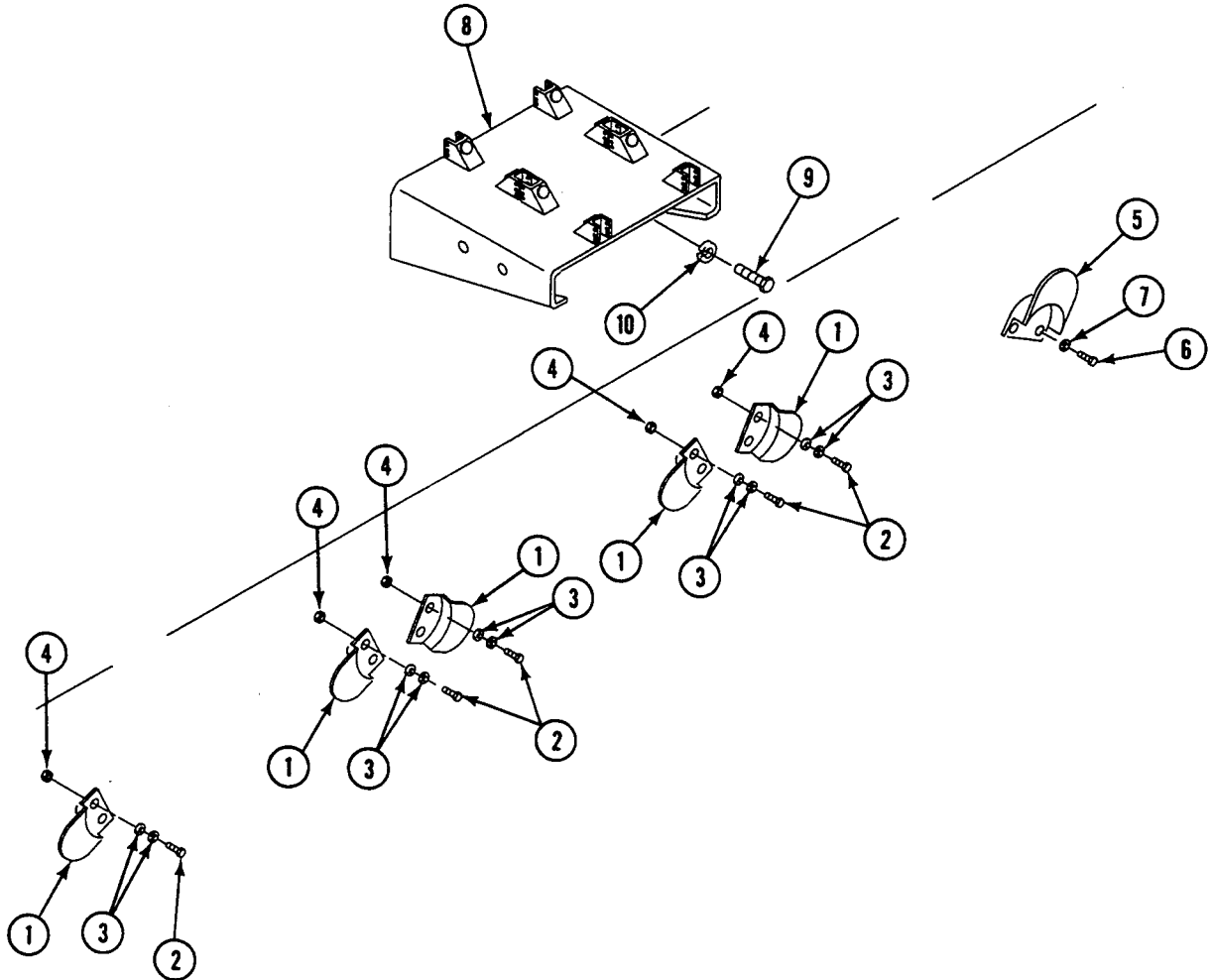
26. Cut straps (1) that secure wiring harness to hoses (2)(3)(4). Discard straps.
27. Loosen three clamps (5) and remove three hoses (2)(3)(4) from three heaters (6)(7)(8) respectively.
28. Loosen two clamps (9) and remove hose (10) from heater (8) and connector (11).
29. Loosen two clamps (12) and remove hose (13) from heater (7) and connector (14).
30. Loosen two clamps (15) and remove hose (16) from heater (6) and connector (17).



REPLACE M13 NBC FILTERS AND HOSES (M577A3 ONLY) — Continued

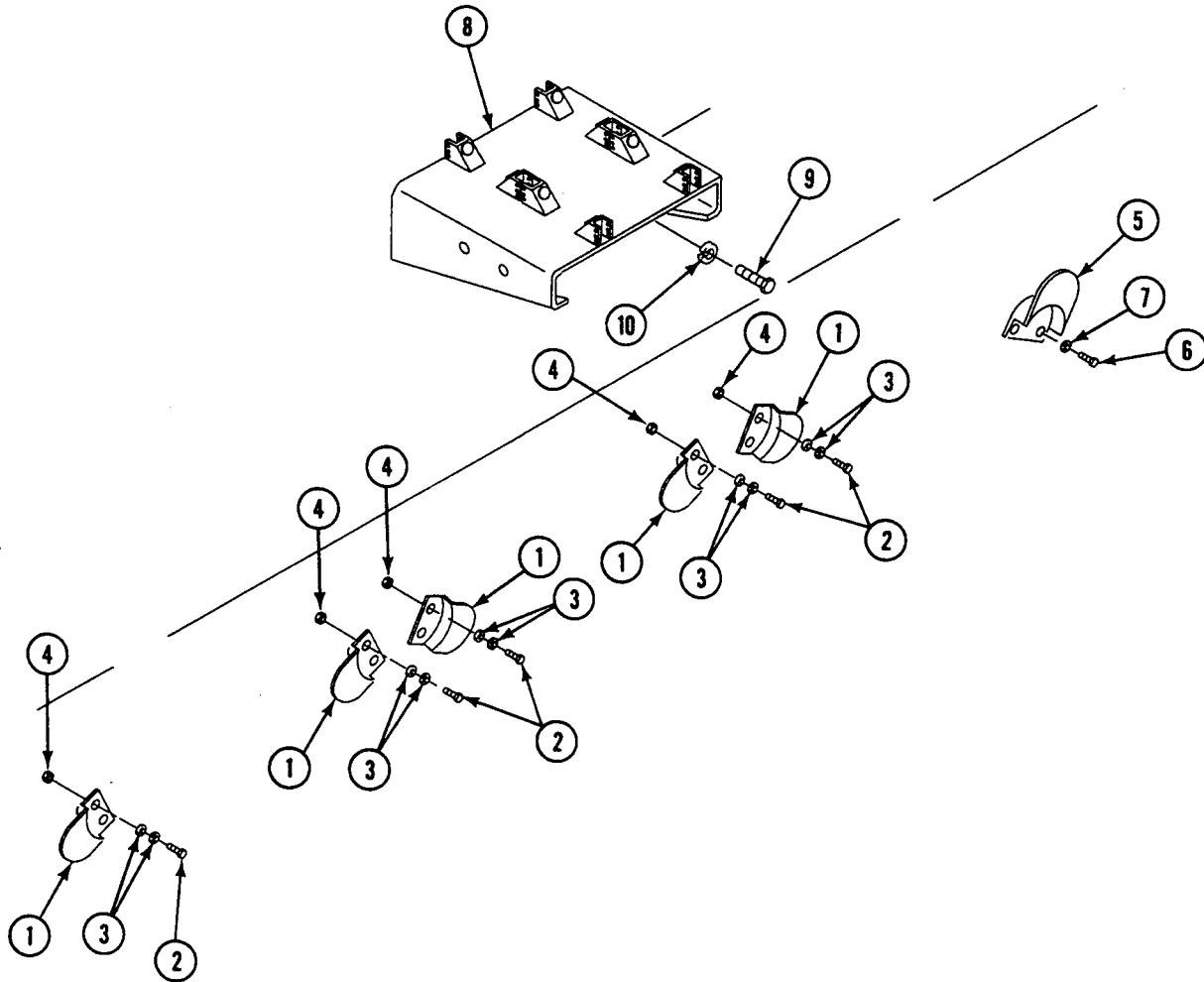
0786 00

31. If any of five brackets (1) are damaged, remove two screws (2), four washers (3), and two locknuts (4) and bracket from table support. Discard locknuts.
32. If bracket (5) is damaged, remove two screws (6), washers (7), and bracket from sponson.
33. If bracket (8) is damaged, remove four screws (9), lockwashers (10), and bracket from bulkhead. Discard lockwashers.



INSTALLATION

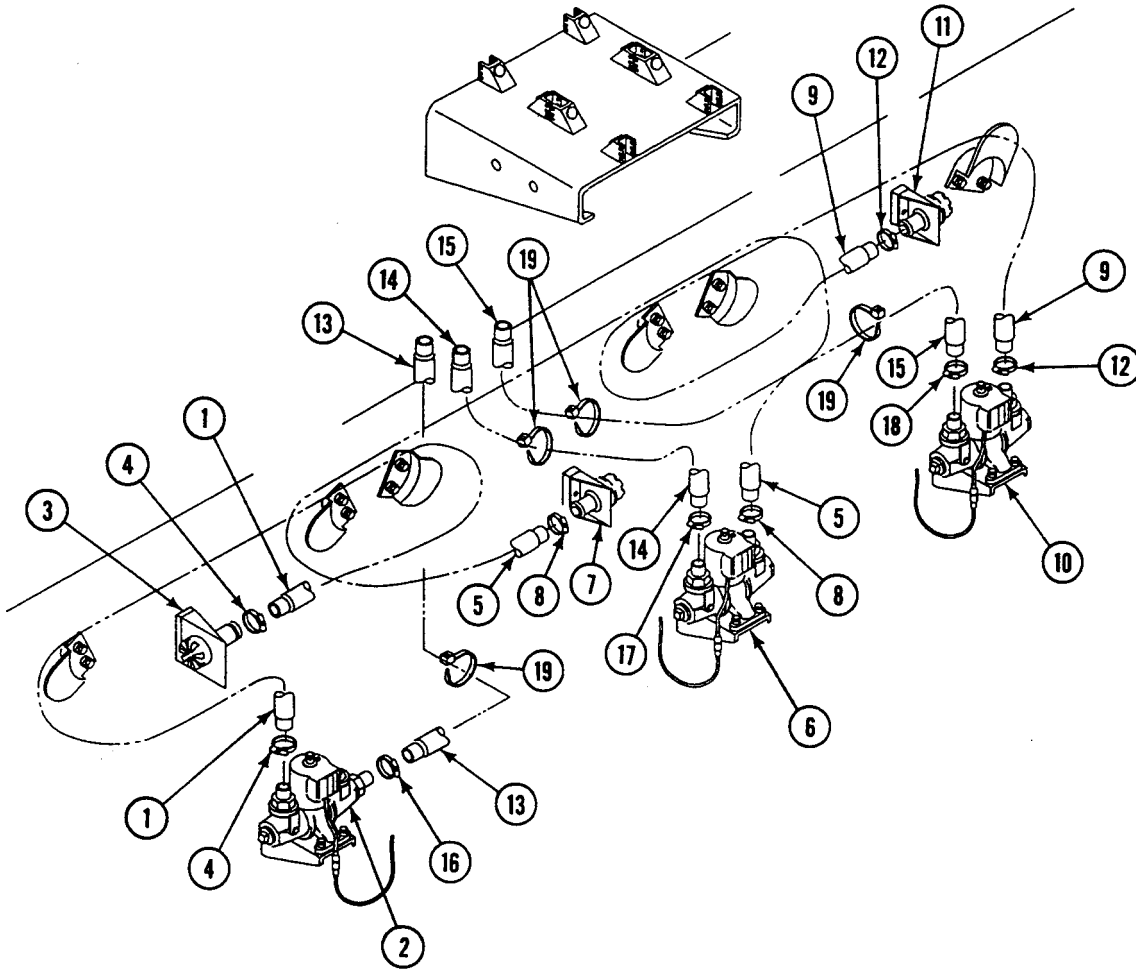
1. If bracket (8) was removed, install on bulkhead with four screws (9) and new lockwashers (10).
2. If bracket (5) was removed, install on sponson with two screws (6) and washers (7).
3. If any of five brackets (1) were removed, install on table support with two screws (2), four washers (3), and two new locknuts (4).



REPLACE M13 NBC FILTERS AND HOSES (M577A3 ONLY) — Continued

0786 00

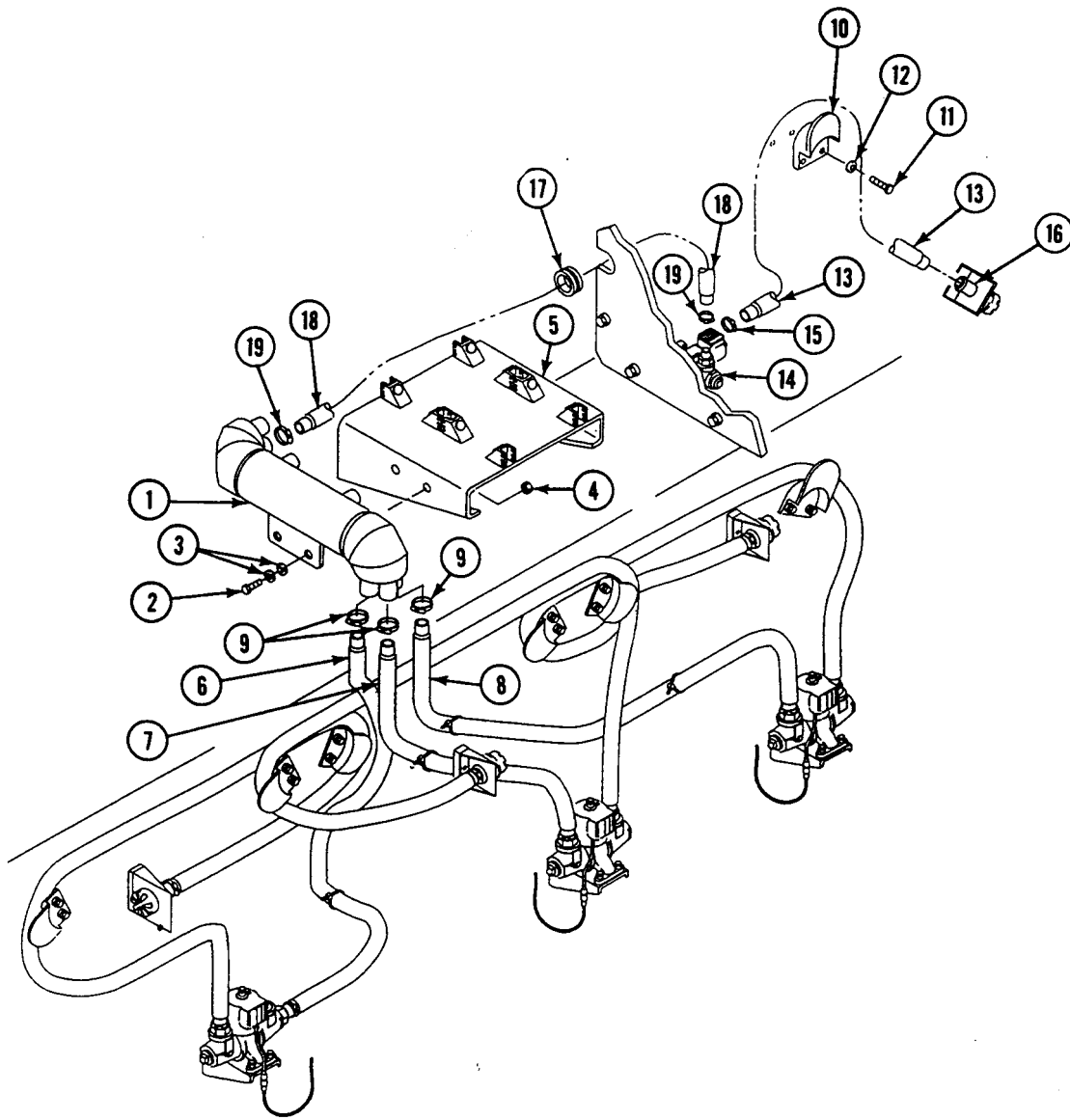
4. Install hose (1) on heater (2) and connector (3) and tighten two clamps (4).
5. Install hose (5) and on heater (6) and connector (7) and tighten two clamps (8).
6. Install hose (9) on heater (10) and connector (11) and tighten two clamps (12).
7. Install three hoses (13)(14)(15) on heaters (2)(6)(10) and tighten three clamps (16)(17)(18), respectively.
8. Secure wiring harness to three hoses (13)(14)(15) with new straps (19).



REPLACE M13 NBC FILTERS AND HOSES (M577A3 ONLY) — Continued

0786 00

9. Install manifold (1), two screws (2), four washers (3), and two new locknuts (4) on bracket (5).
10. Install three hoses (6)(7)(8) on manifold (1) and tighten three clamps (9).
11. If bracket (10) was removed, install on front bulkhead with two screws (11) and washers (12).
12. Install hose (13) on driver's heater (14), and tighten clamp (15), then push on connector (16).
13. If removed, install new grommet (17) on hose (18).
14. Install hose (18) and grommet (17) on manifold (1) and driver's heater (14) and tighten two clamps (19).

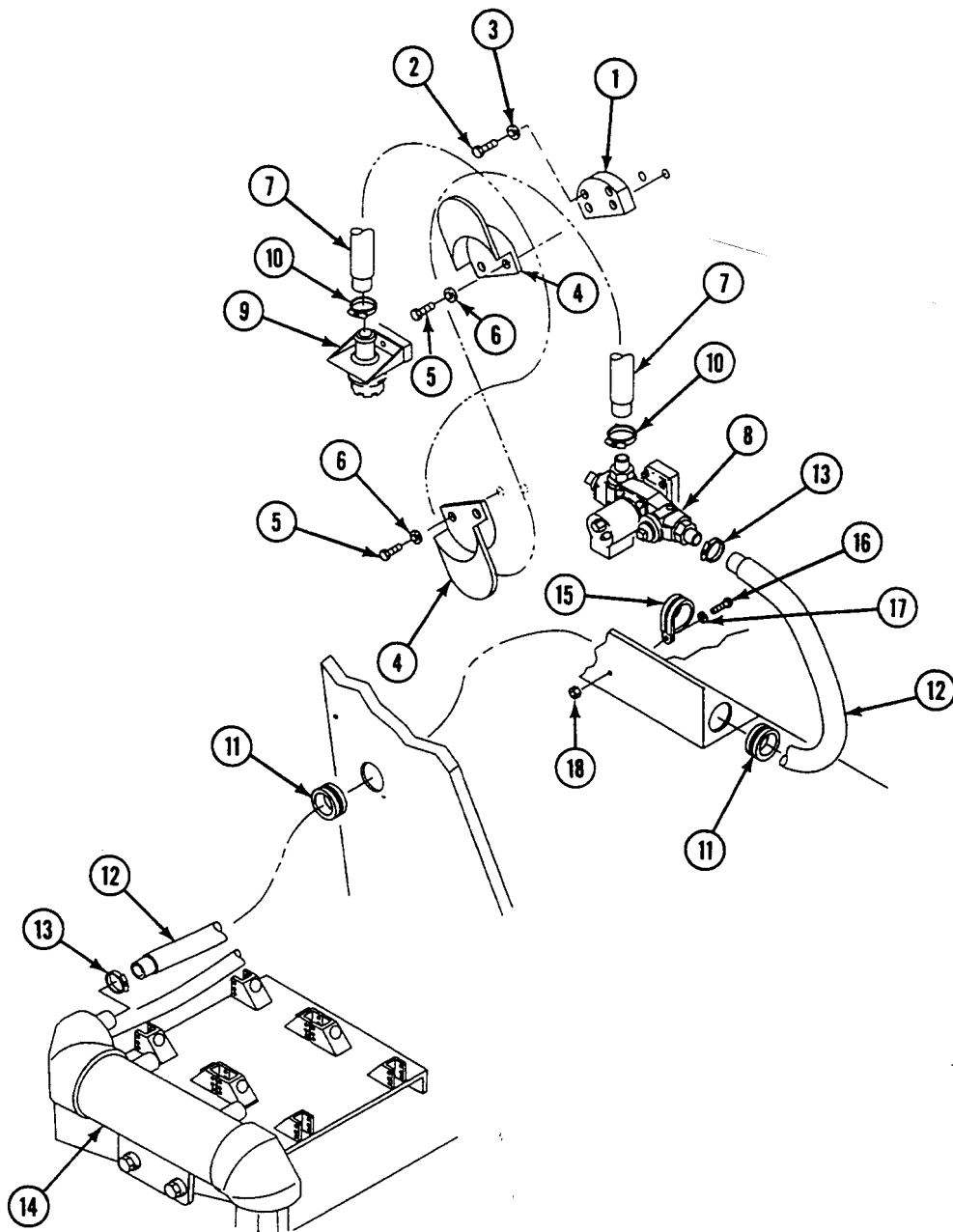


15. If spacer (1) was removed, install on front bulkhead with two screws (2) and new lockwashers (3).

REPLACE M13 NBC FILTERS AND HOSES (M577A3 ONLY) — Continued

0786 00

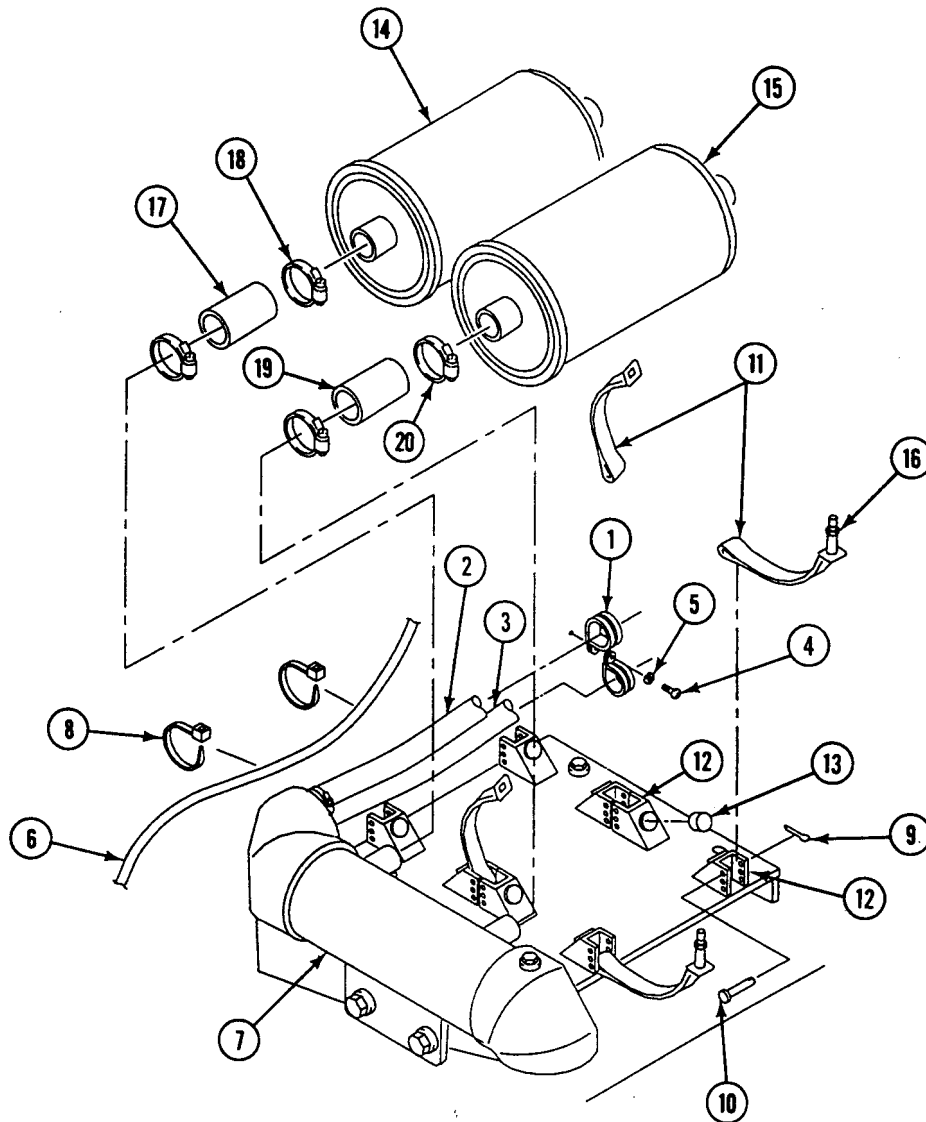
16. If either bracket (4) was removed, install on front bulkhead or spacer (1), as required, with two screws (5) and new lockwashers (6).
17. Install hose (7) on commander's heater (8) and connector (9) and tighten two clamps (10).
18. If removed, install new grommets (11) on hose (12), as required.
19. Install hose (12), two clamps (13), and grommets (11) on manifold (14) and commander's heater (8). Insert grommets in frame. Tighten clamps.
20. Install two clamps (15) on hose (12). Secure clamps to upper bulkhead with two screws (16), new lockwashers (17), and two nuts (18).



REPLACE M13 NBC FILTERS AND HOSES (M577A3 ONLY) — Continued

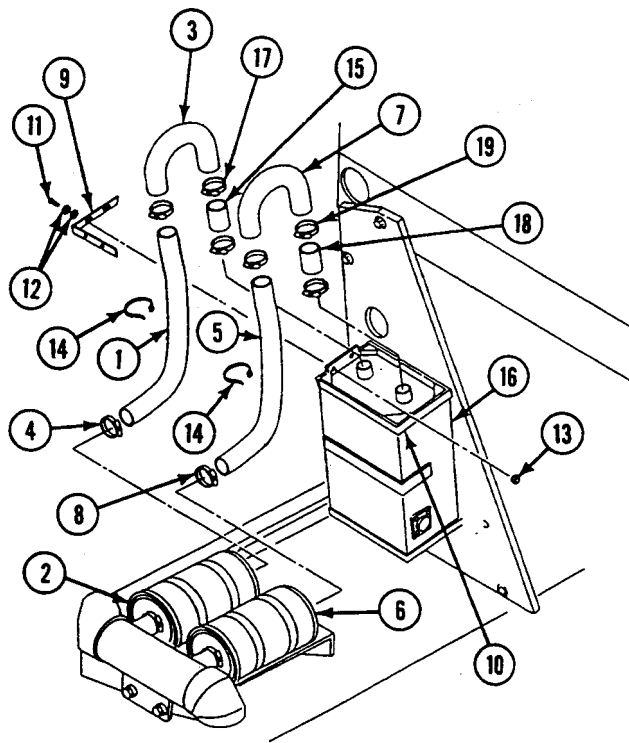
0786 00

21. Install two clamps (1) on hoses (2) and (3). Secure clamps to side bulkhead with screw (4) and new lockwasher (5).
22. Secure wiring harness (6) to hose (2) and manifold (7) with new straps (8).
23. If removed, install new cotter pins (9), straight pins (10), and clamps (11) on bracket (12).
24. If missing or removed, install new rubber bumpers (13) on bracket (12), as required.
25. Install filters (14) and (15) on brackets (12) and tighten nuts (16) on four clamps (11).
26. Install hose (17) on filter (14) and manifold (7) and tighten two clamps (18).
27. Install hose (19) on filter (15) and manifold (7) and tighten two clamps (20).



REPLACE M13 NBC FILTERS AND HOSES (M577A3 ONLY) — Continued**0786 00**

28. Install hose (1) on filter (2) and tube (3) and tighten two clamps (4).
29. Install hose (5) on filter (6) and tube (7) and tighten two clamps (8).
30. If bracket (9) was removed, install on frame (10). Secure with two screws (11), four washers (12), and two new locknuts (13).
31. Secure hoses (1) and (5) to bracket (9) with new straps (14).
32. Install hose (15) on precleaner (16) and tube (3) and tighten two clamps (17).
33. Install hose (18) on precleaner (16) and tube (9) and tighten two clamps (19).

**FOLLOW-THROUGH STEPS**

1. Connect battery ground lead (WP 0338 00).
2. Start engine (see your -10).
3. Raise and lock ramp (see your -10).
4. Stop engine (see your -10).
5. Check air flow of NBC system. Follow procedures of TM 3-6680-316-10.

END OF TASK

REPLACE M8A3 NBC HOSES AND BRACKETS (M1059A3 ONLY)

0787 00

THIS WORK PACKAGE COVERS:

Removal (page 0787 00-1).
 Installation (page 0787 00-4).

INITIAL SETUP:

Maintenance Level

Unit

References

See your -10
 TM 3-6680-316-10

Tools and Special Tools

General Mechanic's Tool Kit (WP 0926 00, Item 65)

Equipment Condition

Engine stopped (see your -10)
 Carrier blocked (see your -10)
 Ramp lowered (see your -10)
 Battery ground strap disconnected (WP 0337 00)
 Power plant rear access panel removed (WP 0439 00)

Materials/Parts

Locknut (2)
 Lockwasher (12)
 Lockwasher (8)

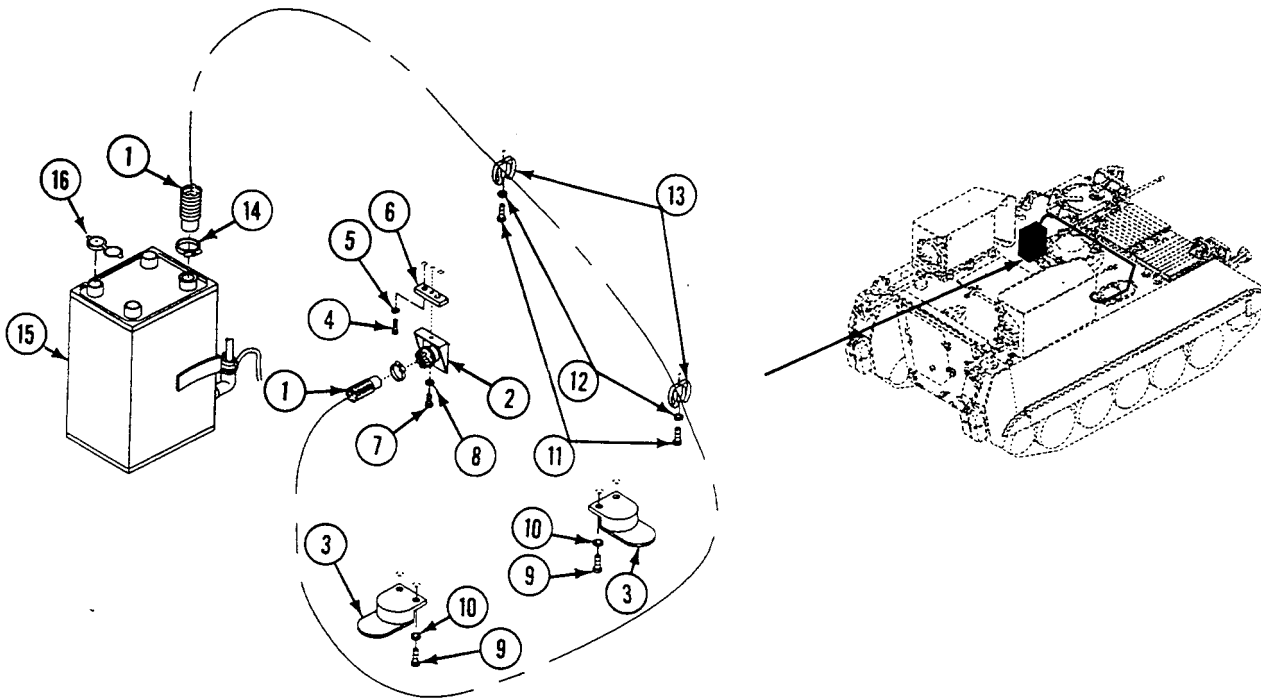
Personnel Required

Unit Mechanic

REMOVAL

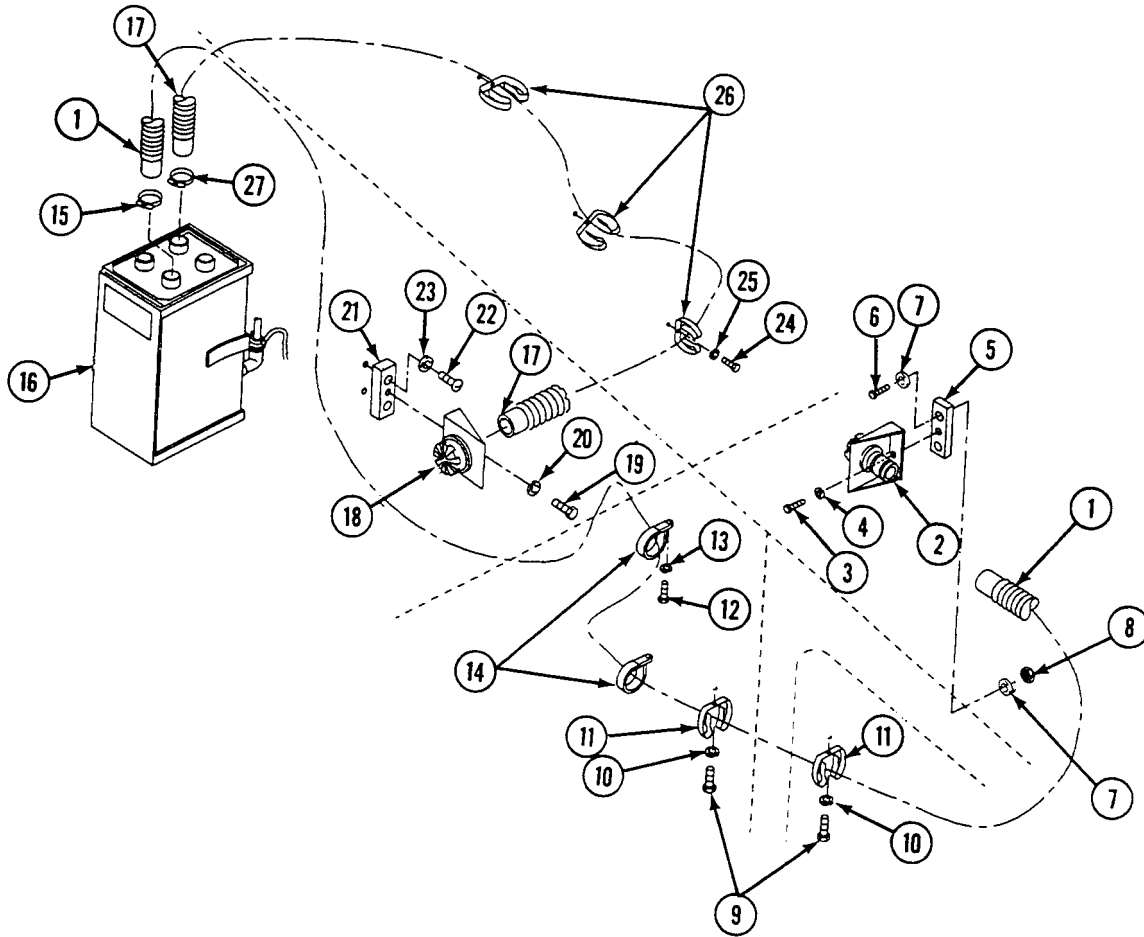
1. Remove smoke generator operator's hose (1) from connector (2) and two brackets (3).
2. Remove screw (4), lockwasher (5), and connector (2) from support (6). Discard lockwasher.
3. Remove two screws (7), lockwashers (8), and support (6) from vehicle top plate. Discard lockwashers.
4. Remove four screws (9), lockwashers (10), and two brackets (3) from vehicle top plate. Discard lockwashers.
5. Remove smoke generator operator's hose (1), two screws (11), lockwashers (12), and clips (13) from top plate. Discard lockwashers.
6. Loosen clamp (14) and remove smoke generator operator's hose (1) from top of transverse beam and disconnect from air purifier (15).

7. Remove rubber cap (16) from air purifier (15).



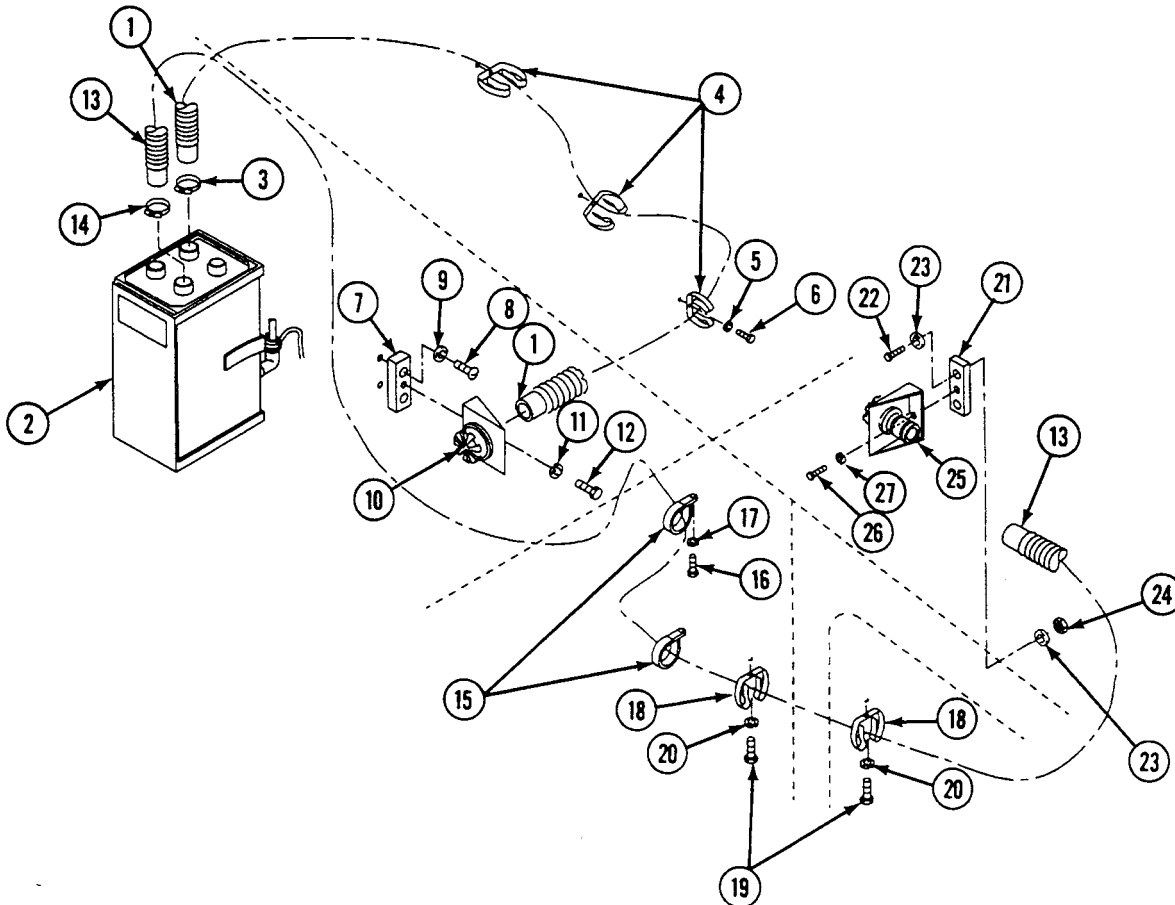
8. Remove commander's station hose (1) from connector (2).
9. Remove screw (3), lockwasher (4), and connector (2) from support (5). Discard lockwasher.
10. Remove two screws (6), four washers (7), two locknuts (8), and support (5) from bulkhead above engine access door. Discard locknuts.
11. Remove commander's station hose (1), two screws (9), lockwashers (10), and clips (11) from top plate in front of commander's hatch. Discard lockwashers.
12. Remove two screws (12), lockwashers (13), clamps (14) and commander's station hose (1) from top plate and transverse beam. Remove hose from clamps. Discard lockwashers.
13. Loosen clamp (15) and remove commander's station hose (1) from air purifier (16).
14. Disconnect driver's station hose (17) from connector (18).
15. Remove screw (19), lockwasher (20), and connector (18) from support (21). Discard lockwasher.
16. Remove two screws (22), lockwashers (23), and support (21) from side plate. Discard lockwashers.
17. Remove driver's station hose (17), three screws (24), lockwashers (25), and clips (26) from side plate. Discard lockwashers.
18. Loosen clamp (27) and remove driver's station hose (17) from air purifier (16).

19. Disassemble connectors (2) and (18), if required (WP 0778 00).

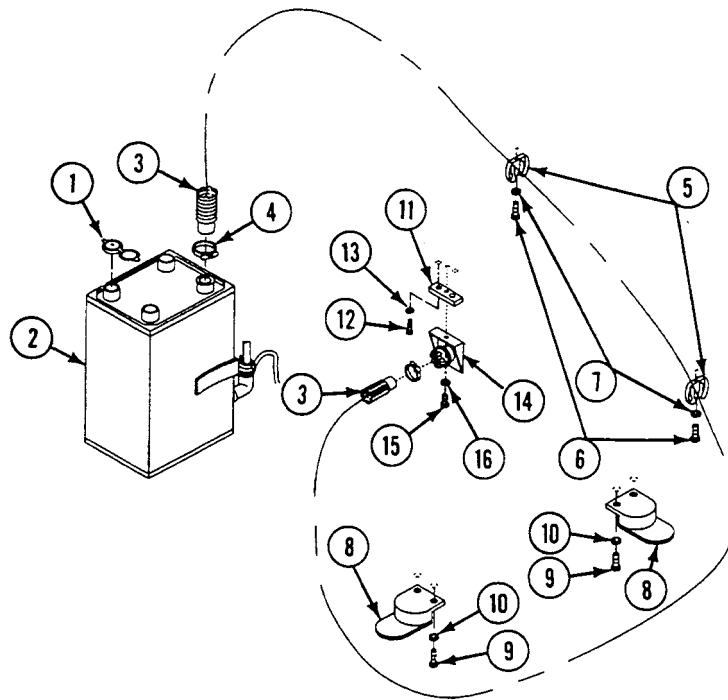


INSTALLATION

1. Install driver's station hose (1) on air purifier (2) and tighten clamp (3).
2. Route driver's station hose (1) to driver's station. Secure to side of hull with three clips (4), new lockwashers (5), and screws (6).
3. Attach support (7), two screws (8), and new lockwashers (9) to side plate.
4. Install connector (10), two new lockwashers (11), and screws (12) to support (7).
5. Insert end of driver's station hose (1) into connector (10).
6. Install commander's station hose (13) on air purifier (2) and tighten clamp (14).
7. Secure commander's station hose (13), two clamps (15), screws (16), and new lockwashers (17) to transverse beam and top plate.
8. Attach commander's station hose (13), two clips (18), screws (19), and new lockwashers (20) to top plate in front of commander's hatch.
9. Install support (21), two screws (22), four washers (23), and two new locknuts (24) to bulkhead above engine access door.
10. Install connector (25), screw (26), and new lockwasher (27) on support (21).
11. Install commander's station hose (13) on connector (25).



12. Attach rubber cap (1) without center hole over unused outlet on air purifier (2).
13. Attach smoke generator operator's hose (3) to air purifier (2) and tighten clamp (4).
14. Install two clips (5), two screws (6), and new lockwashers (7) to top plate behind smoke generator operator's seat.
15. Route smoke generator operator's hose (3) across top of transverse beam and attach to two clips (5).
16. Install two brackets (8), four screws (9) and new lockwashers (10) to vehicle top plate.
17. Install support (11), two screws (12), and new lockwashers (13) to vehicle top plate beside smoke generator operator's seat.
18. Install connector (14), screw (15), and new lockwasher (16) on support (11).
19. Route smoke generator operator's hose (3) around two brackets (8) and insert end of hose in connector (14).



FOLLOW-THROUGH STEPS

1. Install power plant rear access panel (WP 0439 00).
2. Connect battery ground strap (WP 0337 00).
3. Start engine (see your -10).
4. Raise and lock ramp (see your -10).
5. Stop engine (see your -10).
6. Check air flow of NBC system. Follow procedures in TM 3-6680-316-10.

END OF TASK

REPLACE M3 NBC HOSES AND FITTINGS (M1059A3 ONLY)

0788 00

THIS WORK PACKAGE COVERS:

Removal (page 0788 00-1).
 Installation (page 0788 00-5).

INITIAL SETUP:

Maintenance Level

Unit

Personnel Required

Unit Mechanic

Tools and Special Tools

General Mechanic's Tool Kit (WP 0926 00, Item 65)

References

See your -10
 TM 3-6680-316-10

Materials/Parts

Grommet
 Lockwasher (23)
 Straps (as required)

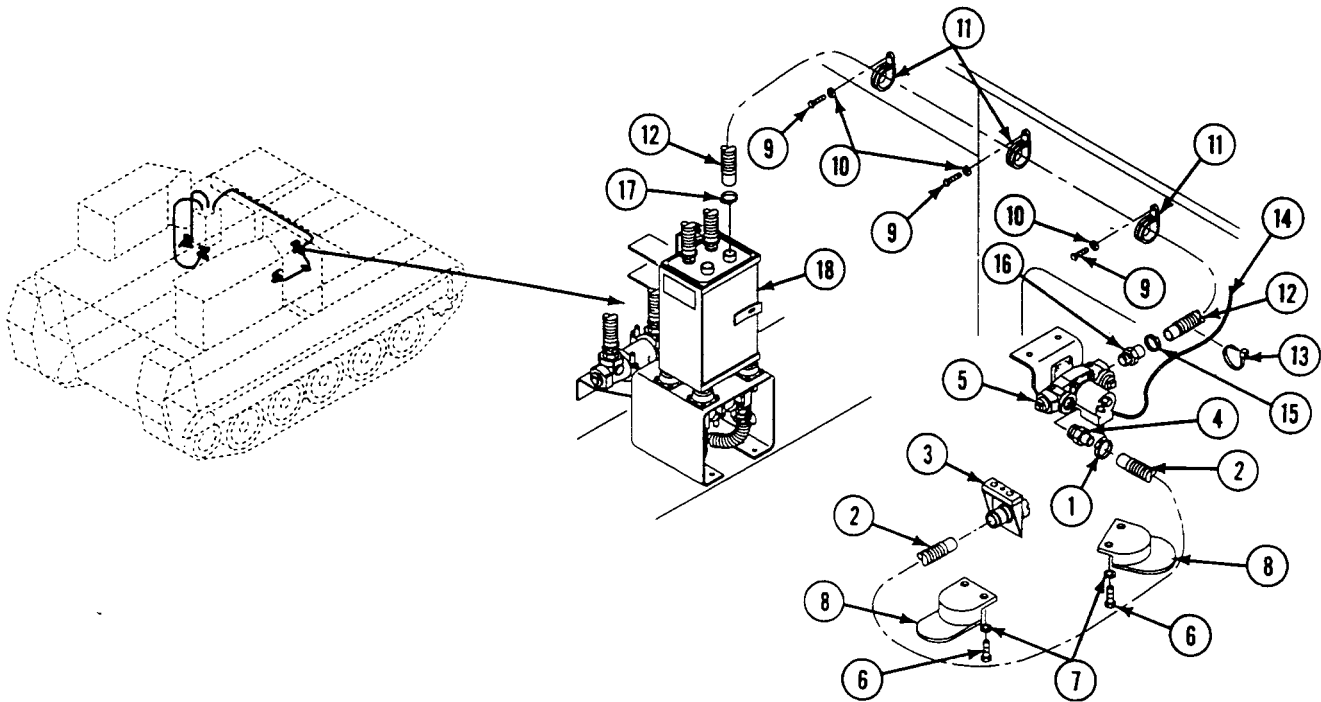
Equipment Condition

Engine stopped (see your -10)
 Carrier blocked (see your -10)
 Battery ground strap disconnected (WP 0337 00)

REMOVAL

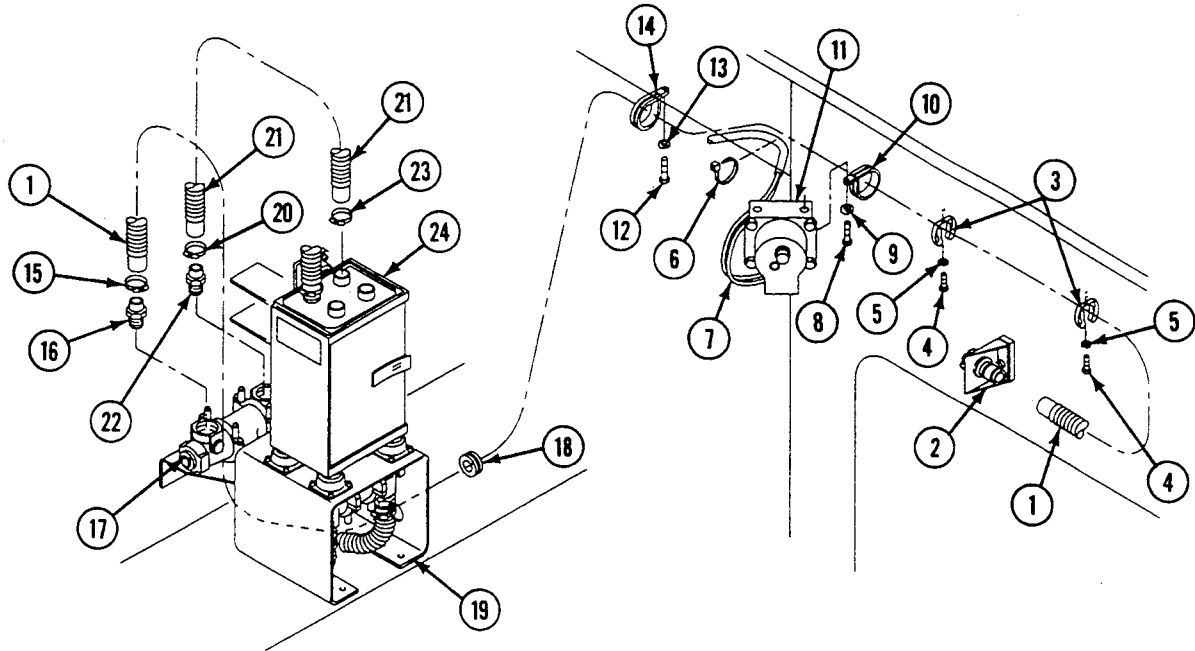
1. Loosen clamp (1) and remove hose (2) from connector (3) and adapter (4) on operator's heater (5).
2. If damaged, remove adapter (4) from operator's heater (5).
3. Remove four screws (6), lockwashers (7), and two brackets (8) from top plate. Discard lockwashers.
4. Remove three screws (9), lockwashers (10), and clamps (11) from top plate. Remove clamps from operator's inlet hose (12). Discard lockwashers.
5. Cut straps (13) that secure lead 537D (14) to operator's inlet hose (12). Discard straps.
6. Loosen clamp (15) and remove operator's inlet hose (12) from adapter (16) on operator's heater (5).
7. If damaged, remove adapter (16) from operator's heater (5).

8. Loosen clamp (17) and remove operator's inlet hose (12) from air purifier (18).

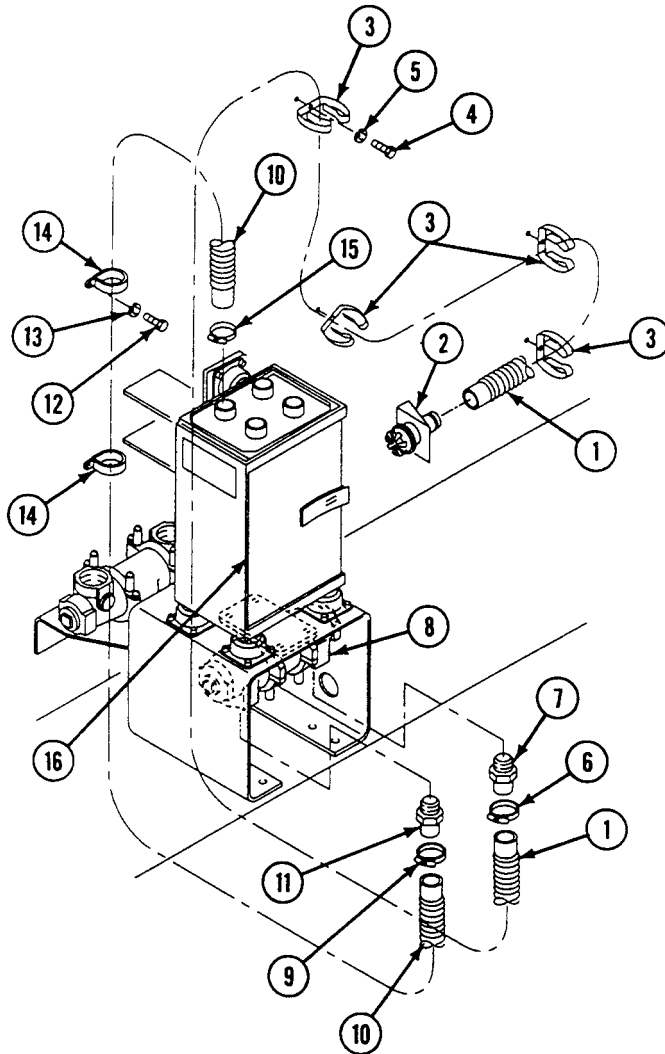


9. Remove commander's station hose (1) from connector (2) and two clips (3) on top plate.
10. Remove two screws (4), lockwashers (5), and clips (3) from top plate. Discard lockwashers.
11. Cut straps (6) that secure leads (7) to commander's station hose (1). Discard straps.
12. Remove screw (8), lockwasher (9), and clamp (10) from bracket (11) and top plate. Remove clamp from commander's station hose (1).
13. Remove screw (12), lockwasher (13), and clamp (14) from top plate. Remove clamp from commander's station hose (1). Discard lockwashers.
14. Loosen clamp (15) and remove commander's station hose (1) from adapter (16) on heater (17).
15. If damaged, remove adapter (16) from heater (17).
16. Remove commander's station hose (1) and grommet (18) from mount (19).
17. Loosen clamp (20) and remove hose (21) from adapter (22) on heater (17).
18. If damaged, remove adapter (22) from heater (17).

19. Loosen clamp (23) and remove hose (21) from air purifier (24).

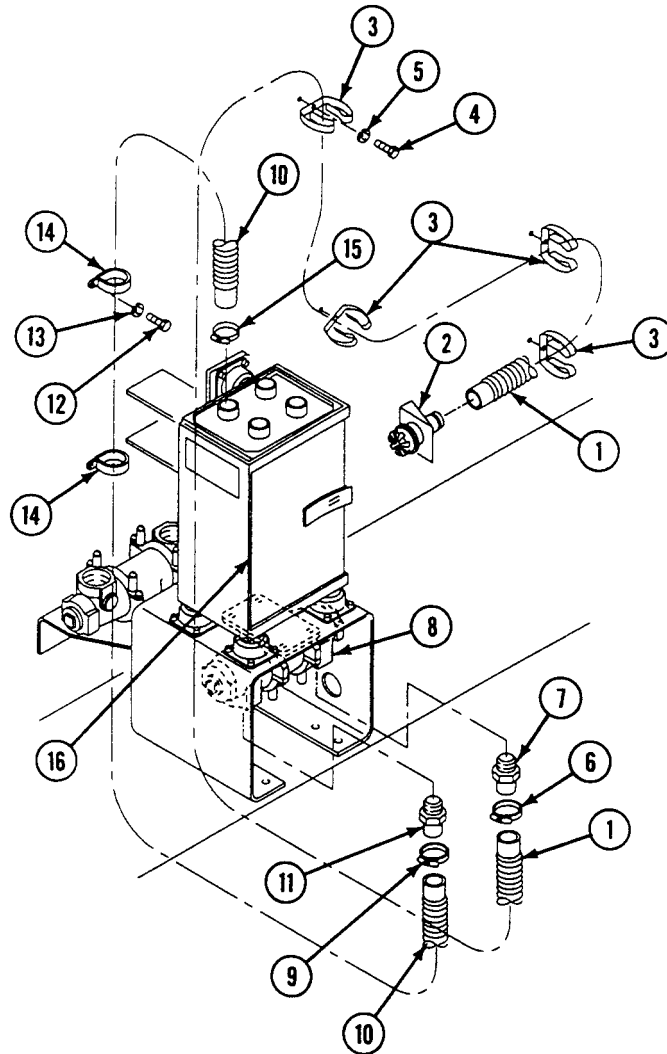


20. Remove driver's station hose (1) from connector (2) and four clips (3) on driver's bulkhead.
21. Remove four screws (4), lockwashers (5), and clips (3) from driver's bulkhead. Discard lockwashers.
22. Loosen clamp (6) and remove driver's station hose (1) from adapter (7) on heater (8).
23. If damaged, remove adapter (7) from heater (8).
24. Loosen clamp (9) and remove hose (10) from adapter (11) on heater (8).
25. If damaged, remove adapter (11) from heater (8)
26. Remove two screws (12), lockwashers (13), and clamps (14) from bulkhead. Remove clamps from hose (10).
27. Loosen clamp (15) and remove hose (10) from air purifier (16).
28. Disassemble connector (2), if required (WP 0778 00).

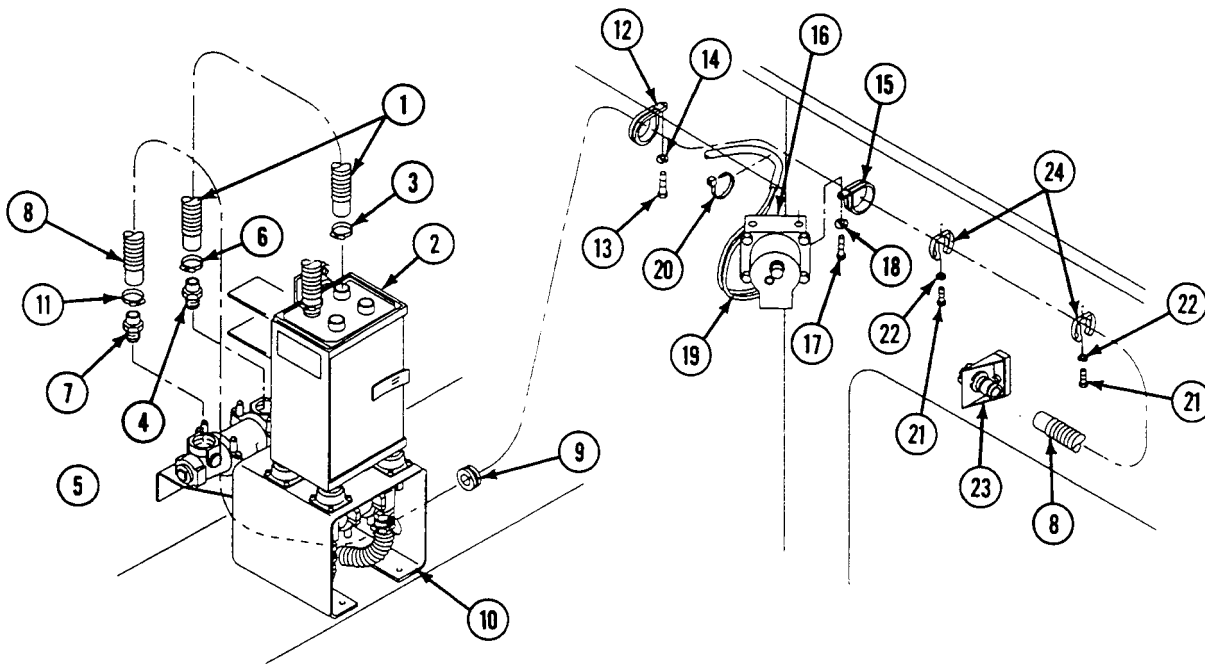


INSTALLATION

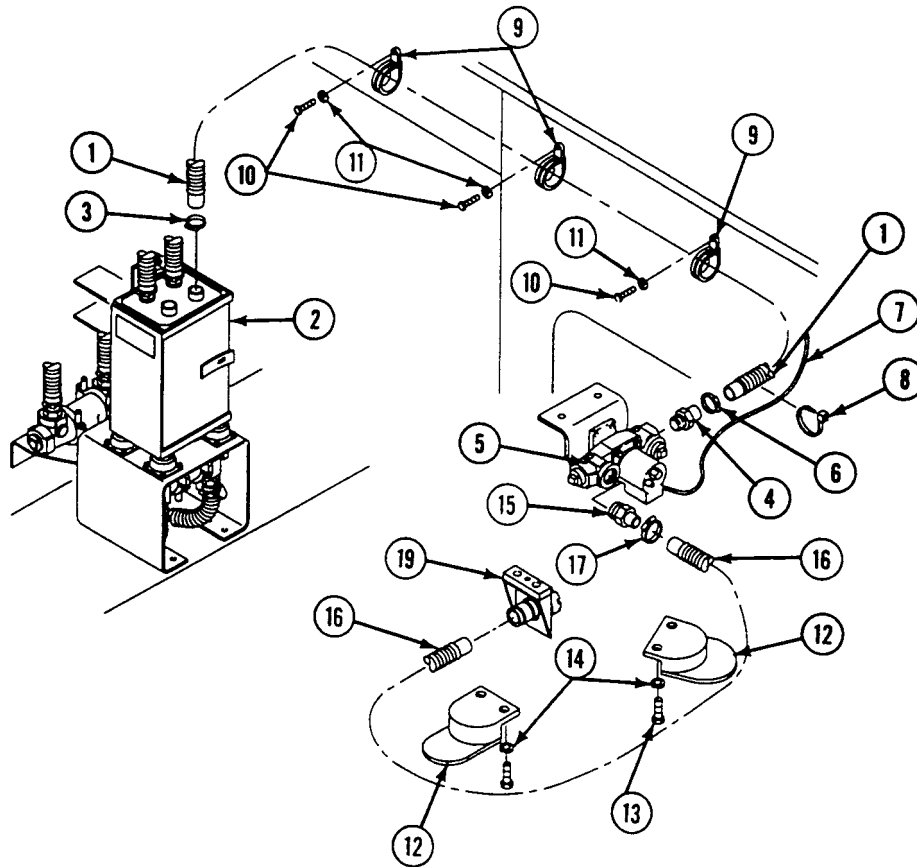
1. Assemble connector (2), if required (WP 0778 00).
2. Install hose (10) on air purifier (16) and tighten clamp (15).
3. Install two clamps (14) on hose (10). Secure clamps to bulkhead with two screws (12) and new lockwashers (13).
4. If removed, install adapter (11) on heater (8).
5. Install hose (10) on adapter (11) on heater (8) and tighten clamp (9).
6. If removed, install adapter (7) on heater (8).
7. Install driver's station hose (1) on adapter (7) on heater (8) and tighten clamp (6).
8. Install four screws (4), new lockwashers (5), and clips (3) on driver's bulkhead.
9. Install driver's station hose (1) in four clips (3) on connector (2).



10. Install hose (1) on air purifier (2) and tighten clamp (3).
11. If removed, install adapter (4) on heater (5).
12. Install hose (1) on adapter (4) on heater (5) and tighten clamp (6).
13. If removed, install adapter (7) on heater (5).
14. Route commander's station hose (8) with grommet (9) through mount (10). Insert grommet in mount.
15. Install commander's station hose (8) on adapter (7) on heater (5) and tighten clamp (11).
16. Install clamp (12) on commander's station hose (8). Secure clamp (12) to top plate with screw (13) and new lockwasher (14).
17. Install clamp (15) on commander's station hose (8). Secure clamp to bracket (16) and top plate with screw (17) and new lockwasher (18).
18. Secure leads (19) to commander's station hose (8) with new straps (20).
19. Install two screws (21), new lockwashers (22), and clips (23) on top plate.
20. Install commander's station hose (8) on connector (23) and in two clips (24) bolted on top plate.



21. Install hose (1) on air purifier (2) and tighten clamp (3).
22. If removed, install adapter (4) on operator's heater (5).
23. Install operator's inlet hose (1) on adapter (4) and tighten clamp (6).
24. Connect lead 537D (7) to operator's heater (5). Install new straps (8) to secure lead to operator's inlet hose (1).
25. Install three clamps (9) on operator's inlet hose (1). Secure clamps to top plate with three screws (10) and new lockwashers (11).
26. Install two brackets (12), four screws (13), and new lockwashers (14) on top plate.
27. If removed, install adapter (15) on operator's heater (5).
28. Install hose (16) on adapter (15) and tighten clamp (17).
29. Route hose (16) around bracket (12). Install hose on connector (19).



FOLLOW-THROUGH STEPS

1. Connect battery ground strap (WP 0337 00).
2. Check air flow of NBC system. Follow procedures in TM 3-6680-316-10.

END OF TASK

REPLACE M13 NBC FILTERS AND HOSES (M1068A3 ONLY)

0789 00

THIS WORK PACKAGE COVERS:

- Removal (page 0789 00-1).
- Installation (page 0789 00-4).

INITIAL SETUP:

Maintenance Level

Unit

References

See your -10
TM 3-6680-316-10

Tools and Special Tools

General Mechanic's Tool Kit (WP 0926 00, Item 65)

Equipment Condition

- Engine stopped (see your -10)
- Carrier blocked (see your -10)
- Ramp lowered (see your -10)
- Battery ground lead disconnected (WP 0338 00)
- Radio operator's seats removed (WP 0568 00)
- Crew compartment floor plates removed (WP 0544 00)

Materials/Parts

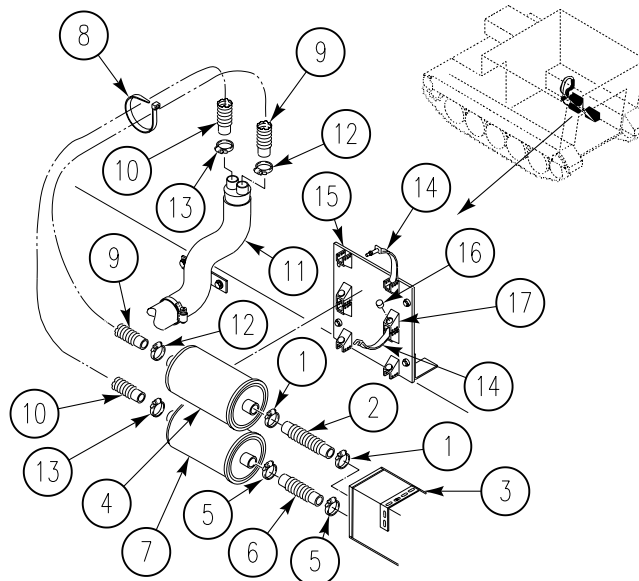
- Locknut (2)
- Lockwasher (10)
- Strap (as required)

Personnel Required

Unit Mechanic

REMOVAL

1. Loosen two clamps (1) and remove hose (2) from precleaner (3) and filter (4).
2. Loosen two clamps (5) and remove hose (6) from precleaner (3) and filter (7).
3. Cut strap (8) securing hoses (9) and (10) together at manifold (11). Discard strap.
4. Loosen two clamps (12) and remove hose (9) from filter (4) and manifold (11).
5. Loosen two clamps (13) and remove hose (10) from filter (7) and manifold (11).
6. Loosen four clamps (14). Open clamps and remove filters (4) and (7) from mount (15).
7. If damaged, remove any rubber bumper (16) from bracket (17) as required. Discard rubber bumpers.

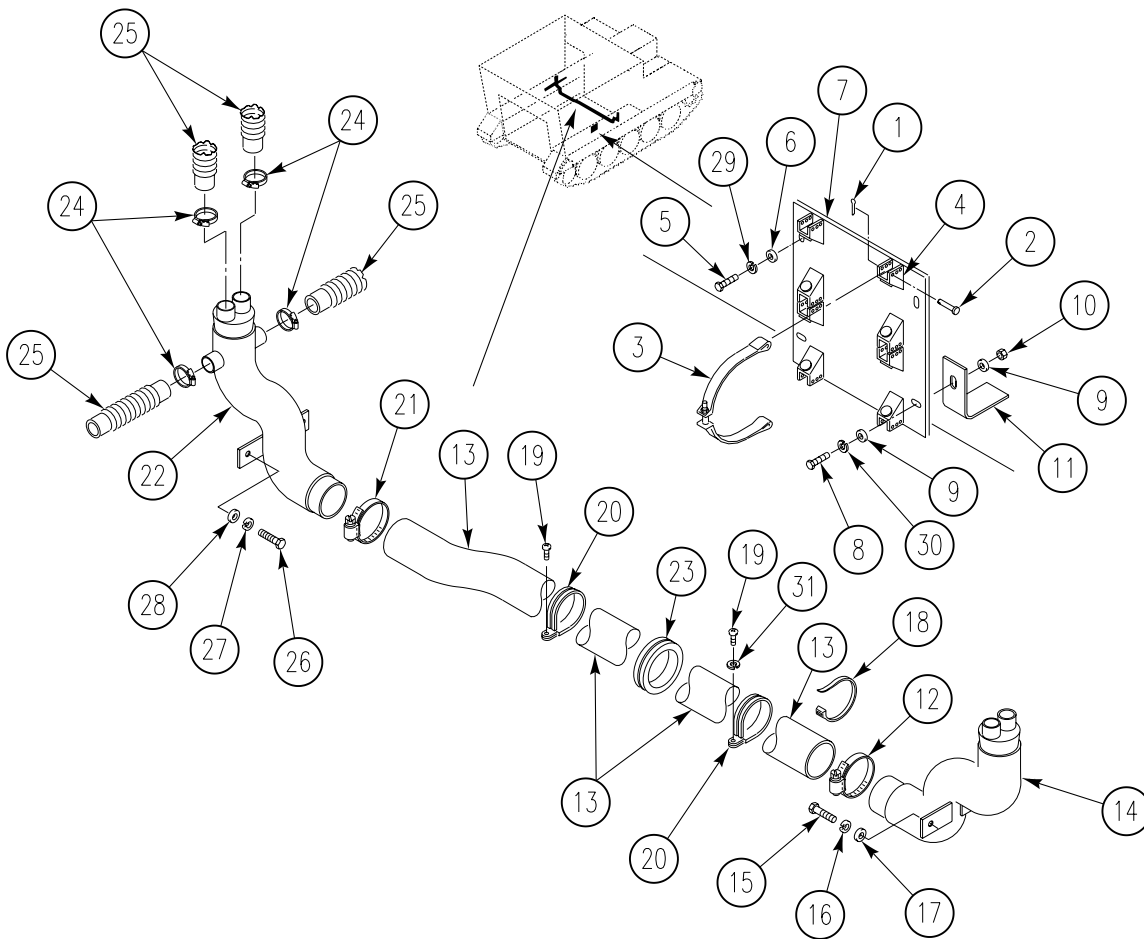


8. If any cotter pin (1) is damaged, remove cotter pin, straight pin (2), and clamp (3) from bracket (4) as required. Discard cotter pins.

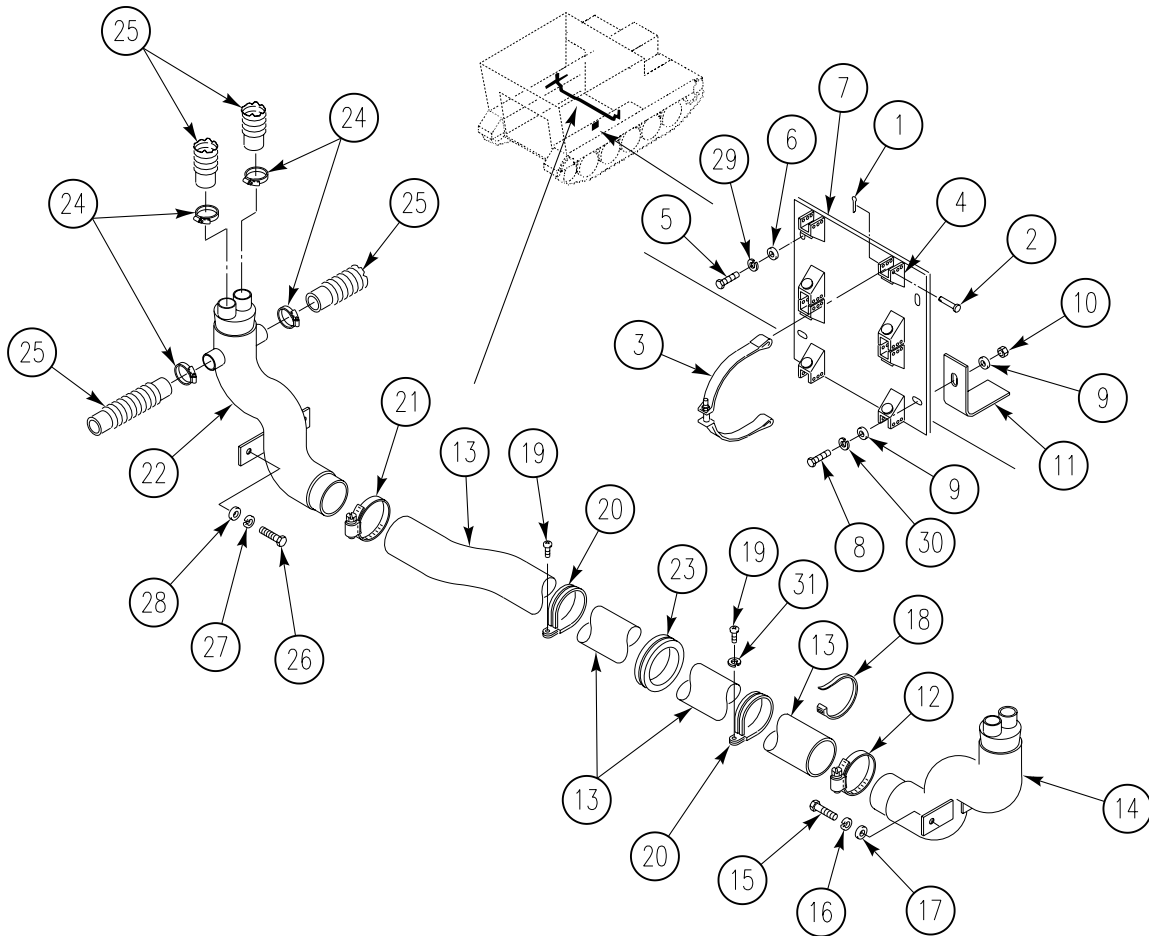
NOTE

If mount is damaged, do Step 9 and Step 10. If not, go to Step 11.

9. Remove two screws (5), lockwashers (29) and washers (6) from mount (7) and weldnuts. Discard lockwashers.
10. Remove two screws (8), four washers (9), two lockwashers (30), two locknuts (10), and mount (7) from welded bracket (11). Discard locknuts and lockwashers.
11. Loosen clamp (12) and remove hose (13) from manifold (14).
12. Remove two screws (15), lockwashers (16), washers (17), and manifold (14) from sponson. Discard lockwashers.

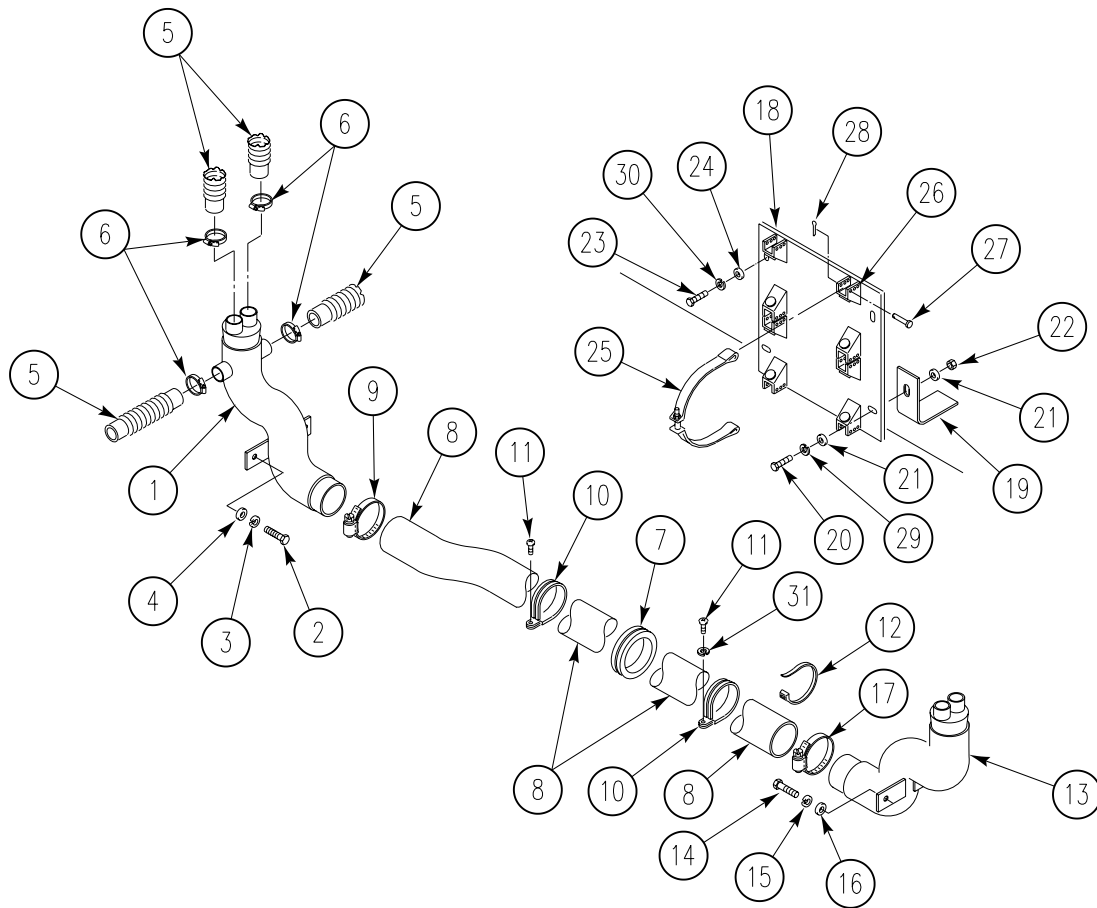


13. Cut strap (18) securing two fuel lines to hose (13). Discard strap.
14. Remove two screws (19), lockwashers (31), and clamps (20) from hose (13). Discard lockwashers.
15. Loosen clamp (21) and remove hose (13) from manifold (22).
16. Remove hose (13) with grommet (23) from hull.
17. If damaged, remove grommet (23) from hose (13). Discard grommet.
18. Loosen four clamps (24) and remove four heater inlet hoses (25) from manifold (22).
19. Remove two screws (26), lockwashers (27), washers (28), and manifold (22) from sponson. Discard lockwashers.



INSTALLATION

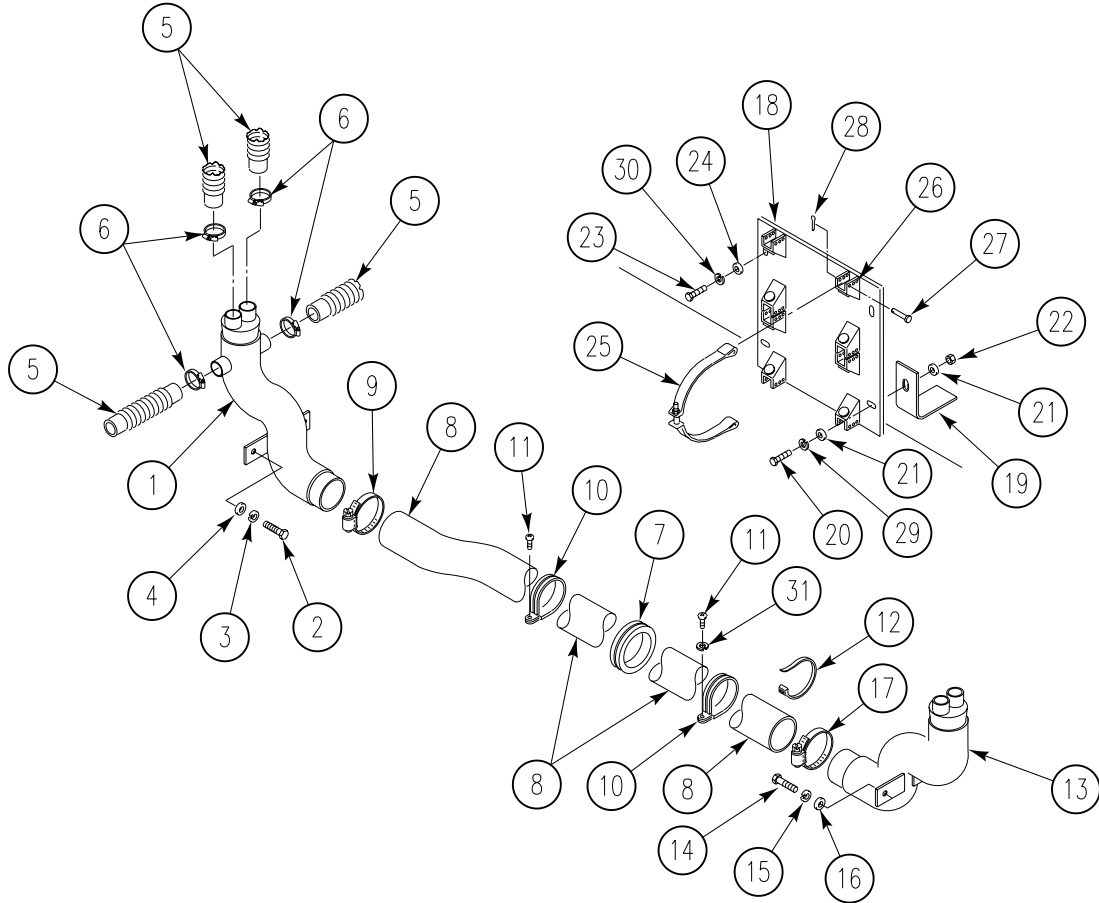
1. Install manifold (1) on sponson. Secure with two screws (2), washers (3), and new lockwashers (4).
2. Install four heater inlet hoses (5) on manifold (1) and tighten four clamps (6).
3. If removed, install new grommet (7) on hose (8). Route hose through hull and insert grommet in hull.
4. Install hose (8) on manifold (1) and tighten clamp (9).
5. Install two clamps (10) on hose (8). Secure clamps and hose to hull with two new lockwashers (31) and screws (11).
6. Secure two fuel lines to hose (8) with new strap (12).
7. Install manifold (13) on sponson. Secure with two screws (14), new lockwashers (15), and washers (16).
8. Install hose (8) and clamp (17) on manifold (13). Tighten clamp.



NOTE

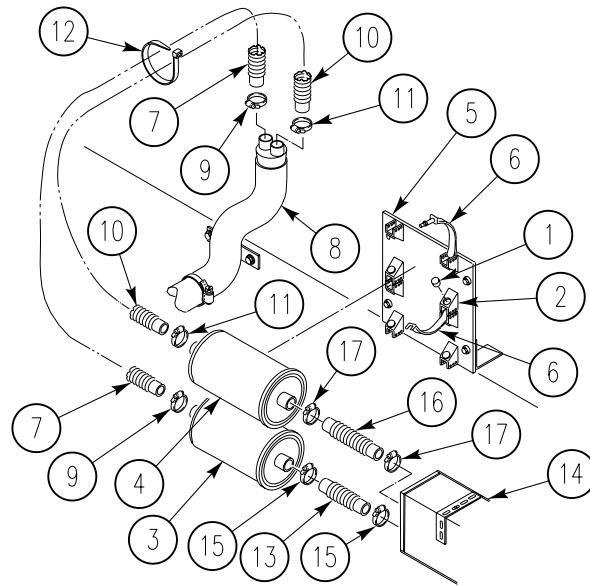
If mount was removed, do Step 9 and Step 10. If not, go to Step 11.

9. Install mount (18) on welded bracket (19). Secure with two screws (20), four washers (21), two new lockwashers (29) and two new locknuts (22).
10. If removed, install mount (18) on weldnut. Secure with two screws (23), new locknuts (30) and washers (24).
11. If removed, install clamps (25) on bracket (26). Secure with straight pins (27) and new cotter pins (28).



REPLACE M13 NBC FILTERS AND HOSES (M1068A3 ONLY) — Continued**0789 00**

12. If removed or missing, install new rubber bumpers (1) on bracket (2), as required.
13. Install filters (3) and (4) on mount (5) and tighten clamps (6).
14. Install hose (7) on filter (3) and manifold (8) and tighten clamps (9).
15. Install hose (10) on filter (4) and manifold (8) and tighten clamps (11).
16. Secure hoses (7) and (10) together at manifold (8) with new strap (12).
17. Install hose (13) on precleaner (14) and filter (3) and tighten clamps (15).
18. Install hose (16) on precleaner (14) and filter (4) and tighten clamps (17).

**FOLLOW-THROUGH STEPS**

1. Install radio operator's seats (WP 0568 00).
2. Install crew compartment floor plates (WP 0544 00).
3. Connect battery ground lead (WP 0338 00).
4. Start engine (see your -10).
5. Raise and lock ramp (see your -10).
6. Stop engine (see your -10).
7. Check air flow of NBC system. Follow procedures in TM 3-6680-316-10.

END OF TASK

REPLACE M13 NBC HEATER HOSES (M1068A3 ONLY)

0790 00

THIS WORK PACKAGE COVERS:

Removal (page 0790 00-1).
 Installation (page 0790 00-5).

INITIAL SETUP:

Maintenance Level
 Unit

Personnel Required
 Unit Mechanic

Tools and Special Tools

General Mechanic's Tool Kit (WP 0926 00, Item 65)

References

See your -10
 see TM 3-6680-316-10

Materials/Parts

Grommet (2)
 Locknut (2)
 Locknut (4)
 Locknut (10)
 Lockwasher (4)
 Lockwasher (4)
 Lockwasher (6)
 Strap (as required)

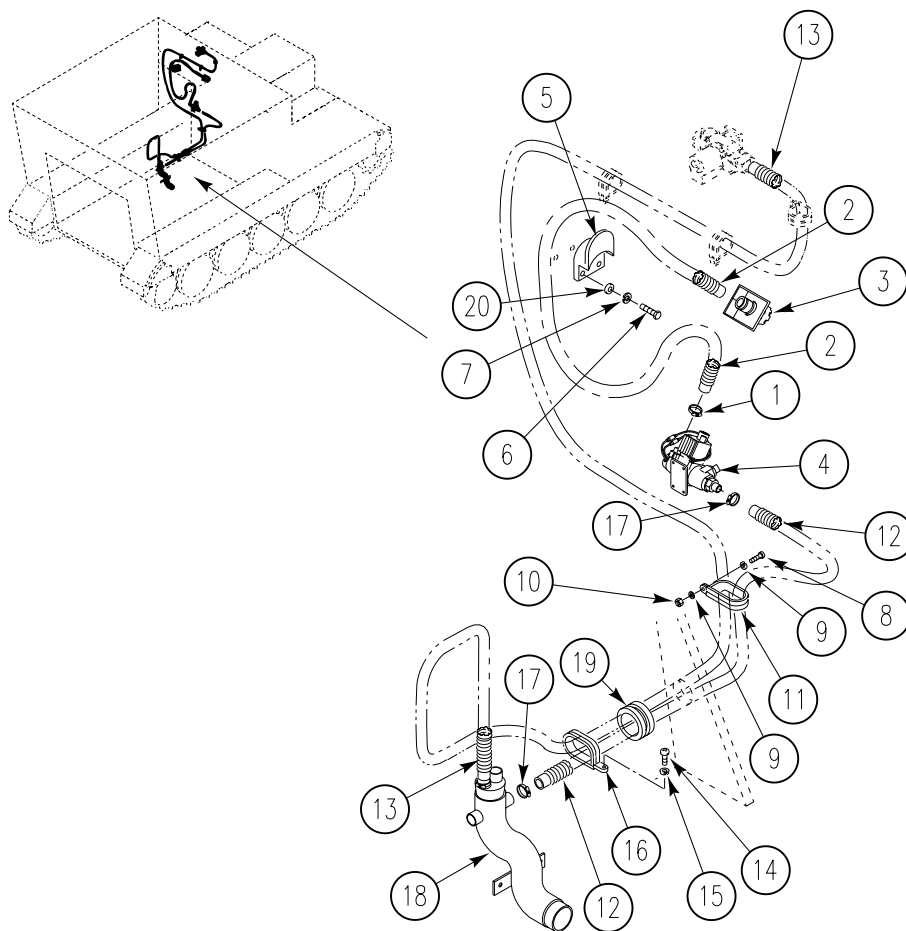
Equipment Condition

Engine stopped (see your -10)
 Carrier blocked (see your -10)
 Battery ground lead disconnected (WP 0338 00)

REMOVAL

1. Loosen clamp (1) on driver's outlet hose (2). Remove hose from connector (3) and driver's heater (4).
2. If bracket (5) is damaged, remove two screws (6), lockwashers (20), washers (7), and bracket from driver's bulkhead. Discard lockwashers.
3. Remove screw (8), two washers (9), one locknut (10), and clamp (11) from welded bracket. Remove clamp from driver's inlet hose (12) and commander's inlet hose (13). Discard locknut.
4. Remove screw (14), lockwasher (15), and clamp (16) from sponson. Remove clamp from driver's inlet hose (12) and commander's inlet hose (13). Discard lockwasher.
5. Loosen two clamps (17) on driver's inlet hose (12). Remove hose from heater (4) and manifold (18).

6. Remove driver's inlet hose (12), with grommet (19), from welded frame. Discard grommet if damaged.

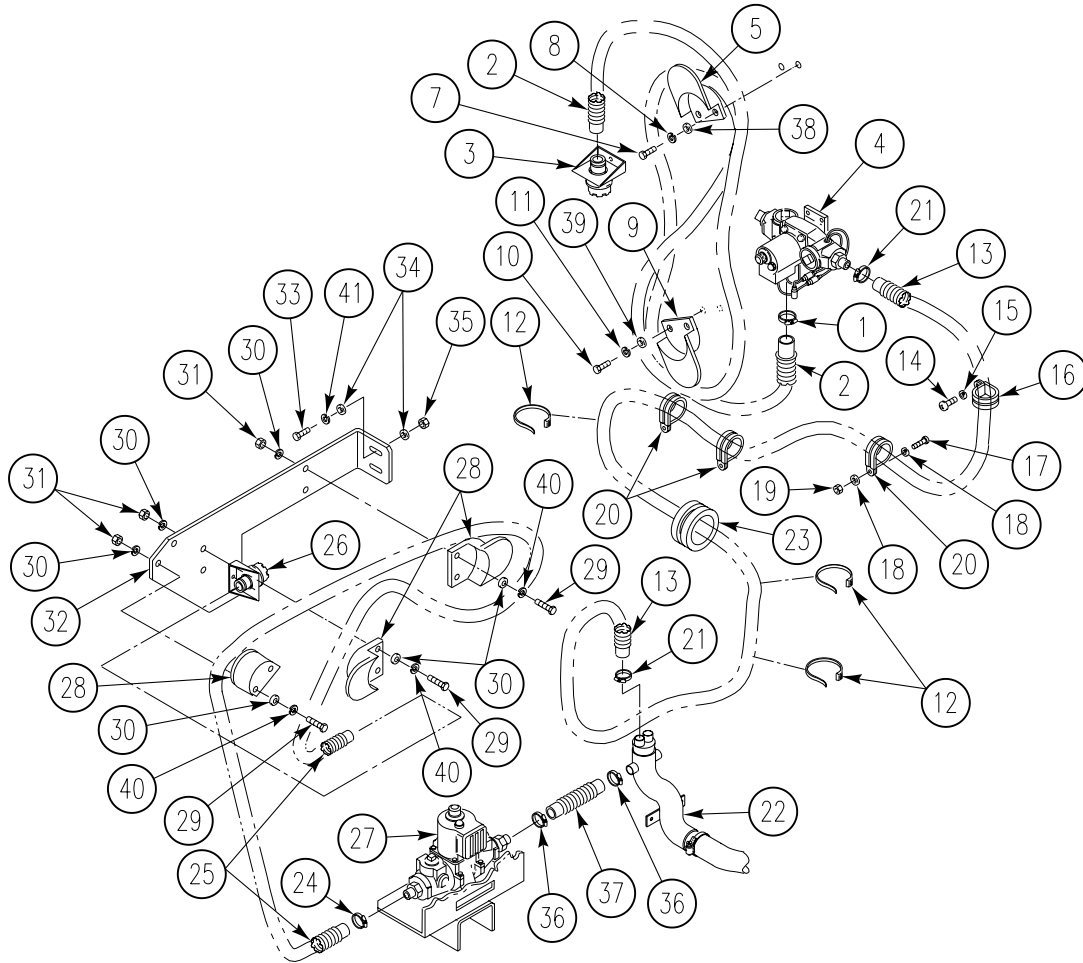


7. Loosen clamp (1) on commander's outlet hose (2). Remove hose from connector (3) and commander's heater (4).
8. If upper bracket (5) is damaged, remove two screws (7), lockwashers (8), washers (38), bracket, and spacer from commander's bulkhead. Discard lockwashers.
9. If lower bracket (9) is damaged, remove two screws (10), lockwashers (11), washers (39), and bracket from commander's bulkhead. Discard lockwashers.
10. Cut all straps (12) securing commander's inlet hose (13) to electrical leads. Discard straps.
11. Remove screw (14), lockwasher (15), and clamp (16) from commander's bulkhead. Remove clamp from commander's inlet hose (13). Discard lockwasher.
12. Remove three screws (17), six washers (18), three locknuts (19), and clamps (20) from crossbeam. Remove clamps from commander's inlet hose (13). Discard locknuts.
13. Loosen two clamps (21) on commander's inlet hose (13). Remove hose from commander's heater (4) and manifold (22).
14. Remove commander's inlet hose (13), with grommet (23), from welded frame. Discard grommet if damaged.
15. Loosen clamp (24) on forward operator's outlet hose (25). Remove hose from connector (26) and forward operator's heater (27).
16. If any of three brackets (28) are damaged, remove two screws (29), four washers (30), two lockwashers (40), two nuts (31) and damaged bracket (28) from bracket (32). Discard lockwashers.

REPLACE M13 NBC HEATER HOSES (M1068A3 ONLY) — Continued

0790 00

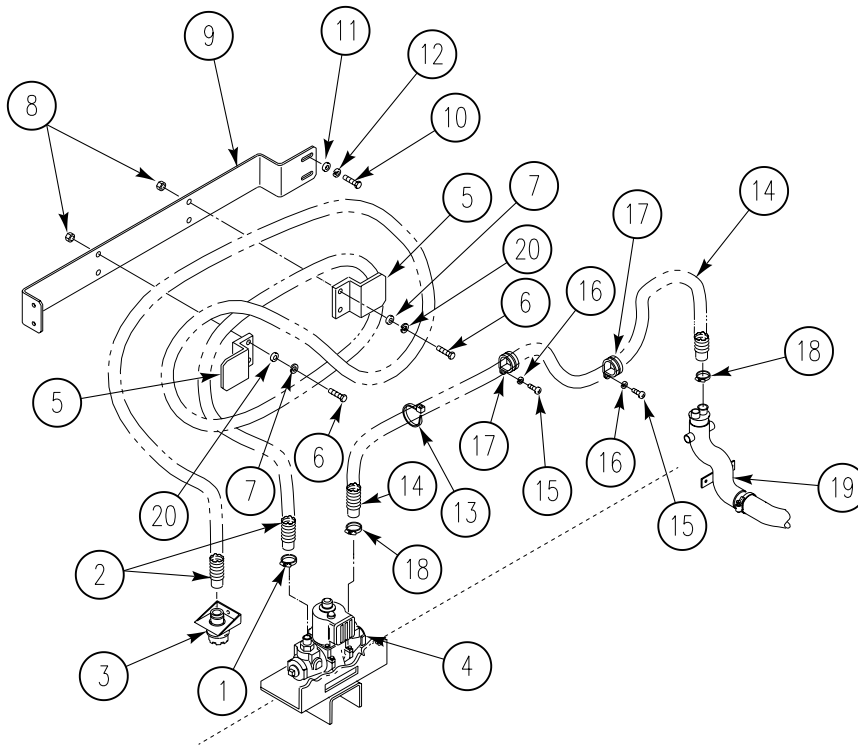
17. If bracket (32) is damaged, remove two screws (33), four washers (34), two lockwashers (41), two nuts (35) and damaged bracket from table supports. Discard lockwashers.
18. Loosen two clamps (36) on forward operator's inlet hose (37). Remove hose from forward operator's heater (27) and manifold (22).



REPLACE M13 NBC HEATER HOSES (M1068A3 ONLY) — Continued

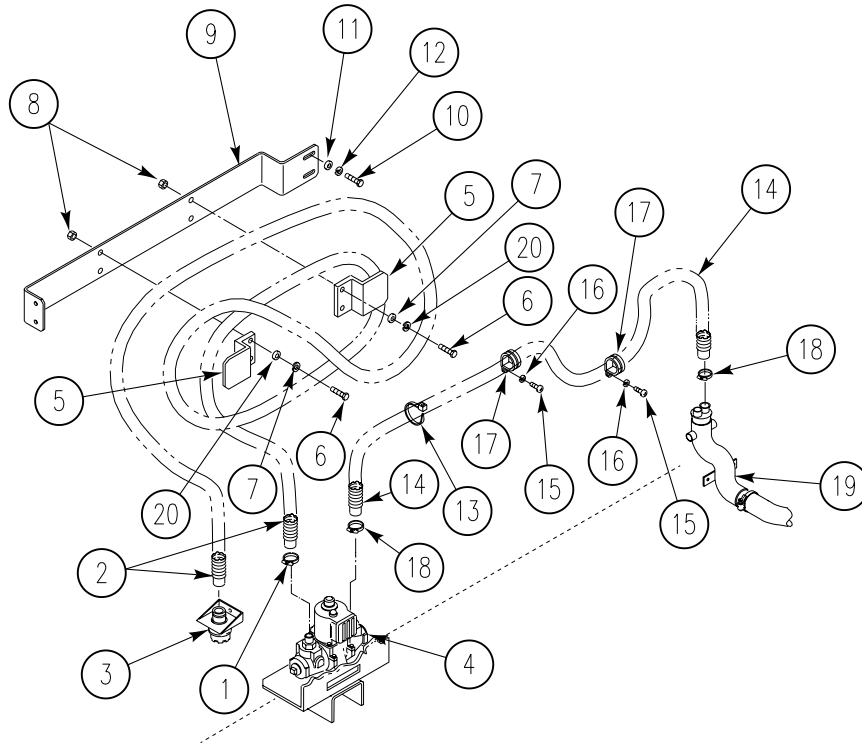
0790 00

19. Loosen clamp (1) on rear operator's outlet hose (2). Remove hose from connector (3) and rear operator's heater (4).
20. If either of two brackets (5) are damaged, remove two screws (6), washers (7), lockwashers (20), nuts (8) and damaged bracket (5) from bracket (9). Discard lockwashers.
21. If bracket (9) is damaged, remove four screws (10), washers (11), lockwashers (12) and bracket from table supports.
22. Cut straps (13) securing electrical leads to rear operator's inlet hose (14). Discard straps.
23. Remove two screws (15), lockwashers (16), and clamps (17) from sponson. Remove clamps from rear operator's inlet hose (14). Discard lockwashers.
24. Loosen two clamps (18) on rear operator's inlet hose (14). Remove hose from rear operator's heater (4) and manifold (19).



INSTALLATION

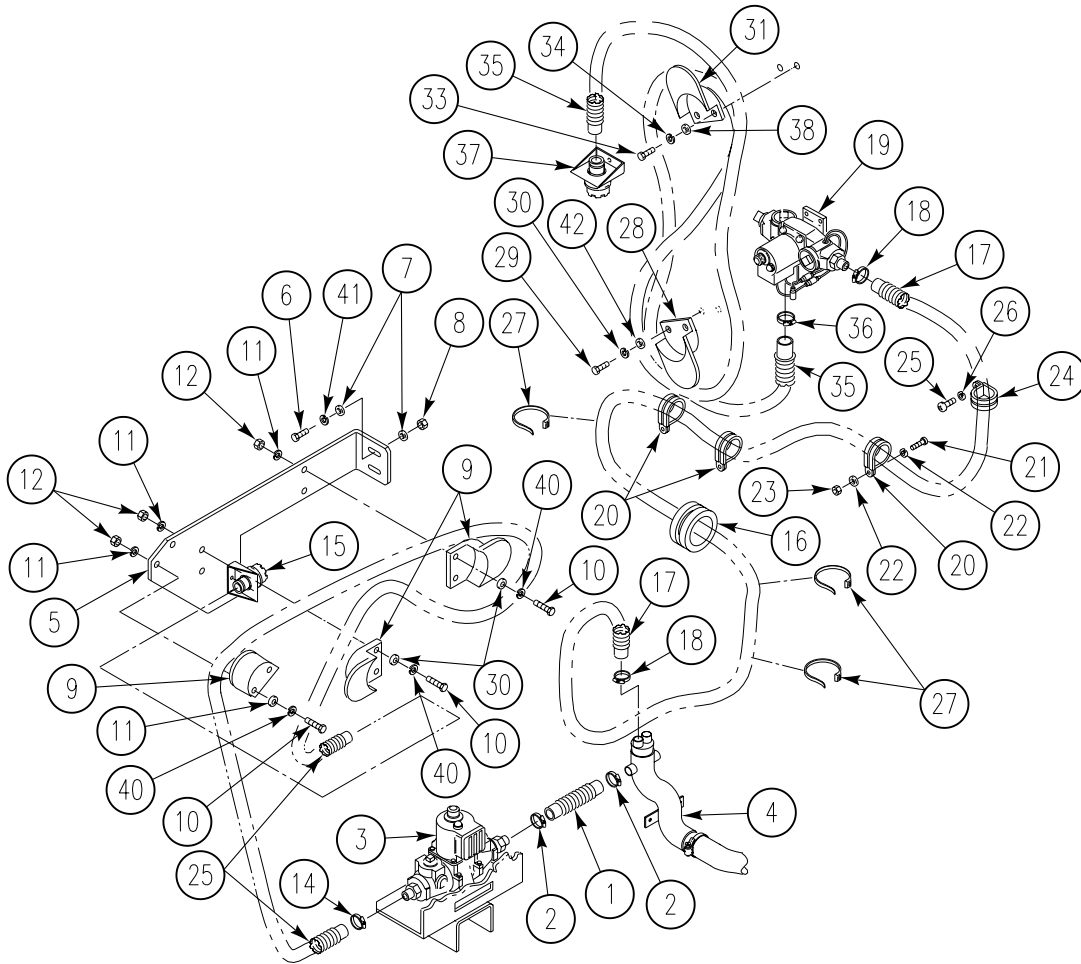
1. Install rear operator's inlet hose (14) and two clamps (18) on rear operator's heater (4) and manifold (19). Tighten clamps.
2. Install two clamps (17) on rear operator's inlet hose (14). Secure clamps on sponson with two screws (15) and new lockwashers (16).
3. Secure electrical leads to rear operator's inlet hose (14) with new straps (13).
4. If bracket (9) was removed, install bracket on table supports with four screws (10), washers (11), and new lockwashers (12).
5. If either bracket (5) was removed, install bracket (5) on bracket (9) with two screws (6), washers (7), new lockwashers (20), and nuts (8).
6. Install rear operator's outlet hose (2) and two clamps (1) on connector (3) and rear operator's heater (4). Tighten clamps.



REPLACE M13 NBC HEATER HOSES (M1068A3 ONLY) — Continued

0790 00

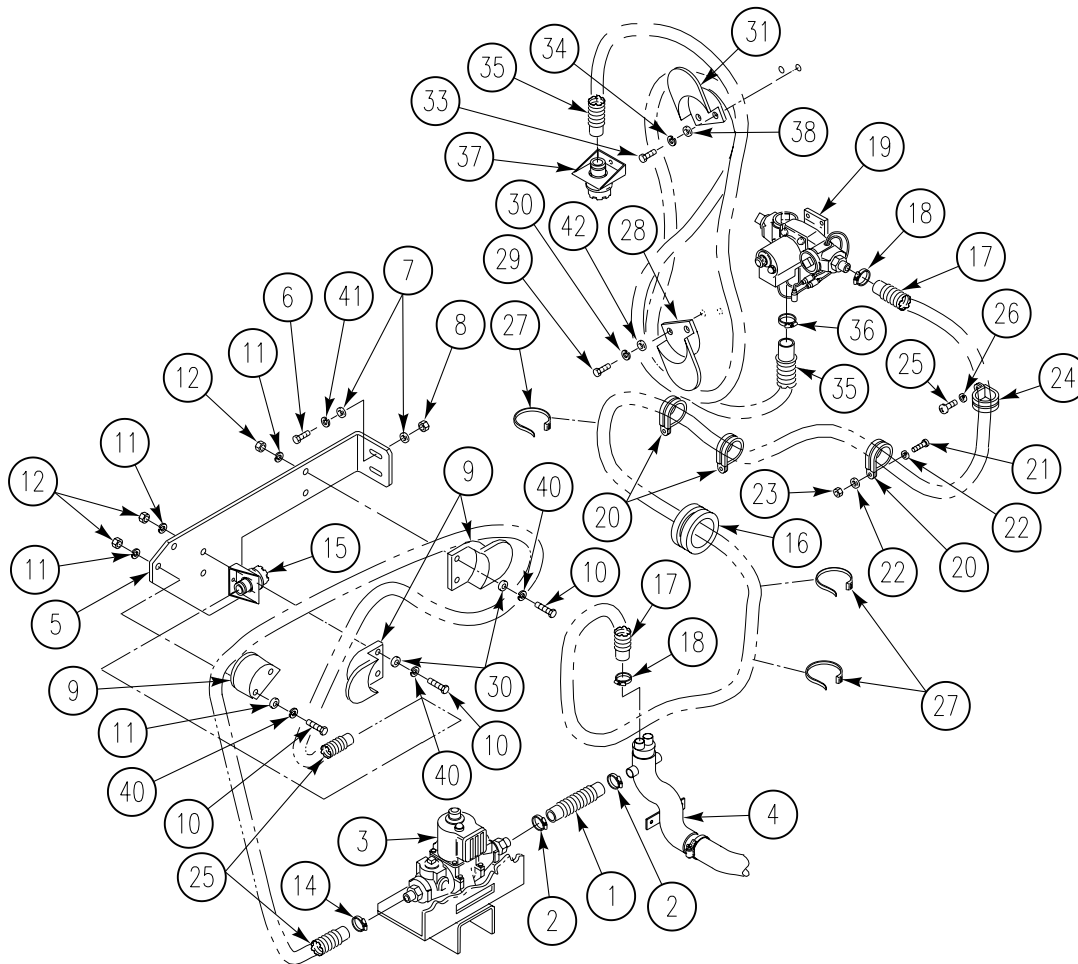
7. Install forward operator's inlet hose (1) and two clamps (2) on forward operator's heater (3) and manifold (4). Tighten clamps.
8. If bracket (5) was removed, install bracket on table supports with two screws (6), new lockwashers (41), four washers (7), and two nuts (8).
9. If any of three brackets (9) was removed, install bracket (9) on bracket (5) with two screws (10), four washers (11), two new lockwashers (40), and nuts (12).
10. Install forward operator's outlet hose (13) and clamp (14) on connector (15) and forward operator's heater (3). Tighten clamp.
11. If grommet (16) was removed, install new grommet on commander's inlet hose (17). Route hose through welded frame and insert grommet.
12. Install commander's inlet hose (17) and two clamps (18) on commander's heater (19) and manifold (4). Tighten clamps.



REPLACE M13 NBC HEATER HOSES (M1068A3 ONLY) — Continued

0790 00

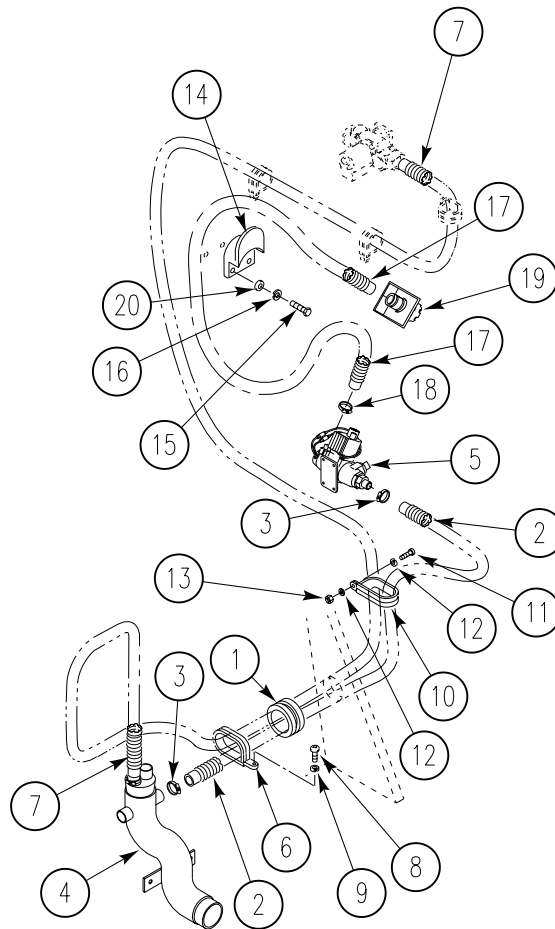
13. Install three clamps (20) on commander's inlet hose (17). Secure clamps on crossbeam with three screws (21), six washers (22), and three new locknuts (23).
14. Install clamp (24) on commander's inlet hose (17). Secure clamp on commander's bulkhead with screw (25) and new lockwasher (26).
15. Secure electrical leads to commander's inlet hose (17) with new straps (27).
16. If lower bracket (28) was removed, install bracket on commander's bulkhead with two screws (29), washers (42), and new lockwashers (30).
17. If upper bracket (31) was removed, install bracket on commander's bulkhead with two screws (33), washers (38) and new lockwashers (34).
18. Install commander's outlet hose (35) and clamp (36) on connector (37) and commander's heater (19). Tighten clamp.



REPLACE M13 NBC HEATER HOSES (M1068A3 ONLY) — Continued

0790 00

19. If grommet (1) was removed, install new grommet on driver's inlet hose (2). Route hose through welded frame and insert grommet in frame.
20. Install driver's inlet hose (2) and two clamps (3) on manifold (4) and driver's heater (5). Tighten clamps.
21. Install clamp (6) on driver's inlet hose (2) and commander's inlet hose (7). Secure clamp on sponson with screw (8) and new lockwasher (9).
22. Install clamp (10) on driver's inlet hose (2) and commander's inlet hose (7). Secure clamp on welded bracket with screw (11), two washers (12), and new locknut (13).
23. If bracket (14) was removed, install bracket on driver's bulkhead with two screws (15), washers (20) and new lockwashers (16).
24. Install driver's outlet hose (17) and clamp (18) on connector (19) and driver's heater (5). Tighten clamp.



FOLLOW-THROUGH STEPS

1. Connect battery ground lead (WP 0338 00).
2. Start engine (see your -10).
3. Raise and lock ramp (see your -10).
4. Stop engine (see your -10).
5. Check air flow of NBC systems. Follow procedures in TM 3-6680-316-10.

END OF TASK

REPLACE M3 NBC HEATER CONTROL BOX, REGULATOR, AND BRACKET (M113A3 ONLY)

0791 00

THIS WORK PACKAGE COVERS:

Removal (page 0791 00-1).
 Installation (page 0791 00-4).

INITIAL SETUP:

Maintenance Level

Unit

Personnel Required

Unit Mechanic

Tools and Special Tools

General Mechanic's Tool Kit (WP 0926 00, Item 65)

References

See your -10

Materials/Parts

Lockwashers (1)
 Lockwashers (1)
 Lockwashers (8)
 Lockwashers (8)
 Lockwashers (4)
 Straps (2)

Equipment Condition

Engine stopped (see your -10)
 Carrier blocked (see your -10)
 Battery ground strap disconnected (WP 0337 00)
 Open master switch panel assembly (WP 0260 00)

REMOVAL

NOTE

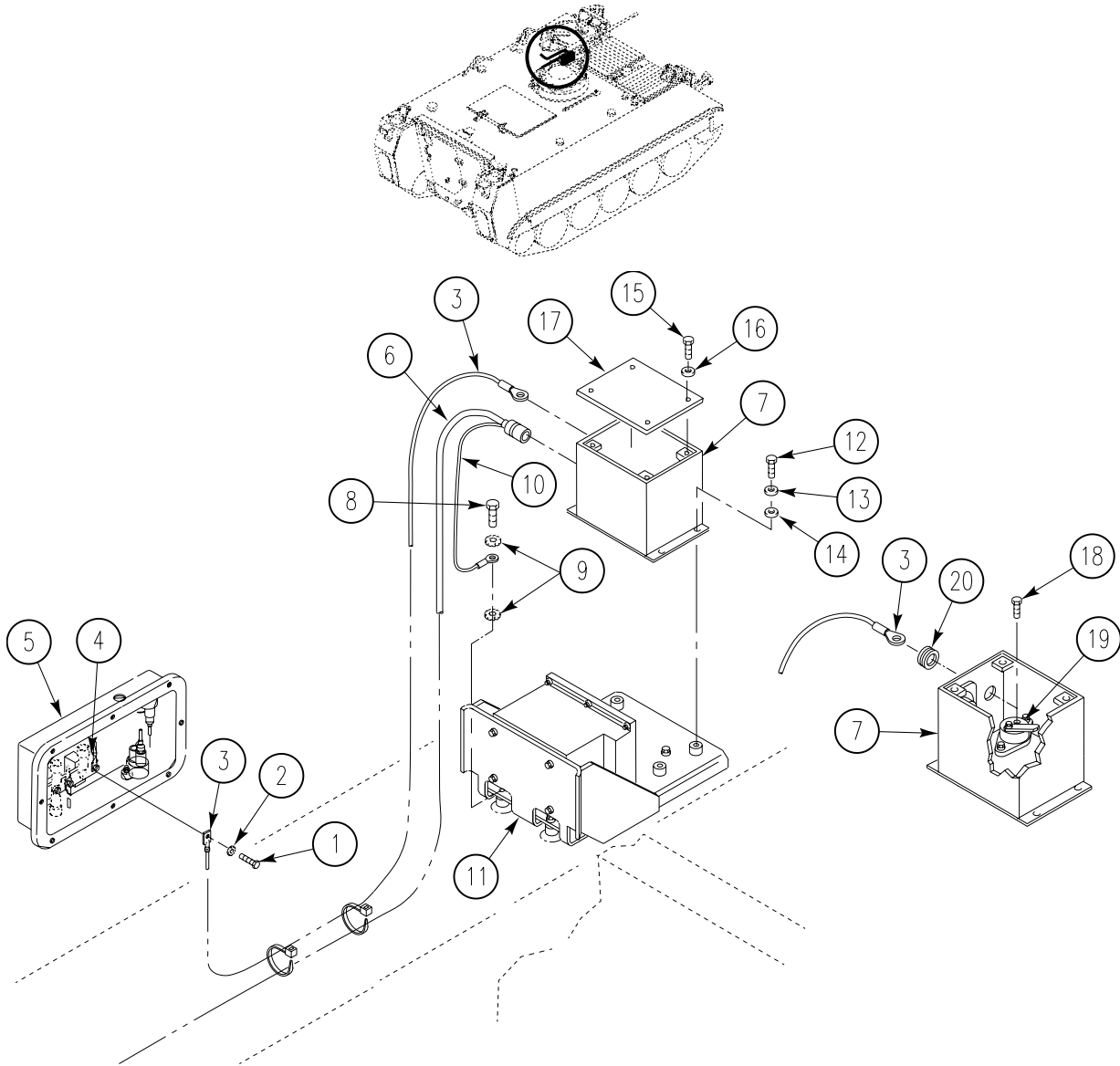
Tag all leads and cables before removing.

1. Remove screw (1), lockwasher (2), and circuit 536 cable (3) from bus bar (4) in distribution box (5). Discard lockwasher.
2. Disconnect wiring harness (6) from control box (7).
3. Remove four screws (12), four washers (13), four lockwashers (14) and control box (7) from bracket (11). Discard lockwashers.
4. Remove four screws (15), washers (16), and cover (17) from control box (7).

REPLACE M3 NBC HEATER CONTROL BOX, REGULATOR, AND BRACKET (M113A3 ONLY) — Continued

0791 00

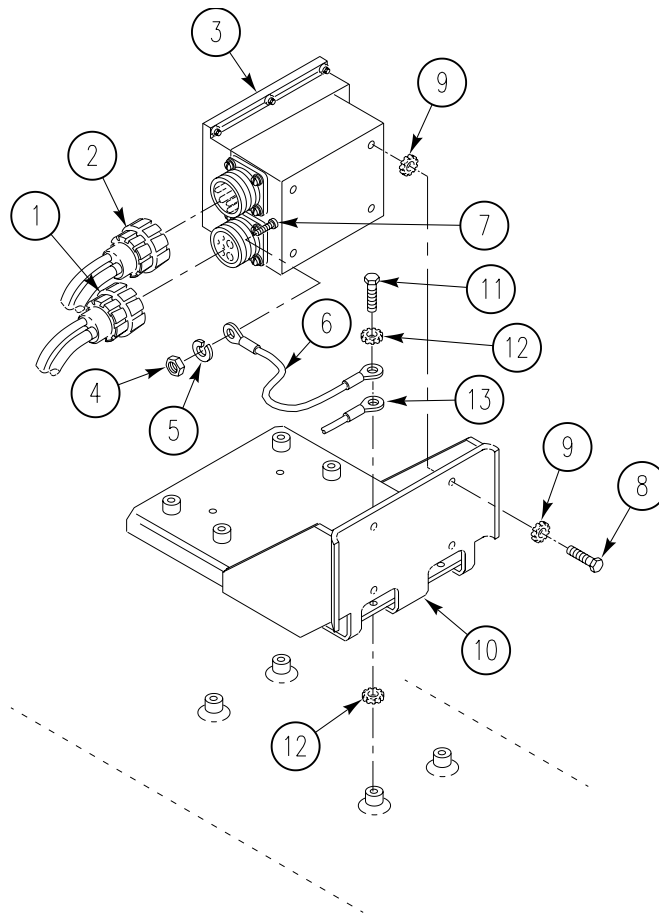
5. Remove screw (18) and terminal of 536 cable (3) from circuit breaker (19). Pull 536 cable and grommet (20) from control box (7).
6. Install cover (17), four washers (16), and screws (15) on control box (7).



NOTE

Procedures to remove the control box/regulator bracket, follow Steps 7 - 10.

7. Disconnect two cannon plugs (1) and (2) from regulator (3).
8. Remove nut (4), lockwasher (5), and ground strap (6) from stud (7) on regulator (3). Discard lockwasher.
9. Remove four screws (8), eight lockwashers (9) and regulator (3) from bracket (10). Discard lockwashers.
10. Remove four screws (11), eight lockwashers (12), two ground straps (6) and (13) and bracket (10) from hull.



INSTALLATION

NOTE

Procedures to install the control box/regulator bracket if removed, follow Steps 1 - 4.

NOTE

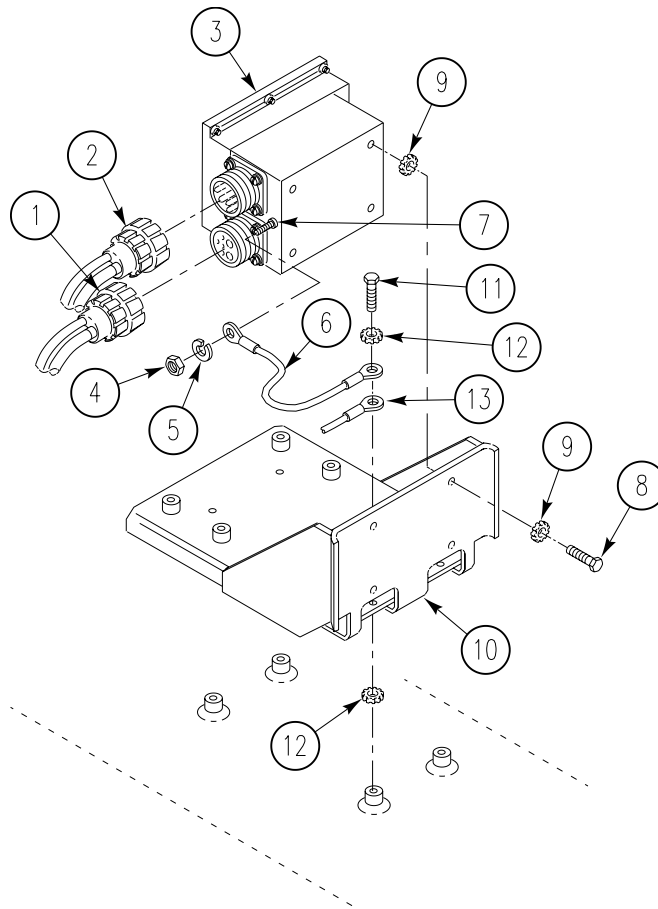
If installing a new bracket, clean paint around the areas the lockwasher will be mounted on both sides of the bracket for the hull, regulator, and control box mounting location. This is to insure proper grounding of both the regulator and NBC control box.

1. Place four new lockwashers (12) on the hull weldment studs. Position the bracket (10) and secure with four new lockwashers (12), two ground straps (6) and (13), and four screws (11).

NOTE

Place a lockwasher on both sides of the bracket to insure good grounding when securing the regulator.

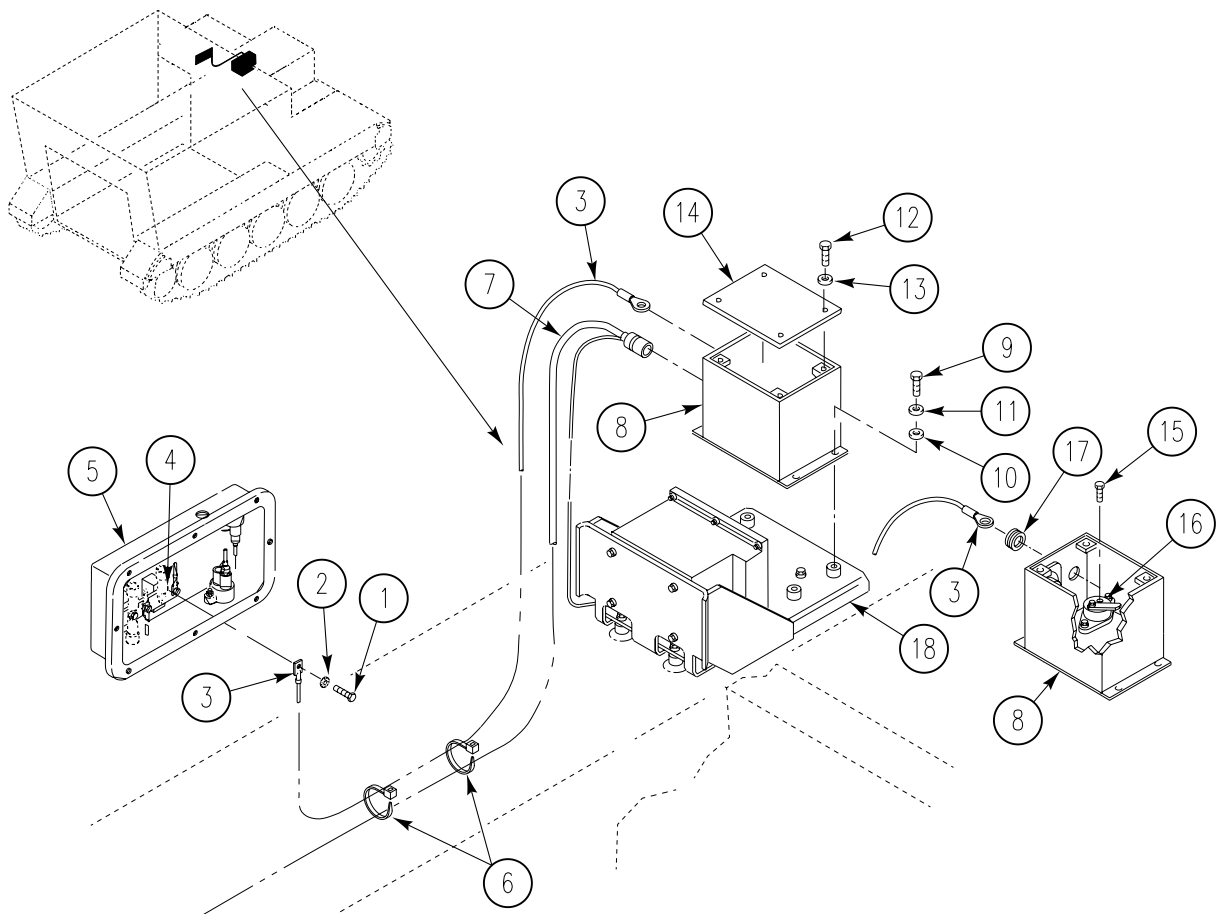
2. Install regulator (3), eight new lockwashers (9), and four screws (8) on bracket (10).
3. Install ground strap (6) new lockwasher (5), and nut (4) on regulator (3).
4. Connect two cannon plugs (1) and (2) regulator (3).



REPLACE M3 NBC HEATER CONTROL BOX, REGULATOR, AND BRACKET (M113A3 ONLY) — Continued

0791 00

5. Remove four screws (1), washers (2), and cover (3) from control box (4).
6. Install 536 cable (5) and grommet (6) in control box (4). Position terminal of 536 cable in circuit breaker (7). Install screw (8) and cable on circuit breaker.
7. Install cover (3), four washers (2), and screws (1) on control box (4).
8. Install control box (4), four screws (9) washers (10), and new lockwashers (11) on bracket (12).
9. Connect wiring harness (13) to control box (4).
10. Install 536 cable (5), screw (14), and new lockwasher (15) on bus bar (16) in distribution box (17).


FOLLOW-THROUGH STEPS

1. Install master switch panel (WP 0260 00).
2. Connect battery ground strap (WP 0337 00).
3. Start engine (see your -10).
4. Raise and lock ramp (see your -10).
5. Stop engine (see your -10).

END OF TASK

REPLACE M3 NBC HEATER CONTROL BOX (M577A3 ONLY)

0792 00

THIS WORK PACKAGE COVERS:

Removal (page 0792 00-1).
 Installation (page 0792 00-2).

INITIAL SETUP:

Maintenance Level

Unit

References

See your -10

Tools and Special Tools

General Mechanic's Tool Kit (WP 0926 00, Item 65)

Equipment Condition

Engine stopped (see your -10)

Materials/Parts

Locknut (4)

Lockwasher

Carrier blocked (see your -10)

Personnel Required

Unit Mechanic

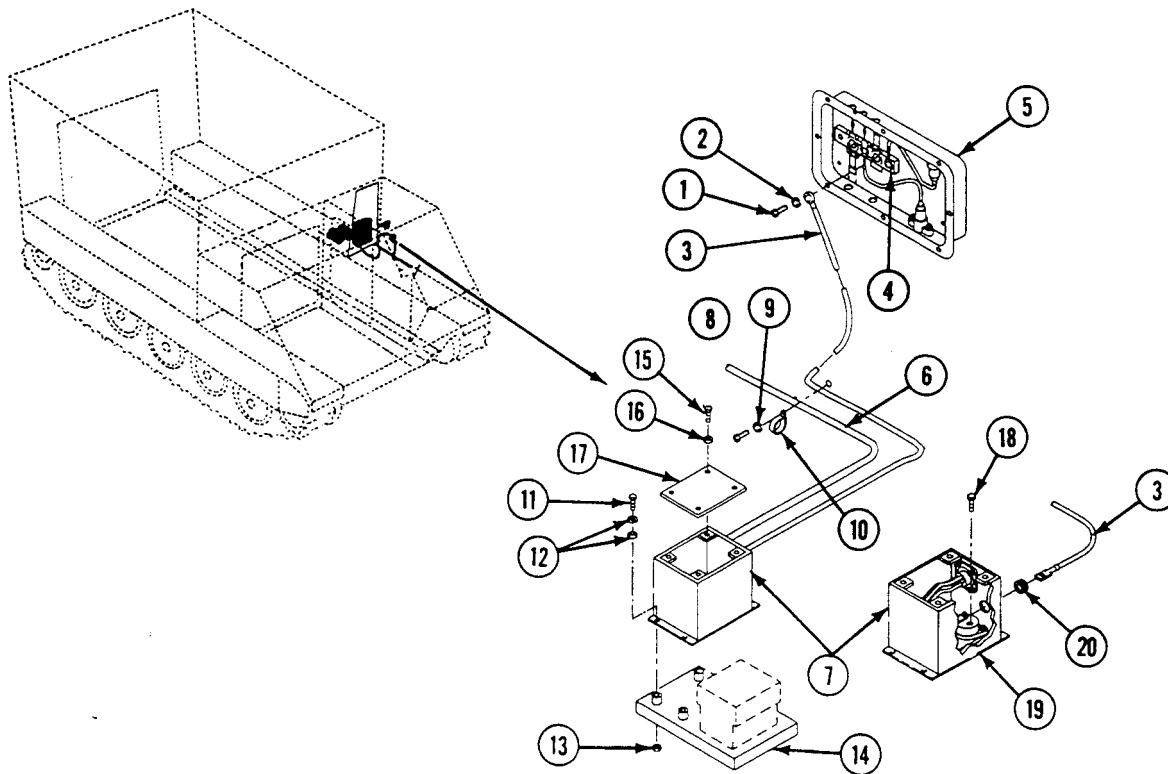
Battery ground lead disconnected (WP 0338 00)

Master switch panel assembly removed (WP 0261 00)

REMOVAL

1. Remove screw (1), washer (2), and cable (3) from bus bar (4) in distribution box (5).
2. Disconnect cable (6) from control box (7).
3. Remove screw (8), lockwasher (9), and clamp (10) with cables (3) and (6) from weldnut. Remove clamp from cables. Discard lockwasher.
4. Remove four screws (11), eight washers (12), four locknuts (13), and control box (7) from bracket (14). Discard locknuts.
5. Remove four screws (15), washers (16), and cover (17) from control box (7).
6. Remove screw (18) and terminal of cable (3) on circuit breaker (19). Pull cable and grommet (20) from control box (7).

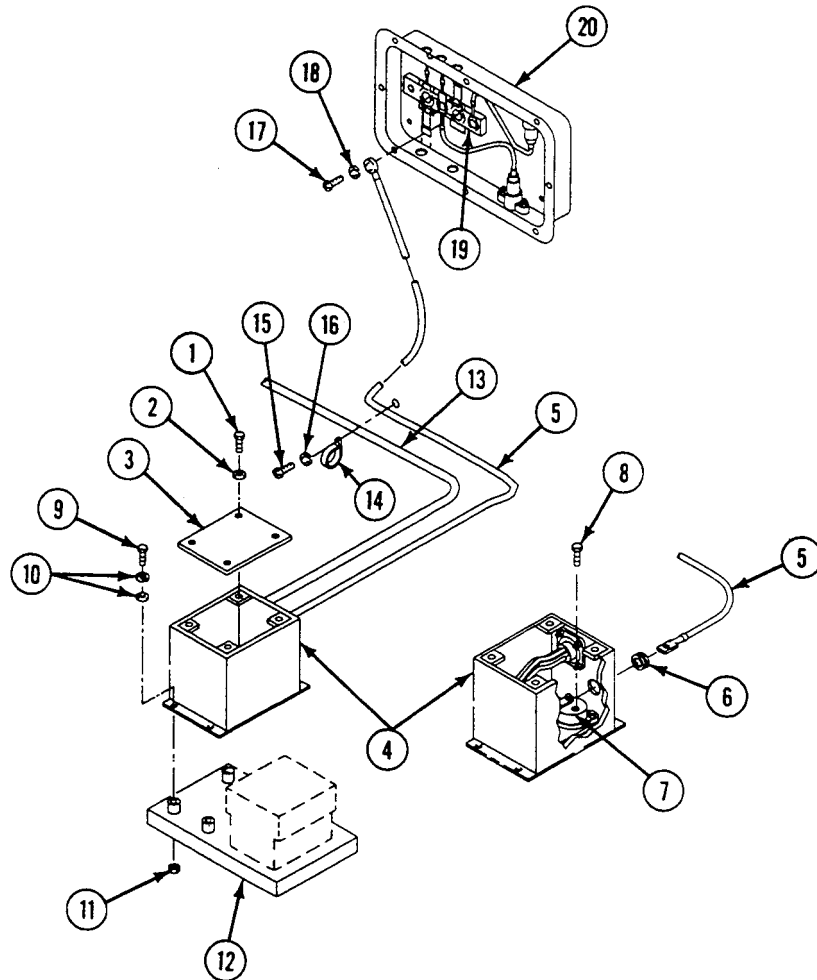
7. Install cover (17), four washers (16), and screws (15) on control box (7).



INSTALLATION

1. Remove four screws (1), washers (2), and cover (3) from control box (4).
2. Install cable (5) and grommet (6) in control box (4). Position terminal of cable on circuit breaker (7). Install cable and screw (8) on circuit breaker.
3. Install cover (3), four washers (2), and screws (1) on control box (4).
4. Install control box (4), four screws (9), eight washers (10), and four new locknuts (11) on bracket (12).
5. Connect cable (13) to control box (4).
6. Install clamp (14) on cables (5) and (13). Secure clamp to weldnut with screw (15) and new lockwasher (16).

7. Install cable (5), screw (17), and washer (18) on bus bar (19) in distribution box (20).



FOLLOW-THROUGH STEPS

1. Install master switch panel (WP 0261 00).
2. Connect battery ground lead (WP 0338 00).

END OF TASK

REPLACE M3 NBC HEATER CONTROL BOX (M1068A3 ONLY)

0793 00

THIS WORK PACKAGE COVERS:

Removal (page 0793 00-1).
 Installation (page 0793 00-3).

INITIAL SETUP:

Maintenance Level
 Unit

References
 See your -10

Tools and Special Tools
 General Mechanic's Tool Kit (WP 0926 00, Item 65)

Equipment Condition

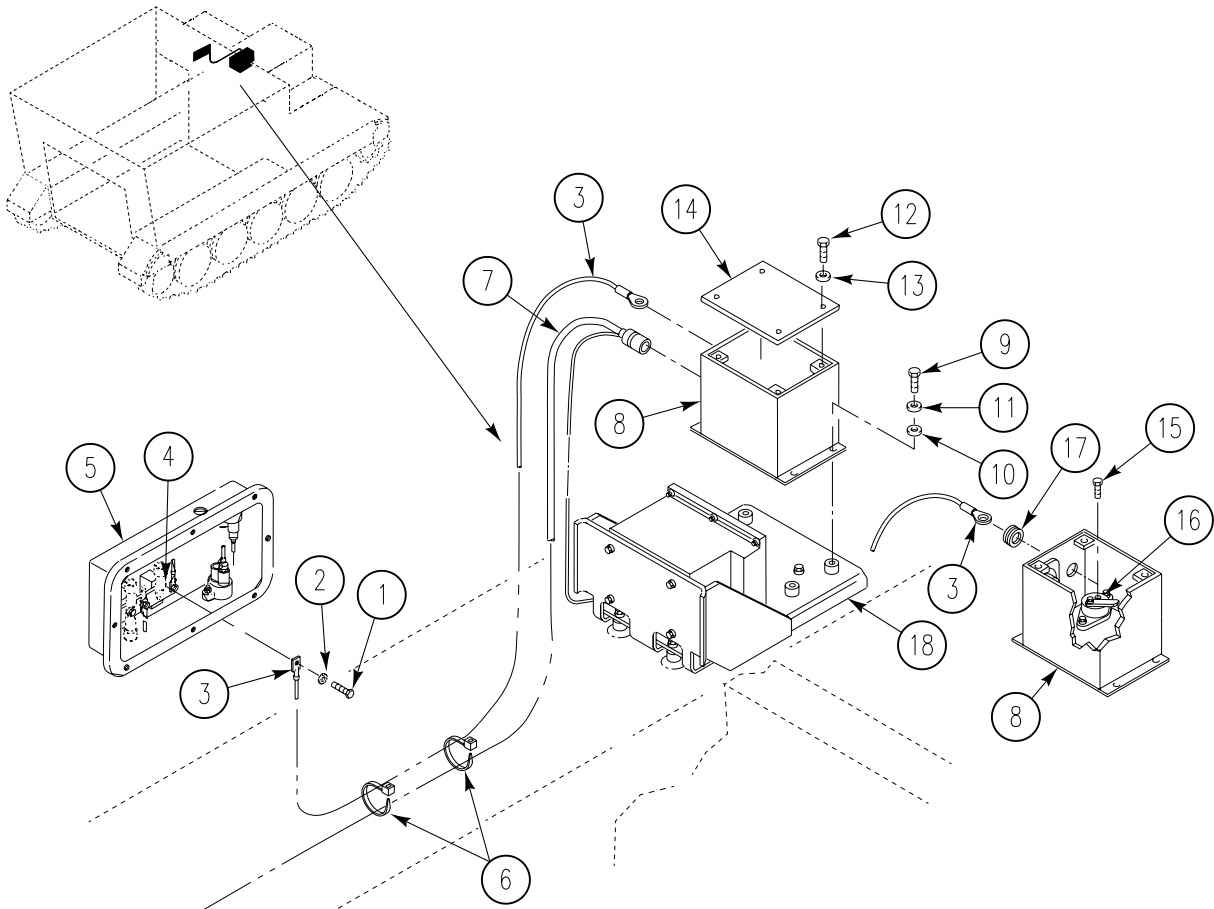
Materials/Parts
 Lockwasher (5)
 Tie Strap (as required)

Engine stopped (see your -10)
 Carrier blocked (see your -10)
 Battery ground lead disconnected (WP 0338 00)
 Open master switch panel assembly (WP 0261 00)

Personnel Required
 Unit Mechanic

REMOVAL

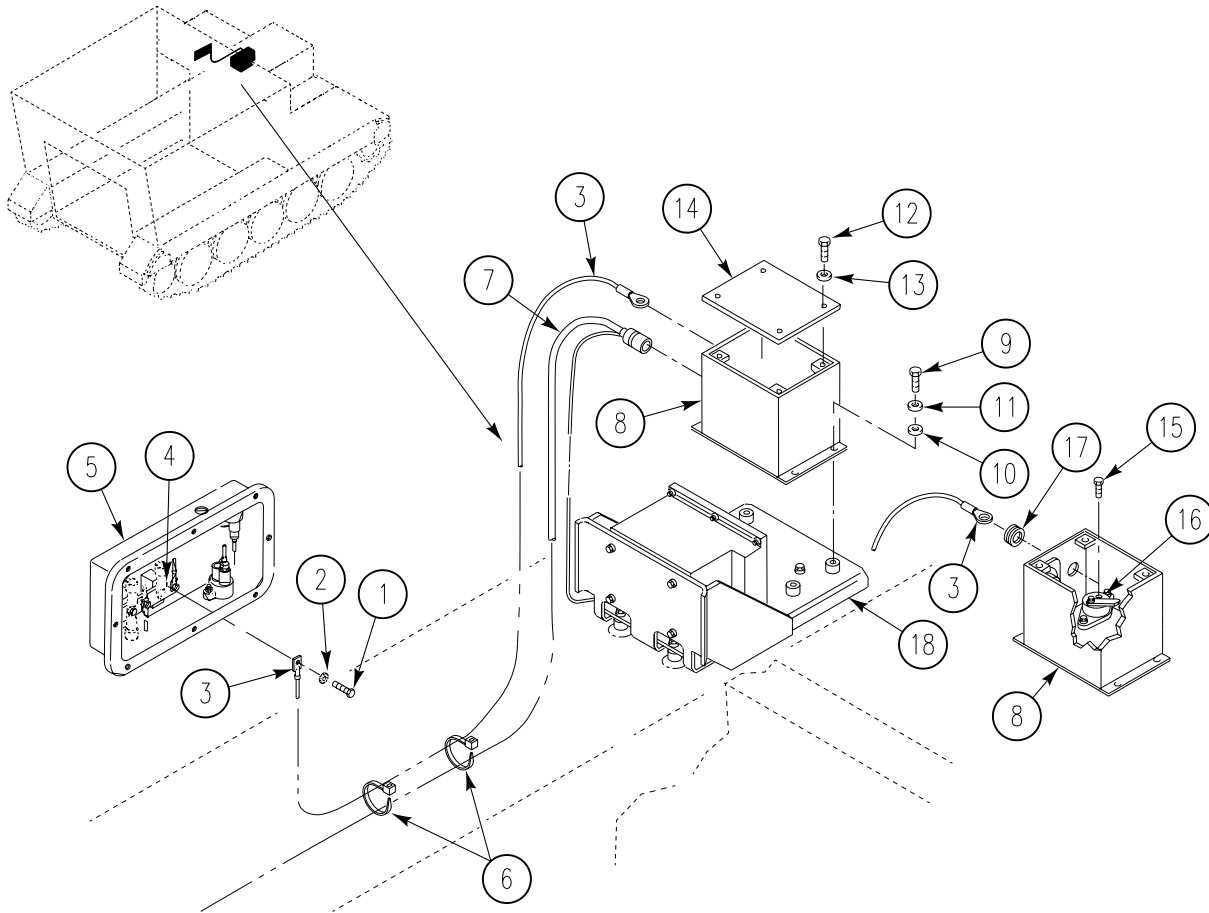
1. Remove screw (1), lockwasher (2), and cable (3) from bus bar (4) in distribution box (5). Discard lockwasher.
2. Cut straps (6) that secure cable (3) to wiring harness (7). Discard straps.
3. Disconnect wiring harness (7) from control box (8).



REPLACE M3 NBC HEATER CONTROL BOX (M1068A3 ONLY) — Continued

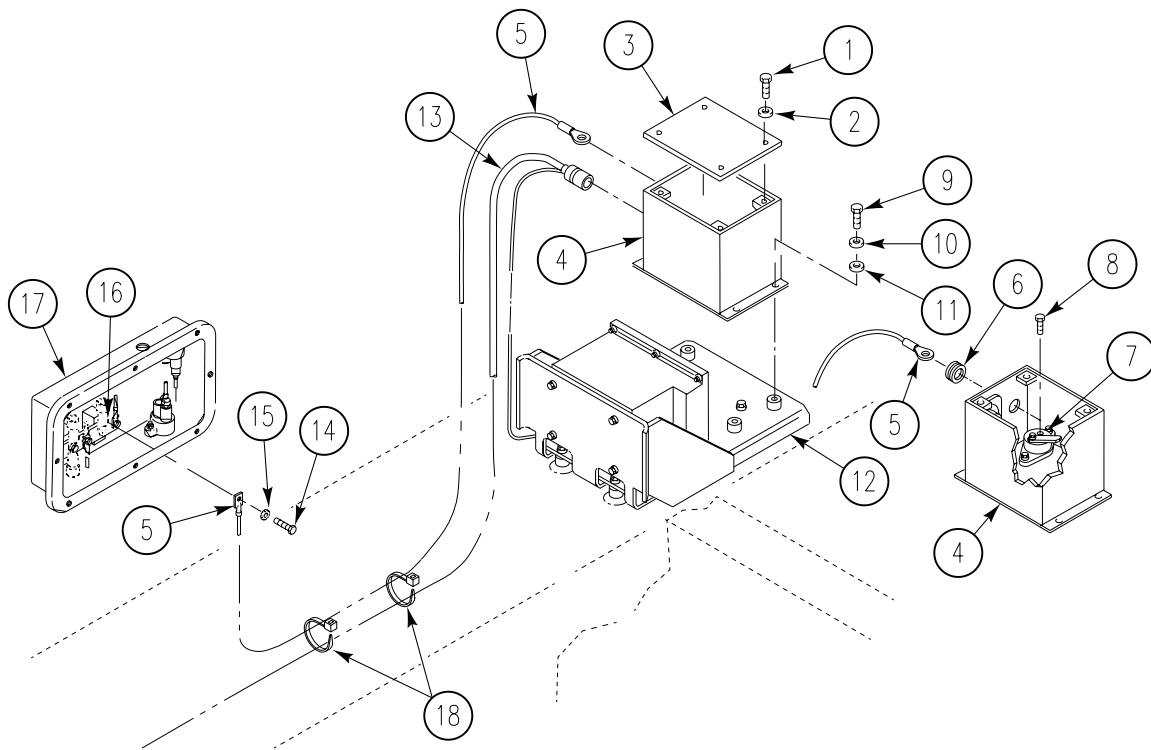
0793 00

4. Remove four screws (9), washers (11), lockwashers (10), and control box (8) from bracket (18) on driver's sponson. Discard lockwashers.
5. Remove four screws (12), washers (13), and cover (14) from control box (8).
6. Remove screw (15) and terminal of cable (3) from circuit breaker (16). Pull cable and grommet (17) from control box (8).
7. Install cover (14), four washers (13), and screws (12) on control box (8).



INSTALLATION

1. Remove four screws (1), washers (2), and cover (3) from control box (4).
2. Install cable (5) and grommet (6) in control box (4). Position terminal of cable on circuit breaker (7) and secure with screw (8).
3. Install cover (3), four washers (2), and screws (1) on control box (4).
4. Install four screws (9), new lockwashers (10), washers (11), and control box (4) on bracket (12) on driver's sponson.
5. Connect wiring harness (13) to control box (4).
6. Secure cable (5) to wiring harness (13) with new straps (18).
7. Install screw (14), new lockwasher (15), and cable (5) on bus bar (16) in distribution box (17).



FOLLOW-THROUGH STEPS

1. Install master switch panel (WP 0261 00).
2. Connect battery ground lead (WP 0338 00).

END OF TASK

REPLACE M3 NBC HEATERS AND CONTROLLERS (M113A3 ONLY)

0794 00

THIS WORK PACKAGE COVERS:

Removal (page 0794 00-2).
 Installation (page 0794 00-4).

INITIAL SETUP:

Maintenance Level

Unit

Personnel Required

Unit Mechanic

Tools and Special Tools

General Mechanic's Tool Kit (WP 0926 00, Item 65)

References

see your -10
 TM 3-6680-316-10

Materials/Parts

Locknut (16)
 Lockwasher (6)
 Tie straps (as required)

Equipment Condition

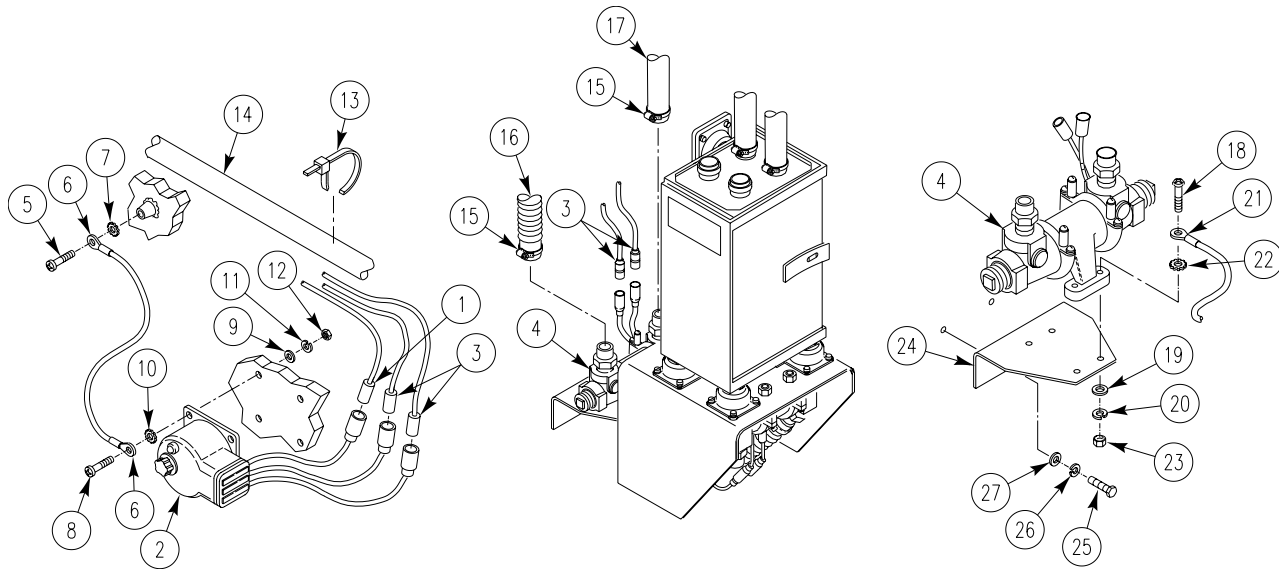
Engine stopped (see your -10)
 Carrier blocked (see your -10)
 Battery ground strap disconnected (WP 0337 00)

REMOVAL

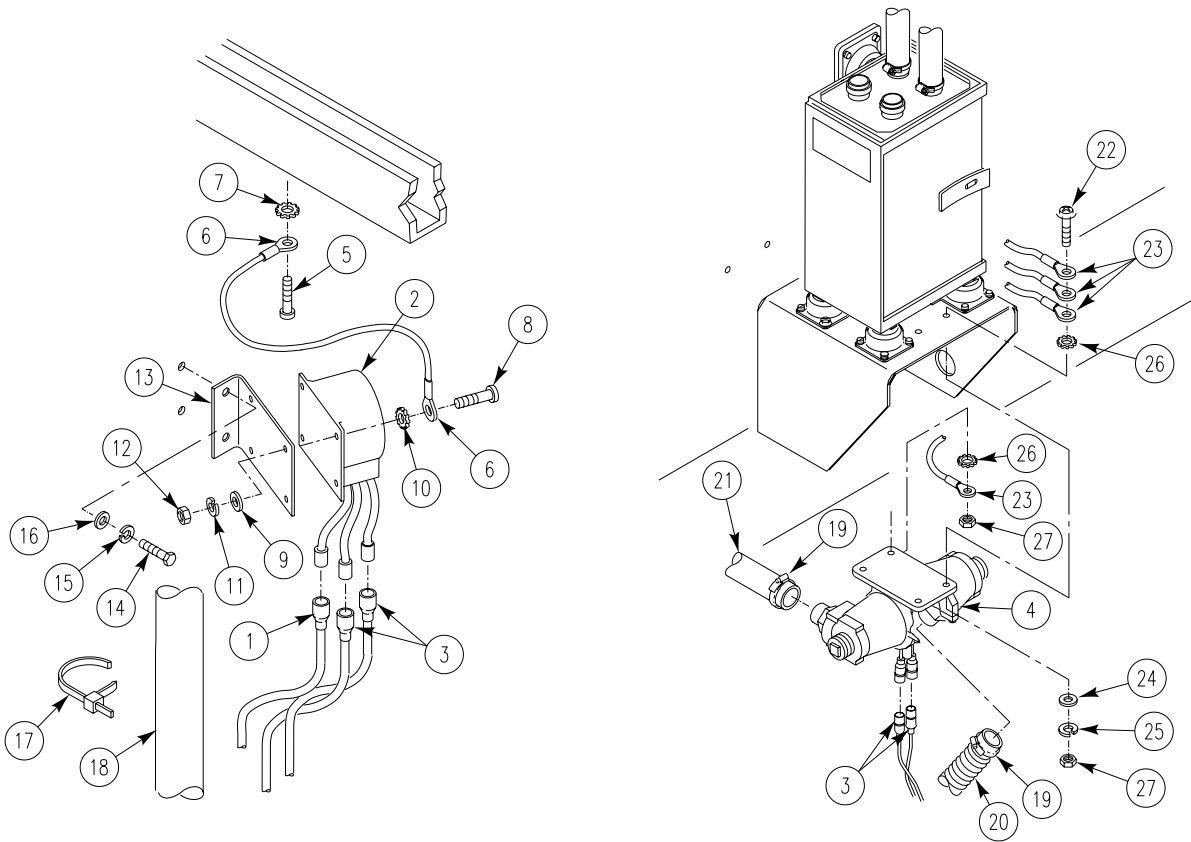
NOTE

Tag all leads before removing.

1. Disconnect lead 537A (1) from commander's controller (2).
2. Disconnect two leads (3) from commander's controller (2) and commander's heater (4).
3. Remove screw (5), ground lead (6), and lockwasher (7) from weld nut. Discard lockwasher.
4. Remove four screws (8), seven washers (9), one lockwasher (10), ground lead (6), four lockwashers (11), nuts (12), and commander's controller (2) from rear engine bulkhead.
5. Cut straps (13) and separate two leads (3) from adjacent hose (14). Discard straps.
6. Loosen clamps (15) and remove commander's station hose (16) and commander's station inlet hose (17) from commander's heater.
7. Remove four screws (18), seven washers (19), four lockwashers (20), ground lead terminal (21), one lockwasher (22), four nuts (23), and commander's heater (4) from bracket (24). Discard lockwashers.
8. If damaged, remove two screws (25), lockwashers (26), washers (27), and bracket (24) from bulkhead. Discard lockwashers.



9. Disconnect lead 537B (1) from driver's controller (2).
10. Disconnect two leads (3) from driver's controller (2) and driver's heater (4).
11. Remove screw (5), ground lead terminal (6), and lockwasher (7) from hull.
12. Remove four screws (8), seven washers (9), ground lead terminal (6), lockwasher (10), four lockwashers (11), four nuts (12), and driver's controller (2) from bracket (13). Discard lockwashers.
13. If damaged, remove two screws (14), lockwashers (15), washers (16), and bracket (13). Discard lockwashers.
14. Cut straps (17) and separate two leads from adjacent hose (18). Discard straps.
15. Loosen clamps (19) and remove driver's station outlet hose (20) and driver's station inlet hose (21) from driver's heater (4).
16. Remove four screws (22), three ground lead terminals (23), four washers (24), four lockwashers (25), one ground lead terminal (23), two lockwashers (26), four nuts (27) and driver's heater (4) from welded mount. Discard lockwashers.



INSTALLATION**NOTE**

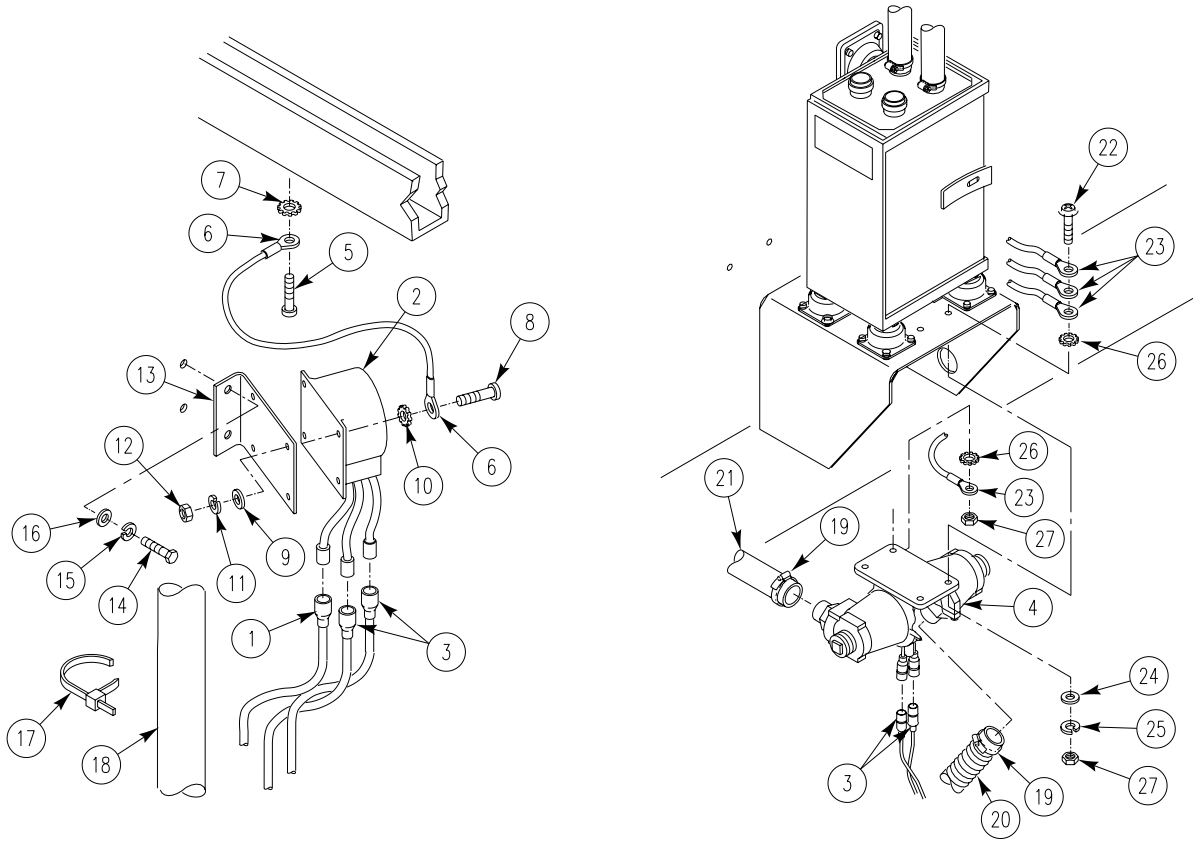
Before installing driver's station heater, make sure both end adapters are adjusted for routing the hose under the welded bracket and toward the roadside hull. If installing a new heater, remove the controller portion from the heater and adjust the adapters for routing.

NOTE

To insure a good electrical ground, remove paint from around mounting hole. Install toothed washer against surface where paint was removed, then ground lead terminal. The longer screw is where the combined ground leads are secured. Do not include both ends of the driver's heaters ground lead terminal to the same location.

1. If installing a new heater, disassemble the controller from the heater body. Discard the hardware securing the controller to the heater and use the hardware listed in TM 9-2350-277-24P for securing the controller.
2. Install two screws (22), four washers (24), two lockwashers (26), two nuts (27), and driver's heater (4) on welded mount.
3. Install screw (22), ground lead terminal (23), new lockwasher (26), washer (24), new lock washer (26), and nut (27) securing the driver's heater (4) on welded mount.
4. Install the longer screw (22), three ground lead terminals (23), new lock washer (26), washer (24), new lockwasher (26), and nut (27) securing the driver's heater (4) on welded mount.
5. Install driver's outlet hose (20) and driver's inlet hose (21) on driver's heater (4) and tighten clamps (19).
6. If removed, install two screws (14), new lockwashers (15), washers (16), bracket (13) on bulkhead.
7. Install four screws (10), four new lockwashers (10), four washers (12), one ground lead terminal (6), one new lockwasher (11) as shown in the art, and driver's controller (2) on bracket (13).
8. Connect two leads (3) to driver's controller (2) and driver's heater (4).
9. Connect lead 537B (1) to driver's controller (2).

10. Install new straps (17) and leads (1) and (3) on adjacent hose (18).



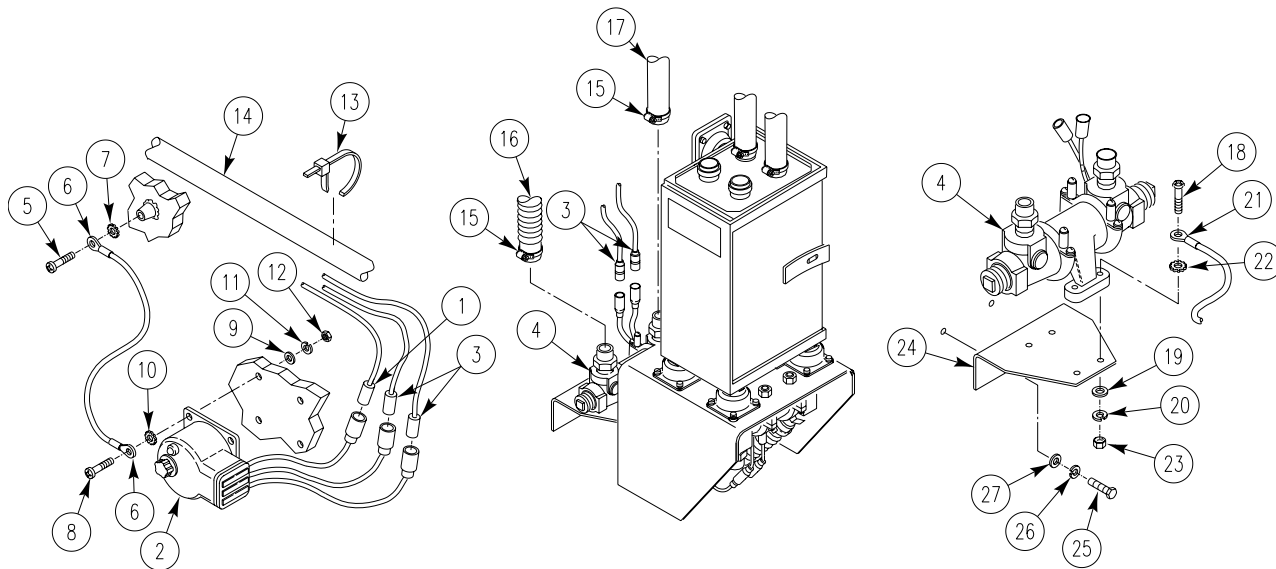
REPLACE M3 NBC HEATERS AND CONTROLLERS (M113A3 ONLY) — Continued**0794 00**

11. If removed, install two screws (25), new lockwashers (26), washers (24), and bracket (24) on bulkhead.
12. Install four screws (25), one ground lead (21), one new lockwasher (22), seven washers (19), four new lockwashers (20), four nuts (23) and commander's heater (4) on bracket (24).
13. Connect commander's station outlet hose (16) and commander's station inlet hose (17) on commander's heater (4) and tighten clamps (15).

NOTE

Clean off paint on mounting surface of controller to allow the lockwasher with ground lead to make contact and positive electrical grounding.

14. Install four screws (8), one ground lead terminal (6), one new lockwasher (10), seven washers (9), four new lockwashers (10), four nuts (11), and commander's controller (2) on engine bulkhead.
15. Connect ground lead (6), new lockwasher (7) and screw (5) on weld nut.
16. Connect two leads (3) to commander's controller (2) and commander's heater (4).
17. Connect lead 537A (1) to commander's controller (2).
18. Install new straps (13) on leads (1) and (3) and adjacent hose (14).

**FOLLOW-THROUGH STEPS**

1. Connect battery ground strap (WP 0337 00).
2. Adjust air purifier. See TM 3-6810-316-10.
3. Check air flow of NBC system. Follow procedures in TM 3-6680-316-10.

END OF TASK

**REPLACE M3 NBC HEATERS AND CONTROLLERS (M113A3
AMBULANCES ONLY)**

0795 00

THIS WORK PACKAGE COVERS:

Removal (page 0795 00-1).
Installation (page 0795 00-4).

INITIAL SETUP:

Maintenance Level

Unit

Personnel Required

Unit Mechanic

Tools and Special Tools

General Mechanic's Tool Kit (WP 0926 00, Item 65)

References

See your -10
TM 3-6680-316-10

Materials/Parts

Locknut (20)
Lockwasher (8)
Tie straps (as required)

Equipment Condition

Engine stopped (see your -10)
Carrier blocked (see your -10)
Battery ground strap disconnected (WP 0337 00)

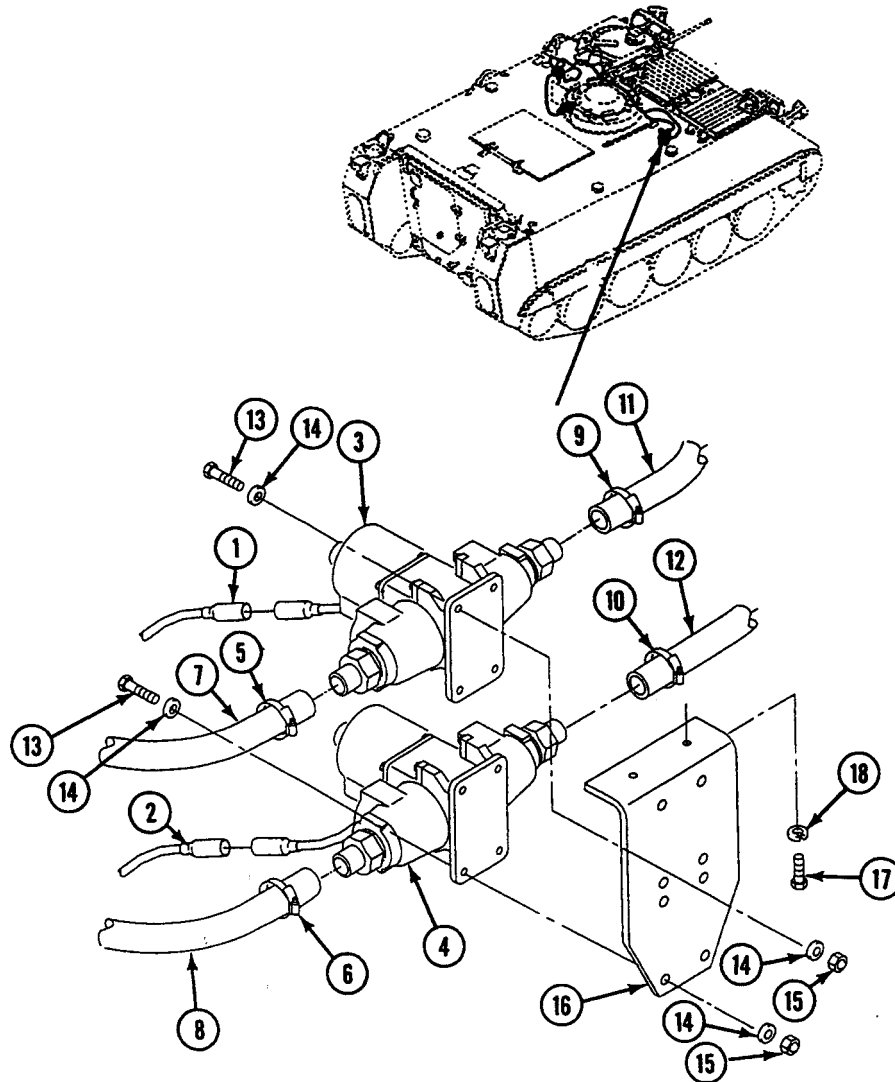
REMOVAL

1. Disconnect circuit lead 537A (1) and circuit lead 537B (2) from upper and lower heaters (3) and (4) on right side of vehicle.
2. Loosen clamps (5) and (6). Remove upper and lower outlet hoses (7) and (8) from upper and lower heater (3) and (4).
3. Loosen clamps (9) and (10). Remove upper and lower inlet hoses (11) and (12) from upper and lower heaters (3) and (4).
4. Remove eight screws (13), 16 washers (14), eight locknuts (15), upper and lower heater (3) and (4) from bracket (16). Discard locknuts.

REPLACE M3 NBC HEATERS AND CONTROLLERS (M113A3 AMBULANCES ONLY) —
Continued

0795 00

5. If damaged, remove two screws (17), lockwashers (18), and bracket (16) from hull top plate. Discard lockwashers.

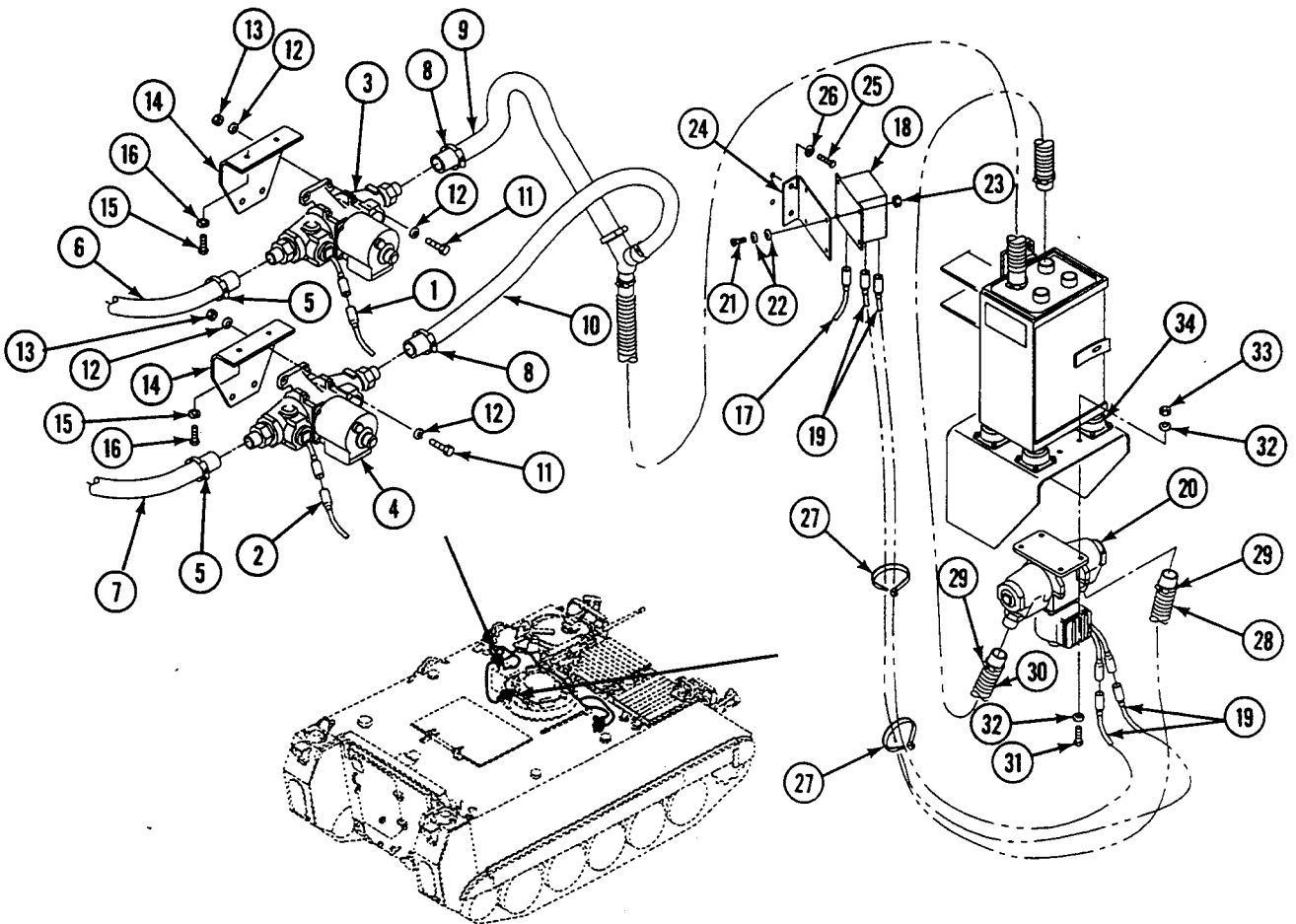


6. Disconnect circuit lead 537C (1) and circuit lead 537D (2) from forward and rear heaters (3) and (4) on left side of vehicle.
7. Loosen clamps (5). Remove forward and rear outlet hoses (6) and (7) from forward and rear heaters (3) and (4).
8. Loosen clamps (8). Remove forward and rear inlet hoses (9) and (10) from forward and rear heaters (3) and (4).
9. Remove eight screws (11), 16 washers (12), eight locknuts (13), and upper heater (3), and lower heater (4) from two brackets (14). Discard locknuts.
10. If damaged, remove four screws (15), lockwashers (16), and brackets (14) from bulkhead. Discard lockwashers.
11. Disconnect circuit lead 537G (17) from driver's controller (18).
12. Disconnect two leads (19) from driver's controller (18) and driver's heater (20).

REPLACE M3 NBC HEATERS AND CONTROLLERS (M113A3 AMBULANCES ONLY) —
Continued

0795 00

13. Remove four screws (21), eight washers (22), four locknuts (23), and driver's controller (18) from bracket (24). Discard locknuts.
14. If damaged, remove two screws (25), lockwashers (26), and bracket (24) from bulkhead. Discard lockwashers.
15. Cut tie straps (27) and remove two leads (19) from adjacent driver's outlet hose (28). Discard tie straps.
16. Loosen clamps (29). Remove driver's outlet hose (28) and driver's inlet hose (30) from driver's heater (20).
17. Remove four screws (31), eight washers (32), four locknuts (33), and driver's heater (20) from welded mount (34). Discard locknuts.

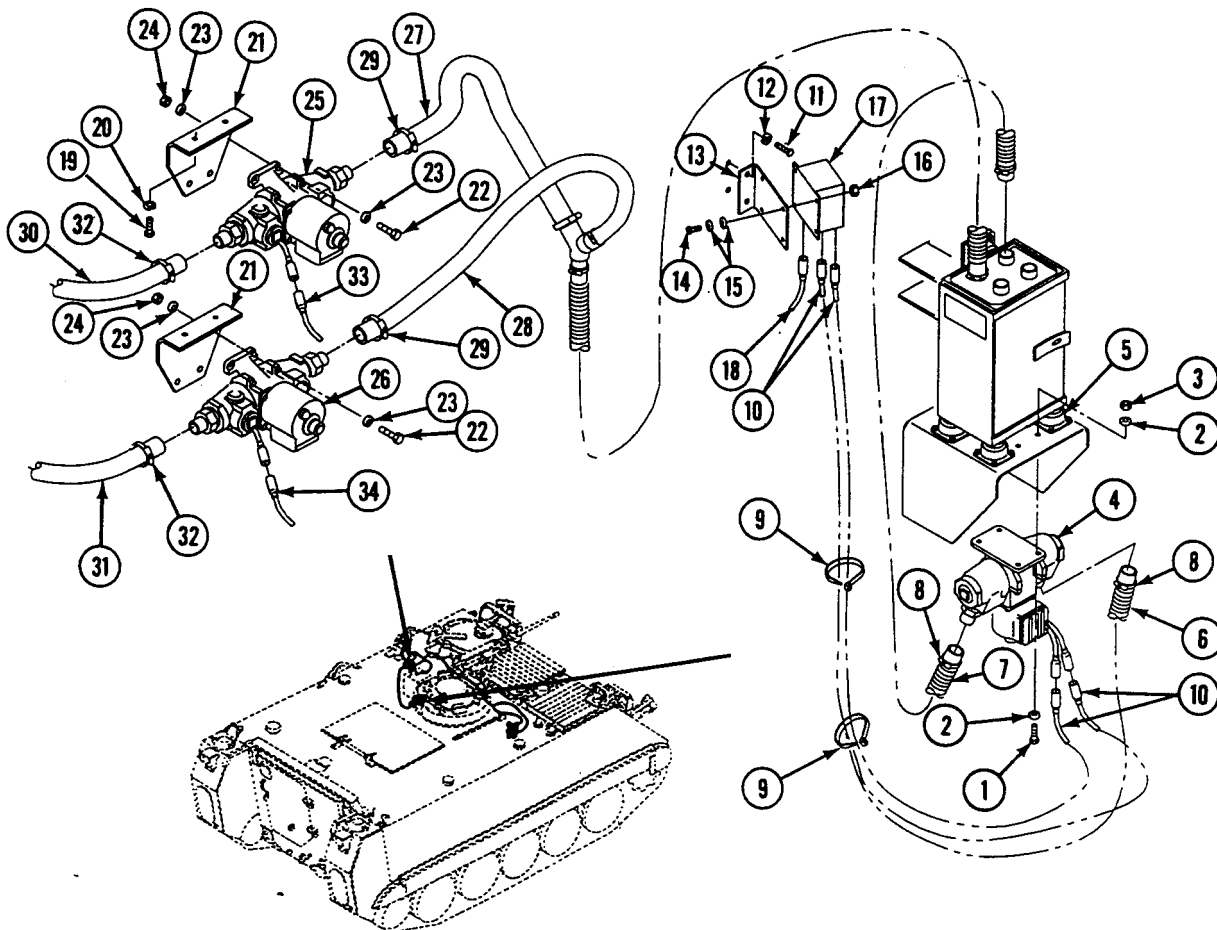


**REPLACE M3 NBC HEATERS AND CONTROLLERS (M113A3 AMBULANCES ONLY) —
Continued**

0795 00

INSTALLATION

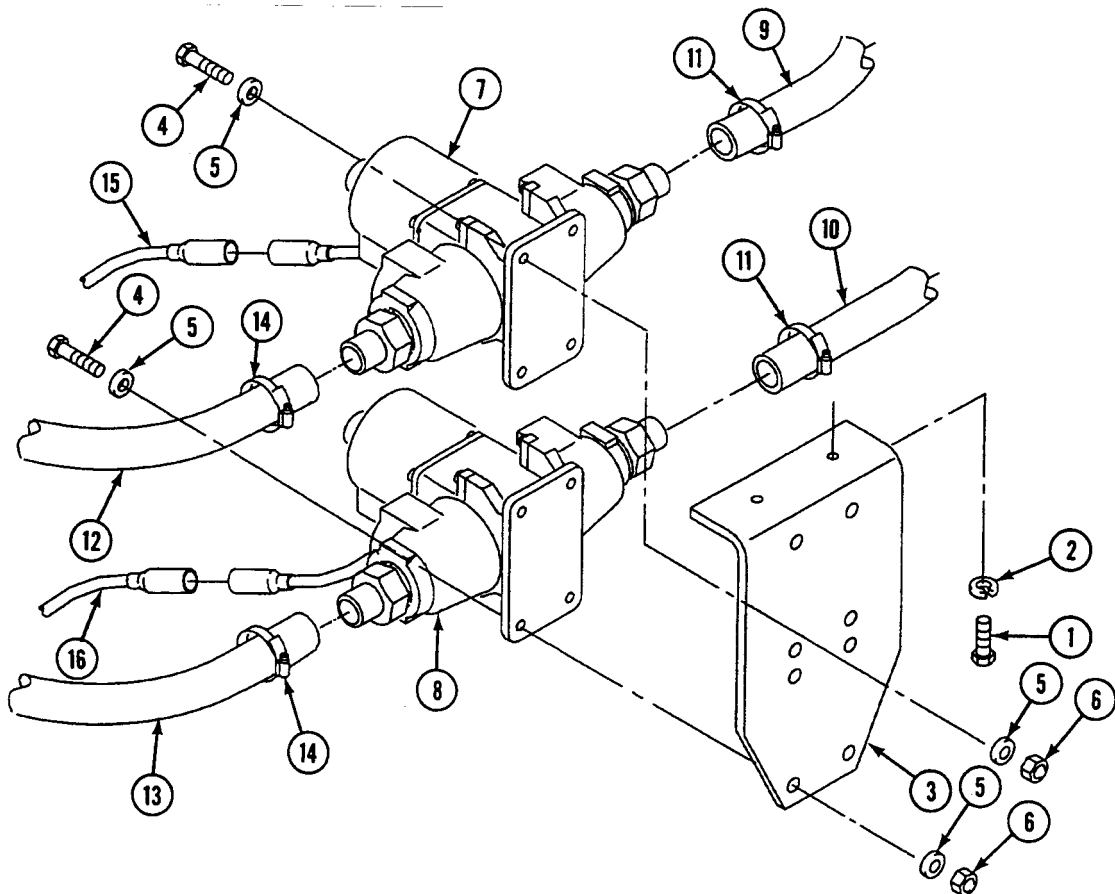
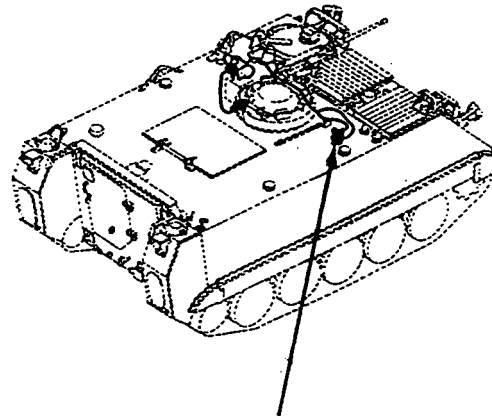
1. Install four screws (1), eight washers (2), four new locknuts (3), and driver's heater (4) on welded mount (5).
2. Install driver's outlet hose (6) and driver's inlet hose (7) on driver's heater (4). Tighten clamps (8).
3. Install new tie straps (9) on two leads (10) and adjacent heater hose (6).
4. If removed, install two screws (11), new lockwashers (12), and bracket (13) on bulkhead.
5. Install four screws (14), eight washers (15), four new locknuts (16), and driver's controller (17) on bracket (13).
6. Connect two leads (10) to driver's controller (17) and driver's heater (4).
7. Connect circuit lead 537G (18) to driver's controller (17).
8. If removed, install four screws (19), new lockwashers (20), and brackets (21) on bulkhead.
9. Install eight screws (22), 16 washers (23), eight new locknuts (24), and two heaters (25) and (26) on two brackets (21).
10. Install forward and rear inlet hoses (27) and (28) on forward and rear heaters (25) and (26). Tighten clamps (29).
11. Install forward and rear outlet hoses (30) and (31) on forward and rear heaters (25) and (26). Tighten clamps (32).
12. Connect circuit lead 537C (33) and circuit lead 537D (34) to forward and rear heaters (25) and (26) on left side of vehicle.



REPLACE M3 NBC HEATERS AND CONTROLLERS (M113A3 AMBULANCES ONLY) —
Continued

0795 00

13. If removed, install two screws (1), new lockwashers (2), and bracket (3) on hull top plate.
14. Install eight screws (4), 16 washers (5), eight new locknuts (6), upper and lower heater (7) and (8) on bracket (3).
15. Install upper and lower inlet hoses (9) and (10) on upper and lower heater (7) and (8). Tighten clamps (11).
16. Install upper and lower outlet hoses (12) and (13) on upper and lower heater (7) and (8). Tighten clamps (14).
17. Connect circuit lead 537A (15) and circuit lead 537B (16) to upper and lower heaters (7) and (8) on right side of vehicle.



REPLACE M3 NBC HEATERS AND CONTROLLERS (M113A3 AMBULANCES ONLY) —
Continued

0795 00

FOLLOW-THROUGH STEPS

1. Connect battery ground strap (WP 0337 00).
2. Check air flow of NBC system. Follow procedures in TM 3-6680-316-10.

END OF TASK

REPLACE M13 NBC HEATERS AND MOUNTS (M577A3 ONLY)

0796 00

THIS WORK PACKAGE COVERS:

- Removal (page 0796 00-1).
- Installation (page 0796 00-4).

INITIAL SETUP:

Maintenance Level

Unit

Personnel Required

Unit Mechanic

Tools and Special Tools

General Mechanic's Tool Kit (WP 0926 00, Item 65)

References

See your -10
TM 3-6680-316-10

Materials/Parts

- Locknut (2)
- Locknut (4)
- Locknut (6)
- Locknut (16)
- Lockwasher (2)
- Lockwasher (4)
- Grommet (AR)

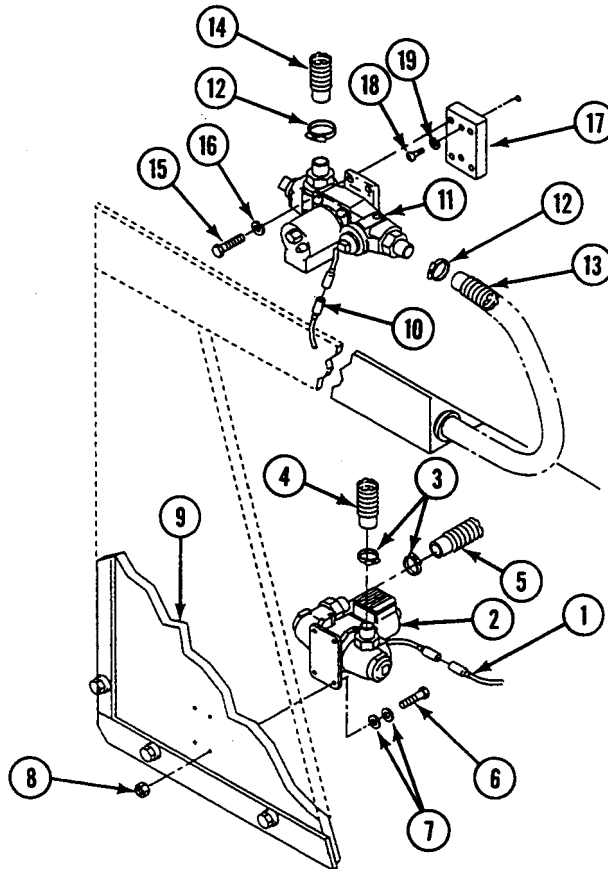
Equipment Condition

Engine stopped (see your -10)
Carrier blocked (see your -10)
Battery ground leads disconnected (WP 0338 00)

REMOVAL

1. Disconnect circuit 579C lead (1) from driver's heater (2).
2. Loosen two clamps (3) and remove inlet and outlet hoses (4) and (5) from heater (2).
3. Remove four screws (6), eight washers (7), four locknuts (8), and heater (2) from frame (9). Discard locknuts.
4. Disconnect circuit 537G lead (10) from commander's heater (11).
5. Loosen two clamps (12) and remove inlet and outlet hoses (13) and (14) from commander's heater (11).
6. Remove four screws (15), lockwashers (16), and commander's heater (11) from support (17). Discard locknuts.

7. If support (17) is damaged, remove two screws (18), lockwashers (19), and support from forward bulkhead. Discard lockwashers.



NOTE

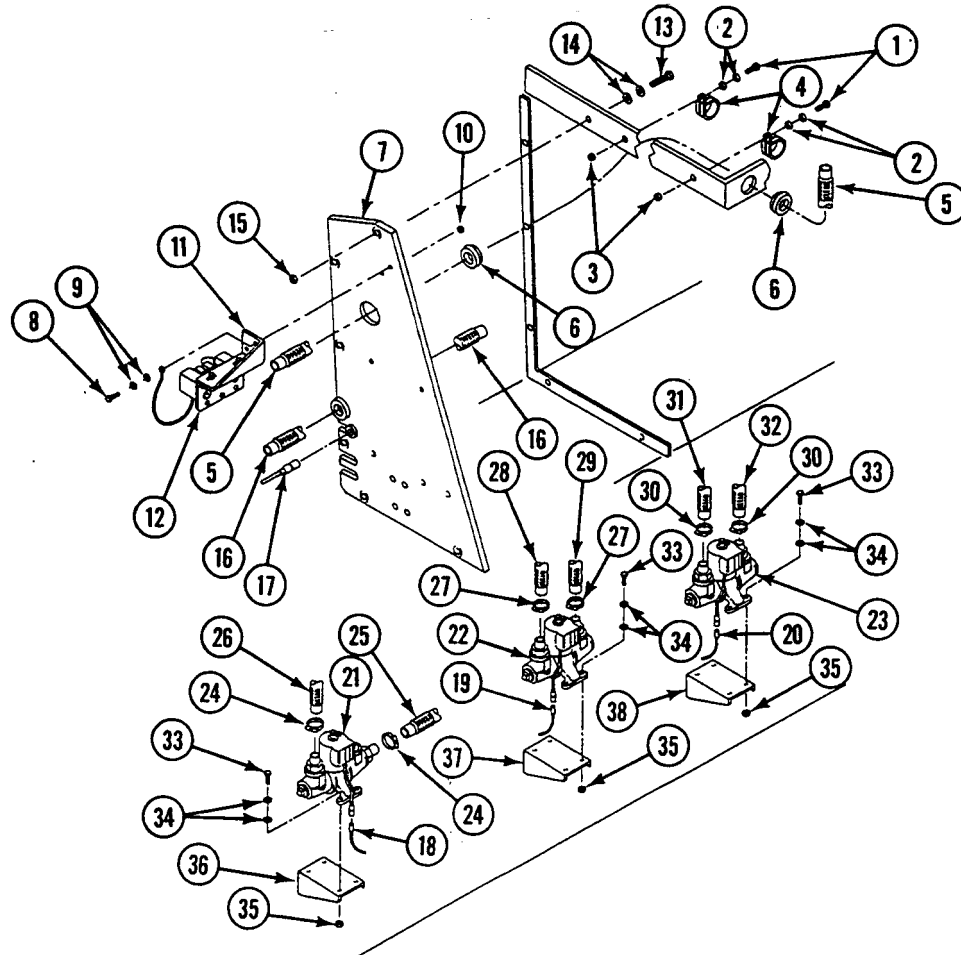
If removing frame, see Replace Air Purifier and Frame (WP 0776 00).

8. Remove two screws (1), washers (2), locknuts (3), and clamps (4) from crossbeam. Remove clamps from hose (5). Discard locknuts.
9. Remove hose (5) with two grommets (6) from frame (7).
10. If either grommet (6) is damaged, remove damaged grommet from hose (5). Discard grommet.
11. Remove two screws (8), four washers (9), four locknuts (10), and bracket (11) with switch assembly (12) from frame (7). Discard locknuts.
12. Remove six screws (13), 12 washers (14), six locknuts (15), and frame (7) from welded molding. Discard locknuts.
13. Remove hose (16) and circuit 579C lead (17) from frame (7).
14. Remove circuit 537E, 537D, and 537C leads (18), (19), and (20) from operator's heaters (21), (22), and (23) respectively.
15. Loosen two clamps (24) and remove inlet and outlet hoses (25) and (26) from heater (21).
16. Loosen two clamps (27) and remove inlet and outlet hoses (28) and (29) from heater (22).
17. Loosen two clamps (30) and remove inlet and outlet hoses (31) and (32) from heater (23).

REPLACE M13 NBC HEATERS AND MOUNTS (M577A3 ONLY) — Continued

0796 00

18. Remove four screws (33), eight washers (34), and four locknuts (35) from each operator's heater (21), (22), and (23). Discard locknuts.
19. Remove heaters from welded mounts (36), (37), and (38).



INSTALLATION

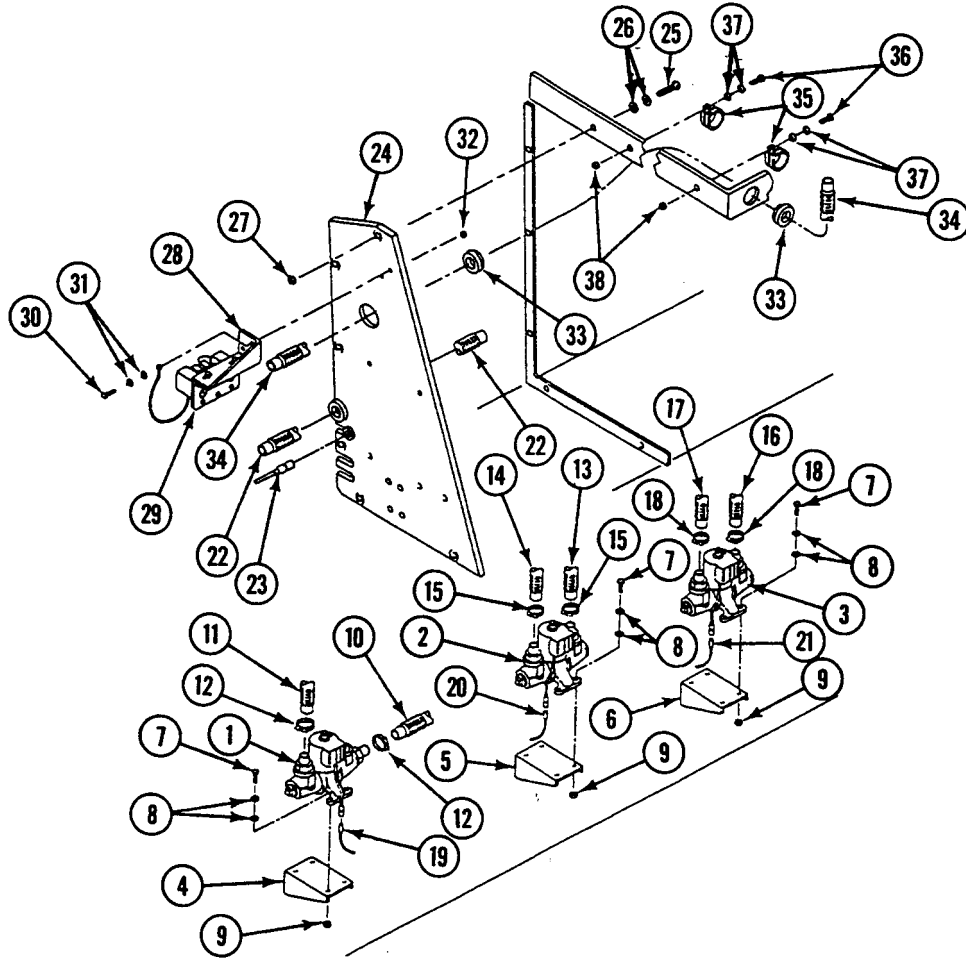
1. Install operator's heaters (1), (2), and (3) on welded mounts (4), (5), and (6). Secure each heater with four screws (7), eight washers (8), and four new locknuts (9).
2. Install inlet and outlet hoses (10) and (11) and two clamps (12) on operator's heater (1). Tighten clamps.
3. Install inlet and outlet hoses (13) and (14) and two clamps (15) on operator's heater (2). Tighten clamps.
4. Install inlet and outlet hoses (16) and (17) and two clamps (18) on operator's heater (3). Tighten clamps.
5. Install circuit 537C lead (19) on operator's heater (1), circuit 537D lead (20) on operator's heater (2), and circuit 537E lead (21) on operator's heater (3).

NOTE

If frame was removed, see Replace Air Purifier and Frame (WP 0776 00).

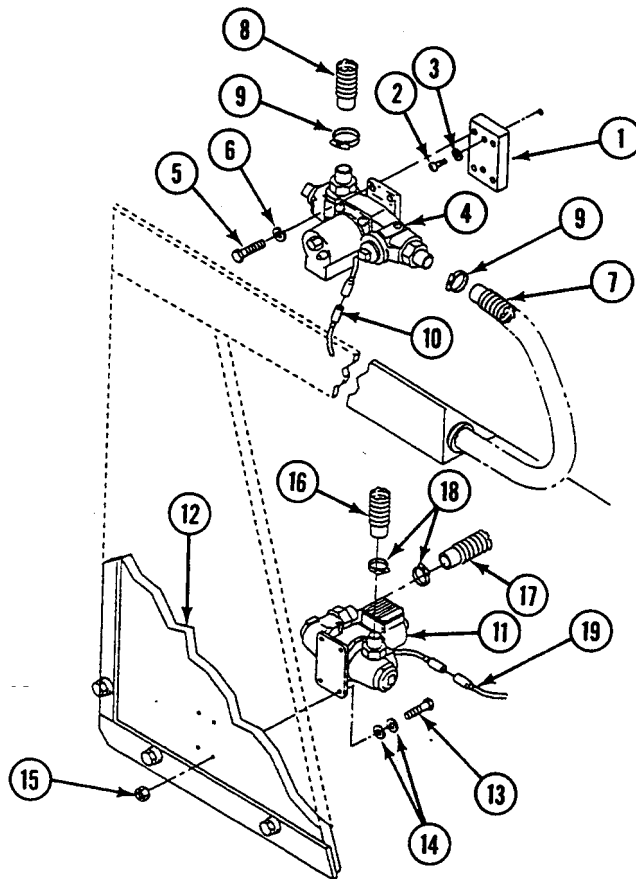
6. Install hose (22) and circuit 579C lead (23) in frame (24).
7. Install frame on welded molding with six screws (25), 12 washers (26), and six new locknuts (27).
8. Install bracket (28) with switch assembly (29) on frame (24). Secure with two screws (30), four washers (31), and four new locknuts (32).
9. If either grommet (33) was removed, install new grommet on hose (34).
10. Install hose (34) with grommets (33) on frame (24).

11. Install two clamps (35) on hose (34). Secure clamps to crossbeam with two screws (36), washers (37), and new locknuts (38).



REPLACE M13 NBC HEATERS AND MOUNTS (M577A3 ONLY) — Continued**0796 00**

12. If support (1) was removed, install support on forward bulkhead with two screws (2) and new lockwashers (3).
13. Install commander's heater (4) on support (1) with four screws (5) and new lockwashers (6).
14. Install inlet and outlet hoses (7) and (8) and two clamps (9) on commander's heater (4). Tighten clamps.
15. Install circuit 537G lead (10) on commander's heater (4).
16. Install driver's heater (11) on frame (12). Secure with four screws (13), eight washers (14), and four new locknuts (15).
17. Install inlet and outlet hoses (16) and (17) and two clamps (18) on driver's heater (11). Tighten clamps.
18. Install circuit 579C lead (19) on driver's heater (11).

**FOLLOW-THROUGH STEPS**

1. Connect battery ground leads (WP 0338 00).
2. Start engine (see your -10).
3. Raise and lock ramp (see your -10).
4. Stop engine (see your -10).
5. Check air flow of NBC system. Follow procedures of TM 3-6680-316-10.

END OF TASK

REPLACE M3 NBC HEATERS AND CONTROLLERS (M1059A3 ONLY)

0797 00

THIS WORK PACKAGE COVERS:

Removal (page 0797 00-1).
 Installation (page 0797 00-6).

INITIAL SETUP:

Maintenance Level

Unit

Personnel Required

Unit Mechanic

Tools and Special Tools

General Mechanic's Tool Kit (WP 0926 00, Item 65)

References

See your -10
 TM 3-6680-316-10

Materials/Parts

Locknut (4)
 Locknut (16)
 Lockwasher (2)
 Lockwasher (4)
 Self-locking screw (2)
 Straps (as required)

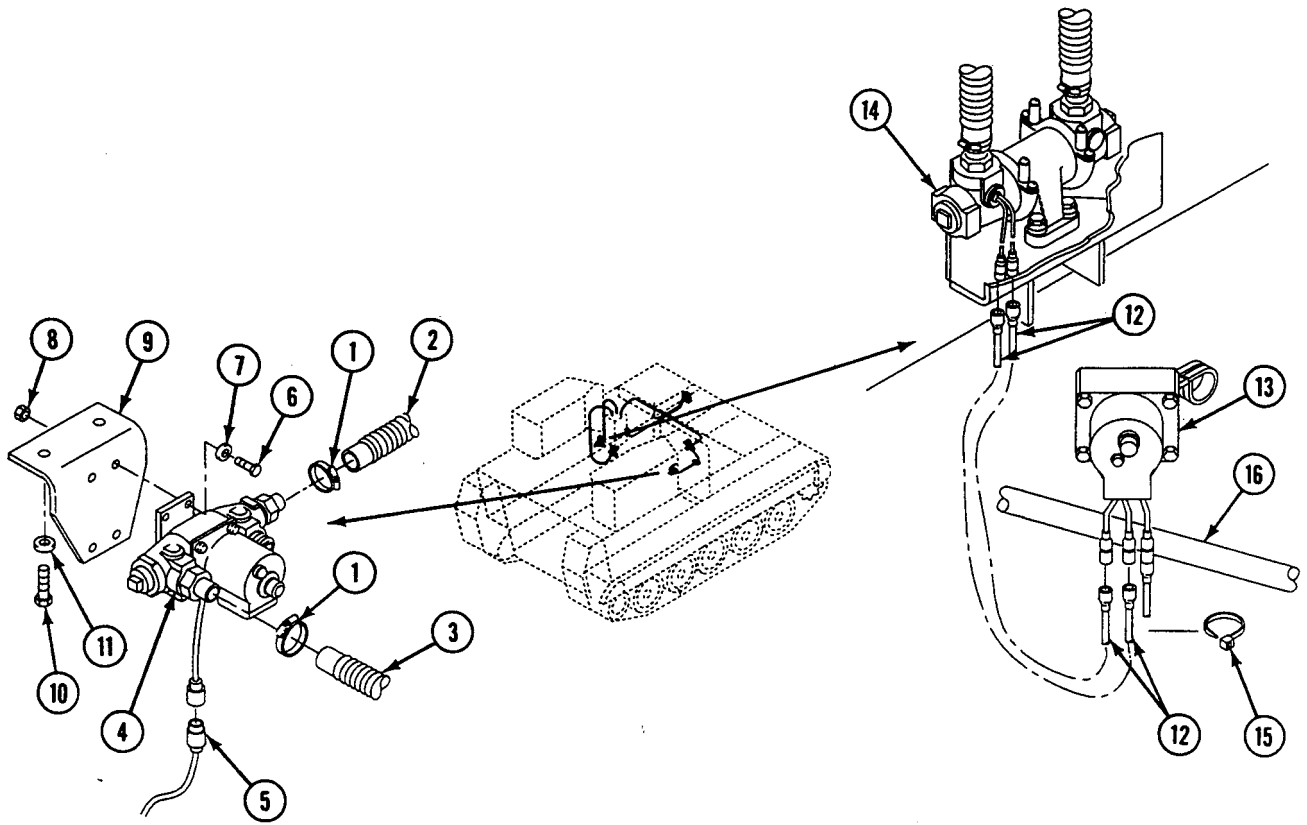
Equipment Condition

Engine stopped (see your -10)
 Carrier blocked (see your -10)
 Battery ground strap disconnected (WP 0337 00)

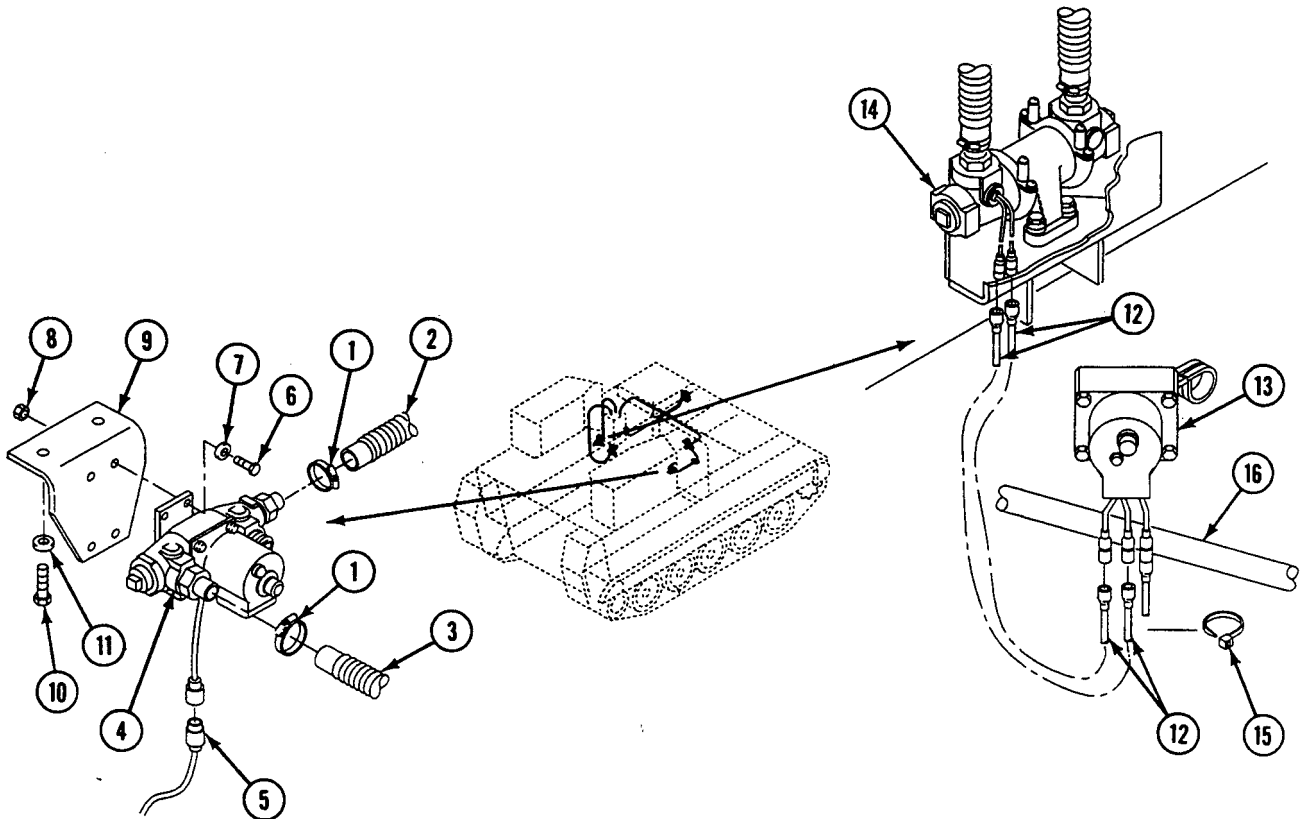
REMOVAL

1. Loosen two clamps (1) and remove inlet hose (2) and outlet hose (3) from operator's heater (4).
2. Disconnect circuit 537D lead (5) from operator's heater (4).

3. Remove four screws (6), washers (7), locknuts (8), and operator's heater (4) from bracket (9). Discard locknuts.



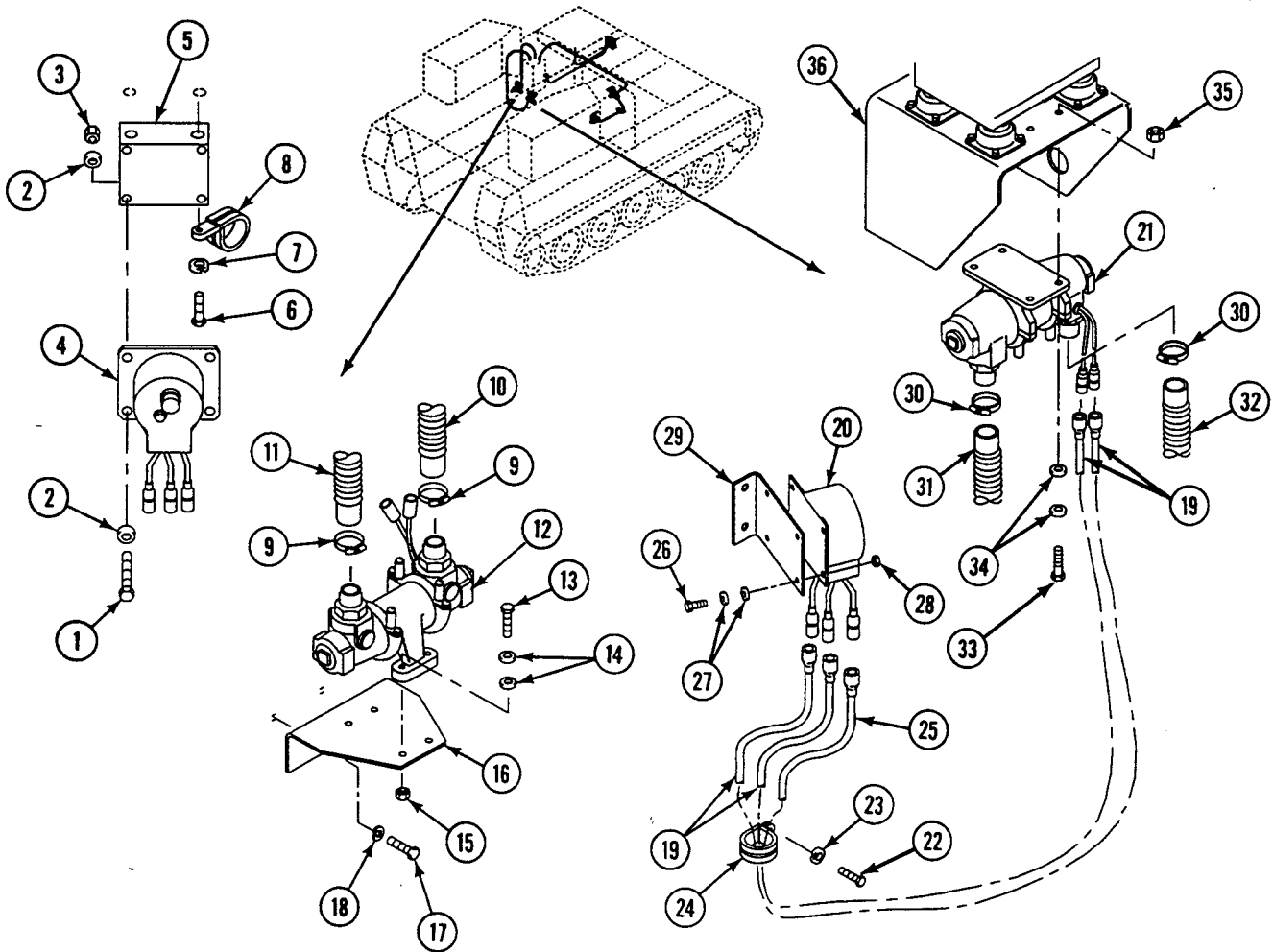
4. If bracket (9) is damaged, remove two lockscrews (10), washers (11), and bracket from hull top plate. Discard lock screws.
5. Disconnect two leads (12) from commander's controller (13) and commander's heater (14).
6. Cut straps (15) and remove two leads (12) from adjacent heater hoses (16). Discard straps.



REPLACE M3 NBC HEATERS AND CONTROLLERS (M1059A3 ONLY) — Continued

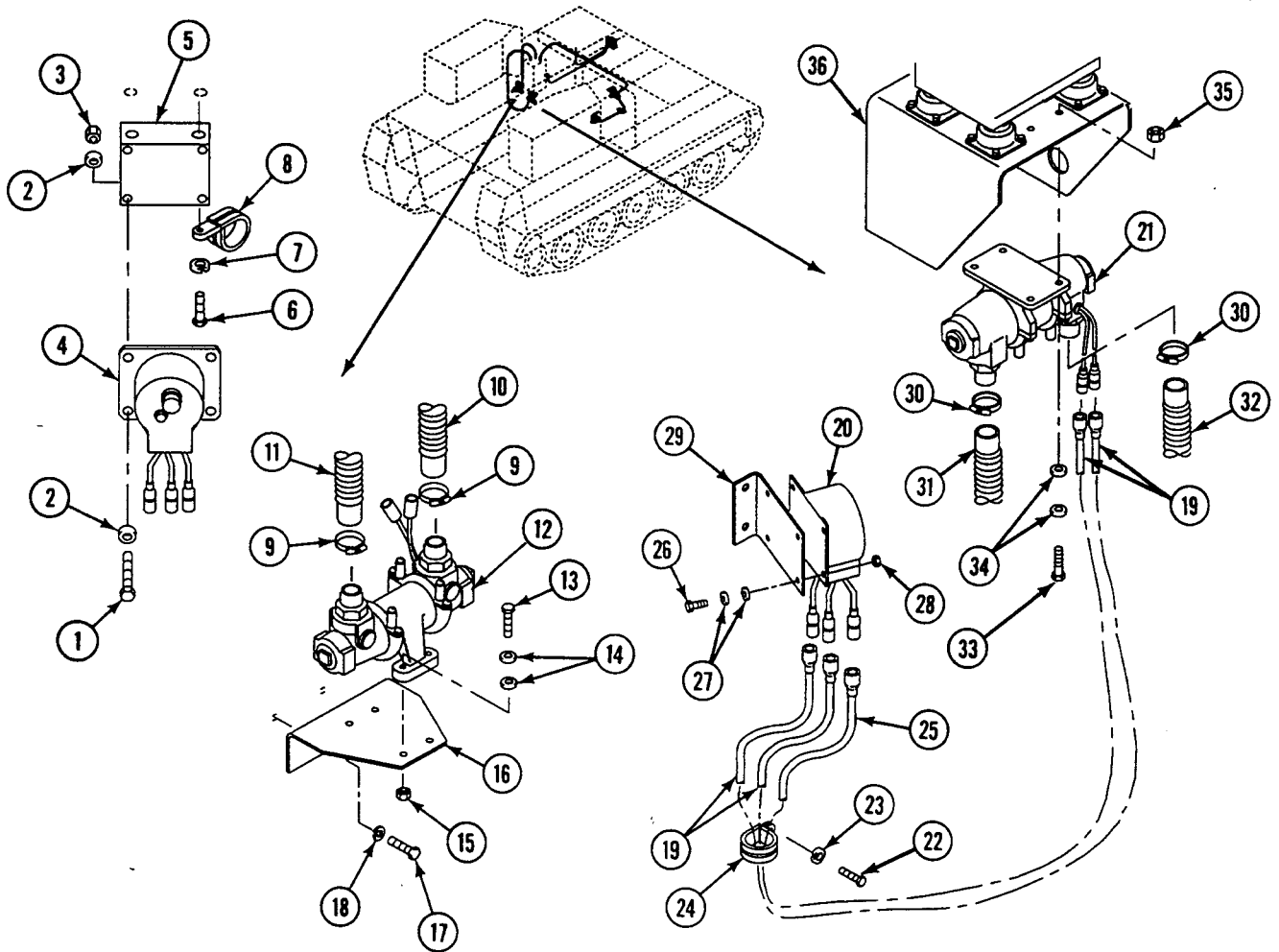
0797 00

7. Remove four screws (1), eight washers (2), four locknuts (3), and commander's controller (4) from bracket (5). Discard locknuts.
8. If bracket (5) is damaged, remove two screws (6), lockwashers (7), clamp (8), and bracket from hull top plate. Discard lockwashers.
9. Loosen two clamps (9) and remove inlet hose (10) and outlet hose (11) from commander's heater (12).
10. Remove four screws (13), eight washers (14), four locknuts (15), and commander's heater (12) from bracket (16).
11. If bracket (16) is damaged, remove two screws (17), lockwashers (18), and bracket from bulkhead. Discard lockwashers.



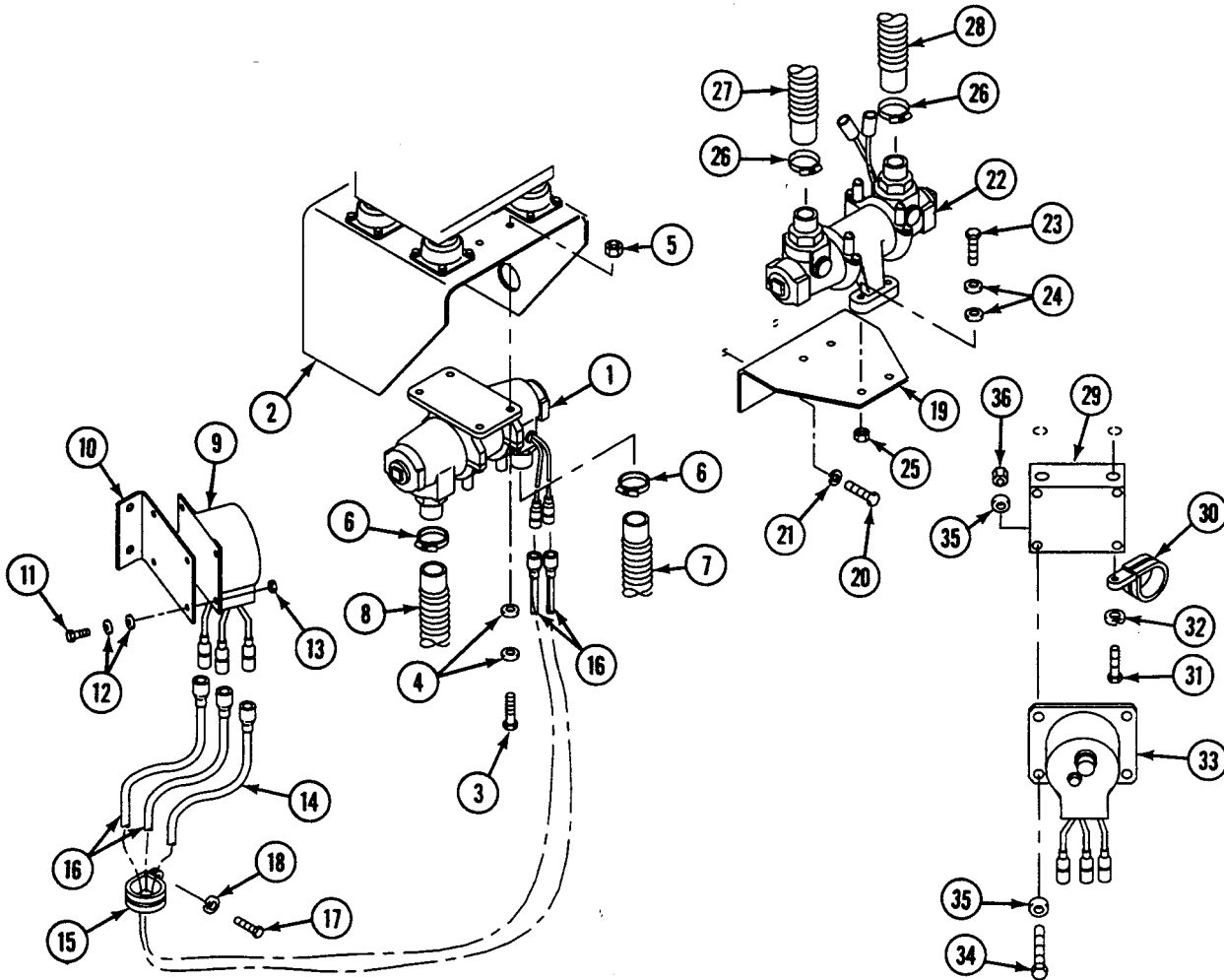
REPLACE M3 NBC HEATERS AND CONTROLLERS (M1059A3 ONLY) — Continued

12. Disconnect two leads (19) from driver's controller (20) and driver's heater (21).
13. Remove two screws (22), lockwashers (23), and clamps (24) from bulkhead. Remove clamps from leads (19). Discard lockwashers.
14. Disconnect circuit 537B lead (25) from driver's heater controller (20).
15. Remove four screws (26), eight washers (27), four locknuts (28), and driver's controller (20) from bracket (29). Discard locknuts.
16. Loosen two clamps (30) and remove inlet hose (31) and outlet hose (32) from driver's heater (21).
17. Remove four screws (33), eight washers (34), four locknuts (35), and driver's heater (21) from bracket (36). Discard locknuts.

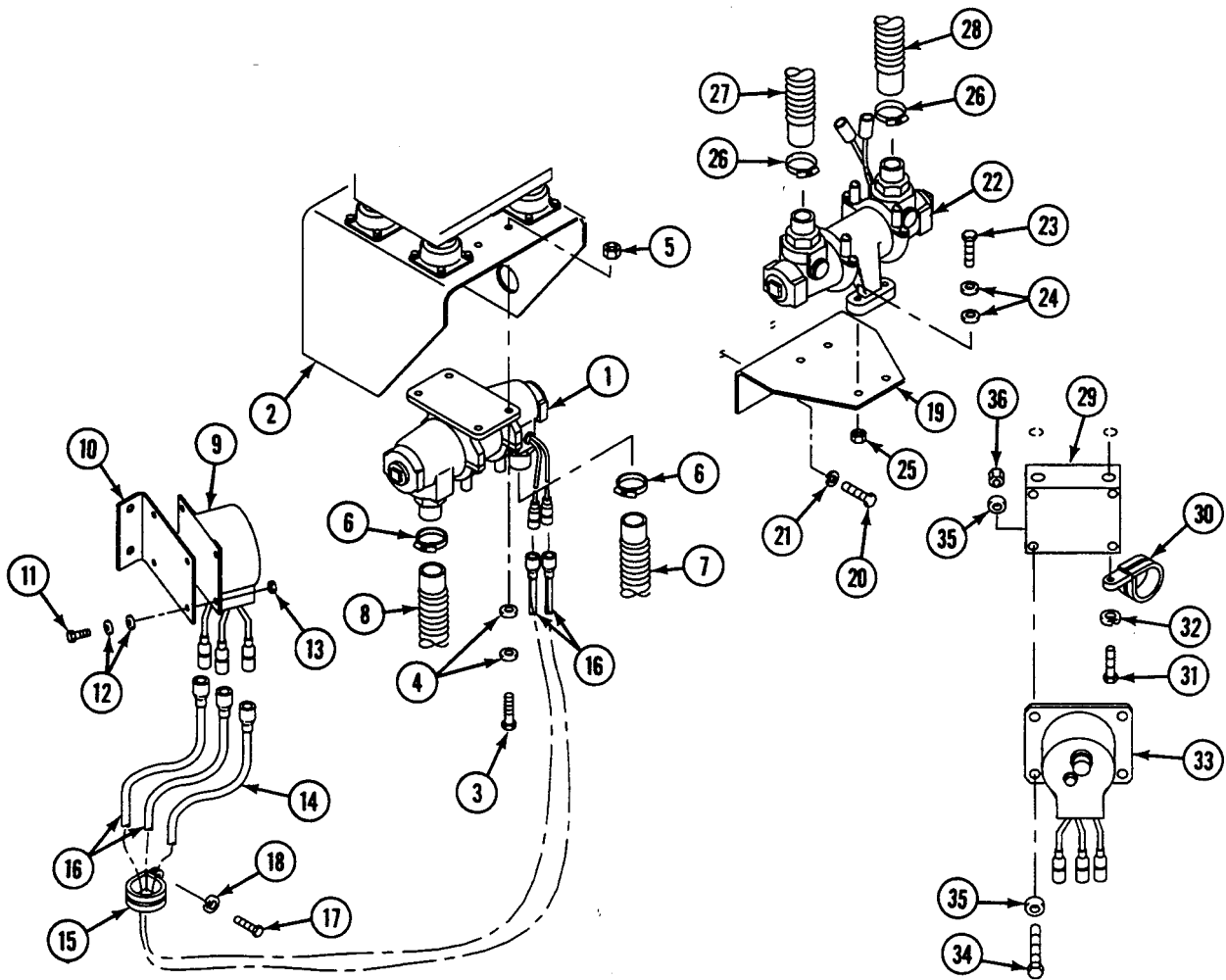


INSTALLATION

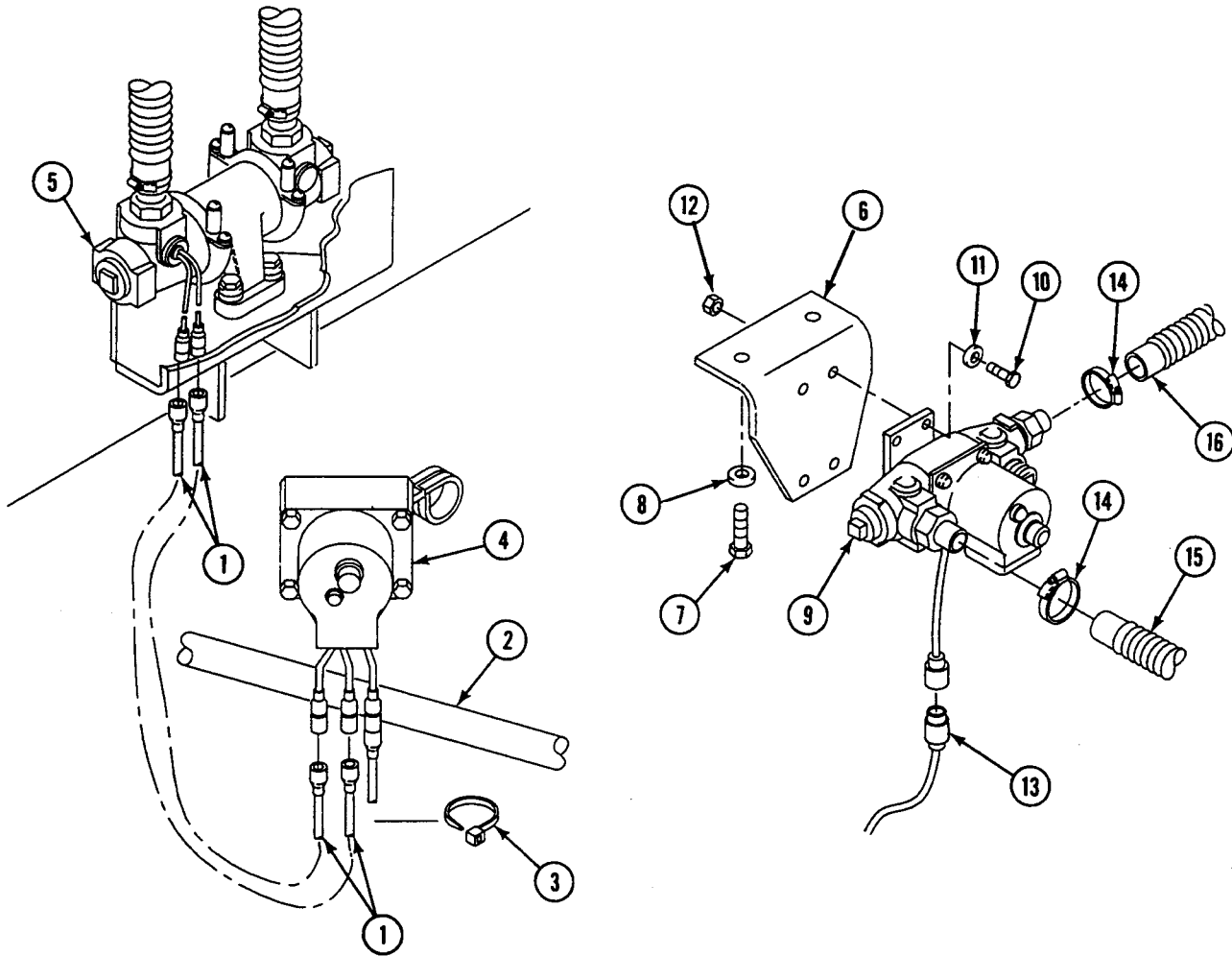
1. Install driver's heater (1) on bracket (2). Secure with four screws (3), eight washers (4), and four new locknuts (5).
2. Install two clamps (6) on outlet hose (7) and inlet hose (8). Install hoses on driver's heater (1). Tighten clamps.
3. Install driver's controller (9) on bracket (10). Secure with four screws (11), eight washers (12), and four new locknuts (13).
4. Connect circuit lead 537B (14) to driver's controller (9).



5. Install two clamps (15) on two leads (16). Secure clamps to bulkhead with two screws (17) and new lockwashers (18).
6. Connect two leads (16) to driver's controller (9) and driver's heater (1).
7. If removed, install bracket (19) on bulkhead. Secure with two screws (20) and new lockwashers (21).
8. Install commander's heater (22) on bracket (19). Secure with four screws (23), eight washers (24), and four new locknuts (25).
9. Install two clamps (26) on outlet hose (27) and inlet hose (28). Install hoses on commander's heater (22). Tighten clamps.
10. If removed, install bracket (29) and clamp (30) on hull top plate. Secure with two screws (31) and new lockwashers (32).
11. Install commander's controller (33) on bracket (29). Secure with four screws (34), eight washers (35), and four new locknuts (36).



12. Secure two leads (1) to adjacent heater hoses (2) with new straps (3).
13. Connect two leads (1) to commander's controller (4) and commander's heater (5).
14. If bracket (6) was removed, install bracket on hull top plate. Secure with two new lock screws (7) and washers (8).
15. Install operator's heater (9) on bracket (6). Secure with four screws (10), washers (11), and new locknuts (12).
16. Connect circuit 537D lead (13) to operator's heater (9).
17. Install two clamps (14) on outlet hose (15) and inlet hose (16). Install hoses on operator's heater (9). Tighten clamps.



FOLLOW-THROUGH STEPS

1. Connect battery ground strap (WP 0337 00).
2. Start engine (see your -10).
3. Raise and lock ramp (see your -10).
4. Stop engine (see your -10).
5. Check air flow of NBC system. Follow procedures of TM 3-6680-316-10.

END OF TASK

REPLACE M13 NBC HEATERS (M1068A3 ONLY)

0798 00

THIS WORK PACKAGE COVERS:

Removal (page 0798 00-1).
 Installation (page 0798 00-4).

INITIAL SETUP:

Maintenance Level

Unit

Tools and Special Tools

General Mechanic's Tool Kit (WP 0926 00, Item 65)

Materials/Parts

Lockwasher (18)

Locknut (9)

Personnel Required

Unit Mechanic

References

See your -10

See TM 3-6680-316-10

Equipment Condition

Engine stopped (see your -10)

Carrier blocked (see your -10)

Battery ground lead disconnected (WP 0338 00)

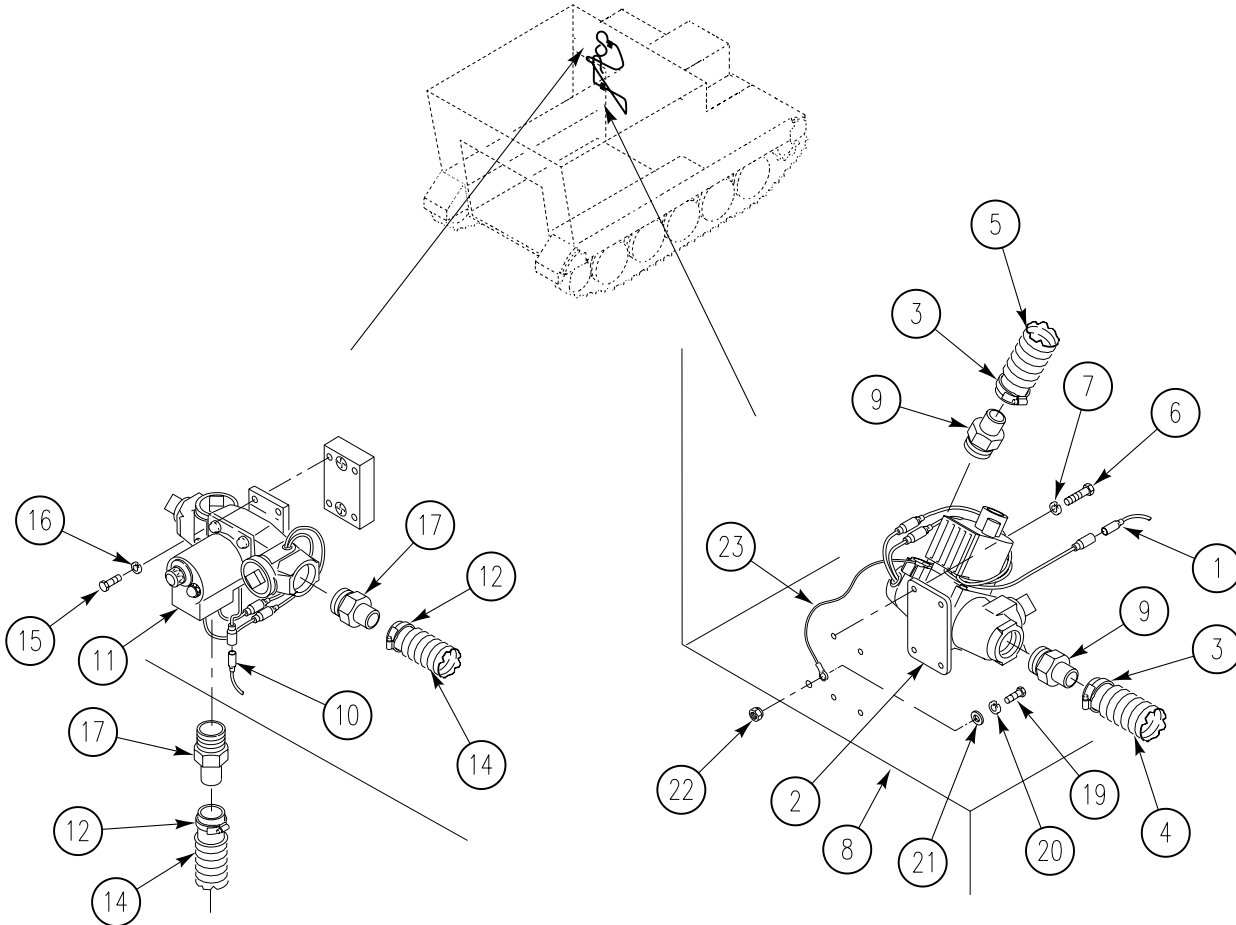
REMOVAL

1. Disconnect circuit lead 537A (1) from driver's heater (2).
2. Loosen two clamps (3) and remove inlet and outlet hoses (4) and (5) from driver's heater (2).
3. Remove screw (19), lockwasher (20), washer (21), locknut (22), and jumper (23) from hull. Discard locknut and lockwasher.

REPLACE M13 NBC HEATERS (M1068A3 ONLY) — Continued

0798 00

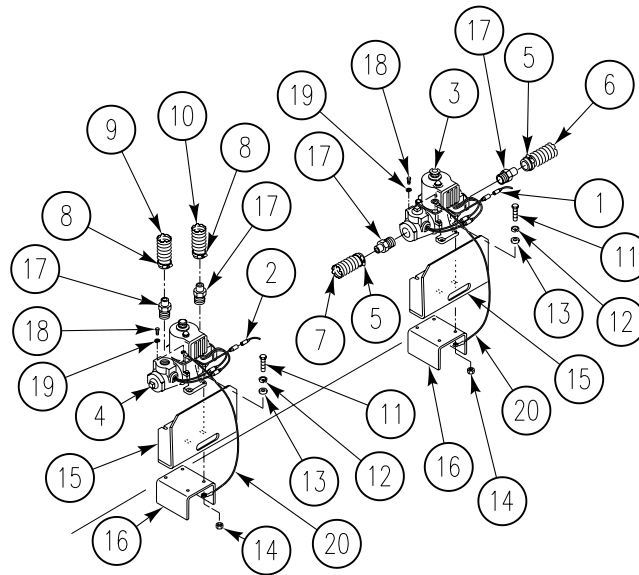
4. Remove four screws (6), lockwashers (7), jumper (23), and heater (2) from frame (8). Discard lockwashers.
5. Remove two adapters (9) from heater (2).
6. Disconnect circuit lead 537B (10) from commander's heater (11).
7. Loosen two clamps (12) and remove inlet and outlet hoses (14) from commander's heater (11).
8. Remove four screws (15), lockwashers (16), and commander's heater (11) from forward bulkhead. Discard lockwashers.
9. Remove two adapters (17) from commander's heater (11).



REPLACE M13 NBC HEATERS (M1068A3 ONLY) — Continued

0798 00

10. Remove circuit leads 537D and 537E (1) and (2) from front heaters (3) and (4).
11. Loosen two clamps (5) and remove inlet and outlet hoses (6) and (7) from front heater (3).
12. Loosen two clamps (8) and remove inlet and outlet hoses (9) and (10) from rear heater (4).
13. Remove four screws (11), five lockwashers (12), four washers (13), nuts (14), shield (15), jumper (20), and heater (3) or (4) from welded mount (16). Discard lockwashers.
14. Remove two adapters (17) from heater (3) and (4).
15. Remove screw (18), lockwasher (19), and jumper (20) from heater (3) and (4). Discard lockwasher.

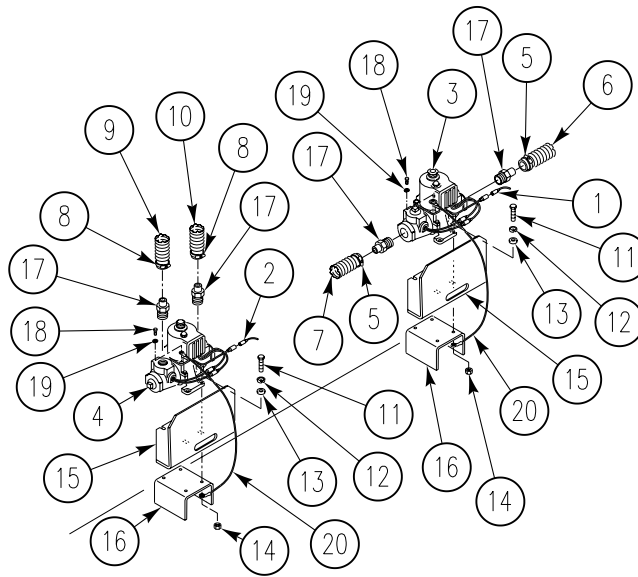


INSTALLATION

NOTE

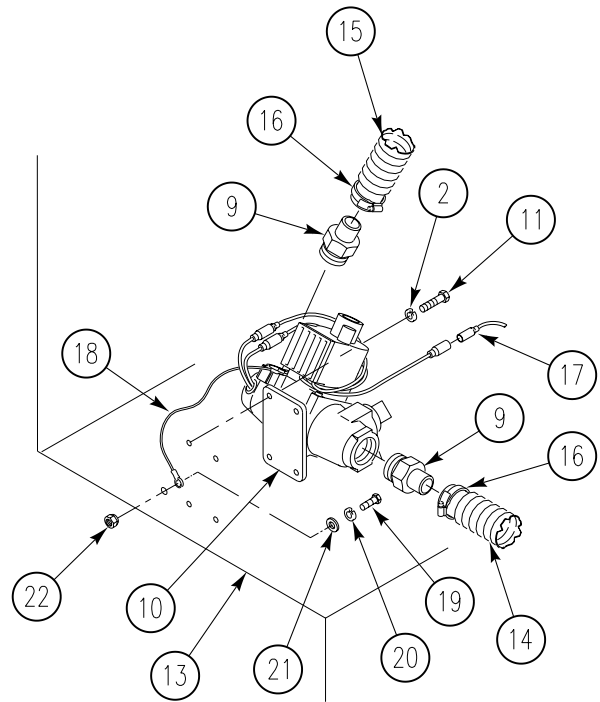
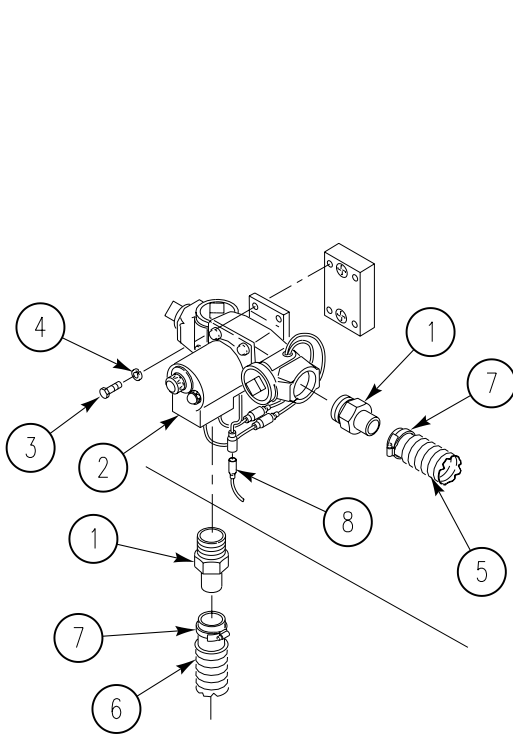
To ensure electrical ground, verify entire contact area of lockwasher is free of paint.

1. Install jumper (20) on front or rear heater (3) or (4) with screw (18) and new lockwasher (19).
2. Install two adapters (17) on front or rear heater (3) or (4).
3. Install shield (15) on front or rear heater (3) or (4) to welded mount (16) with four screws (11), five new lockwashers (12), four washers (13), and nuts (14).
4. Install inlet and outlet hoses (9) and (10) on rear heater (4). Tighten clamps (8) on each hose.
5. Install inlet and outlet hoses (6) and (7) on front heater (3). Tighten clamps (5) on each hose.
6. Install circuit leads 537D and 537E (1) and (2) on front and rear heaters (3) and (4).



7. Install two adapters (1) on commander's heater (2).
8. Install four screws (3), new lockwashers (4), and commander's heater (2) on forward bulkhead.
9. Install inlet and outlet hoses (5) and (6) on commander's heater (2). Tighten clamp (7) on each hose.
10. Install circuit lead 537B (8) on commander's heater (2).
11. Install two adapters (9) on driver's heater (10).
12. Install four screws (11), new lockwashers (2), jumper(18), and heater (10) on frame (13).
13. Install jumper (18) to hull with washer (21), new lockwasher (20), screw (19) and new locknut (22).
14. Install inlet and outlet hoses (14) and (15) on heater (10). Tighten clamp (16) on each hose.

15. Install circuit lead 537A (17) on heater (10).



FOLLOW-THROUGH STEPS

1. Connect battery ground lead (WP 0338 00).
2. Check air flow of NBC system. Follow procedures in TM 3-6680-316-10.

END OF TASK

REPLACE M14 NBC CABLES AND SWITCH ASSEMBLY (M1059A3 ONLY)

0799 00

THIS WORK PACKAGE COVERS:

Removal (page 0799 00-1).
 Installation (page 0799 00-3).

INITIAL SETUP:

Maintenance Level

Unit

References

See your -10

Tools and Special Tools

General Mechanic's Tool Kit (WP 0926 00, Item 65)

Equipment Condition

Engine stopped (see your -10)

Carrier blocked (see your -10)

Ramp lowered (see your -10)

Battery ground strap disconnected (WP 0337 00)

Materials/Parts

Lockwasher (4)

Straps (3)

Drop instrument panel. See Replace Panel Mounts and Ground Leads (WP 0295 00).

Personnel Required

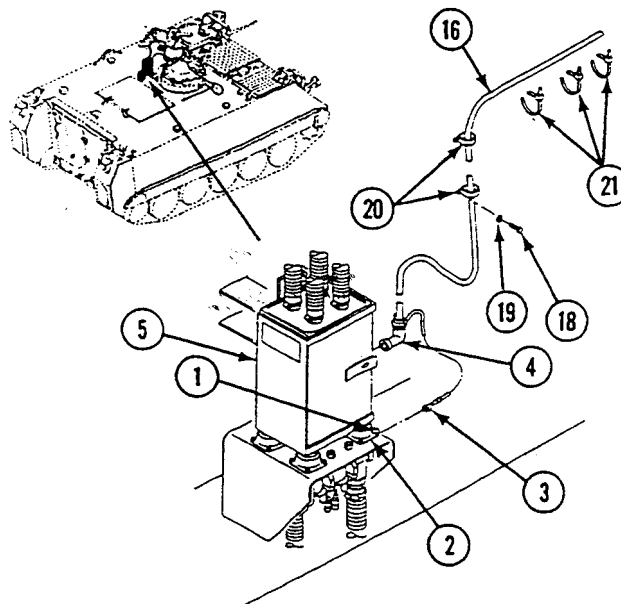
Unit Mechanic

REMOVAL

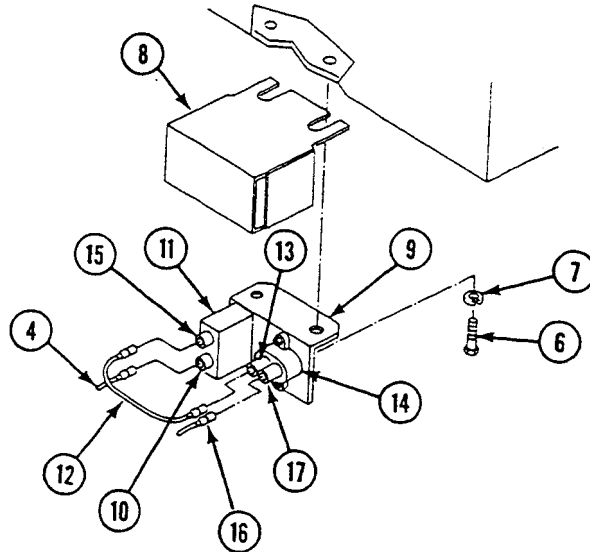
NOTE

Ground lead terminal may be either ring terminal end or split terminal end.

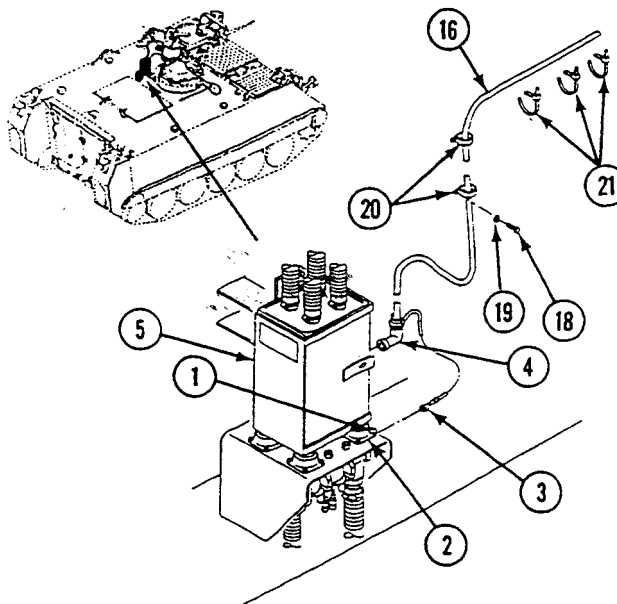
1. Loosen or remove screw (1) on mount (2) and remove ground lead (3).
2. Remove power cable and ground assembly (4) from air purifier (5).



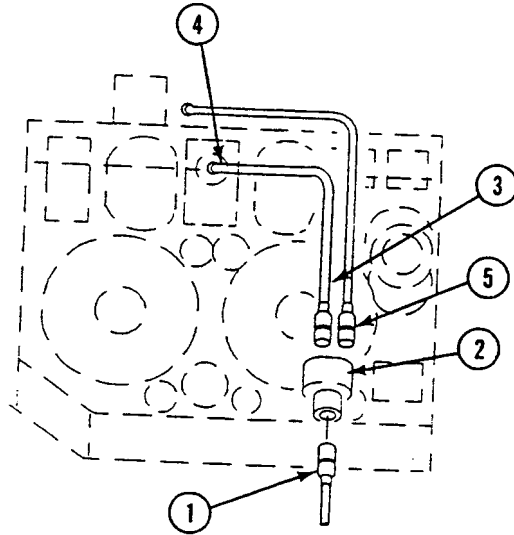
3. Remove two screws (6), lockwashers (7), cover (8), and circuit breaker switch assembly (9) from transverse beam. Discard lockwashers.
4. Remove power cable (4) from jack (10) on switch (11).
5. Remove short cable assembly (12) from jack (13) on circuit breaker (14) and jack (15) on switch (11).
6. Remove circuit 579A cable assembly (16) from jack (17) on circuit breaker (14).



7. Remove two screws (18), lockwashers (19), and clamps (20) from bulkhead. Remove clamps from circuit 579A cable assembly (16). Discard lockwashers.
8. Remove three straps (21) securing circuit 579A cable assembly (16) to wiring harness on side plate. Discard straps.

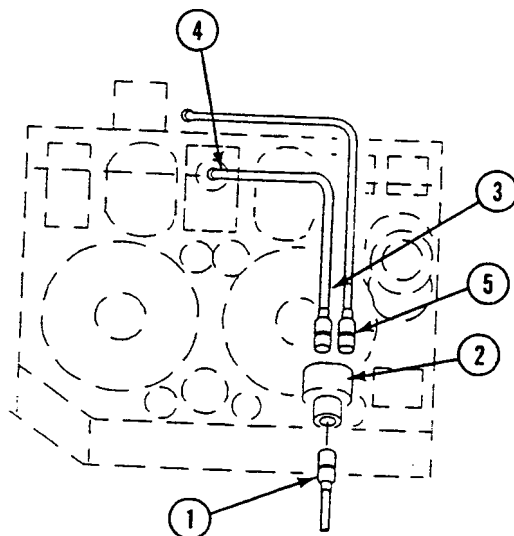


9. Remove circuit 579A lead (1) from connector (2) on back of instrument panel.
10. Remove circuit 10A lead (3) from connector (2) and circuit breaker (4).
11. Remove circuit 10 lead (5) from connector (2).

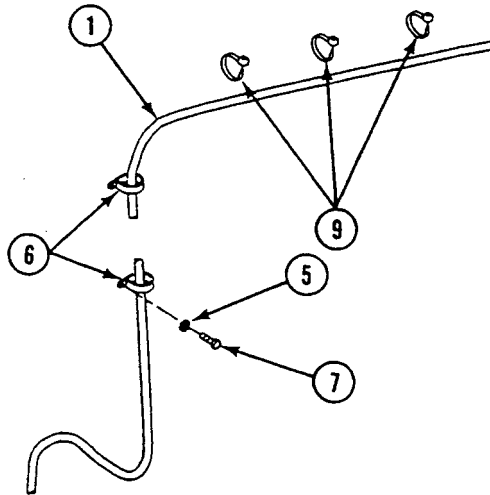


INSTALLATION

1. Install circuit 10 lead (5) on connector (2).
2. Install circuit 10A lead (3) on connector (2) and circuit breaker (4).
3. Install circuit 579A lead (1) on connector (2).
4. Install circuit 579A lead (1) on connector (2).

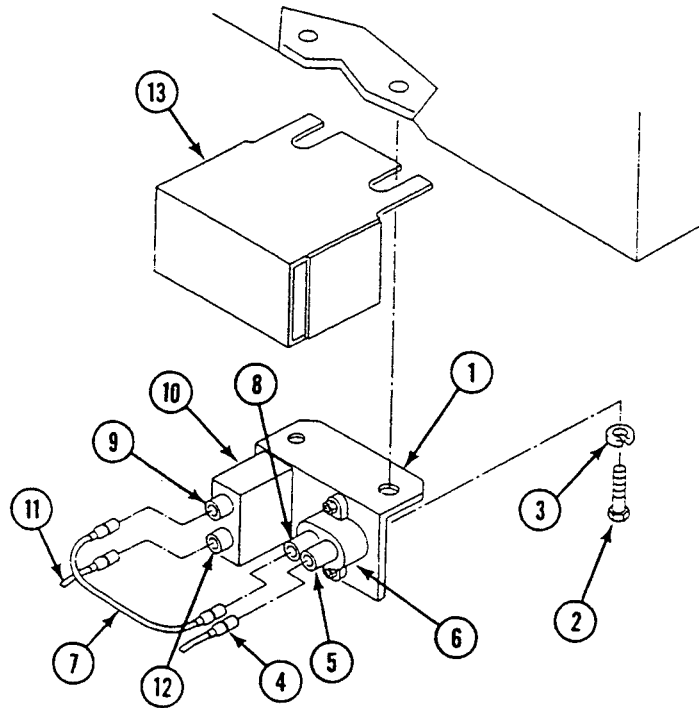


5. Install clamps (6) on circuit 579A cable (1). Secure clamps (6) to bulkhead with two screws (7) and new lockwashers (5).
6. Install circuit 579A cable (1) along existing wiring harness on side plate. Secure cable (1) to harness with three new straps (9).



7. Align circuit breaker and switch assembly (1) to threaded inserts under left side of traverse beam, with controls facing front of vehicle. Secure with two screws (2) and new lockwashers (3). Do not tighten screws.
8. Install circuit 579A lead (4) on jack (5) of circuit breaker (6).
9. Install short cable assembly (7) on jack (8) of circuit breaker (6) and jack (9) of switch (10).
10. Install power cable assembly (11) on jack (12) of switch (10).
11. Install slots on cover (13) under two screws (2) securing switch assembly (1) to traverse beam.

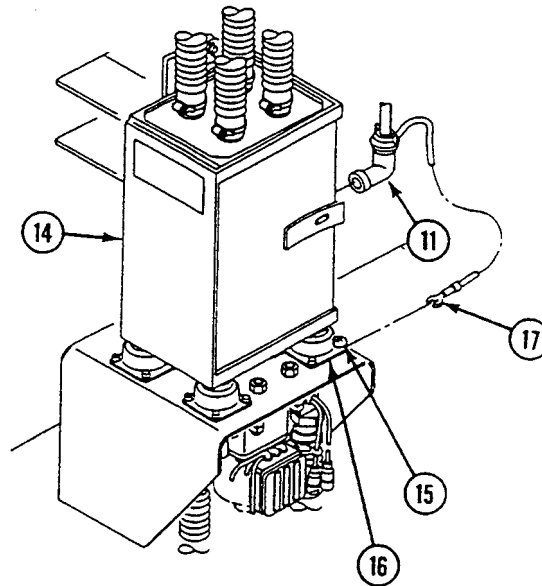
12. Install power and ground cable assembly (11) on air purifier assembly (14).



NOTE

Ground lead terminal may be either a ring end or split end.

13. Loosen or remove screw (15) on shock mount insulator (16). Install end of ground cable (17) under screw (15). Tighten screw.

**FOLLOW-THROUGH STEPS**

1. Install driver's instrument panel (WP 0295 00).
2. Connect battery ground strap (WP 0337 00).
3. Start engine (see your -10).
4. Raise and lock ramp (see your -10).
5. Stop engine (see your -10).

END OF TASK

REPLACE NBC CABLE TO HEATERS, AIR PURIFIER, AND SWITCH ASSEMBLY (M113A3 ONLY)

0800 00

THIS WORK PACKAGE COVERS:

Removal (page 0800 00-1).
 Installation (page 0800 00-3).

INITIAL SETUP:

Maintenance Level

Unit

References

See your -10

Tools and Special Tools

General Mechanic's Tool Kit (WP 0926 00, Item 65)

Equipment Condition

Engine stopped (see your -10)
 Carrier blocked (see your -10)
 Battery ground strap disconnected (WP 0337 00)
 Drop instrument panel. See Replace Panel Mounts and Ground Leads (WP 0295 00).

Materials/Parts

Straps (3)

Personnel Required

Unit Mechanic

REMOVAL

1. Disconnect cable (1) from air purifier (2).
2. Loosen two screws (3) and remove cover (4) from switch assembly (5) and transverse beam.
3. If circuit breaker switch assembly needs to be replaced, see Replace NBC Filter Switch (WP 0802 00).
4. Remove circuit 579C (6) from jack (7) on air filter switch (8).
5. Remove circuit 537C (9) from jack (10) on air filter on lamp (11).
6. Remove all tie straps (12) securing cable (1) to other wiring harnesses. Discard straps.
7. Remove circuit 579A lead (13) from connector (14) on back of instrument panel.
8. Remove circuit 537B lead (15) from driver's heater controller lead (16).
9. Remove circuit 537A lead (17) from commander's heater controller lead (18).
10. Remove circuit 10A lead (19) from connector (20) and circuit breaker (21).
11. Remove circuit 10 lead (22) from connector (14).

WARNING



Removing cables from the regulator without disconnecting the vehicle battery ground cable may hurt personnel and damage equipment from electrical power.

NOTE

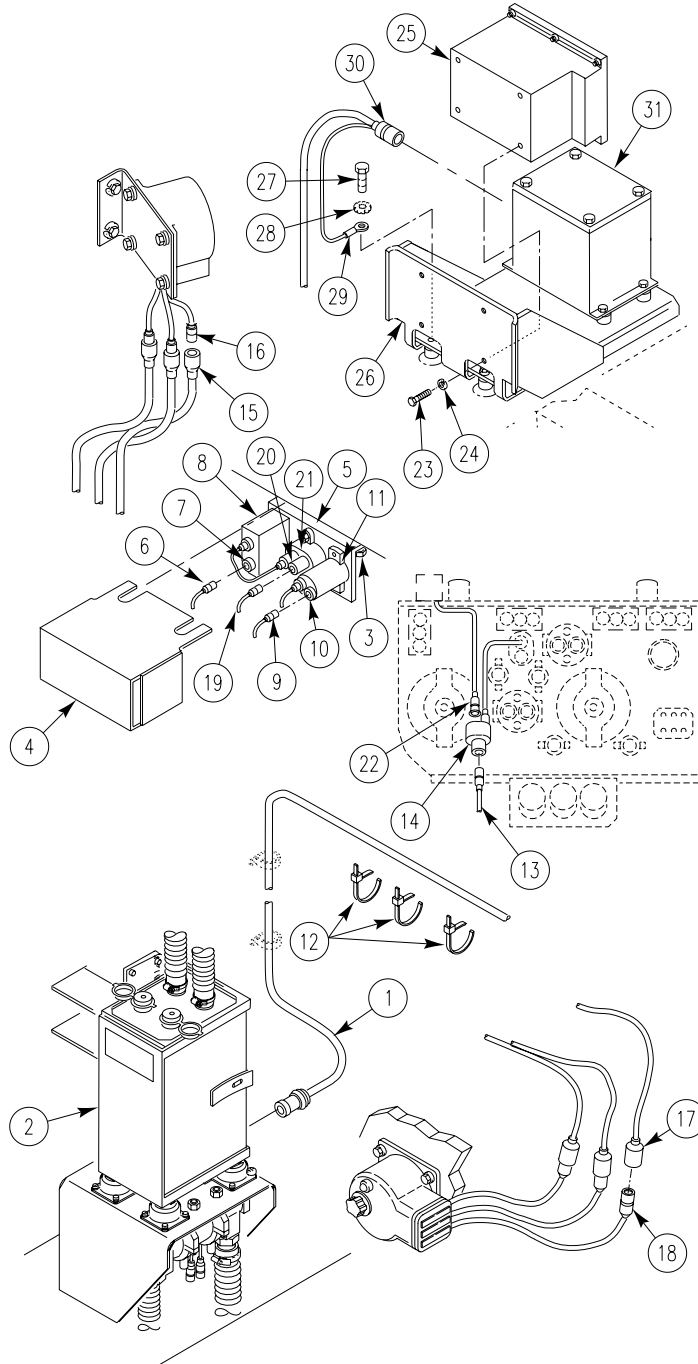
Do Step 12 to gain better access to remove NBC cable ground lead.

12. Remove four screws (23), lockwashers (24) and regulator (25) from bracket (26).

**REPLACE NBC CABLE TO HEATERS, AIR PURIFIER, AND SWITCH ASSEMBLY
(M113A3 ONLY) — Continued**

0800 00

13. Remove screw (27) lockwasher (28) and ground lead from bracket.
14. Disconnect cable connector (30) from NBC control box (31).
15. Remove cable assembly (1) from vehicle.



**REPLACE NBC CABLE TO HEATERS, AIR PURIFIER, AND SWITCH ASSEMBLY
(M113A3 ONLY) — Continued**

0800 00

INSTALLATION

1. Position NBC cable assembly in vehicle.
2. Install screw (27) lockwasher (28) and ground lead (29) to bracket (26).

WARNING



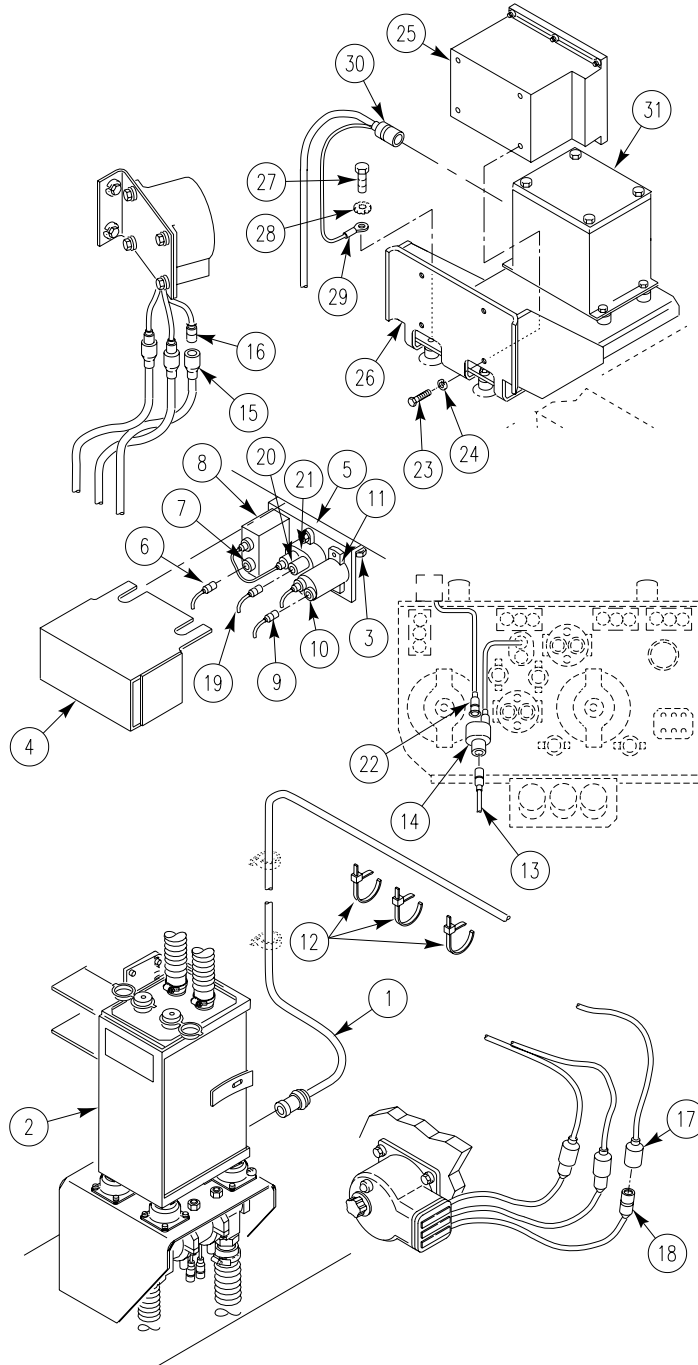
Removing cables from the regulator without disconnecting the vehicle battery ground cable may hurt personnel and damage equipment from electrical power.

3. Install four screws (23), lockwashers (24), and regulator (25) to bracket (26).
4. Connect cable connector (30) to NBC control box (31).
5. Install circuit 10 lead (22) on connector (14).
6. Install circuit 10A lead (19) on connector (21) and circuit breaker (21).
7. Install circuit 579A lead (13) on connector (14).
8. Install circuit 537B lead (15) to driver's heater controller lead (16).
9. Install circuit 537A lead (17) to commander's heater controller lead (18).
10. Install circuit 579C lead (6) to jack (7) on air filter switch (8).
11. Install circuit 537C (9) to jack (10) on air filter in lamp (11).
12. Install NBC cable (1) on air purifier (2).
13. Install cover (4) between the switch assembly (5) and transverse beam. Tighten two screws (3) to secure switch (5) and cover (4) to transverse beam.

**REPLACE NBC CABLE TO HEATERS, AIR PURIFIER, AND SWITCH ASSEMBLY
(M113A3 ONLY) — Continued**

0800 00

14. Install new tie straps to secure NBC cable leads to existing wiring harnesses.



FOLLOW-THROUGH STEPS

1. Install Drivers instrument panel (WP 0295 00).
2. Connect battery ground strap (WP 0337 00).

END OF TASK

**REPLACE M8A3 NBC CABLES, SWITCH ASSEMBLY, AND BRACKETS
(M577A3 ONLY)**

0801 00

THIS WORK PACKAGE COVERS:

Removal (page 0801 00-1).
Installation (page 0801 00-4).

INITIAL SETUP:

Maintenance Level

Unit

References

See your -10

Tools and Special Tools

General Mechanic's Tool Kit (WP 0926 00, Item 65)

Equipment Condition

Engine stopped (see your -10)

Materials/Parts

Locknut (5)

Carrier blocked (see your -10)

Lockwasher (3)

Ramp lowered (see your -10)

Tie straps (5)

Battery ground lead disconnected (WP 0338 00)

Grommet

Personnel Required

Unit Mechanic

Drop instrument panel. See replace panel mounts and ground lead. (WP 0295 00)

REMOVAL

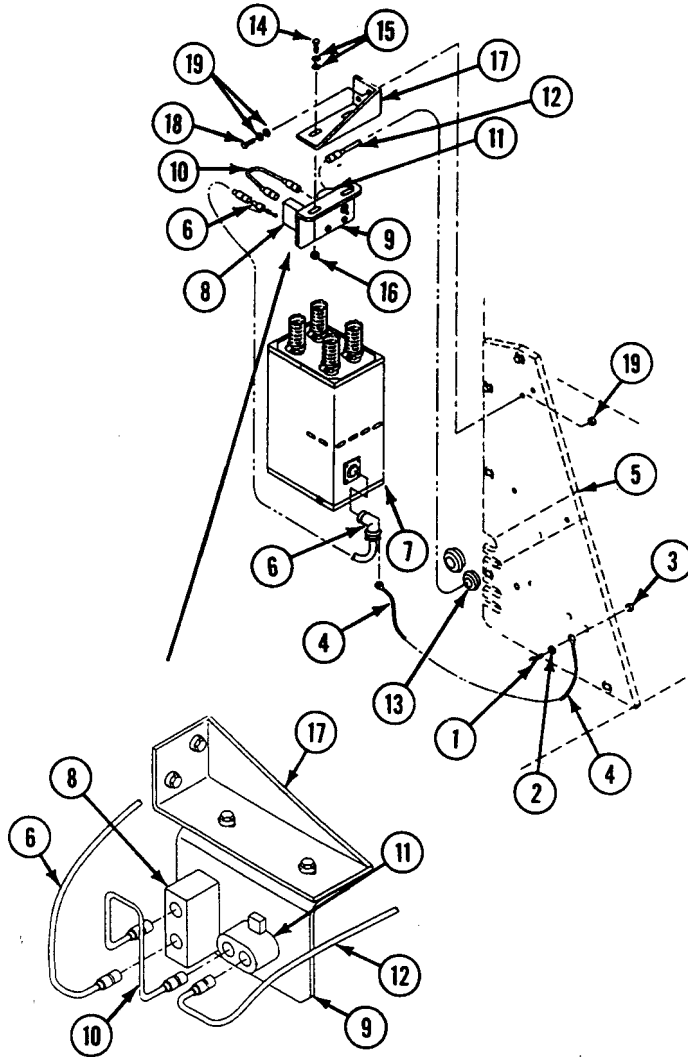
1. Remove screw (1), washer (2), locknut (3), and ground lead (4) from mount plate (5). Discard locknut.
2. Remove power cable (6) from air purifier (7) and switch (8) on circuit breaker and switch assembly (9).
3. Remove cable (10) from switch (8) and circuit breaker (11) on circuit breaker and switch assembly (9).
4. Remove cable (12) with grommet (13) from circuit breaker (11) on circuit breaker and switch assembly (9).
5. Remove two screws (14), four washers (15), two locknuts (16), and circuit breaker and switch assembly (9) from bracket (17). Discard locknuts.

REPLACE M8A3 NBC CABLES, SWITCH ASSEMBLY, AND BRACKETS (M577A3 ONLY)

0801 00

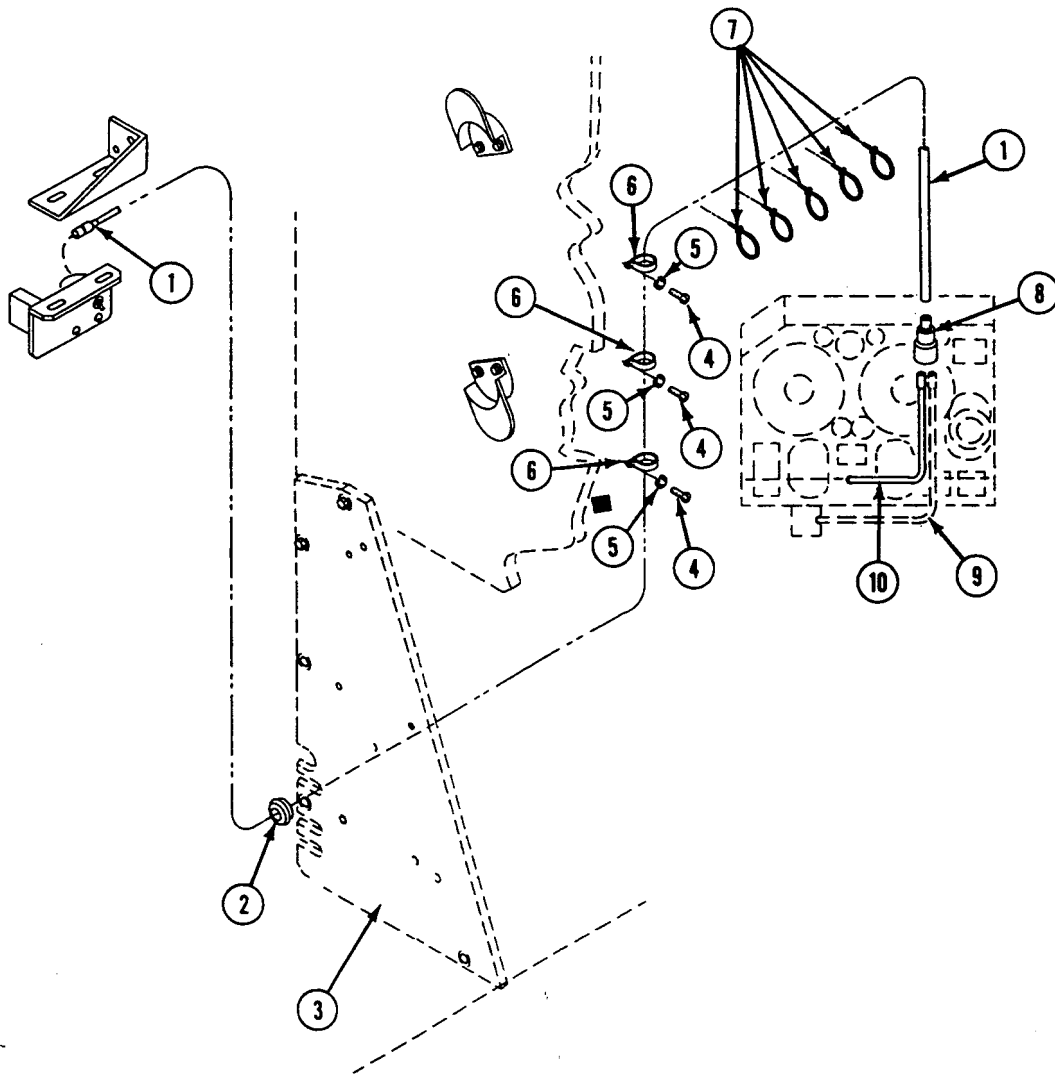
— Continued

6. Remove two screws (18), four washers (19), two locknuts (20), and bracket (17) from forward bulkhead. Discard locknuts.



REPLACE M8A3 NBC CABLES, SWITCH ASSEMBLY, AND BRACKETS (M577A3 ONLY)**0801 00****— Continued**

7. Pull cable (1) with grommet (2) from frame (3). If damaged, discard grommet.
8. Remove three screws (4), lockwashers (5), and clamps (6) from driver's rear bulkhead. Remove clamps from cable (1). Discard lockwashers.
9. Cut five tie straps (7) securing cable (1) to adjacent wiring harness. Discard tie straps.
10. Remove cable (1) from connector (8).
11. Disconnect circuit 10 lead (9) and lead (10) from connector (8).

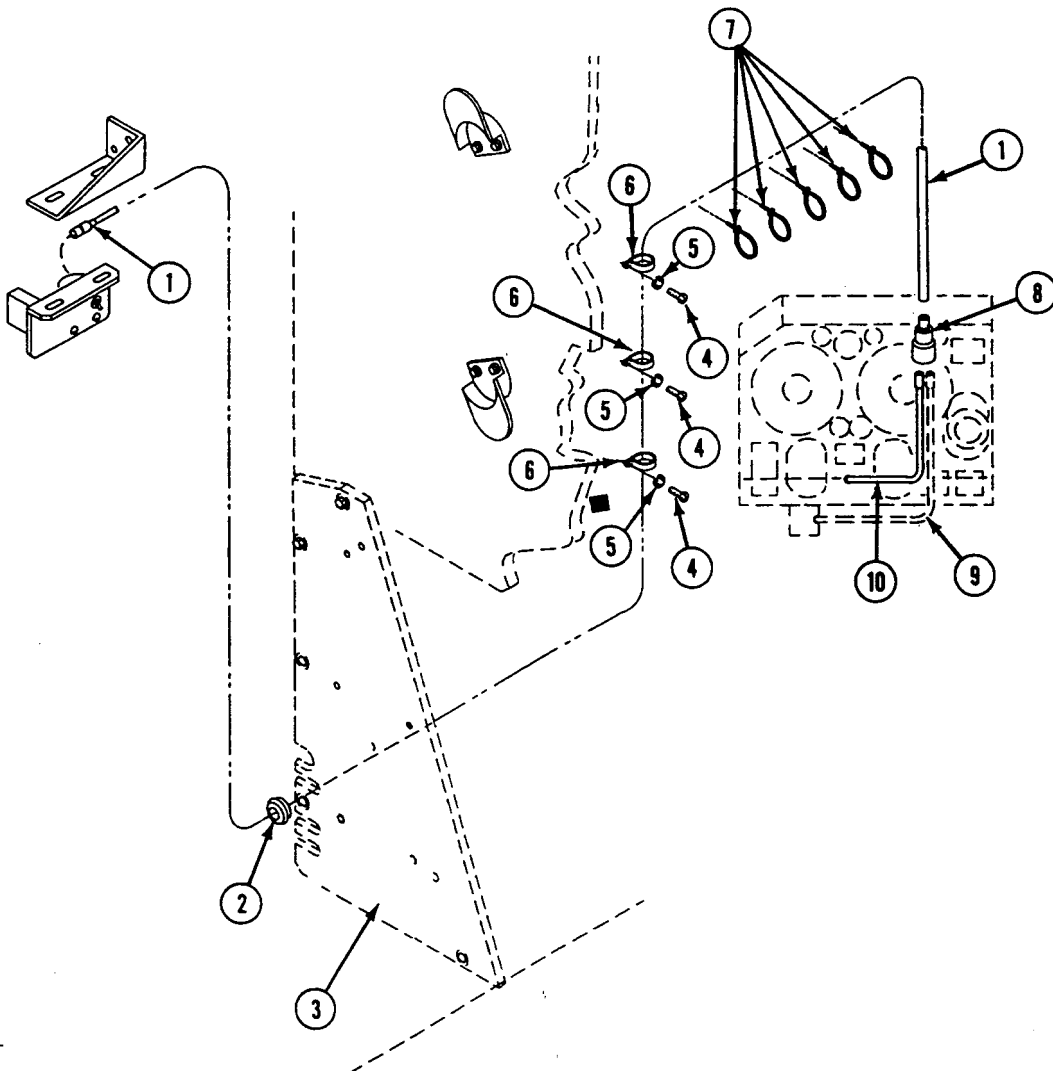


REPLACE M8A3 NBC CABLES, SWITCH ASSEMBLY, AND BRACKETS (M577A3 ONLY)
 — Continued

0801 00

INSTALLATION

1. Install lead (10) and circuit lead 10 (9) to connector (8).
2. Install cable (1) in connector (8).
3. Route cable (1) along adjacent wiring harness. Secure with five new tie straps (7).
4. Install three clamps (6) on cable (1). Secure clamps to driver's rear bulkhead with three screws (4) and new lockwashers (5).
5. If damaged, install new grommet (2) on cable (1). Route cable through frame (3) and insert grommet.

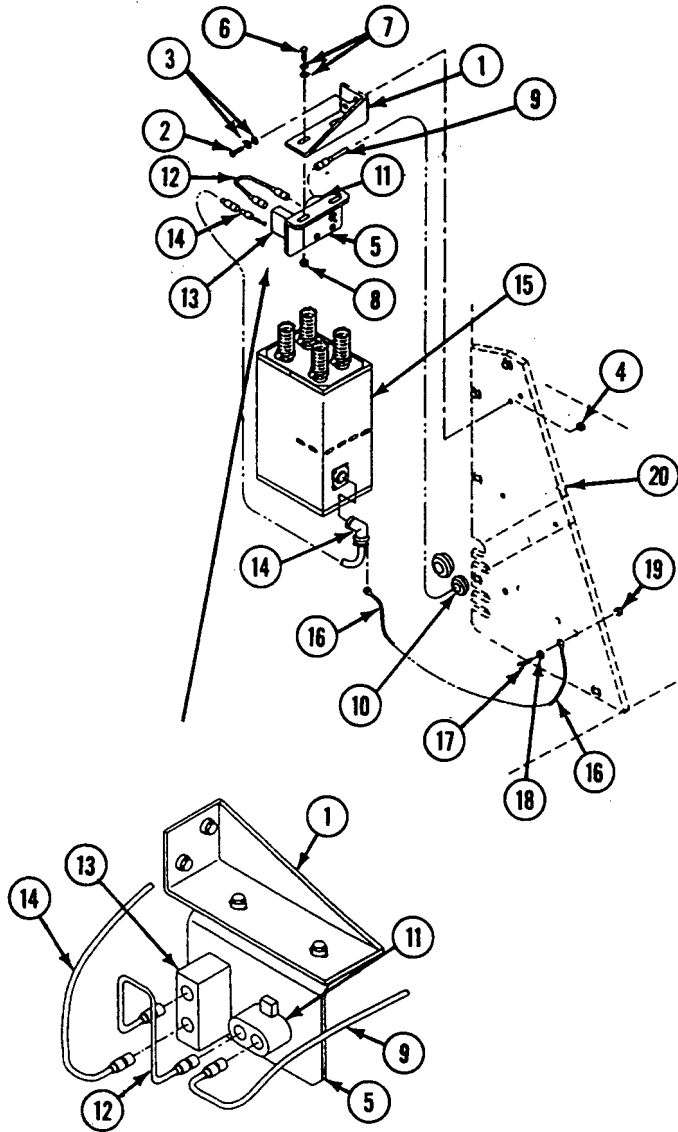


REPLACE M8A3 NBC CABLES, SWITCH ASSEMBLY, AND BRACKETS (M577A3 ONLY)

0801 00

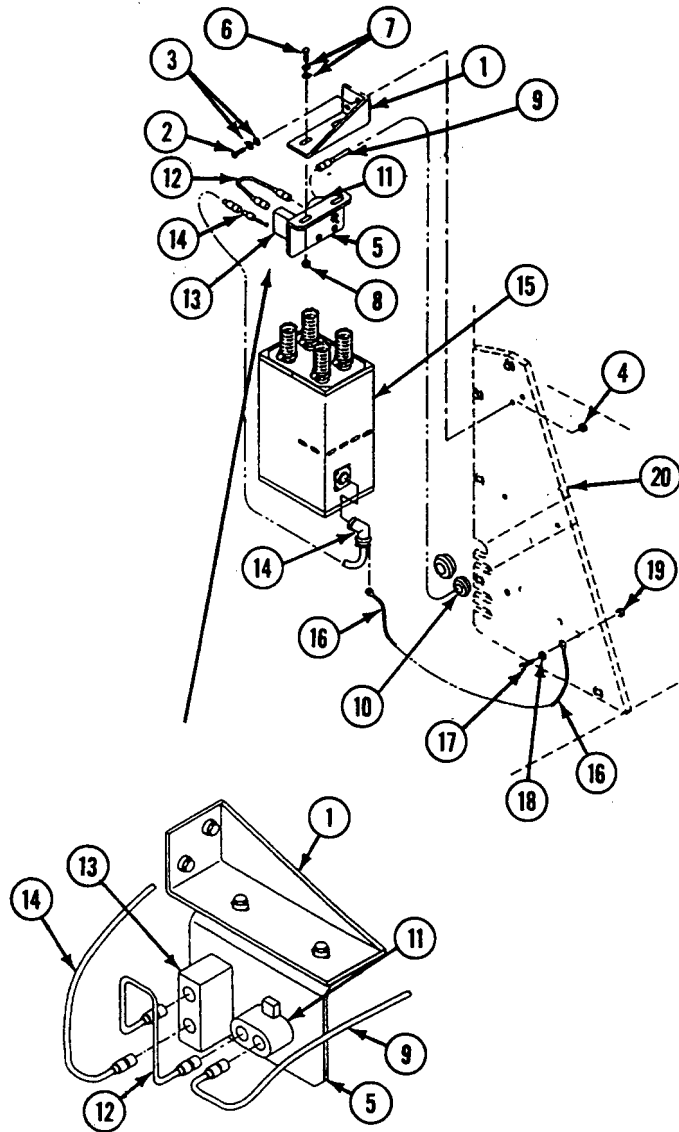
— Continued

6. Install bracket (1), two screws (2), four washers (3) and two new locknuts (4) on forward compartment bulkhead.
7. Install circuit breaker and switch assembly (5), two screws (6), four washers (7), and two new locknuts (8) on bracket (1).
8. Install cable (9) with grommet (10) on circuit breaker (11) on circuit breaker and switch assembly (5).



REPLACE M8A3 NBC CABLES, SWITCH ASSEMBLY, AND BRACKETS (M577A3 ONLY)**0801 00****— Continued**

9. Install cable (12) on circuit breaker (11) and switch (13) on circuit breaker and switch assembly (5).
10. Install power cable (14) on switch (13) on circuit breaker and switch assembly (5) and air purifier (15).
11. Install ground lead (16), screw (17), washer (18), and new locknut (19) on frame (20).

**FOLLOW-THROUGH STEPS**

1. Install driver's instrument panel 9WP 0295 00).
2. Connect battery ground lead (WP 0338 00).
3. Raise and lock ramp (see your -10).

END OF TASK

**REPLACE NBC FILTER SWITCH ASSEMBLY (M113A3 AND M113A3
AMBULANCE ONLY)**

0802 00

THIS WORK PACKAGE COVERS:

Removal (page 0802 00-1).
Installation (page 0802 00-3).

INITIAL SETUP:

Maintenance Level

Unit

Personnel Required

Unit Mechanic

Tools and Special Tools

General Mechanic's Tool Kit (WP 0926 00, Item 65)

References

See your -10

Materials/Parts

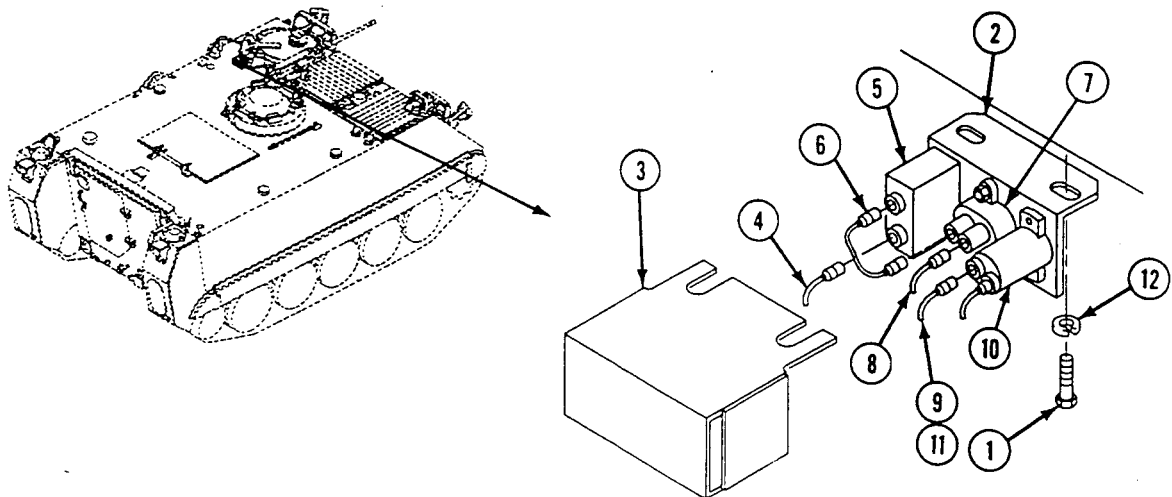
Lockwasher (2)
Lockwasher (2)
Lockwasher (2)
Lockwasher (2)

Equipment Condition

Engine stopped (see your -10)
Carrier blocked (see your -10)
Battery ground strap disconnected (WP 0337 00)

REMOVAL

1. Loosen two mounting screws (1) securing air filter switch assembly (2) to transverse beam. Remove cover (3) from switch assembly.
2. Remove circuit 579C lead (4) from air filter switch (5) on switch assembly (2).
3. Remove jumper lead (6) from air filter switch (5) and circuit breaker (7).

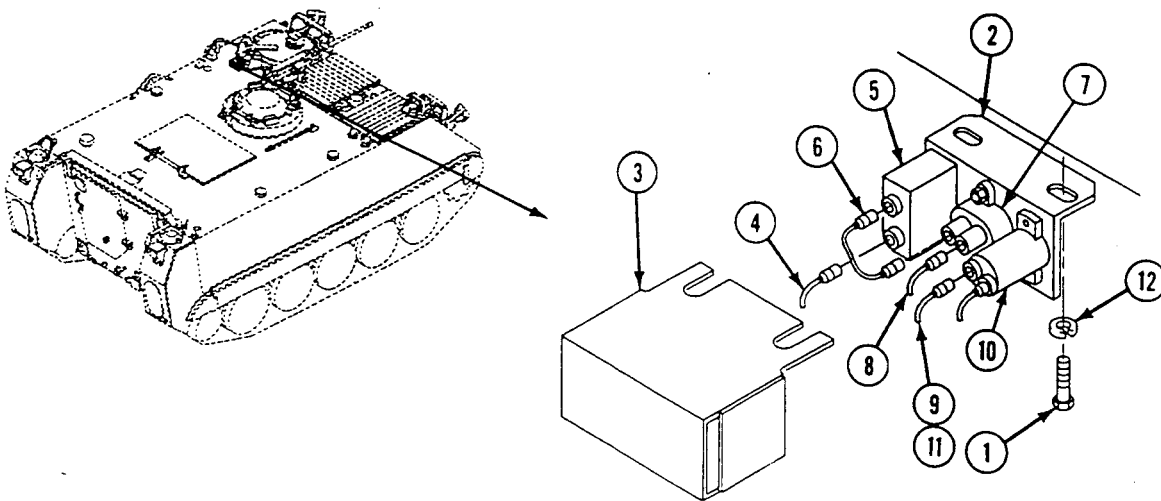


REPLACE NBC FILTER SWITCH ASSEMBLY (M113A3 AND M113A3 AMBULANCE ONLY)**0802 00****— Continued**

4. Remove circuit 579A lead (8) from circuit breaker (7).

NOTE**For M113A3, do Step 5. For M113A3 Ambulance, do Step 6.**

5. Remove circuit 537C lead (9) from air filter ON lamp (10).
6. Remove circuit 537F lead (11) from air filter ON lamp (10).
7. Remove two mounting screws (1), lockwashers (12), and switch assembly (2) from transverse beam. Discard lockwashers.



— Continued

NOTE

Remove following components, as needed, for repair of switch assembly.

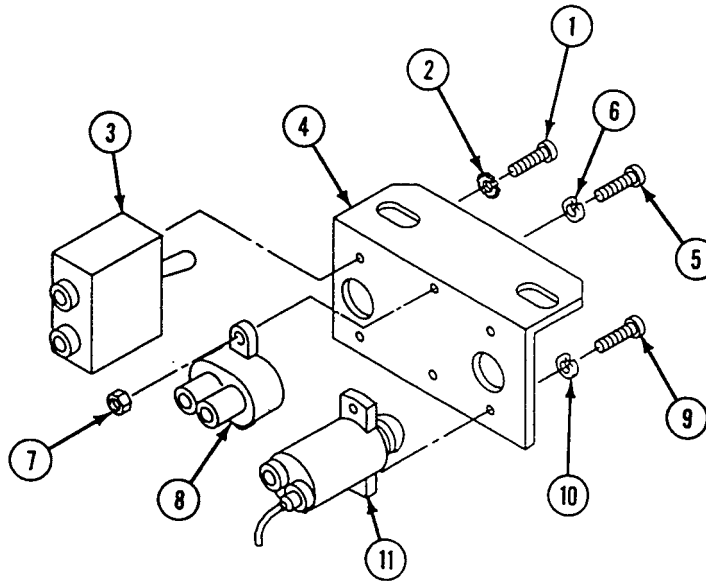
8. Remove two screws (1), lockwashers (2), and air filter switch (3) from switch assembly (4). Discard lockwashers.
9. Remove two screws (5), lockwashers (6), nuts (7), and circuit breaker (8) from switch assembly (4). Discard lockwashers.
10. Remove two screws (9), lockwashers (10), and air filter ON lamp (11) from switch assembly (4). Discard lockwashers.

INSTALLATION

NOTE

Install following components, as needed, for repair of switch assembly.

1. Install air filter ON lamp (11) on switch assembly (4). Secure with two screws (9) and new lockwashers (10).
2. Install circuit breaker (8) on switch assembly (4). Secure with two screws (5), new lockwashers (6), and nuts (7).
3. Install air filter switch (3) on switch assembly (4). Secure with two screws (1) and new lockwashers (2).



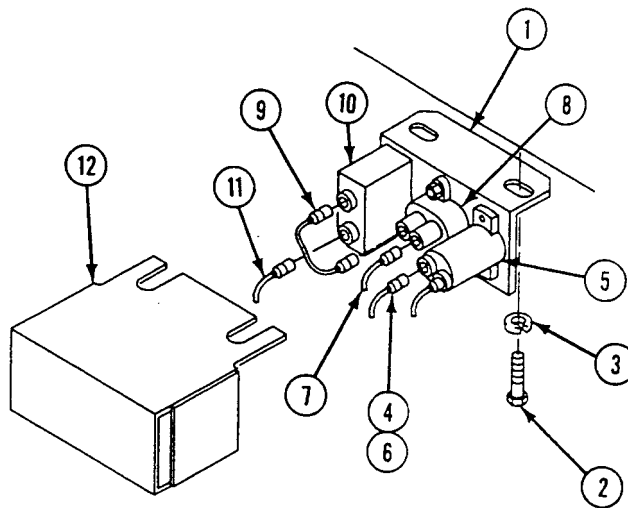
REPLACE NBC FILTER SWITCH ASSEMBLY (M113A3 AND M113A3 AMBULANCE ONLY)**0802 00****— Continued**

4. Install switch assembly (1) on transverse beam. Secure with two mounting screws (2) and new lockwashers (3). Do not tighten screws at this time.

NOTE

For M113A3 Ambulance, do Step 5. For M113A3, do Step 6.

5. Install circuit 537F lead (4) on air filter ON lamp (5).
6. Install circuit 537C lead (6) on air filter ON lamp (5).
7. Install circuit 579A lead (7) on circuit breaker (8).
8. Install jumper lead (9) on air filter switch (10) and circuit breaker (8).
9. Install circuit 579C lead (11) on air filter switch (10) on switch assembly (1).
10. Install cover (12) on air filter switch assembly (1). Tighten mounting screws (2) securing switch assembly to transverse beam.

**FOLLOW-THROUGH STEPS**

1. Connect battery ground strap (WP 0337 00).

END OF TASK

REPLACE M13 NBC FILTER SWITCH AND MOUNT BRACKET (M577A3 ONLY)

0803 00

THIS WORK PACKAGE COVERS:

Removal (page 0803 00-1).
 Installation (page 0803 00-3).

INITIAL SETUP:

Maintenance Level

Unit

References

See your -10

Tools and Special Tools

General Mechanic's Tool Kit (WP 0926 00, Item 65)

Equipment Condition

Engine stopped (see your -10)

Materials/Parts

Locknut (4)

Carrier blocked (see your -10)

Personnel Required

Unit Mechanic

Battery ground lead disconnected (WP 0338 00)

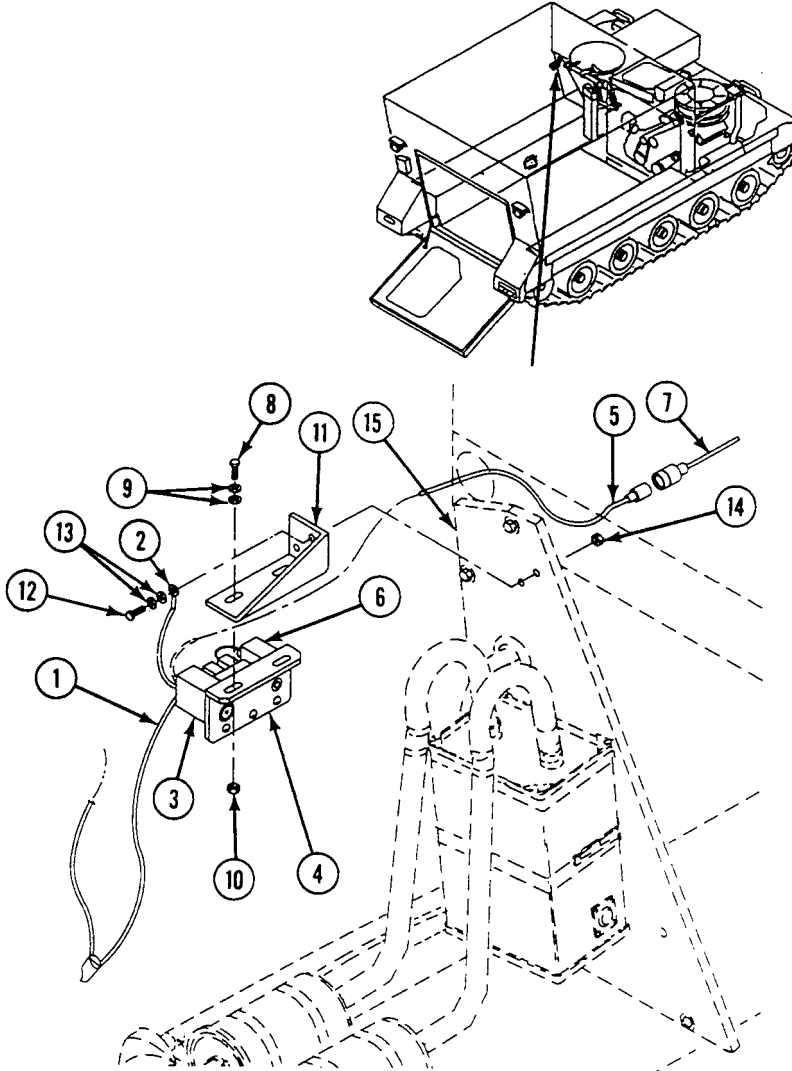
REMOVAL

1. Disconnect circuit 537F (1) and ground lead (2) from light (3) on switch assembly (4).
2. Disconnect circuit 579A (5) from circuit breaker (6) on switch assembly (4) and circuit lead 415 (7).
3. Remove two screws (8), four washers (9), two locknuts (10), and switch assembly (4) from bracket (11). Discard locknuts.

**REPLACE M13 NBC FILTER SWITCH AND MOUNT BRACKET (M577A3 ONLY) —
Continued**

0803 00

4. Remove two screws (12), four washers (13), two locknuts (14), ground lead (2), and bracket (11) from frame (15). Discard locknuts.

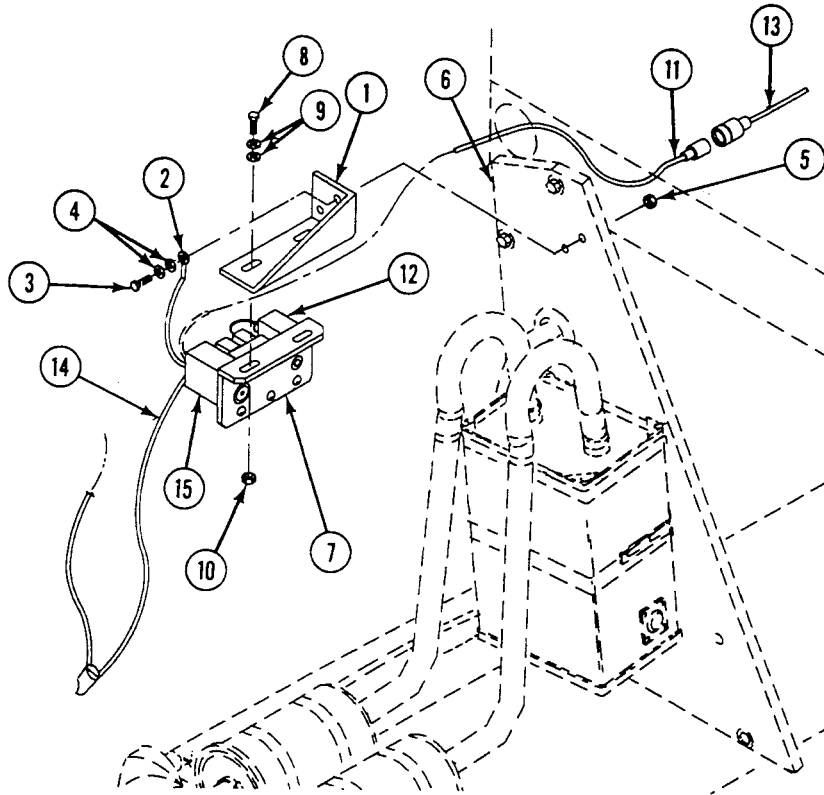


REPLACE M13 NBC FILTER SWITCH AND MOUNT BRACKET (M577A3 ONLY) —
Continued

0803 00

INSTALLATION

1. Install bracket (1), ground lead (2), two screws (3), four washers (4), and two new locknuts (5) on frame (6).
2. Install switch assembly (7), two screws (8), four washers (9), and two new locknuts (10) on bracket (1).
3. Connect circuit 579A (11) to circuit breaker (12) on switch assembly (7) and circuit lead 415 (13).
4. Connect circuit 537F (14) and ground lead (2) to light (15) on switch assembly (7).

**FOLLOW-THROUGH STEPS**

1. Connect battery ground lead (WP 0338 00).

END OF TASK

REPLACE M8A3/M3 NBC FILTER SWITCH ASSEMBLY (M1059A3 ONLY)

0804 00

THIS WORK PACKAGE COVERS:

Removal (page 0804 00-1).
 Installation (page 0804 00-3).

INITIAL SETUP:

Maintenance Level

Unit

Personnel Required

Unit Mechanic

Tools and Special Tools

General Mechanic's Tool Kit (WP 0926 00, Item 65)

References

See your -10

Materials/Parts

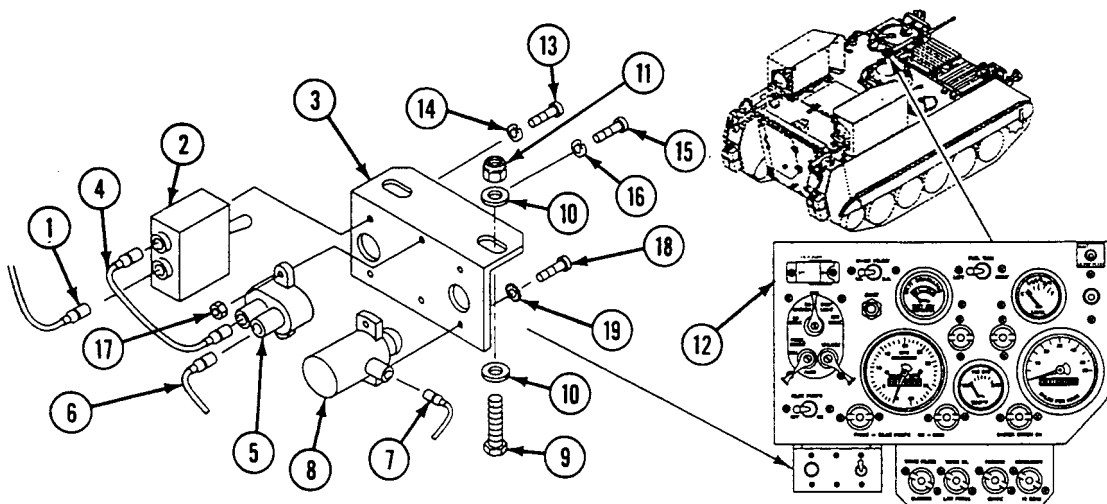
Locknut (4)
 Lockwasher (2)
 Lockwasher (2)
 Lockwasher (2)

Equipment Condition

Engine stopped (see your -10)
 Carrier blocked (see your -10)
 Battery ground strap disconnected (WP 0337 00)

REMOVAL

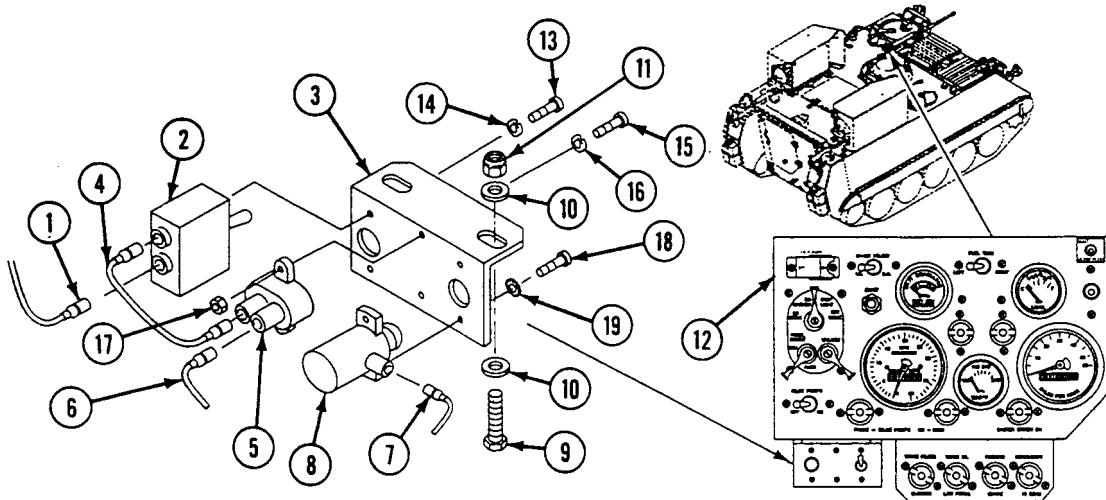
1. Remove circuit 579C lead (1) from air filter switch (2) on switch assembly (3).
2. Remove jumper lead (4) from air filter switch (2) and circuit breaker (5) on switch assembly (3).
3. Remove circuit 579A lead (6) from circuit breaker (5) on switch assembly (3).
4. Remove circuit 537C lead (7) from air filter ON lamp (8) on switch assembly (3).
5. Remove two mounting screws (9), four washers (10), two locknuts (11), and switch assembly (3) from instrument panel (12). Discard locknuts.



NOTE

Remove following components, as needed, for repair of switch assembly.

6. Remove two screws (13), lockwashers (14), and air filter switch (2) from switch assembly (3). Discard lockwashers.
7. Remove two screws (15), lockwashers (16), nuts (17), and circuit breaker (5) from switch assembly (3). Discard lockwashers.
8. Remove two screws (18), lockwashers (19), and air filter ON lamp (8) from switch assembly (3). Discard lockwashers.

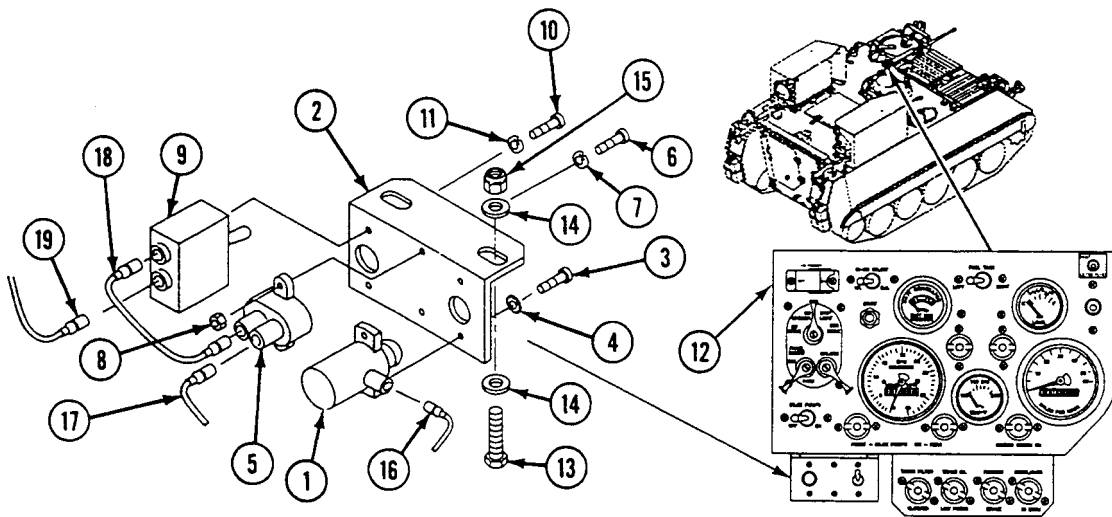


INSTALLATION

NOTE

Install following components, as needed, for repair of switch assembly.

1. Install air filter ON lamp (1) on switch assembly (2). Secure with two screws (3) and new lockwashers (4).
2. Install circuit breaker (5) on switch assembly (2). Secure with two screws (6), new lockwashers (7), and nuts (8).
3. Install air filter switch (9) on switch assembly (2). Secure with two screws (10) and new lockwashers (11).
4. Install switch assembly (2) on instrument panel (12). Secure with two mounting screws (13), four washers (14), and new locknuts (15).
5. Install circuit 537C lead (16) on air filter ON lamp (1) on switch assembly (2).
6. Install circuit 579A lead (17) on circuit breaker (5) on switch assembly (2).
7. Install jumper lead (18) on air filter switch (9) and circuit breaker (5).
8. Install circuit 579C lead (19) on air filter switch (9) on switch assembly (2).



FOLLOW-THROUGH STEPS

1. Connect battery ground strap (WP 0337 00).
2. Start engine (see your -10).
3. Raise and lock ramp (see your -10).
4. Stop engine (see your -10).

END OF TASK

REPLACE M13 NBC FILTER SWITCH (M1068A3 ONLY)

0805 00

THIS WORK PACKAGE COVERS:

Removal (page 0805 00-1).
 Installation (page 0805 00-2).

INITIAL SETUP:

Maintenance Level

Unit

Personnel Required

Unit Mechanic

Tools and Special Tools

General Mechanic's Tool Kit (WP 0926 00, Item 65)

References

See your -10

Materials/Parts

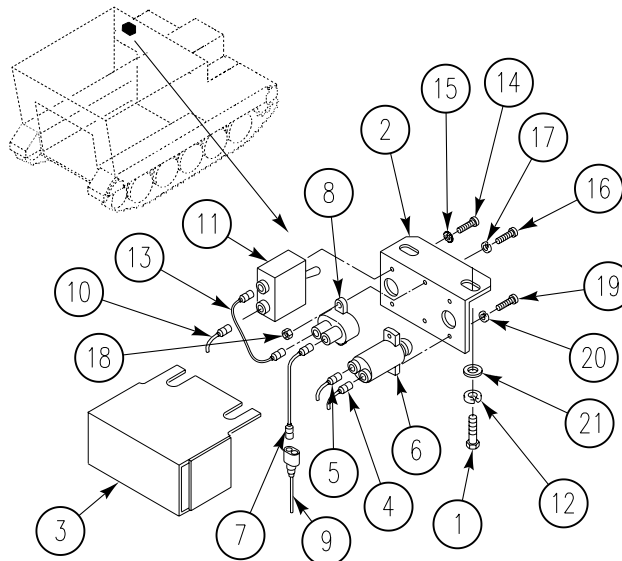
Lockwasher (2)
 Lockwasher (2)
 Lockwasher (2)
 Lockwasher (2)

Equipment Condition

Engine stopped (see your -10)
 Carrier blocked (see your -10)
 Battery ground lead disconnected (WP 0338 00)

REMOVAL

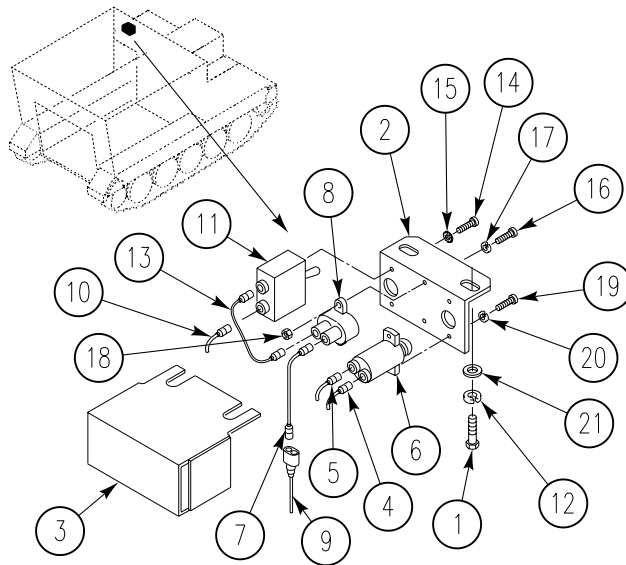
1. Loosen two mounting screws (1) securing air filter switch assembly (2) to top plate. Remove cover (3) from switch assembly.
2. Remove circuit 537C lead (4) and ground lead (5) from air filter ON lamp (6) on switch assembly (2).
3. Remove circuit 579A lead (7) from circuit breaker (8) on switch assembly (2) and Y-connector (9).
4. Remove circuit 579C lead (10) from air filter switch (11) on switch assembly (2).
5. Remove two mounting screws (1), lockwashers (12), washers (21), and switch assembly (2) from top plate. Discard lockwashers.



NOTE

Remove following components, as needed, for repair of switch assembly.

6. Remove circuit 579B lead (13) from air filter switch (11) and circuit breaker (8).
7. Remove two screws (14), lockwashers (15), and air filter switch (11) from switch assembly (2). Discard lockwashers.
8. Remove two screws (16), lockwashers (17), nuts (18), and circuit breaker (8) from switch assembly (2). Discard lockwashers.
9. Remove two screws (19), lockwashers (20), and air filter ON lamp (6) from switch assembly (2). Discard lockwashers.



INSTALLATION

NOTE

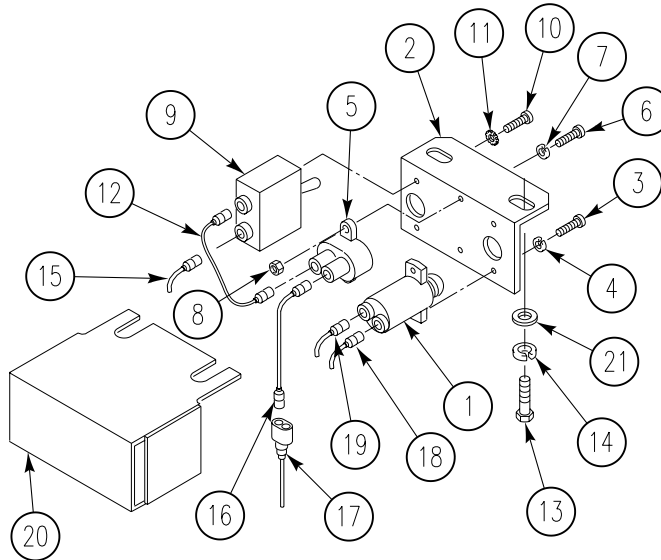
Install following components, as needed, for repair of switch assembly.

1. Install air filter ON lamp (1) on switch assembly (2). Secure with two screws (3) and new lockwashers (4).
2. Install circuit breaker (5) on switch assembly (2). Secure with two screws (6), new lockwashers (7), and nuts (8).
3. Install air filter switch (9) on switch assembly (2). Secure with two screws (10) and new lockwashers (11).
4. Install circuit 579B lead (12) on air filter switch (9) and circuit breaker (5).

REPLACE M13 NBC FILTER SWITCH (M1068A3 ONLY) — Continued

0805 00

5. Install switch assembly (2) on top plate. Secure with two mounting screws (13), washers (21) and new lockwashers (14). Do not tighten screws at this time.
6. Install circuit 579C lead (15) on air filter switch (9) on switch assembly (2).
7. Install circuit 579A lead (16) on circuit breaker (5) on switch assembly (2) and Y-connector (17).
8. Install circuit 537C lead (18) and ground lead (19) on air filter ON lamp (1) on switch assembly (2).
9. Install cover (20) on air filter switch assembly (2). Tighten mounting screws (13) securing switch assembly to top plate.



FOLLOW-THROUGH STEPS

1. Connect battery ground lead (WP 0338 00).
2. Start engine (see your -10).
3. Raise and lock ramp (see your -10).
4. Stop engine (see your -10).

END OF TASK

REPLACE M3 NBC HEATER WIRING HARNESS (M1059A3 ONLY)

0806 00

THIS WORK PACKAGE COVERS:

Removal (page 0806 00-1).
 Installation (page 0806 00-3).

INITIAL SETUP:

Maintenance Level

Unit

References

See your -10

Tools and Special Tools

General Mechanic's Tool Kit (WP 0926 00, Item 65)

Equipment Condition

Engine stopped (see your -10)

Materials/Parts

Strap (as required)

Carrier blocked (see your -10)

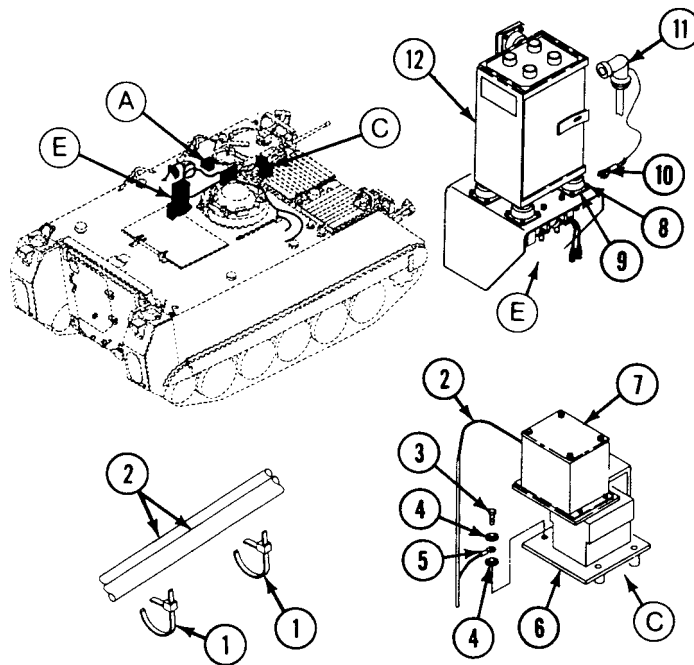
Personnel Required

Unit Mechanic

Battery ground strap disconnected (WP 0337 00)

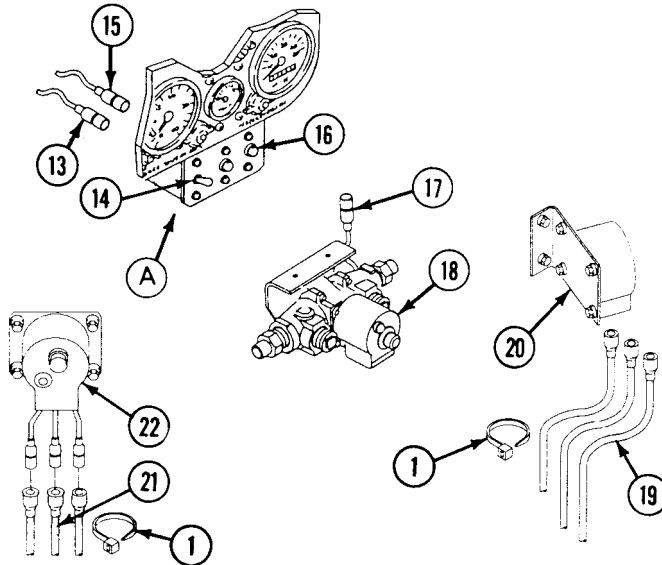
REMOVAL

1. Cut tie straps (1) that hold NBC wiring harness (2) to adjacent cables. Discard tie straps.
2. Remove screw (3), washers (4), and ground lead (5) from regulator bracket (6).
3. Disconnect wiring harness (2) from NBC control box (7).
4. Loosen screw (8) on mount (9) and remove ground lead (10).
5. Remove lead 538A (11) with ground lead (10) from air purifier (12).



REPLACE M3 NBC HEATER WIRING HARNESS (M1059A3 ONLY) — Continued**0806 00**

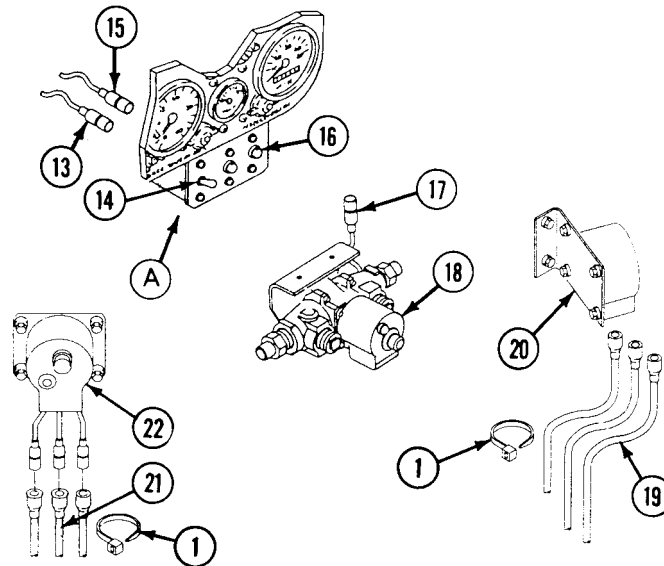
6. Remove circuit lead 579C (13) from air filter switch (14).
7. Remove circuit lead 537C (15) from air filter ON lamp (16).
8. For M1059A3 only, remove circuit lead 537D (17) from operator's heater (18).
9. Remove circuit lead 537A (19) from driver's heater controller (20).
10. Remove circuit lead 537B (21) from commander's heater controller (22).



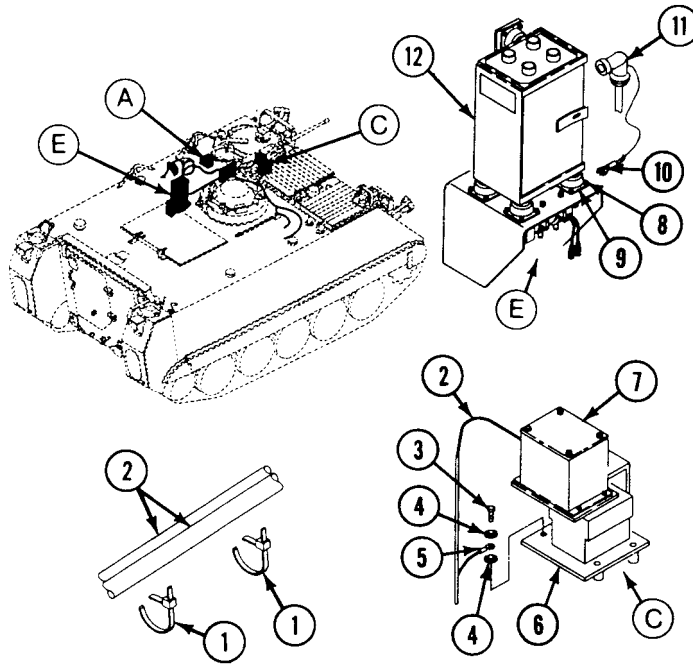
11. Remove NBC heater wiring harness from vehicle.

INSTALLATION

1. Lay out NBC heater wiring harness in vehicle.
2. Connect circuit lead 537B (21) to commander's heater controller (22).
3. Connect circuit lead 537A (19) to driver's heater controller (20).
4. For M1059A3 only, connect circuit lead 537D (17) to operator's heater (18).
5. Connect circuit lead 537C (15) to air filter ON lamp (16).
6. Connect circuit lead 579C (13) to air filter switch (14).



7. Connect circuit lead 538A (11) with ground lead (10) to air filter purifier (12).
8. Install ground lead (10) under mount (9) and tighten screw (8).
9. Connect wiring harness (2) to NBC control box (7).
10. Install ground lead (5), screw (3), and washers (4) on regulator bracket (6).
11. Secure wiring harness (2) to adjacent cables with new tie straps (1) as needed.



FOLLOW-THROUGH STEPS

1. Connect battery ground strap (WP 0337 00).

END OF TASK

REPLACE M14 NBC HEATER WIRING HARNESS (M113A3 AMBULANCE ONLY)

0807 00

THIS WORK PACKAGE COVERS:

Removal (page 0807 00-1).
 Installation (page 0807 00-4).

INITIAL SETUP:

Maintenance Level

Unit

References

See your -10

Tools and Special Tools

General Mechanic's Tool Kit (WP 0926 00, Item 65)

Equipment Condition

Engine stopped (see your -10)

Materials/Parts

Strap (as required)

Carrier blocked (see your -10)

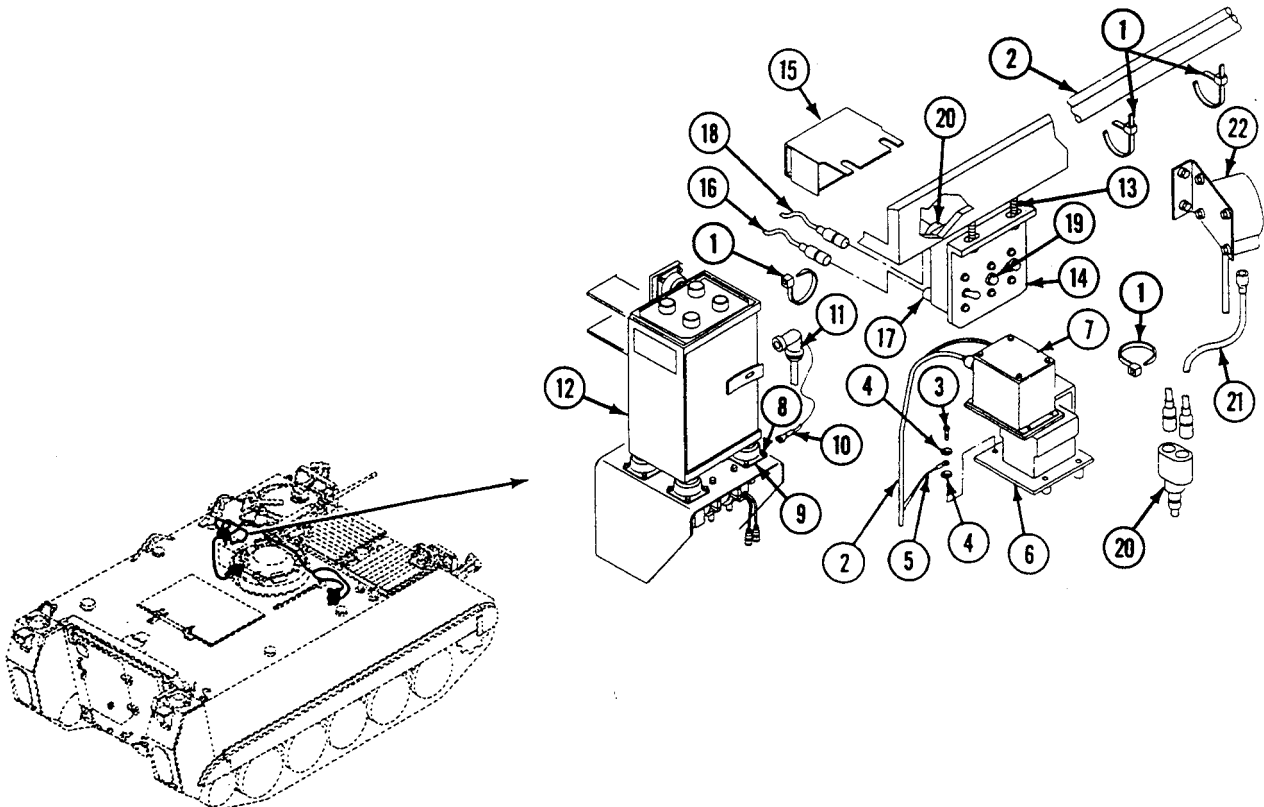
Personnel Required

Unit Mechanic

Battery ground strap disconnected (WP 0337 00)

REMOVAL

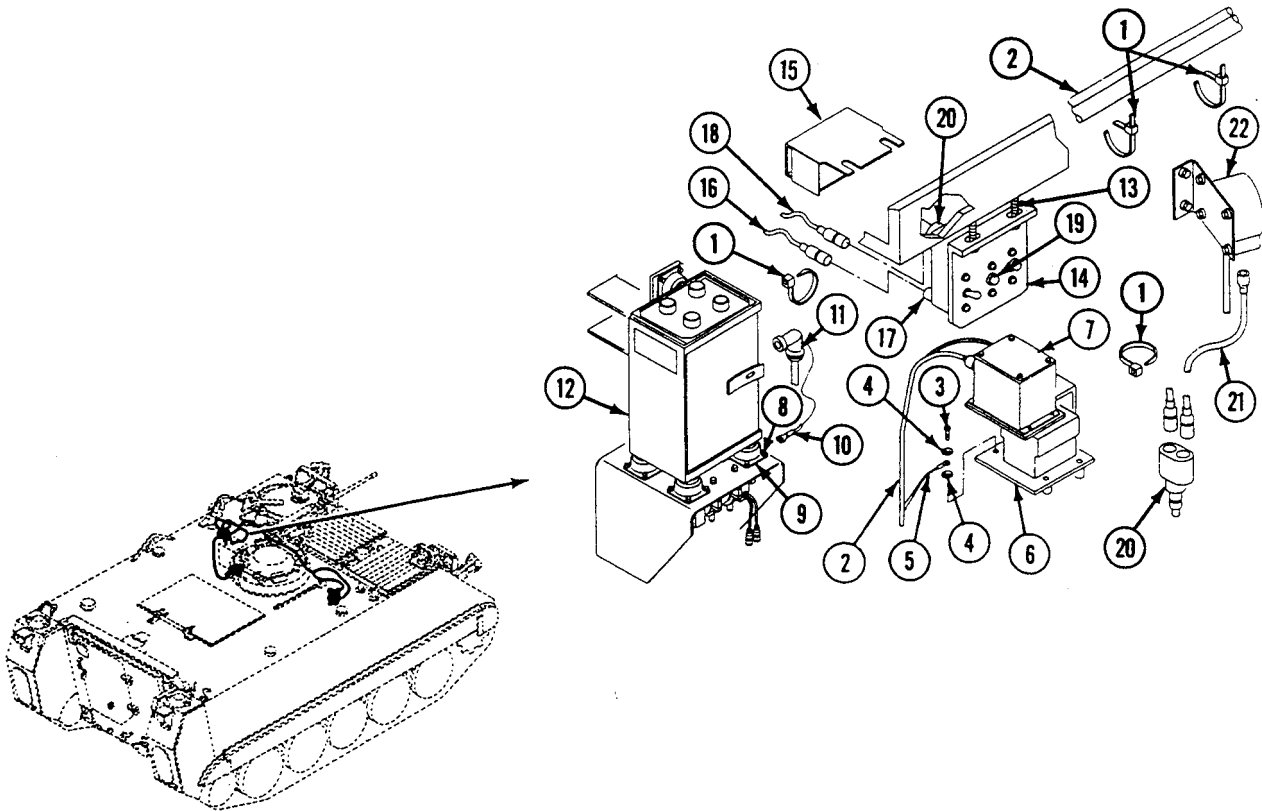
1. Cut and remove all straps (1) securing NBC wiring harness (2) to adjacent cables and hoses. Discard straps.
2. Remove screw (3), washers (4), and ground lead (5) from regulator bracket (6).
3. Disconnect NBC wiring harness (2) from NBC control box (7).
4. Loosen screw (8) on air purifier resilient mount (9) and remove ground lead (10).



**REPLACE M14 NBC HEATER WIRING HARNESS (M113A3 AMBULANCE ONLY) —
Continued**

0807 00

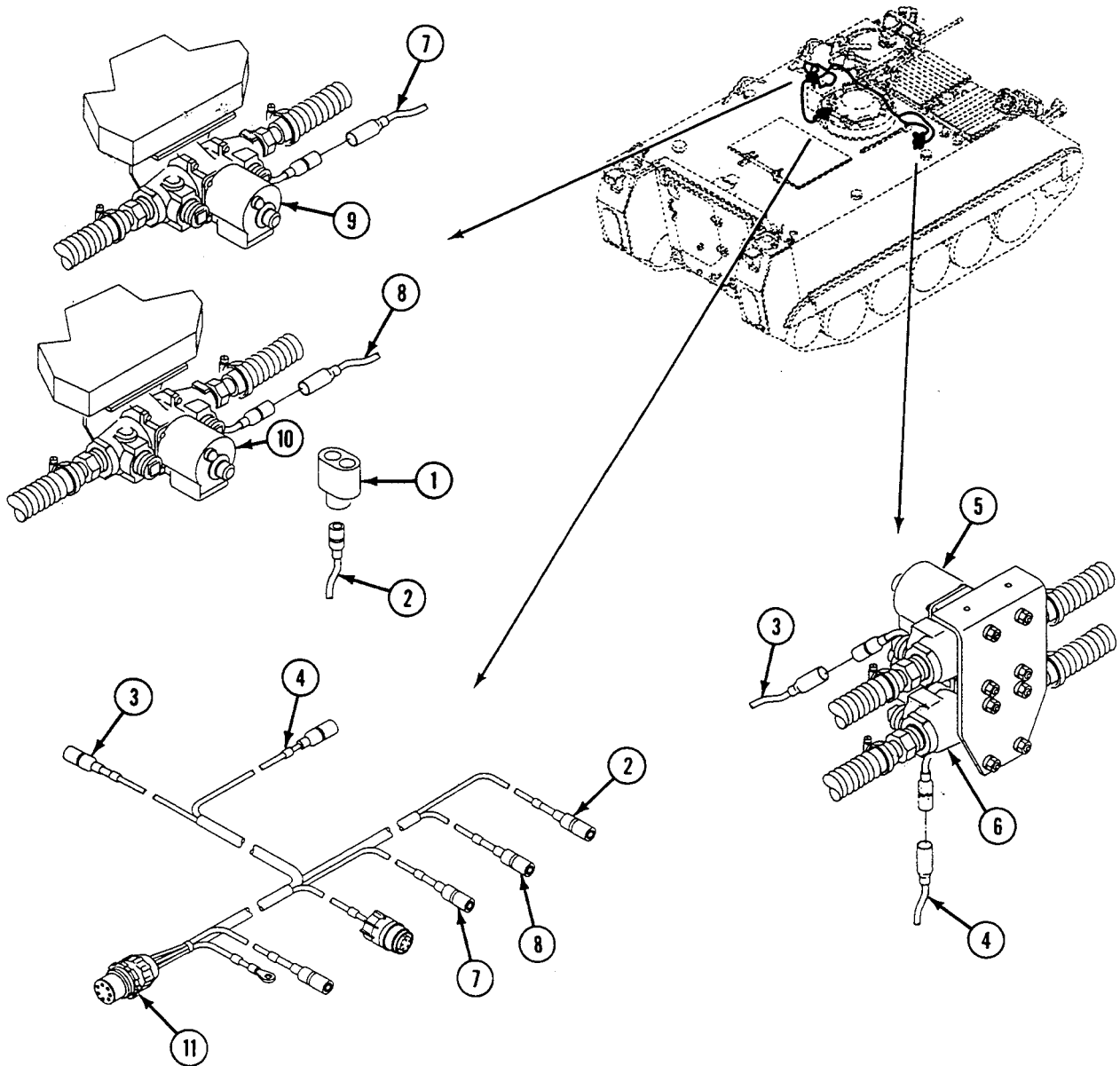
5. Remove circuit 538A lead (11) with ground lead (10) from air purifier (12).
6. Loosen two mounting screws (13) securing air filter switch assembly (14) to transverse beam. Remove cover (15) from switch assembly.
7. Remove circuit 579C lead (16) from air filter switch (17).
8. Remove circuit 537F lead (18) from air filter ON lamp (19) and connector (20).
9. Remove circuit 537G lead (21) from driver's heater controller (22) and connector (20).



**REPLACE M14 NBC HEATER WIRING HARNESS (M113A3 AMBULANCE ONLY) —
Continued**

0807 00

10. Remove connector (1) from circuit 537E lead (2).
11. Remove circuit 537A lead (3) and circuit 537B lead (4) from right-side patient's heaters (5) and (6).
12. Remove circuit 537C lead (7) and circuit 537D lead (8) from left-side patient's heaters (9) and (10).
13. Remove NBC wiring harness (11) from vehicle.

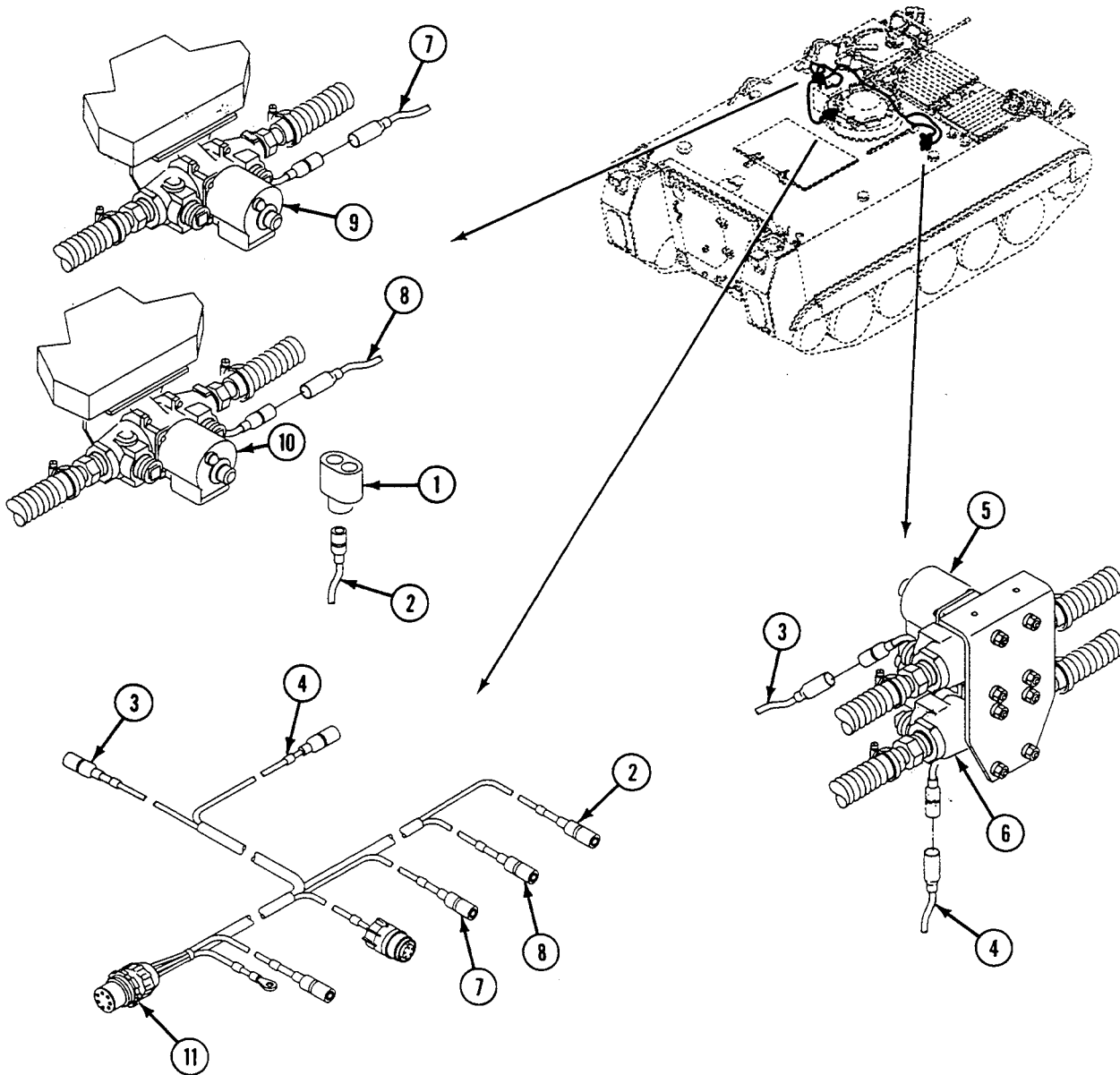


**REPLACE M14 NBC HEATER WIRING HARNESS (M113A3 AMBULANCE ONLY) —
Continued**

0807 00

INSTALLATION

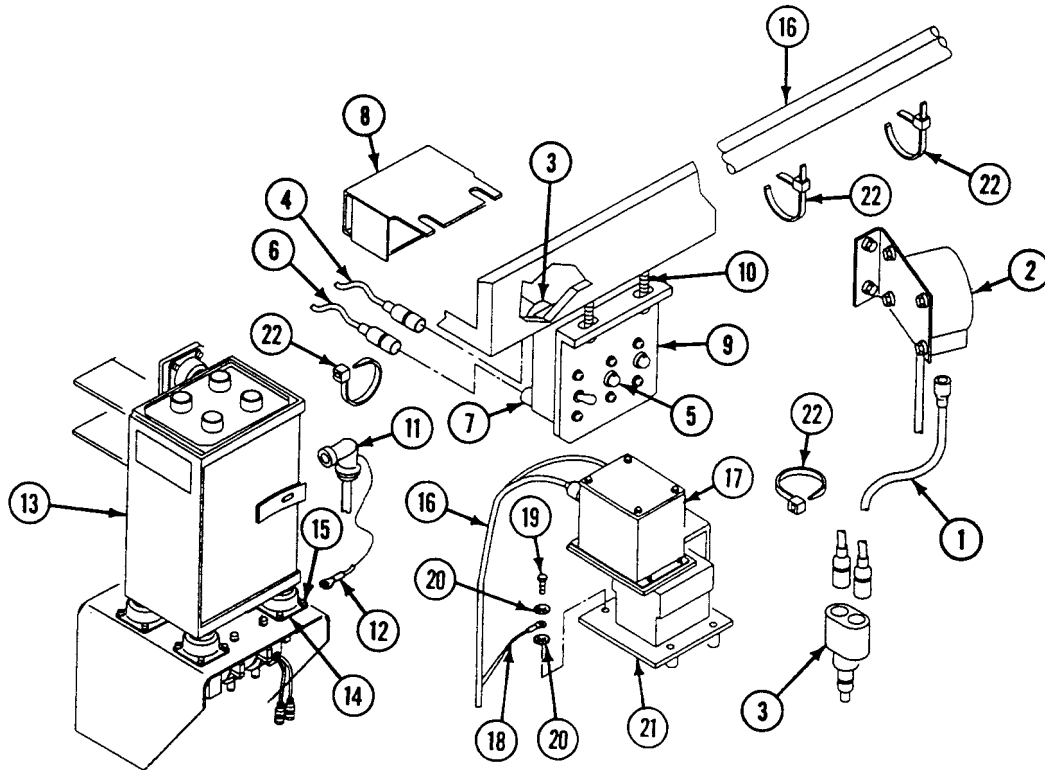
1. Lay out NBC wiring harness (11) in vehicle.
2. Install circuit 537C (7) and 537D (8) leads on left-side patient's heaters (9) and (10).
3. Install circuit 537A (3) and 537B (4) leads on right-side patient's heaters (5) and (6).



**REPLACE M14 NBC HEATER WIRING HARNESS (M113A3 AMBULANCE ONLY) —
Continued**

0807 00

4. Install circuit 537E lead (1) on connector (2).
5. Install circuit 537G lead (1) on driver's heater controller (2) and connector (3).
6. Install circuit 537F lead (4) on air filter ON lamp (5) and connector (3).
7. Install circuit 579C lead (6) on air filter switch (7).
8. Install cover (8) on air filter switch assembly (9). Tighten two mounting screws (10) that secure switch assembly to transverse beam.
9. Install circuit 538A lead (11) with ground lead (12) on air purifier (13).
10. Install ground lead (12) under air purifier resilient mount (14) and tighten screw (15).
11. Connect NBC wiring harness (16) to NBC control box (17).
12. Install ground lead (18), screw (19), and washers (20) on regulator bracket (21).
13. Secure NBC wiring harness (16) to adjacent cables with new straps (22) as needed.



REPLACE M14 NBC HEATER WIRING HARNESS (M113A3 AMBULANCE ONLY) —
Continued

0807 00

FOLLOW-THROUGH STEPS

1. Connect battery ground strap (WP 0337 00).
2. Start engine (see your -10).
3. Raise and lock ramp (see your -10).
4. Stop engine (see your -10).

END OF TASK

REPLACE M13 NBC HEATER WIRING HARNESS (M577A3 ONLY)

0808 00

THIS WORK PACKAGE COVERS:

- Removal (page 0808 00-1).
- Installation (page 0808 00-4).

INITIAL SETUP:

Maintenance Level

Unit

Personnel Required

Unit Mechanic

Tools and Special Tools

General Mechanic's Tool Kit (WP 0926 00, Item 65)

References

See your -10

Materials/Parts

- Locknut
- Lockwasher (4)
- Strap (as required)
- Grommet

Equipment Condition

- Engine stopped (see your -10)
- Carrier blocked (see your -10)
- Battery ground lead disconnected (WP 0338 00)

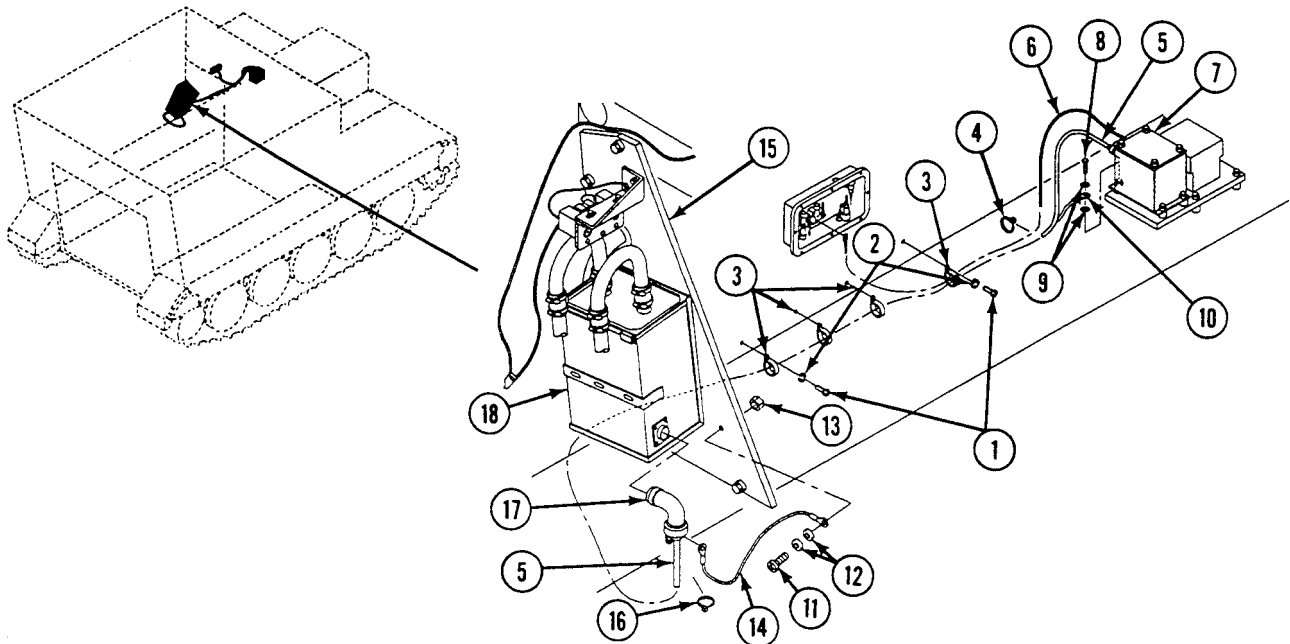
REMOVAL

1. Remove four screws (1), lockwashers (2), four clamps (3) and straps (4) from weldnuts in driver's compartment. Remove clamps from wiring harness (5) and cable (6). Discard lockwashers and straps.

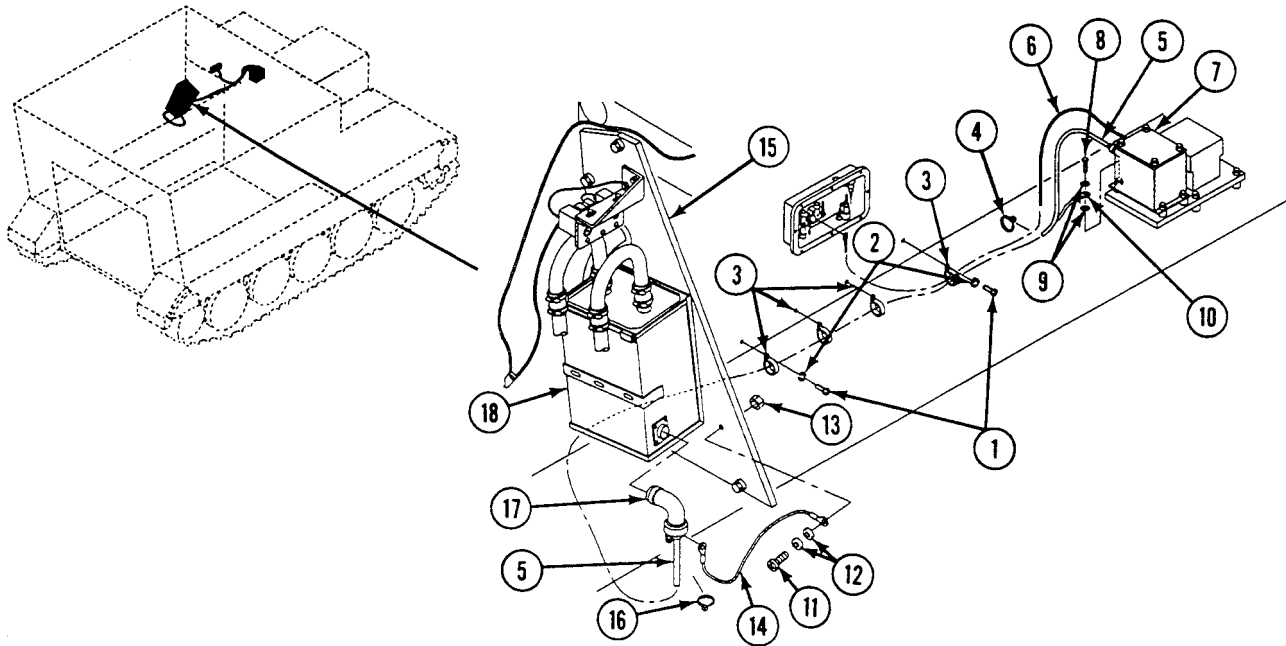
NOTE

Tag all leads and cables before removing.

2. Disconnect wiring harness (5) from control box (7).

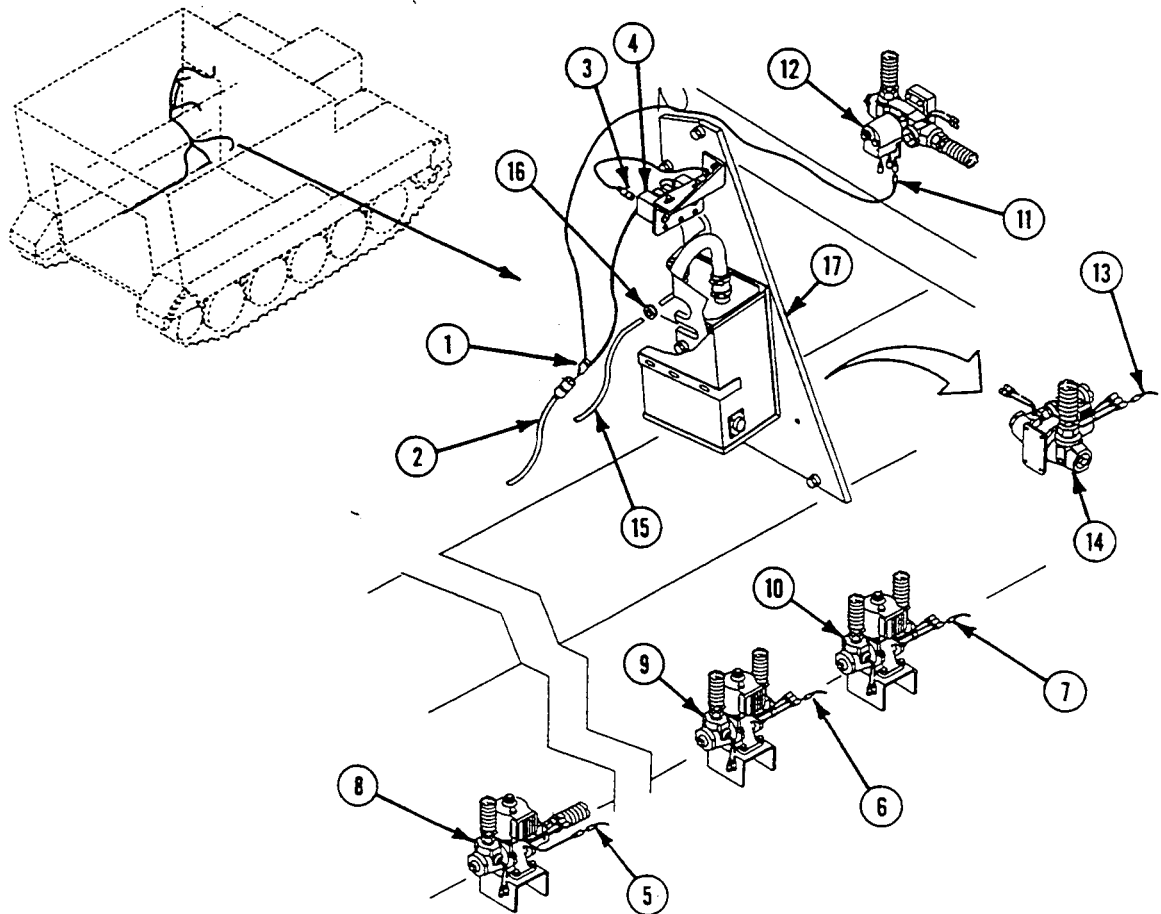


3. Remove screw (8), two lockwashers (9), and ground lead (10) from control box (7).
4. Remove screw (11), two washers (12), locknut (13), and ground lead (14) from frame (15). Discard locknut.
5. Cut strap (16) from ground lead (14) and wiring harness (5). Discard strap.
6. Loosen screw on cable connector (17) and remove ground lead (14).
7. Remove cable connector (17) from air purifier (18).



REPLACE M13 NBC HEATER WIRING HARNESS (M577A3 ONLY) — Continued**0808 00**

8. Remove lead 537A (1) from connector (2).
9. Remove lead 537B (3) from air filter switch (4).
10. Remove leads 537C (5), 537D (6), and 537E (7) from heaters (8)(9)(10) respectively.
11. Remove lead 537G (11) from commander's heater (12) and connector (2).
12. Remove lead 579C (13) from driver's heater (14).
13. Cut and remove all straps along wiring harness (15) and adjacent wiring harness. Discard straps.
14. Cut grommet (16) and pull wiring harness (15) through hole in frame (17). Discard grommet.

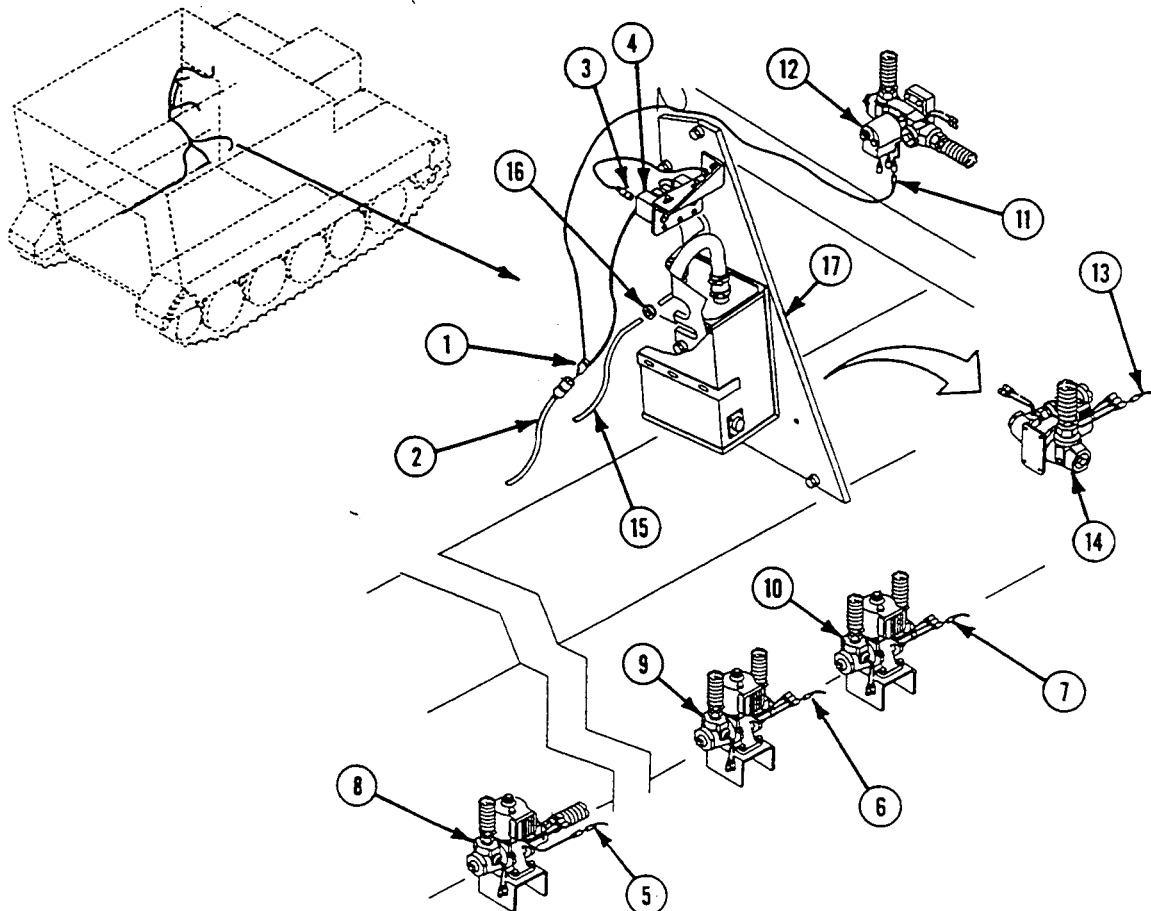


INSTALLATION

NOTE

Leads 579C and 537G must remain on driver's side of frame.

1. Install new grommet (16) on wiring harness (15). Route wiring harness through frame (17).
2. Install lead 579C (13) on driver's heater (14).
3. Install lead 537G (11) on commander's heater (12) and connector (2).
4. Install leads 537E (7), 537D (6), and 537C (5) on heaters (8)(9)(10) respectively.
5. Install lead 537B (3) on air filter switch (4).
6. Install lead 537A (1) on connector (2).
7. Install new straps along wiring harness (15) and adjacent wiring harness as required.

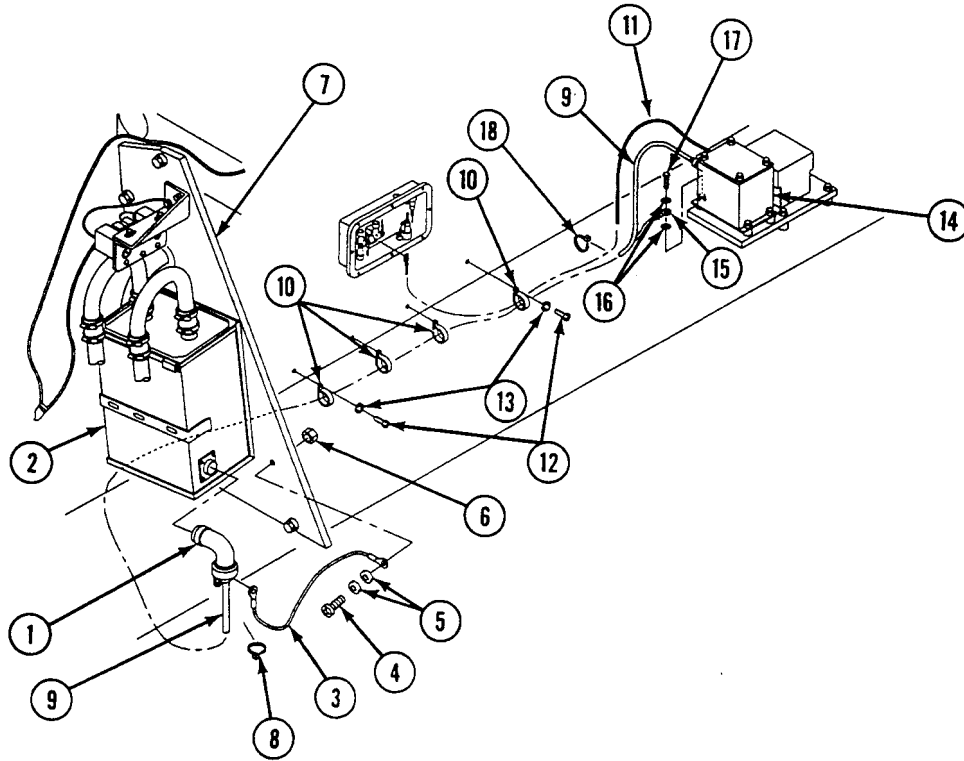


8. Install cable connector (1) on air purifier (2).
9. Install forked end of ground lead (3) on cable connector (1) and tighten screw on cable connector.

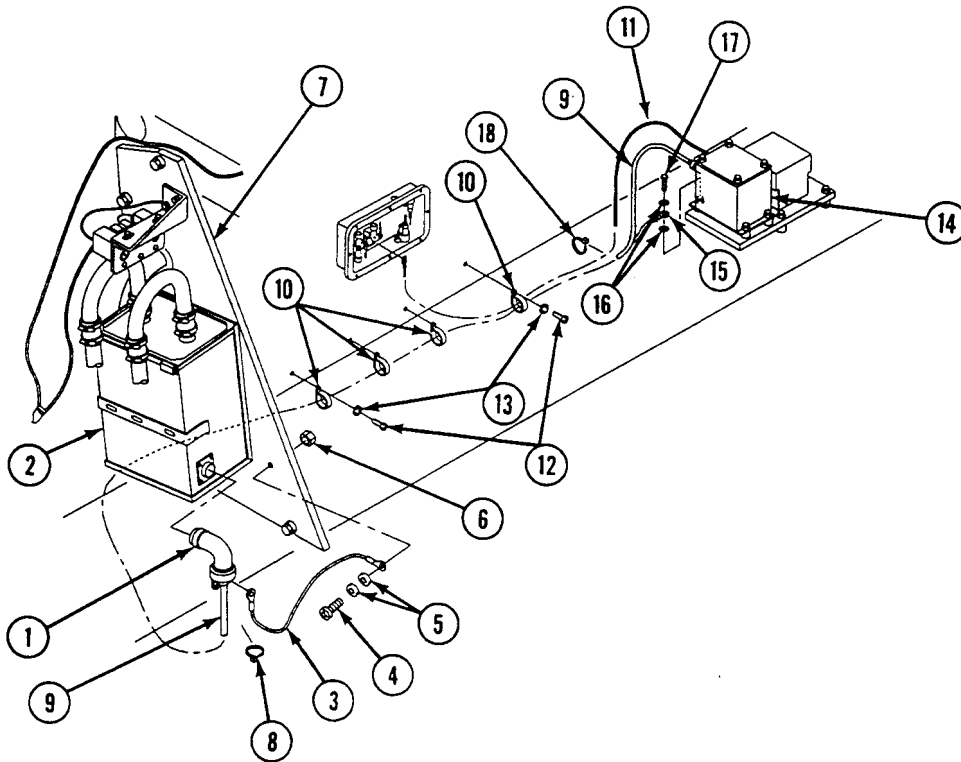
NOTE

To ensure proper grounding, remove any paint from frame at ground point.

10. Install ground lead (3), screw (4), two washers (5), and new locknut (6) on frame (7).
11. Install strap (8) on ground lead (3) and wiring harness (9).



12. In driver's compartment, install four clamps (10) on cable (11) and wiring harness (9).
13. Install four screws (12), new lockwashers (13), and four clamps (10) on weldnuts.
14. Connect wiring harness (9) to control box (14).
15. Install ground lead (15), two lockwashers (16), and screw (17) on control box (14).
16. Install new straps (18) along cable (11) and adjacent wiring harness (9).



FOLLOW-THROUGH STEPS

1. Connect battery ground lead (WP 0338 00).

END OF TASK

REPLACE M13 NBC HEATER WIRING HARNESS (M1068A3 ONLY)

0809 00

THIS WORK PACKAGE COVERS:

Removal (page 0809 00-2).
 Installation (page 0809 00-6).

INITIAL SETUP:

Maintenance Level

Unit

Personnel Required

Unit Mechanic

Tools and Special Tools

General Mechanic's Tool Kit (WP 0926 00, Item 65)

References

See your -10

Materials/Parts

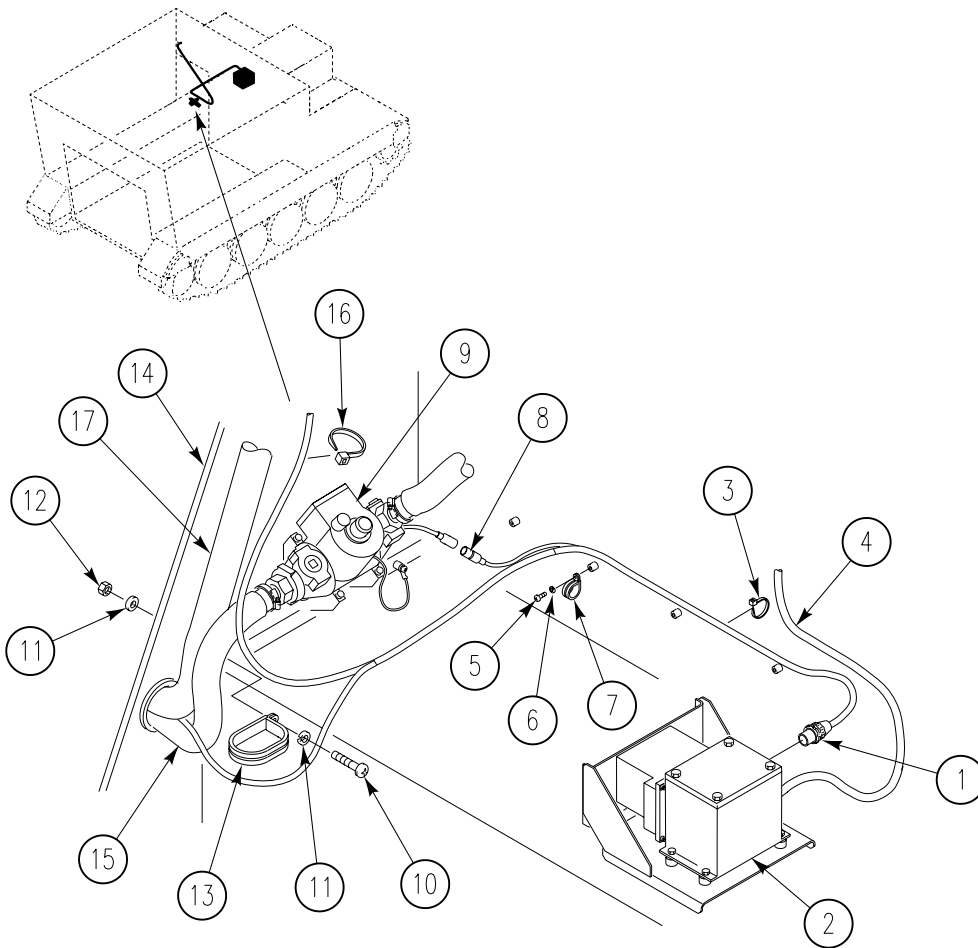
Strap (as required)
 Lockwasher (8)
 Locknut (4)
 Lockwasher
 Locknut

Equipment Condition

Engine stopped (see your -10)
 Carrier blocked (see your -10)
 Battery ground lead disconnected (WP 0338 00)

REMOVAL

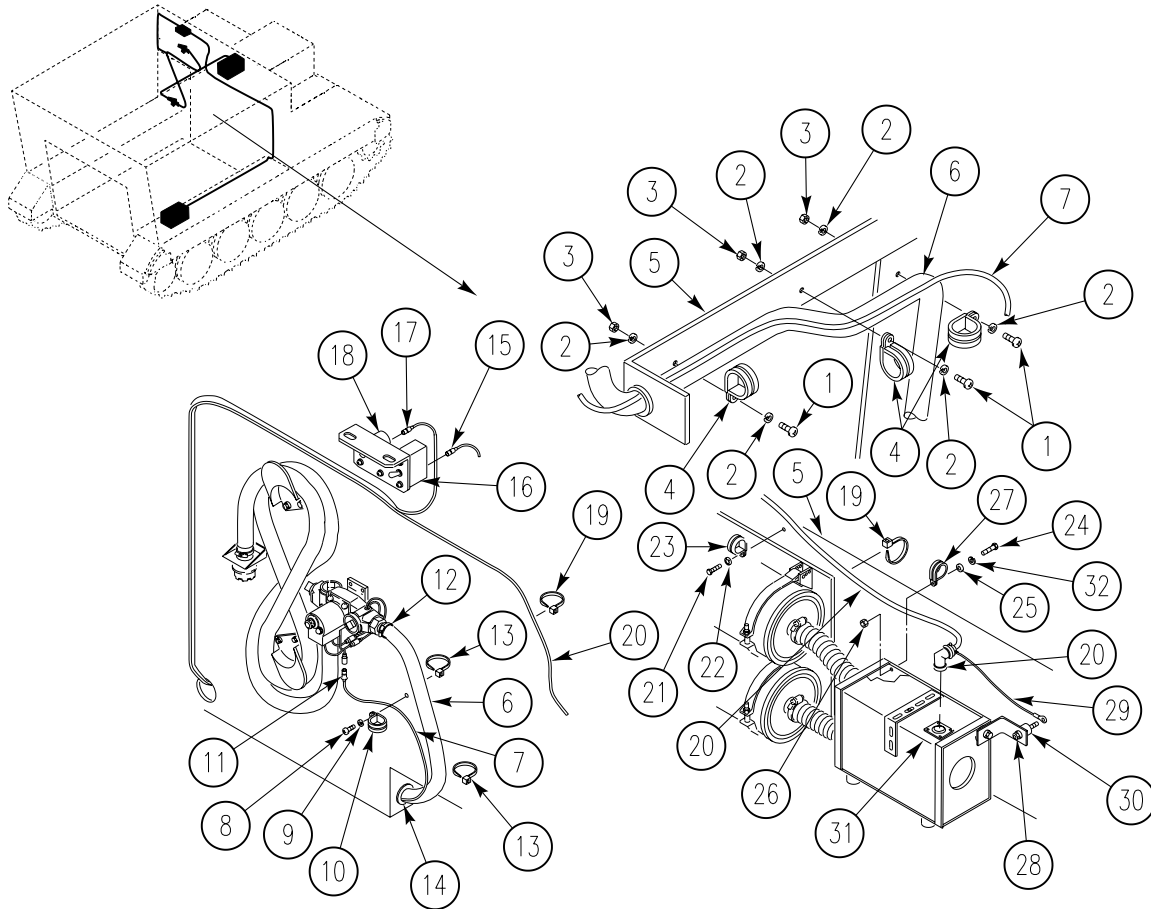
1. Disconnect wiring harness (1) from NBC control box (2).
2. Cut tie strap (3) that secures cable (4) to wiring harness (1). Discard tie strap.
3. Remove four screws (5), lockwashers (6), clamps (7), and wiring harness (1) from bulkhead weldnuts. Remove clamps from wiring harness. Discard lockwashers.
4. Remove circuit lead 537A (8) from driver's heater (9).
5. Remove screw (10), two washers (11), locknut (12), and clamp (13) from frame (14). Remove clamp from driver's heater inlet hose (15) and wiring harness (1). Discard locknut.
6. Cut tie straps (16) that secure wiring harness (1) to commander's heater inlet hose (17). Discard tie straps.



REPLACE M13 NBC HEATER WIRING HARNESS (M1068A3 ONLY) — Continued

0809 00

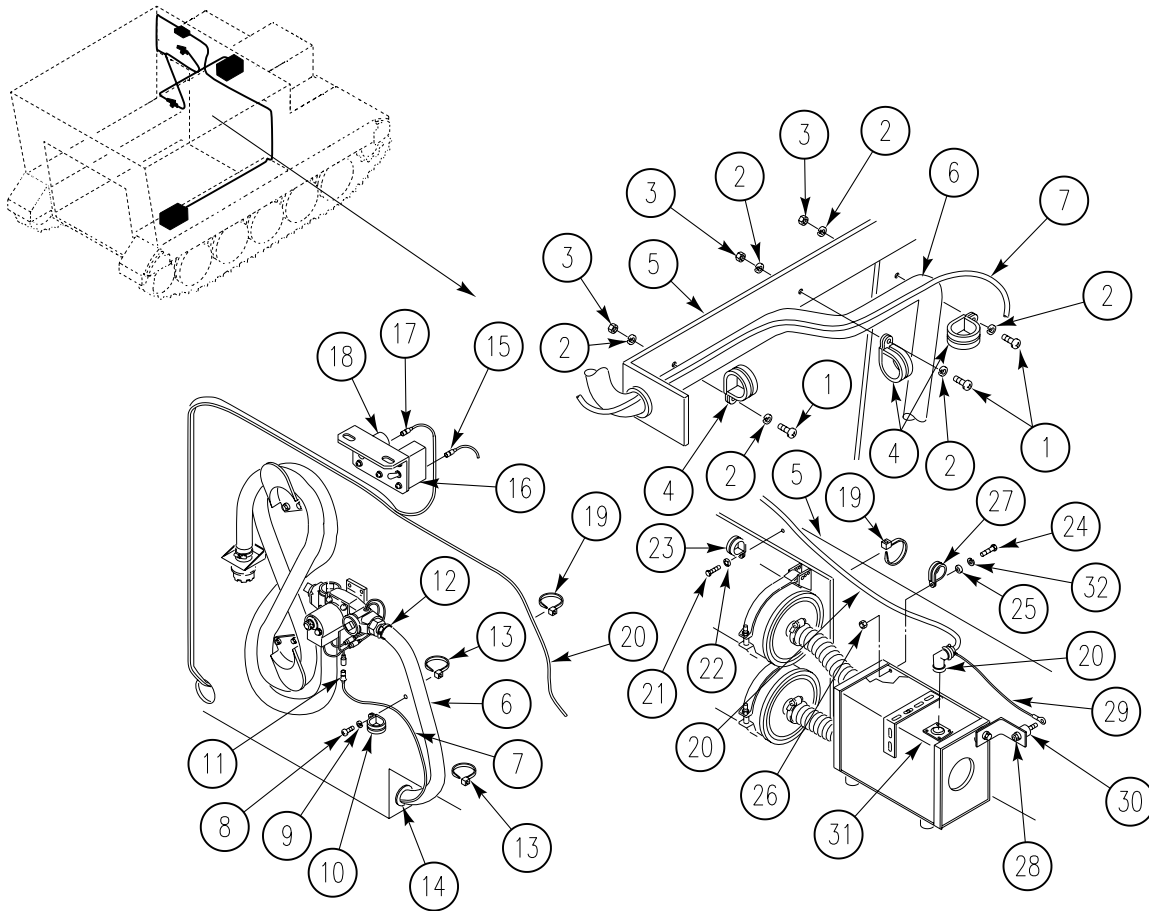
7. Remove three screws (1), six washers (2), locknuts (3), and clamps (4) from frame (5) and crossbeam. Remove clamps from commander's heater inlet hose (6) and wiring harness (7). Discard locknuts.
8. Remove screw (8), lockwasher (9), and clamp (10) from forward bulkhead. Remove clamp from hose (6) and wiring harness (7). Discard lockwasher.
9. Remove circuit lead 537B (11) from commander's heater (12).
10. Cut tie straps (13) that secure wiring harness (7) to adjacent wiring harnesses and hoses. Discard tie straps.
11. Pull circuit lead 537B (11) through grommet (14) on hose (6).
12. Remove circuit lead 579C (15) from air filter switch (16).



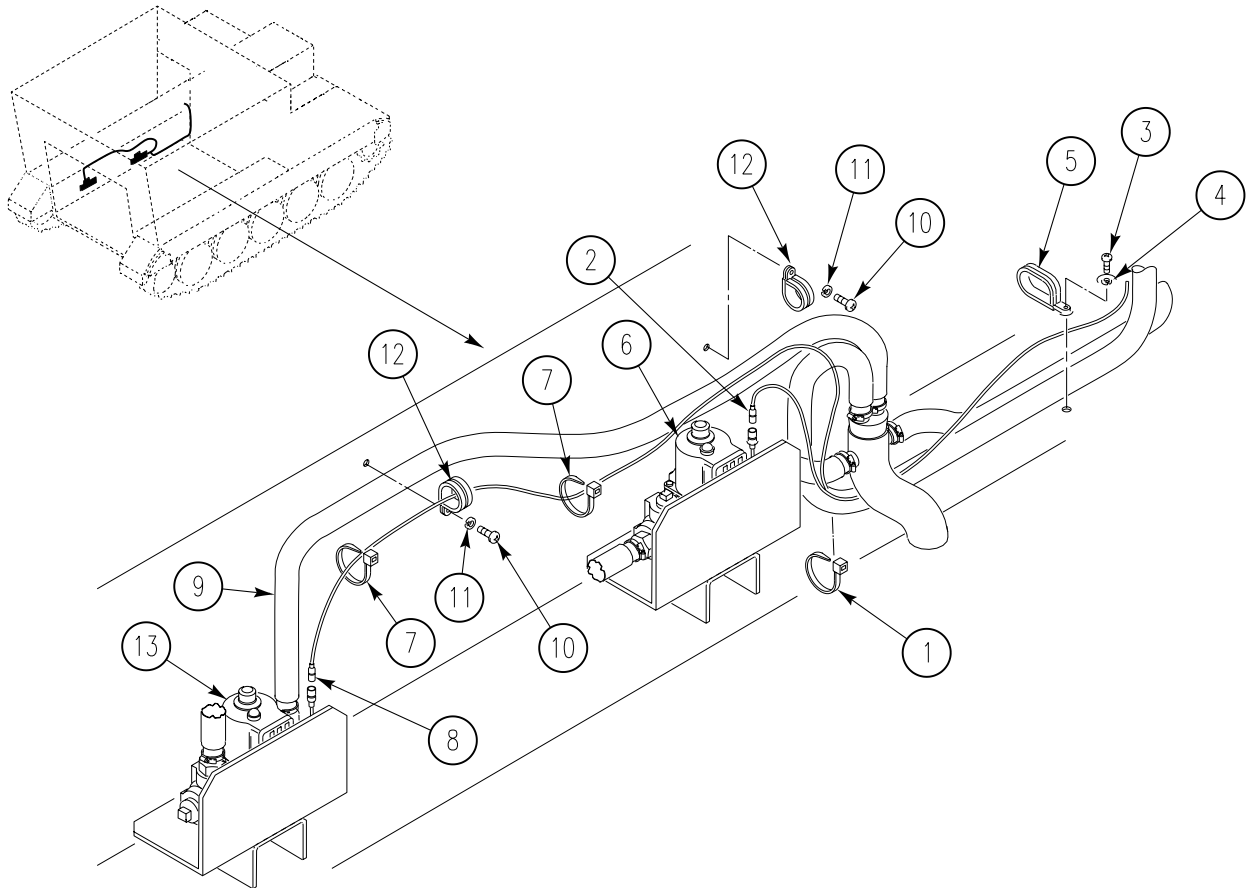
REPLACE M13 NBC HEATER WIRING HARNESS (M1068A3 ONLY) — Continued

0809 00

13. Remove circuit lead 537C (17) from air filter ON lamp (18).
14. Cut and remove all tie straps (19) along circuit lead 538A (20) and adjacent wiring harnesses. Discard tie straps.
15. Remove screw (21), lockwasher (22), and clamp (23) from right sponson. Remove clamp from circuit lead 538A (20). Discard lockwasher.
16. Remove screw (24), washer (25), lockwasher (32), locknut (26), and clamp (27) from frame (5). Remove clamp from circuit lead 538A (20). Discard locknut and lockwasher.
17. Loosen locknut (28) and remove ground lead (29) from precleaner mount (30).
18. Remove circuit lead 538A (20) with ground lead (29) from precleaner (31).

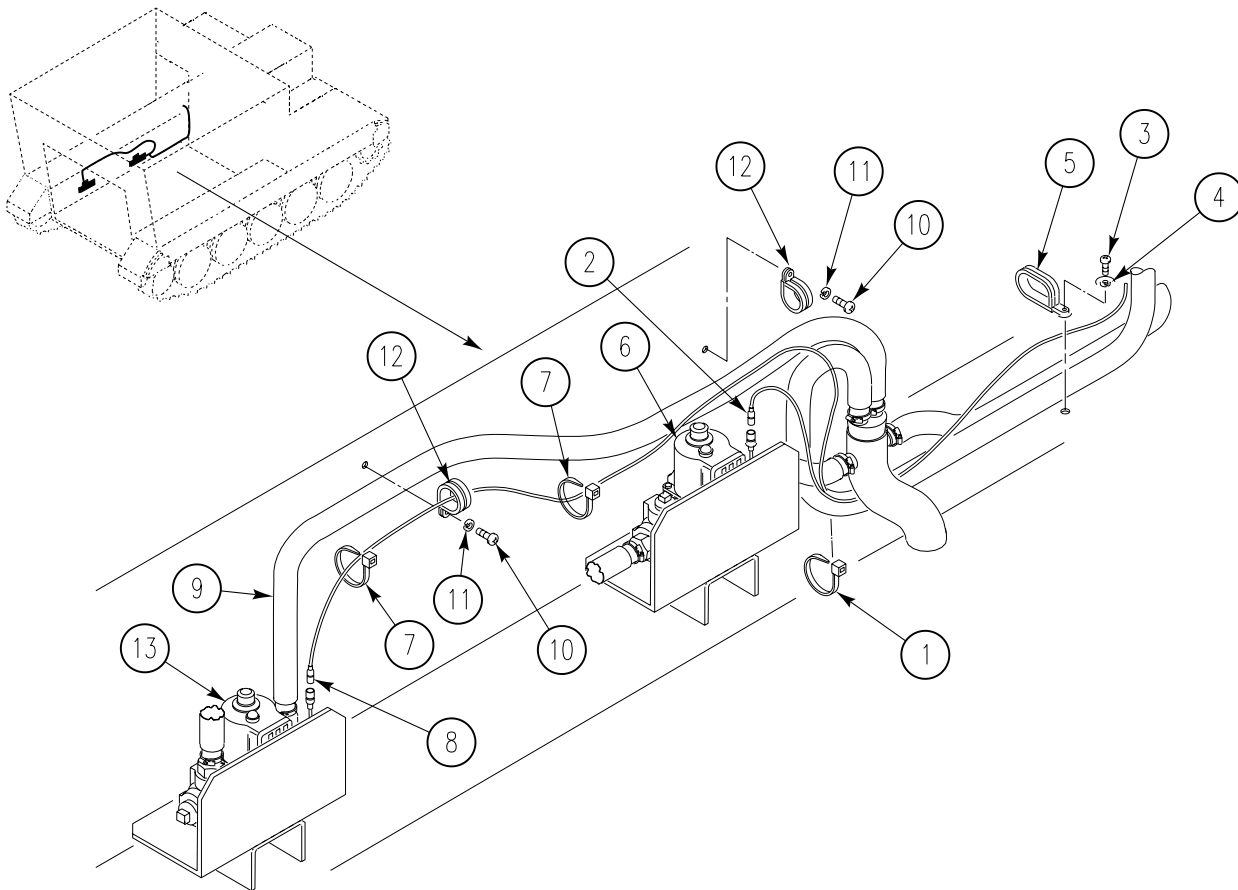


19. Cut tie straps (1) that secure circuit lead 537D (2) to adjacent hoses. Discard tie straps.
20. Remove screw (3), lockwasher (4), and clamp (5) from right sponson. Remove clamp from circuit lead 537D (2) and adjacent hoses. Discard lockwasher.
21. Remove circuit lead 537D (2) from front operator's heater (6).
22. Cut tie straps (7) that secure circuit lead 537E (8) to rear operator's heater inlet hose (9). Discard tie straps.
23. Remove two screws (10), lockwashers (11), and clamps (12) from right sponson. Remove clamps from circuit lead 537E (8) and rear operator's heater inlet hose (9). Discard lockwasher.
24. Remove circuit lead 537E (8) from rear operator's heater (13).



INSTALLATION

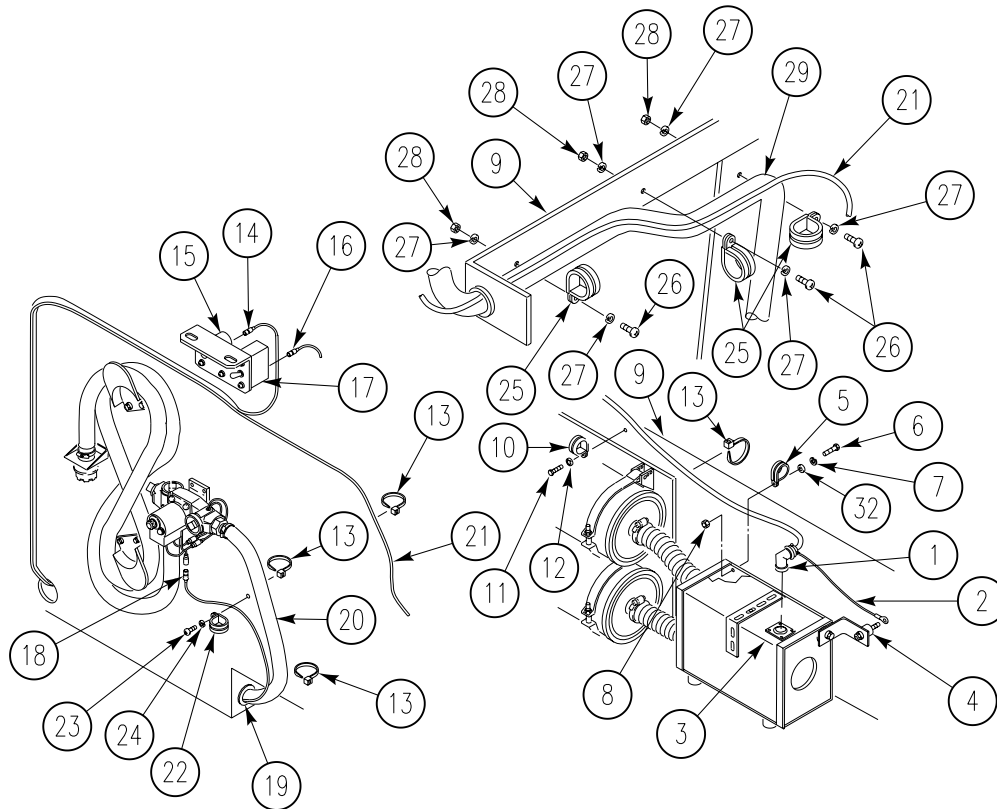
1. Install circuit lead 537E (8) on rear operator's heater (13).
2. Install two clamps (12) on circuit lead 537D (8) and rear operator's heater inlet hose (9). Secure clamps to right sponson with two screws (10) and new lockwashers (11).
3. Secure circuit lead 537E (8) to rear operator's heater inlet hose (9) with new tie straps (7).
4. Install circuit lead 537D (2) on front operator's heater (6).
5. Install clamp (5) on circuit lead 537D (2) and adjacent hoses. Secure with screw (3), new lockwasher (4), and clamp (5) on right sponson.
6. Secure circuit lead 537D (2) to adjacent hoses with new tie straps (1).



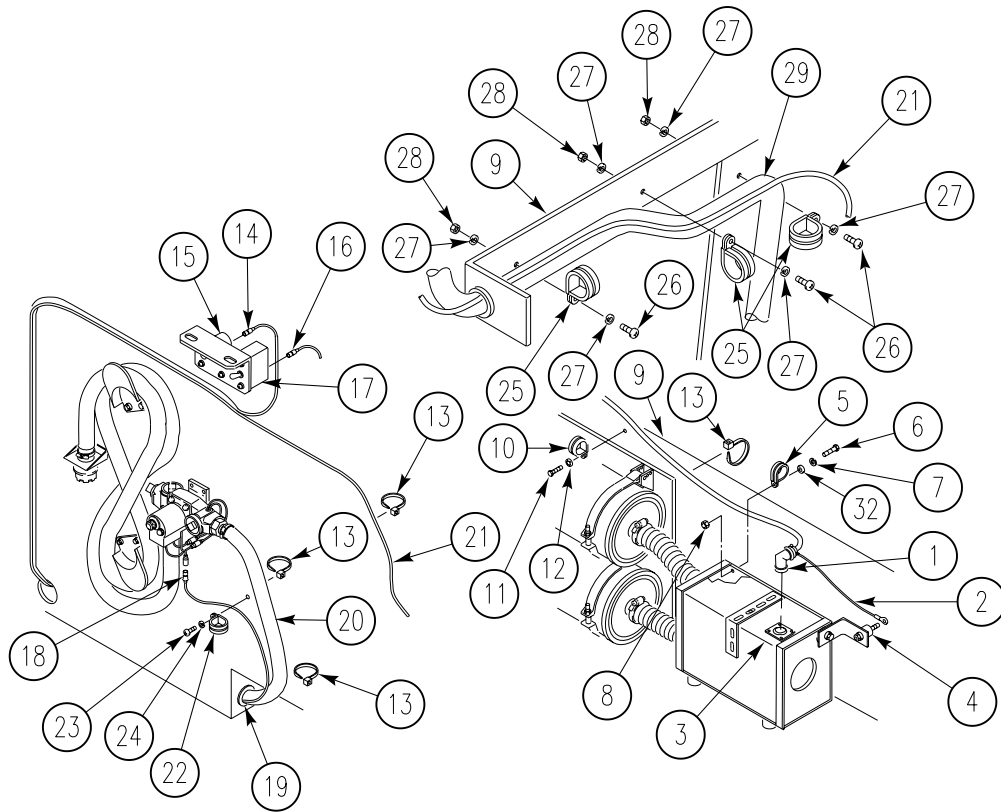
REPLACE M13 NBC HEATER WIRING HARNESS (M1068A3 ONLY) — Continued

0809 00

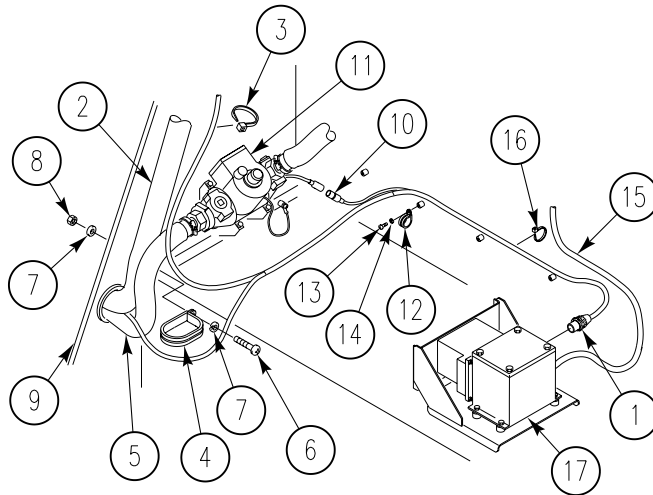
7. Install circuit lead 538A (1) with ground lead (2) on precleaner (3).
8. Install ground lead (2) on precleaner mount (4). Tighten nut.
9. Install clamp (5) on circuit lead 538A (1). Secure clamp with screw (6), washer (7), new lockwasher (32), and new locknut (8) on frame (9).
10. Install clamp (10) on circuit lead 538A (1). Secure clamp with screw (11) and new lockwasher (12) on right sponson.
11. Secure lead 538A (1) to adjacent wiring harnesses with new tie straps (13).
12. Install circuit lead 579C (14) on air filter ON lamp (15).



13. Install circuit lead 537C (16) on air filter switch (17).
14. Push circuit lead 537B (18) through grommet (19) on commander's heater inlet hose (20).
15. Secure wiring harness (21) to adjacent wiring harnesses and hoses with new tie straps (13).
16. Install circuit lead 537B (18) through grommet (19) on hose (20).
17. Install clamp (22) on hose (20) and circuit lead 537B (18). Secure clamp with screw (23) and new lockwasher (24) on forward bulkhead.
18. Install three clamps (25) on hose (29) and wiring harness (21). Secure clamps with three screws (26), six washers (27), and three new locknuts (28) on frame (9) and crossbeam.



19. Secure wiring harness (1) to commander's heater inlet hose (2) with new tie straps (3).
20. Install clamp (4) on driver's heater inlet hose (5) and wiring harness (1). Secure clamp with screw (6), two washers (7), and new locknut (8) on frame (9).
21. Install circuit lead 537A (10) on driver's heater (11).
22. Install four clamps (12) on wiring harness (1). Secure clamps with four screws (13) and new lockwashers (14) on bulkhead weldnuts.
23. Secure cable (15) to wiring harness (1) with new tie strap (16).
24. Install wiring harness (1) on NBC control box (17).



FOLLOW-THROUGH STEPS

1. Connect battery ground lead (WP 0338 00).

END OF TASK

REPLACE WATER/RATION HEATER POWER CABLE (M113A3 ONLY)

0810 00

THIS WORK PACKAGE COVERS:

Removal (page 0810 00-1).
 Installation (page 0810 00-3).

INITIAL SETUP:

Maintenance Level

Unit

Personnel Required

Unit Mechanic

Tools and Special Tools

General Mechanic's Tool Kit (WP 0926 00, Item 65)

References

See your -10

Materials/Parts

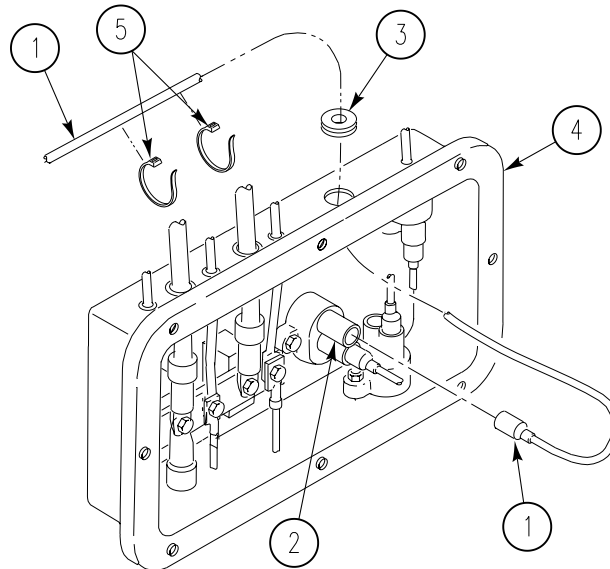
Grommet
 Straps (as required)

Equipment Condition

Engine stopped (see your -10)
 Carrier blocked (see your -10)
 Battery ground strap disconnected (WP 0337 00)
 Master switch panel assembly removed (WP 0260 00)

REMOVAL

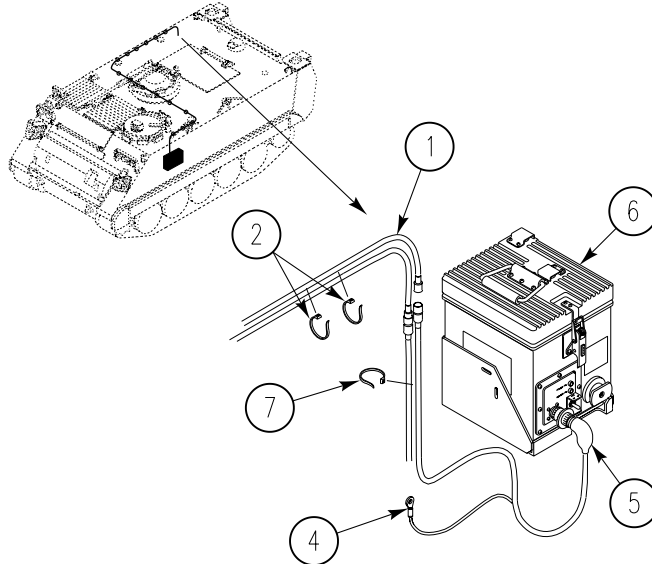
1. Disconnect cable 222B (1) from water/ration heater circuit breaker (2).
2. Remove cable (1) and grommet (3) from distribution box (4). Remove grommet from cable. Discard grommet.
3. Cut straps (5) that secure cable (1) to adjacent wiring harness. Discard straps.



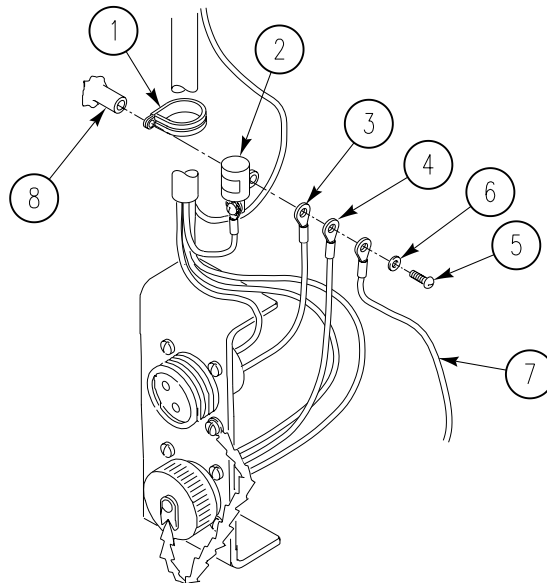
REPLACE WATER/RATION HEATER POWER CABLE (M113A3 ONLY) — Continued

0810 00

4. Disconnect cable (1) from heater power cable (5).
5. Cut straps (2) from cable (1) and adjacent wiring harness. Remove cable from cross channel and vehicle. Discard straps.

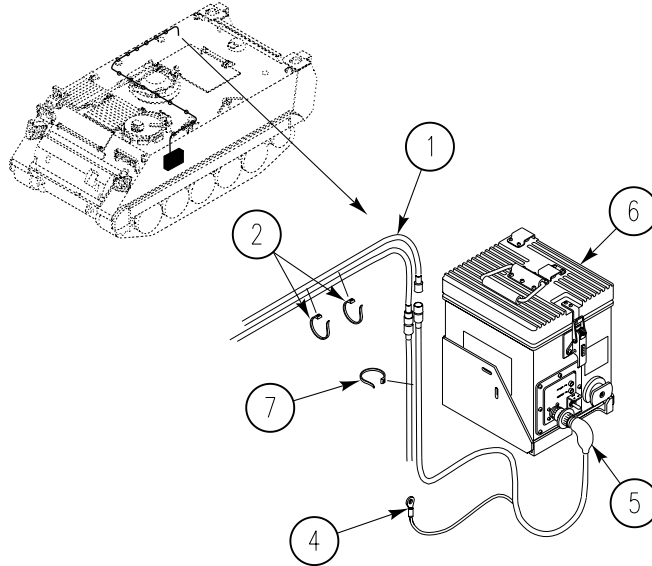


6. Remove screw (5), washer (6) and heater power cable ground lead (7) from weldnut (8).
7. Reinstall screw (5), washer (6), radio ground lead (3), radio ground lead (4), capacitor (2), and clamp (1) to the weldnut (8).

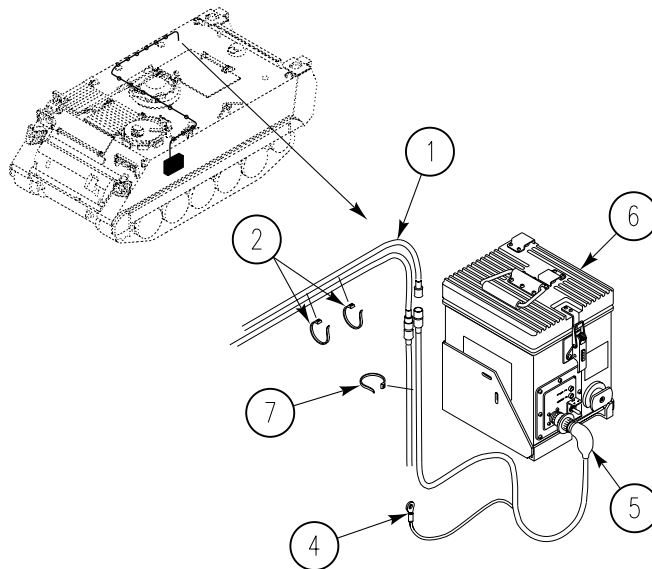


REPLACE WATER/RATION HEATER POWER CABLE (M113A3 ONLY) — Continued**0810 00**

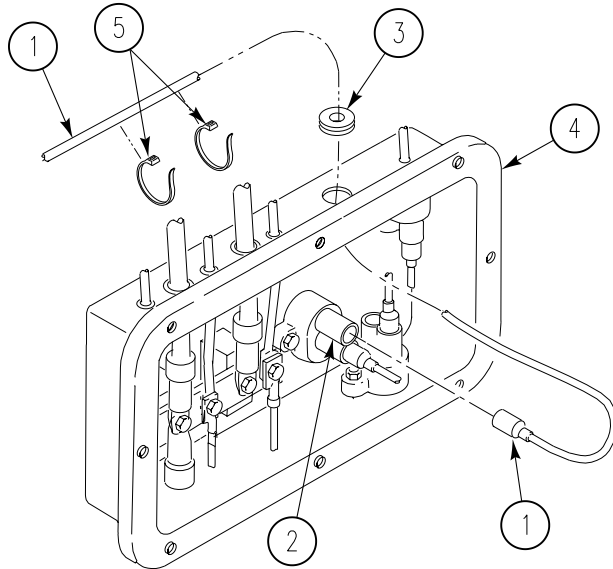
8. Cut strap (7) from heater power cable (5) and adjacent wiring harness. Discard strap.
9. Disconnect heater power cable (5) from water/ration heater(6). Remove power cable from carrier.

**INSTALLATION**

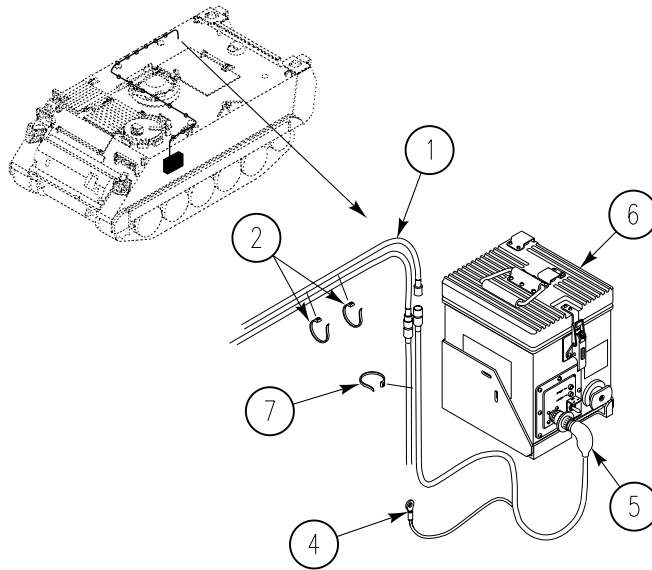
1. Route cable (1) through cross channel and behind driver's instrument panel.



2. Install new grommet (3) on cable (1). Route cable into distribution box (4) and connect to circuit breaker (2). Install grommet in distribution box .
3. Secure cable (1) to adjacent wiring harness on driver's bulkhead with new straps (5).

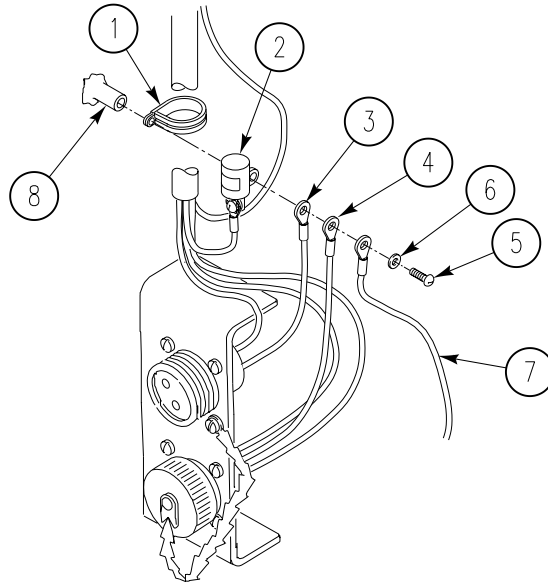


4. Secure cable (1) to adjacent wiring harness in crew compartment with new straps (2).

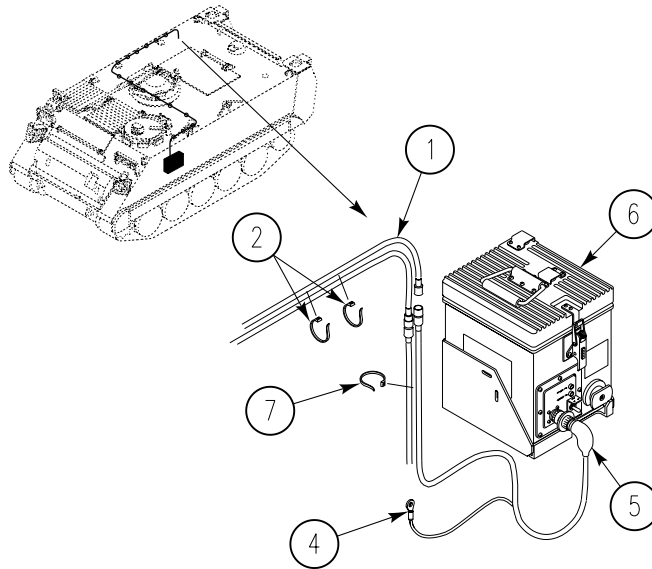


5. Remove screw (5), washer (6), radio ground lead (3), radio ground lead (4), capacitor (2), and clamp (1) from weldnut (8).

6. Reinstall clamp (1), capacitor (2), radio ground lead (3), radio ground lead (4), heater power cable ground lead (7), washer (6), and screw (5) on weldnut (8).



7. Connect heater power cable (5) to cable (1). Secure heater power cable (5) to adjacent wiring harness with new strap (7).
8. Connect heater power cable (5) to water ration heater (6).



FOLLOW-THROUGH STEPS

1. Install master switch panel (WP 0260 00).
2. Connect battery ground strap (WP 0337 00).

END OF TASK

REPLACE WATER/RATION HEATER MOUNT BRACKET (M113A3 ONLY)

0811 00

THIS WORK PACKAGE COVERS:

- Removal (page 0811 00-1).
- Installation (page 0811 00-2).

INITIAL SETUP:

Maintenance Level

Unit

Personnel Required

Unit Mechanic

Tools and Special Tools

General Mechanic's Tool Kit (WP 0926 00, Item 65)

References

See your -10

Materials/Parts

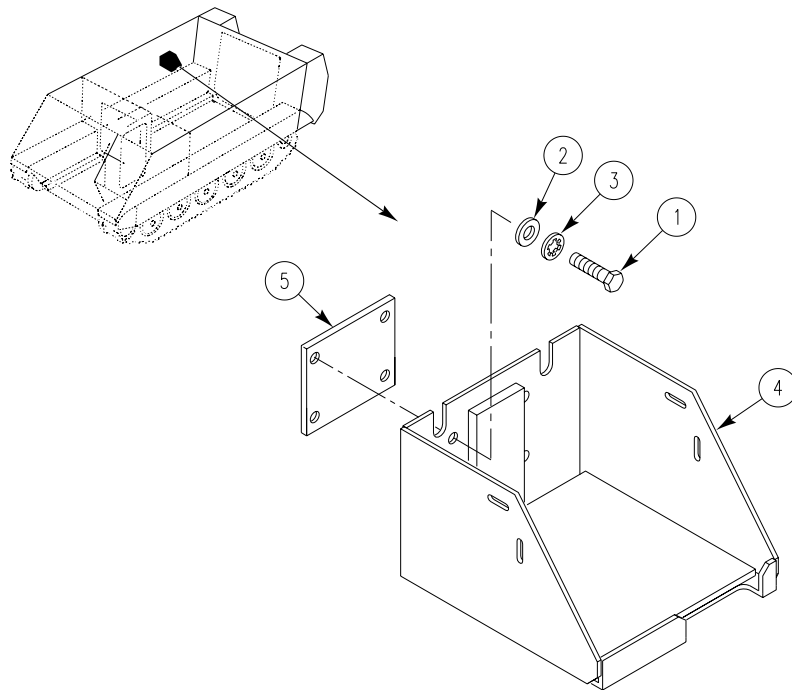
Lockwasher (4)

Equipment Condition

- Engine stopped (see your -10)
- Carrier blocked (see your -10)
- Water/ration heater removed (see your -10)

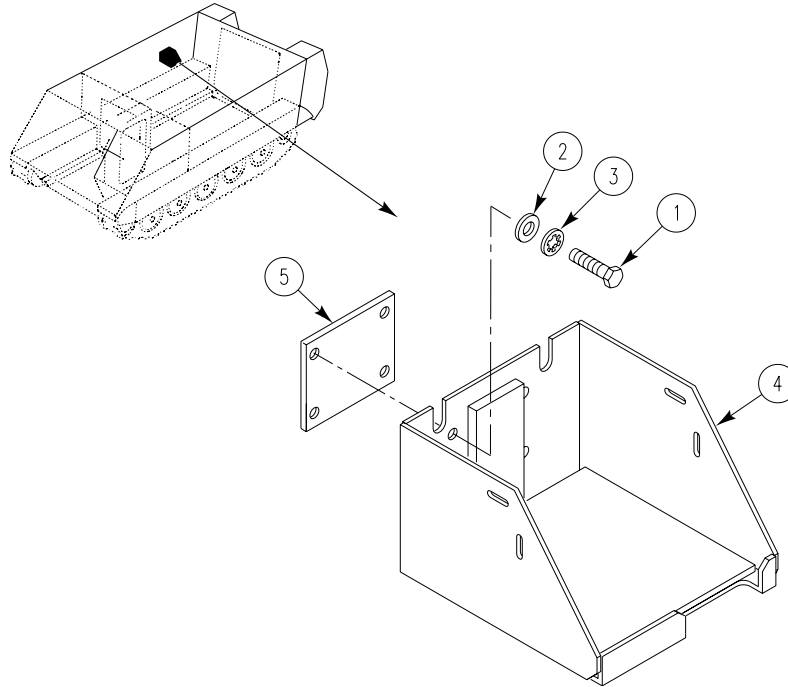
REMOVAL

1. Remove four screws (1), washers (2), lockwashers (3), and bracket (4) from mount plate (5). Discard lockwashers.



INSTALLATION

1. Place bracket (4) on mount plate (5). Secure with four new lockwashers (3), washers (2), and screws (1).

**FOLLOW-THROUGH STEPS**

1. Install water/ration heater, if desired (see your -10).

END OF TASK

CHAPTER 23

UNIT MAINTENANCE INSTRUCTIONS
FOR SIGHTING MATERIEL (M901A3 AND M981A3 ONLY)

WORK PACKAGE INDEX

<u>Title</u>	<u>Sequence No.</u>
SIGHTING MATERIEL (M901A3 AND M981A3).....	0812 00

SIGHTING MATERIEL (M901A3 AND M981A3)

0812 00

THIS WORK PACKAGE COVERS:

Repair or Replacement (page 0812 00-1).

INITIAL SETUP:

Maintenance Level

Unit

References

TM 9-2350-259-20

TM 9-2350-266-20

REPAIR OR REPLACEMENT

NOTE

The M901A3 and M981A3 carriers include a panoramic sight installed in the hull ceiling.

1. See TM 9-2350-259-20 or TM 9-2350-266-20 for maintenance procedures for this sight.

END OF TASK

INDEX

<u>Subject</u>	<u>WP Sequence No.-Page No.</u>
5.0 KW Auxiliary power unit M577A3 and M1068A3 only Replace	0675 00-1
A	
A.C. Power Extension Box A7 (M1068A3) Replace	0815 00-1
A1 Enclosure Assembly Power Control Replace	0826 00-1
AC Cable Assembly W252 (M1068A3) Replace	0857 00-1
AC Light Cable (W11) (M1068A3) Replace	0845 00-1
AC Power Extension Box A19 (M1068A3) Replace	0822 00-1
AC power extension box (M1068A) A6, replace	0834 00-1
AC Power Extension Cable (W7) Replace	0842 00-1
AC Power Extension Cable (W8) (M1068A3) Replace	0843 00-1
Accelerator Linkage Adjust	0214 00-1
Accelerator Pedal Lower Replace	0215 00-1
Upper Replace	0216 00-1
Access Box, Vehicle M901A3 and M981A3 Replace	0593 00-1
Access cover Battery box M577A3 and M1068A3 only Repair	0352 00-1
Fan drive pulley Removal/installation	0440 00-1

INDEX, cont'd

<u>Subject</u>	<u>WP Sequence No.-Page No.</u>
Hull front	
Replacement	0449 00-1
Power plant bottom	
Replacement	0450 00-1
Access covers	
Fuel tank (All except M577A3 and N1068A3)	
Replace	0187 00-1
Access Covers	
Fuel Tank (M577A3 and M1068A3)	
Replace	0188 00-1
Access door	
Radiator	
Replacement	0469 00-1
Turbine	
M58 only	
Replacement	0485 00-1
Access door gasket	
Turbine	
M58 only	
Replacement	0486 00-1
Access door hinges	
Turbine	
M58 only	
Replacement	0487 00-1
Access panel	
Driver's power plant	
Replacement	0441 00-1
Access Plate	
Adapter	
Smoke Generator (M1059A3)	
Replace	0766 00-1
Adapter	
Speedometer	
Replace	0860 00-1
Tachometer	
Replace	0863 00-1
Adjuster	
Track tension	
Replacement	0419 00-1
Admittance buzzer and switch	
M577A3 and M1068A3 only	
Replacement	0334 00-1
Air Box Heater	
Ignition Wire	

INDEX, cont'd

<u>Subject</u>	<u>WP Sequence No.-Page No.</u>
Replace	0204 00-1
Wiring Harness	
Replace	0205 00-1
Air box pressure transducer	
Replacement	0327 00-1
Air box, engine	
Drain check valve/tubes	
Right, replace	0160 00-1
Heater	
Ignition coil, replace	0208 00-1
Air Cleaner	
Elbow	
Replace	0168 00-1
Filter Element	
Service	0167 00-1
Replace	0168 00-1
Air cleaner	
Restriction indicator	
Replace	0171 00-1
Restriction indicator hose	
Replace	0172 00-1
Air Cleaner Assembly	
Replace	0169 00-1
Air Cleaner Retainer	
Repair	0170 00-1
Air Compressor	
Electrical Cable Assembly	
(M1059A3 Only)	
Replace	0758 00-1
Air Compressor Assembly	
(M1059A3 Only)	
Replace	0762 00-1
Air Hose	
Adapter Access Plate to Cover Assembly	
Smoke Generator (M1059A3)	
Replace	0768 00-1
Compressor Reservoir to Access Plate	
Smoke Generator (M1059A3)	
Replace	0767 00-1
Air intake	
Elbow	
Replace	0173 00-1
Air Intake and Exhaust Pipes	
Heater	

INDEX, cont'd

<u>Subject</u>	<u>WP Sequence No.-Page No.</u>
Replace	0683 00-1
Air Intake elbow and hose	
Grill	
Replace	0174 00-1
Air Intake Pipes, Heater	
(All Except M1064A3)	
Replace	0682 00-1
Air purifier and frame	
M13	
M1068A3 only	
Replace	0779 00-1
Air ventilator	
Rear compartment	
Replacement	0454 00-1
Alarm Kit	
Automatic	
Chemical Agent, M113A3	
Install/Remove	0918 00-1
Ammunition rack	
M1064A3	
Horizontal	
Repair	0607 00-1
Ammunition Rack	
M1064A3	
Horizontal	
Replace	0606 00-1
Ammunition rack	
M1064A3	
Vertical, replace	0608 00-1
Ammunition Stowage Rack	
M901A3, Replace	0587 00-1
Amplifier	
Intercom	
M901A3 and M58	
Replace	0888 00-1
Anchor	
Torsion bar	
Replacement	0414 00-1
Antenna	
AS3916/VRC (M58)	
Replace	0887 00-1
Cover	
All except M981A3	
Replace	0576 00-1

INDEX, cont'd

<u>Subject</u>	<u>WP Sequence No.-Page No.</u>
Covers	
M981A3, replace	0601 00-1
Guard	
All except M981A3	
Replace	0575 00-1
Guard (M981A3)	
Replace	0600 00-1
M901A3	
Replace	0886 00-1
Mast Bracket Assembly	
(M1068A3 Only)	
Repair	0625 00-1
Replace	0625 00-1
Support (M981A3 and M58), replace	0602 00-1
APIU Rack	
Mount and Bracket (M1068A3)	
Replace	0813 00-1
Arm	
Road wheel support	
Replacement	0415 00-1
Arm assembly	
Idler wheel	
Replacement	0417 00-1
Armor	
Kit (M113A3)	
Mine	
Install/Remove	0752 00-1
Shields, Commander's Cupola (M113A3 and M1064A3)	
Replace	0747 00-1
Side	
(M901A3)	
Replace	0594 00-1
Smoke Generator (M1059A3)	
Replace	0771 00-1
Armor Kit	
M113A3)	
Install	0748 00-1
Armor plate	
Left front	
Replacement	0447 00-1
Right front	
Replacement	0448 00-1
AS3916/VRC Antenna	
(M58)	

INDEX, cont'd

<u>Subject</u>	<u>WP Sequence No.-Page No.</u>
Replace	0887 00-1
Assembly	
M8A3/M14 Orifice connector	
M113A3, M1059A3, and M577A3 only	
Replace	0780 00-1
Auxiliary power (slave) receptacle	
M113A3, M901A3, M1059A3, M1064A3, and M58 only	
Replacement	0263 00-1
Auxiliary power (slave) receptacle ground lead	
M113A3, M901A3, M1059A3, M1064A3, and M58 only	
Replacement	0379 00-1
Auxiliary power unit fuel shutoff valve	
M577A3 and M1068A3 only	
Replace	0676 00-1
Auxiliary power unit valve-to-bulkhead fuel supply hoses	
M577A3 and M1068A3 only	
Replace	0677 00-1
Auxiliary Tank	
Replace	0230 00-1
Auxiliary tank fluid level detector	
Replacement	0329 00-1
Azimuth lock	
Commander's cupola	
M113A3, M1059A3, M58, and M1064A3 only	
Replacement	0489 00-1
B	
Backpack stowage rack (M981A3)	
Replace	0599 00-1
Balance Hose, replace	0234 00-1
Base	
Smoke grenade launcher	
M113A3, M901A3, M981A3, and M1059A3 only	
Replacement	0455 00-1
Base Extension	
Right Side M1068A3	
Replace	0623 00-1
Base Extension Supports	
Right Side	
(M1068A3 Only)	
Replace	0624 00-1
Batteries and battery box	
M981A3 and M58 only	
Replacement	0348 00-1

INDEX, cont'd

<u>Subject</u>	<u>WP Sequence No.-Page No.</u>
Batteries and retainers	
(Left side)	
M1064A3 only	
Replacement	0349 00-1
M113A3, M901A3, and M1059A3 only	
Replacement	0346 00-1
M577A3 and M1068A3 only	
Replacement	0347 00-1
Batteries and retainers (left side)	
M1064A3 only	
Replacement	0349 00-1
Battery	
Drawer (M1064A3)	
Insulation, Coolant Heater	
Replace	0719 00-1
Battery box	
M113A3, M901A3, and M1059A3 only	
Repair	0350 00-1
M577A3 and M1068A3 only	
Repair	0351 00-1
Battery box (right side)	
M1064A3	
Repair	0354 00-1
Battery box access cover	
M577A3 and M1068A3 only	
Repair	0352 00-1
Battery Box Insulation and Heat Exchanger	
Replace	0718 00-1
Battery box vent fitting	
M981A3 and M58 only	
Replacement	0355 00-1
Battery drawer	
M1064A3 only	
Repair	0353 00-1
Battery ground lead	
M577A3 and M1068A3 only	
Connect	0338 00-1
Disconnect	0338 00-1
M981A3 only	
Connect	0339 00-1
Disconnect	0339 00-1
Battery ground strap	
M113A3, M901A3, M1059A3, M1064A3, and M58 only	
Connect	0337 00-1

INDEX, cont'd

<u>Subject</u>	<u>WP Sequence No.-Page No.</u>
Disconnect	0337 00-1
Battery leads and terminals	
M113A3, M901A3, and M1059A3 only	
Replacement	0340 00-1
M577A3 and M1068A3 only	
Replacement	0341 00-1
M58 only	
Replacement	0345 00-1
M981A3 only	
Replacement	0342 00-1
Battery leads and terminals (left side)	
M1064A3 only	
Replacement	0343 00-1
Battery leads and terminals (right side)	
M1064A3 only	
Replacement	0344 00-1
Battery to master switch lead (circuit 6)	
M1064A3 only	
Replacement	0358 00-1
M113A3, M901A3 and M1059A3 only	
Replacement	0356 00-1
M577A3 and M1068A3 only	
Replacement	0357 00-1
Battery-to-radio wiring harness (ckt 48)	
M981A3 only	
Replacement	0371 00-1
Battery-to-radio wiring harness (left side)	
M113A3, M901A3, and M1059A3 only	
Replacement	0369 00-1
Battery-to-radio wiring harness (right side)	
M113A3 only	
Replacement	0370 00-1
Battery/generator indicator malfunctions	0051 00-1
Bearing	
Tow Start Control Assembly	
Replace	0391 00-1
Bearings	
Idler wheel arm	
Replacement	0418 00-1
Road wheel support	
Replacement	0415 00-1
Belt	
Generator drive	
Adjustment	0252 00-1

INDEX, cont'd

<u>Subject</u>	<u>WP Sequence No.-Page No.</u>
Replacement	0253 00-1
Belts	
Personnel	
M113A3 only	
Replace	0546 00-1
M577A3 only	
Replace	0547 00-1
Personnel seat	
M1059A3, Replace	0549 00-1
M1064A3, Replace	0550 00-1
M981A3, Replace	0548 00-1
Bilge Pump	
Front	
Replace	0632 00-1
Pipes	
Front, Replace	0631 00-1
Rear	
Replace	0635 00-1
Bilge pump circuit breakers	
All except M981A3	
Replacement	0275 00-1
Blackout Curtain	
Replace (M577A3 and M1068A3)	0629 00-1
Blackout dome lights do not work	
M1068A3 only	0041 00-1
Blackout drive light doesn't work	0030 00-1
Blackout headlight	
Repair	0306 00-1
Replacement	0305 00-1
Blackout marker light	
Repair	0308 00-1
Replacement	0307 00-1
Blackout marker light(s) don't work	0034 00-1
Blank display diagnostic troubleshooting	
STE/ICE	0138 00-1
Blower switch	
M577A3 and M1068A3 only	
Replacement	0278 00-1
Bottom access cover	
Power plant	
Replacement	0450 00-1
Box	
Battery	
M113A3, M901A3, and M1059A3 only	

INDEX, cont'd

<u>Subject</u>	<u>WP Sequence No.-Page No.</u>
Repair	0350 00-1
M577A3 and M1068A3 only	
Repair	0351 00-1
Control	
Personnel heater	
Replace	0701 00-1
Control, heater	
Personnel heater	
Repair	0702 00-1
Heater Control	
Coolant Heater	
Repair	0737 00-1
Replace	0736 00-1
Box Assembly A5	
Tent Interface Panel (M1068A3)	
Replace	0833 00-1
Bracket	
Coolant Heater and Pump	
Replace	0732 00-1
Generator	
Replacement	0255 00-1
Heater, VFM, M25/M25A1	
M981A3)	
Replace	0912 00-1
M13 Orifice	
M1068A3 only	
Replace	0781 00-1
Oil can	
Replace	0574 00-1
Parking brake	
Replacement	0331 00-1
Power Extension Box A18 (M1068A3)	
Replace	0836 00-1
Ramp	
(M113A3, M577A3, and M1068A3 Only)	
Replace	0516 00-1
Ramp Door Stop	
Replace	0517 00-1
Refill Tray	
Chemical Alarm, M113A3	
Replace	0922 00-1
Rifle	
Replace	0573 00-1
Roadside Data Panel Assembly A13 (M1068A3)	

INDEX, cont'd

<u>Subject</u>	<u>WP Sequence No.-Page No.</u>
Replace	0835 00-1
Spare Battery, Chemical Alarm, M113A3	
Replace/Repair	0921 00-1
Transmission range controller	
Used with cable-activated steering lock	
Replace	0387 00-1
Used with solenoid-activated steering lock	
Replace	0386 00-1
Bracket,	
Mortar Base Stowage (M1064A3 Only)	
Replace	0615 00-1
Windshield Stowage (M1064A3 Only)	
Replace	0614 00-1
Brackets	
Tripod stowage (M901A3)	
Replace	0592 00-1
Brackets and Mounts	
Right Equipment Rack (M1068A3)	
Replace	0814 00-1
Brake	
Parking	
Adjustment	0408 00-1
Brake adjustment	
Transmission	
Check	0406 00-1
Brake assembly	
Commander's cupola M113A3, M1059A3, M58, and M1064A3 only	
Replacement	0492 00-1
Brakes	
Transmission	
Adjust	0394 00-1
Breather Hose	
Ramp Cylinder (All Except M1064A3)	
Replace	0666 00-1
(M1064A3 Only)	
Replace	0667 00-1
Bumper	
Driver's Hatch (M113A3, M1059A3, M1064A3, and M58 Only)	
Replace	0532 00-1

INDEX, cont'd

<u>Subject</u>	<u>WP Sequence No.-Page No.</u>
Buzzer and switch	
Admittance	
M577A3 and M1068A3 only	
Replacement	0334 00-1
Bypass plug	
Pressure switch and differential	
Replace	0401 00-1
C	
Cable	
Adapter	
(M1068A3)	
Replace	0849 00-1
Adapter (M1068A3)	
Replace	0850 00-1
Artillery Communication Inside (M577A3)	
Replace	0746 00-1
Commander's Intercommunication Set (M58)	
Replace	0893 00-1
Driver's Intercommunication Set (M58)	
Replace	0892 00-1
Instrument panel special purpose	
Replacement	0290 00-1
Operator's Intercommunication Set (M58)	
Replace	0894 00-1
Reel holder (M981A3 and M1064A3)	
Replace	0603 00-1
Speedometer	
Repair	0861 00-1
Replace	0860 00-1
Service	0858 00-1
Tachometer	
Repair	0865 00-1
Replace	0864 00-1
Service	0858 00-1
Tube, External, Fire Extinguisher	
Replace	0905 00-1
W251, (M1068A3)	
Replace	0852 00-1
W252 (M1068A3)	
Replace	0857 00-1
W28	
(M1068A3)	
Replace	0849 00-1

INDEX, cont'd

<u>Subject</u>	<u>WP Sequence No.-Page No.</u>
W29 (M1068A3)	
Replace	0850 00-1
W35	
(M1068A3)	
Replace	0849 00-1
W38 (M1068A3)	
Replace	0850 00-1
W42, (M1068A3)	
Replace	0852 00-1
W43, (M1068A3)	
Replace	0852 00-1
Cable (W10)	
DC Power Extension (M1068A3)	
Replace	0844 00-1
Cable (W11)	
AC Light (M1068A3)	
Replace	0845 00-1
Cable (W4)	
DC Battery (M1068A3)	
Replace	0838 00-1
Cable (W40)	
Single Point LAN (M1068A3)	
Replace	0851 00-1
Cable (W5)	
Inverter AC	
Replace/Repair	0839 00-1
Cable (W6)	
Inverter DC (M1068A3)	
Replace	0840 00-1
Cable (W7)	
AC Power Extension	
Replace	0842 00-1
Cable (W8)	
AC Power Extension (M1068A3)	
Replace	0843 00-1
Cable assembly	
Driver's night vision (DNV) (AN/VVS-2) power supply	
All except M58	
Replacement	0368 00-1
Cable Assembly	
Smoke Generator	
Internal (M1059A3 Only)	
Replace	0760 00-1
Cable Assembly (W4/W6) (M1068A3)	

INDEX, cont'd

<u>Subject</u>	<u>WP Sequence No.-Page No.</u>
Repair	0841 00-1
Cable reel holder assembly (M981A3 and M1064A3)	
Repair	0604 00-1
Cable W3	
Power Distrubution (M1068A3)	
Replace	0837 00-1
Cable, Control	
Fuel cutoff	
Replace	0220 00-1
Hand throttle	
Replace	0219 00-1
Cable-activated steering lock malfunctions	0077 00-1
Cables	
LAN A or B	
W103/W104 (M1068A3)	
Replace	0854 00-1
LAN A or B (W103/W104) (M1068A3)	
Replace	0854 00-1
W124 (M1068A3)	
Replace	0855 00-1
W126, (M1068A3)	
Replace	0856 00-1
W45, (M1068A3)	
Replace	0853 00-1
Cables and switch assembly	
M14 NBC	
M1059A3 only	
Replace	0799 00-1
Capacitor cover	
M981A3 only	
Replacement	0372 00-1
Cargo hatch cover	
M113A3, M901A3, M981A3, and M1059A3 only	
Replacement	0479 00-1
Cargo hatch hold-open hook and bumpers	
M113A3, M901A3, M981A3, and M1059A3 only	
Replacement	0474 00-1
Cargo hatch interior latch	
M113A3, M901A3, M981A3, and M1059A3 only	
Replacement	0475 00-1
Cargo hatch latch	
M901A3 only	
Repair	0476 00-1

INDEX, cont'd

<u>Subject</u>	<u>WP Sequence No.-Page No.</u>
Cargo hatch seals	
M113A3, M901A3, M981A3, and M1059A3 only	
Replacement	0478 00-1
Cargo hatch support	
M901A3 only	
Replacement	0477 00-1
Carrier assembly	
Drive sprocket	
Repair	0421 00-1
Carrier does not move in any shift lever position	0062 00-1
Carrier drifts or does not steer	0063 00-1
Carrier moves with transmission in SL	0061 00-1
Cascade Remote Harness	
(M1068A3) Replace	0847 00-1
Catches and bumpers	
Mortar hatch exterior	
M1064A3 only	
Replacement	0480 00-1
Chain Assembly, Litter Kit (M11A3)	
Repair	0745 00-1
Chain Assembly, Litter Kit (M113A3)	
Replace	0744 00-1
Chemical Agent Automatic Alarm Kit	
M113A3	
Install/Remove	0918 00-1
Junction Box	
Replace	0919 00-1
Chemical Agent Automatic Alarm Kit, M113A3	
Bracket	
Refill Tray	
Replace	0922 00-1
Junction Box	
Repair	0920 00-1
Spare Battery	
Replace/Repair	0921 00-1
Wiring Harnesses, M43 Unit Interface	
Replace	0923 00-1
Circuit breaker	
Dome light	
M577A3 and M1068A3 only	
Replacement	0316 00-1
Replacement	0280 00-1
Circuit breakers	
Bilge pump	

INDEX, cont'd

<u>Subject</u>	<u>WP Sequence No.-Page No.</u>
All except M981A3	
Replacement	0275 00-1
Rear utility receptacle	
M577A3 and M1068A3 only	
Replacement	0276 00-1
Clamps,	
Tent (M577A3)	
Replace	0627 00-1
Coil	
Ignition, air box heater	
Replace	0208 00-1
Combat filler cover and lock	
Replacement	0466 00-1
Combat lock	
Power plant door	
Replacement	0473 00-1
Commander's Cupola (M113A3, M1059A3, and M1064A3)	
Armor Shields	
Replace	0747 00-1
Commander's cupola azimuth lock	
M113A3, M1059A3, M58, and M1064A3 only	
Replacement	0489 00-1
Commander's cupola brake assembly	
M113A3, M1059A3, M58, and M1064A3 only	
Replacement	0492 00-1
Commander's cupola cover	
M113A3, M1059A3, and M1064A3 only	
Replacement	0493 00-1
Commander's cupola cushioning pad and handle	
M113A3, M1059A3, M58, and M1064A3 only	
Replacement	0488 00-1
Commander's cupola hold-open hook and bumper	
M113A3, M1059A3, M58, and M1064A3 only	
Replacement	0494 00-1
Commander's cupola interior latch	
M113A3, M1059A3, M58, and M1064A3 only	
Replacement	0496 00-1
Commander's cupola machine gun mount	
M113A3, M1059A3, M58, and M1064A3 only	
Repair	0498 00-1
Replacement	0497 00-1
Commander's cupola machine gun mount stops	
M1059A3 only	
Replacement	0499 00-1

INDEX, cont'd

<u>Subject</u>	<u>WP Sequence No.-Page No.</u>
Commander's cupola safety pin stowage block M113A3, M1059A3, M58, and M1064A3 only	
Replacement	0495 00-1
Commander's cupola vision block locks and seals M1064A3 only	
Replacement	0491 00-1
M113A3 and M1059A3, M58 only	
Replacement	0490 00-1
Commander's hatch cover M577A3 and M1068A3 only	
Replacement	0503 00-1
Commander's hatch cushioning pad and handle M577A3 and M1068A3 only	
Replacement	0500 00-1
Commander's hatch hook and bumper M577A3 and M1068A3 only	
Replacement	0501 00-1
Commander's hatch interior latch M577A3 and M1068A3 only	
Replacement	0502 00-1
Commander's Intercommunication Set Cable (M58)	
Replace	0893 00-1
Commander's Jump Seat M113A3	
Replace	0563 00-1
Commander's platform M113A3, M1059A3, M1064A3, and M58	
Replace/repair	0559 00-1
Commander's Platform (M577A3 and M1068A3)	
Replace/Repair	0564 00-1
Commander's post M1064A3	
Replace	0561 00-1
M113A3, M1059A3, and M58	
Replace	0560 00-1
Commander's seat M1064A3	
Replace	0561 00-1
M1068A3, replace/repair	0566 00-1
M113A3, M1059A3, and M58	
Replace	0560 00-1
M113A3, M1059A3, M1064A3, and M58	

INDEX, cont'd

<u>Subject</u>	<u>WP Sequence No.-Page No.</u>
Repair	0562 00-1
Commander's Seat	
Replace	0565 00-1
Communication Box A11, External	
Lid and Latches	
Replace (M1068A3)	0818 00-1
Communication Box A11, External (M1068A3)	
Replace	0817 00-1
Communication Cabling Diagram (M58)	0884 00-1
Communication Cabling Diagram (M901A3)	0883 00-1
Confidence test diagnostic troubleshooting	
STE/ICE	0139 00-1
Connector assembly	
M13 Orifice	
M1068A3 only	
Replace	0781 00-1
Orifice, VFM, M25/M25A1 (M981A3)	
Replace	0908 00-1
Connector assembly, bracket, and quick coupling half	
M13 Orifice	
M1068A3 only	
Replace	0781 00-1
Control	
Box	
Personnel heater	
Repair	0702 00-1
Cable	
Tow Start	
Adjust	0390 00-1
Intercommunications Set M901A3	
Replace	0885 00-1
Tow Start	
Replace	0391 00-1
Control assembly, bracket, links, and pins (cable-activated lock)	
Push-pull	
Replacement	0429 00-1
Control Box	
Coolant Heater	
Repair	0737 00-1
Replace	0736 00-1
Control box	
Personnel heater	
Replace	0701 00-1

INDEX, cont'd

<u>Subject</u>	<u>WP Sequence No.-Page No.</u>
Control cable assembly	
Parking brake	
Replacement	0411 00-1
Control lever assembly	
Parking brake	
Replacement	0412 00-1
Control linkage	
Service brake	
Adjustment	0407 00-1
Replacement	0410 00-1
Trim vane	
Repair	0461 00-1
Control Valve	
Fire Extinguisher	
Replace	0904 00-1
Control Valve (with Internal Relief Valve)	
Ramp	
Replace	0661 00-1
Controller	
Glow plug	
Replacement	0210 00-1
Coolant air separator, replace	0236 00-1
Coolant Heater	
Control Box	
Repair	0737 00-1
Replace	0736 00-1
Coolant	
Heater to Engine Elbow, Replace	0715 00-1
Exhaust Elbow and Pipes	
Replace	0724 00-1
Fuel Pump	
Replace	0723 00-1
Fuel Shutoff Valve	
Replace	0720 00-1
Hoses	
Fuel	
Inlet, Replace	0712 00-1
Hoses	
Coolant	
Engine to Battery Box, Replace	0714 00-1
Pump to Battery Box, Replace	0713 00-1
Fuel	
Filter Valve, Replace	0716 00-1
Pump, Replace	0711 00-1

INDEX, cont'd

<u>Subject</u>	<u>WP Sequence No.-Page No.</u>
Pump	
Replace	0731 00-1
Replace	0728 00-1, 0729 00-1
Wiring Harness	
Replace	0735 00-1
Coolant Heater and Pump	
Bracket	
Replace	0732 00-1
Coolant Heater Fuel Filter	
Service	0708 00-1
Coolant Heater Fuel Pump	
Service	0709 00-1
Coolant heater malfunctions	0089 00-1
Coolant Heater to Surge Tank Hose	
Replace	0725 00-1
Coolant hose and tube, upper, replace	0232 00-1
Coolant pump	
Belts, adjust	0239 00-1
Idler pulley/belts, replace	0240 00-1
Coolant temp indicator malfunctions	0053 00-1
Coolant temperature transmitter	
Replacement	0321 00-1
Cooling system	
Drain and fill	0227 00-1
Coupling assembly	
VFM (M981A3)	
Replace	0910 00-1
Cover	
Antenna	
All except M981A3	
Replace	0576 00-1
M981A3, replace	0601 00-1
Battery box access	
M577A3 and M1068A3 only	
Repair	0352 00-1
Capacitor	
M981A3 only	
Replacement	0372 00-1
Cargo hatch	
M113A3, M901A3, M981A3, and M1059A3 only	
Replacement	0479 00-1
Commander's cupola	
M113A3, M1059A3, and M1064A3 only	
Replacement	0493 00-1

INDEX, cont'd

<u>Subject</u>	<u>WP Sequence No.-Page No.</u>
Commander's hatch M577A3 and M1068A3 only Replacement	0503 00-1
Driver's Hatch (All Except M901A3 and M981A3) Replace	0531 00-1
Fan drive pulley access Removal/installation	0440 00-1
Thermostat Replace	0237 00-1
Tow Start Control Assembly Replace	0392 00-1
Cover and lock Combat filler Replacement	0466 00-1
Covers Fuel Tank Access (M577A3 and M1068A3) Replace	0188 00-1
Mortar hatch M1064A3 only Replacement	0482 00-1
Cushion Base Low-Stow M901A3, Replace	0596 00-1
Cushioning Pad Driver's Hatch Replace	0530 00-1
Cushioning pad and handle Commander's cupola M113A3, M1059A3, M58, and M1064A3 only Replacement	0488 00-1
Commander's hatch M577A3 and M1068A3 only Replacement	0500 00-1
Cushions Personnel M113A3 only Replace	0546 00-1
M577A3 only Replace	0547 00-1
Personnel Seat M1059A3, Replace	0549 00-1
M1064A3, Replace	0550 00-1
M981A3, Replace	0548 00-1

INDEX, cont'd

<u>Subject</u>	<u>WP Sequence No.-Page No.</u>
Cylinder	
Fire Extinguisher	
Discharge Tubes, Replace	0899 00-1
Ramp	
Replace	0656 00-1
Cylinder, Turbine	
Fire Extinguisher	
Discharge Tubes (M58 Only), Replace	0900 00-1
D	
Data Panel Assembly	
A13 Roadside (M1068A3)	
Replace	0835 00-1
Data Panel Assembly (M1068A3)	
A12, Curbside	
Replace	0819 00-1
Data Plates, Stencils, Markers, and Decals	
Replace	0654 00-1
Dataplates, Decals, and Markers	
All Models	0644 00-1
M1059A3	0651 00-1
M1064A3	0652 00-1
M113A3, M1059A3	0647 00-1
M113A3, M901A3, M1059A3, M58	0646 00-1
M113A3, M901A3, M981A3, M1059A3	0645 00-1
M577A3, M1068A3 Only	0648 00-1
M58	0653 00-1
M901A3	0649 00-1
M981A3	0650 00-1
DC Battery Cable (W4) (M1068A3)	
Replace	0838 00-1
DC power extension box (M1068A)	
A9, replace	0834 00-1
DC Power Extension Cable (W10)	
(M1068A3)	
Replace	0844 00-1
DCA battery voltage diagnostic troubleshooting	0141 00-1
DCA current shunt diagnostic troubleshooting	0142 00-1
Detector	
Auxiliary tank fluid level	
Replacement	0329 00-1
Diagram	
Communication Cabling (M58)	0884 00-1
Communication Cabling (M901A3)	0883 00-1

INDEX, cont'd

<u>Subject</u>	<u>WP Sequence No.-Page No.</u>
Differential pressure switch	
Bypass plug	
Replace	0401 00-1
Fuel filter	
Replacement	0328 00-1
Dipstick	
Transmission oil level filler tube, and adapter	
(X200-4 only)	
Replace	0395 00-1
(X200-4A only)	
Replace	0396 00-1
Discharge Tubes	
Cylinder	
Replace	0899 00-1
Discharge Tubes (M58 Only)	
Cylinder, Turbine	
Replace	0900 00-1
Distribution box	
M113A3, M901A3, M1059A3, M1064A3, and M58 only	
Repair	0270 00-1
Replacement	0269 00-1
M577A3 and M1068A3 only	
Replacement	0271 00-1
Distribution Box	
M901A3 only	
Replacement	0272 00-1
Distribution box	
M981A3 only	
Repair	0273 00-1
Replacement	0273 00-1
Distribution Box	
STE/ICE	
M113A3, M901A3, and M1059A3	
Replace	0874 00-1
STE/ICE, M1064A3	
Replace	0877 00-1
STE/ICE, M577A3 and M1068A3	
Replace	0875 00-1
STE/ICE, M981A3	
Replace	0876 00-1
Distribution box catch and strike	
M981A3 only	
Replacement	0274 00-1
Distribution Panel Assembly, Power, VFM	

INDEX, cont'd

<u>Subject</u>	<u>WP Sequence No.-Page No.</u>
M981A3	
Replace/Repair	0913 00-1
Dome blackout light bypass switch	
M577A3 and M1068A3 only	
Replacement	0317 00-1
Dome light	
All except M577A3 and M1068A3	
Repair	0310 00-1
Replacement	0309 00-1
M577A3 and M1068A3 only	
Repair	0312 00-1
Replacement	0311 00-1
Dome light and mount	
M577A3 and M1068A3 only	
Repair	0312 00-1
Dome light circuit breaker	
M577A3 and M1068A3 only	
Replacement	0316 00-1
Dome light lens	
All except M577A3 and M1068A3	
Replacement	0313 00-1
Dome light malfunction	
M577A3 only	0040 00-1
Dome light switch	
Front	
M577A3 and M1068A3 only	
Replacement	0314 00-1
Rear	
M577A3 and M1068A3 only	
Replacement	0315 00-1
Dome light(s) do not work	0039 00-1
Door	
Power plant	
All except M113A3	
Replacement	0471 00-1
M113A3 only	
Replacement	0470 00-1
Repair	0472 00-1
Door combat lock	
Power plant	
Replacement	0473 00-1
Drain Check Valve and tubes	
Left Air Box	
Replace	0159 00-1

INDEX, cont'd

<u>Subject</u>	<u>WP Sequence No.-Page No.</u>
Drain cock and hose, replace	0235 00-1
Drain plug	
Hull	
Replacement	0451 00-1
Drain plugs	
Final drive hull	
Replacement	0452 00-1
Fuel tank (all except M577A3 and M1068A3)	
Replace	0187 00-1
Ramp	
Replacement	0515 00-1
Drawer	
Battery	
M1064A3 only	
Repair	0353 00-1
Small items storage (M981A3)	
Repair	0598 00-1
Drive belt	
Generator	
Replacement	0253 00-1
Drive Belt	
Ventilating Fan	
Replace	0243 00-1
Drive pulley	
Ventilating fan	
Replace	0244 00-1
Drive shaft and bearing housing	
Fan	
Replacement	0248 00-1
Drive sprocket and carrier assembly	
Replacement	0420 00-1
Drive sprocket carrier assembly	
Repair	0421 00-1
Driver's compartment floor plates	
Replacement	0453 00-1
Driver's footrest	
Replace	0558 00-1
Driver's hatch	
AN/VVS-2 driver's night vision guard (All except M58)	
Replace	0536 00-1
Driver's Hatch	
Bumper	
(M113A3, M1059A3, M1064A3, and M58 Only)	
Replace	0532 00-1

INDEX, cont'd

<u>Subject</u>	<u>WP Sequence No.-Page No.</u>
Cover	
(All Except M901A3 and M981A3)	
Replace	0531 00-1
Cushioning Pad	
Replace	0530 00-1
Exterior Lock	
(All Except M901A3 and M981A3)	
Replace	0531 00-1
Hold-open Hook	
(M113A3, M1059A3, M1064A3, and M58 Only)	
Replace	0532 00-1
Hold-open Hook and Bumper	
M577A3 and M1068A3, Replace	0533 00-1
Interior Latch	
Replace	0534 00-1
Interior Lock	
Replace	0534 00-1
Driver's hatch	
M901A3 and M981A3	
Repair	0538 00-1
Driver's Hatch	
Vision Block Locks and Seals, Replace	0535 00-1
Driver's Intercommunication Set	
Cable (M58)	
Replace	0892 00-1
Driver's Level Indicator	
(M901A3 and M981A3), Replace/Repair	0630 00-1
Driver's night vision (DNV) (AN/VVS-2) power supply cable assembly	
All except M58	
Replacement	0368 00-1
Driver's night vision mount (AN/VVS-2)	
All except M58	
Replace	0537 00-1
Driver's Night Vision Stowage (AN/VVS-2)	
All except M58, Replace	0572 00-1
Driver's power plant access panel	
Replacement	0441 00-1
Driver's Seat	
Repair	0552 00-1
Driver's seat assembly	
Replace	0551 00-1
Driver's seat back assembly	
Repair	0554 00-1
Replace	0553 00-1

INDEX, cont'd

<u>Subject</u>	<u>WP Sequence No.-Page No.</u>
Driver's seat impact absorber	
Replace	0555 00-1
Driver's seat post assembly	
Repair	0557 00-1
Replace	0556 00-1
Driver's windshield	
Replace	0739 00-1
towage bag, straps, and decal	
Replace	0740 00-1
E	
Elbow	
Air intake	
Replace	0173 00-1
Coolant Heater Exhaust	
Replace	0724 00-1
Electrical Cable Assembly	
Air Compressor	
(M1059A3 Only)	
Replace	0758 00-1
Fog Oil Pump	
(M1059A3 Only)	
Replace	0759 00-1
Smoke Generator	
(Adapter Access Plate to Generator) (M1059A3 Only)	
Replace	0761 00-1
Element	
Filter	
Air Cleaner	
Service	0167 00-1
Enclosure	
Generator set (M577A3 and M1068A3)	
Replace	0674 00-1
Enclosure Assembly	
A1	
Power Control	
Replace	0826 00-1
Engine	
Adapter, Tachometer	
Replace	0863 00-1
Block Fitting and Hardware	
Replace	0717 00-1
Exhaust elbows	
Left/right, replace	0225 00-1

INDEX, cont'd

<u>Subject</u>	<u>WP Sequence No.-Page No.</u>
Fuel return hose	
Replace	0201 00-1
Fuel supply hose	
Replace	0200 00-1
Lifting bracket, replace	0161 00-1
Oil filler cap, replace	0162 00-1
Oil sampling valve and hose, replace	0163 00-1
Engine Coolant Heater System	
Drain and Fill	0710 00-1
Engine coolant low level indicator malfunctions	0058 00-1
Engine Coolant Pump	
Replace	0241 00-1
Engine cranks but will not start	0021 00-1
Engine cranks but won't start below 40 degrees (air box heater is used)	0022 00-1
Engine cranks but won't start below 40 degrees F (glow plugs are used)	0023 00-1
Engine cranks slowly	0020 00-1
Engine does not crank	0016 00-1
Engine does not start (cold weather only)	0017 00-1
Engine exhaust elbows and double flex joint	
Replacement	0221 00-1
Engine fuel pump	
Replacement	0166 00-1
Engine Mounts	
Replace	0158 00-1
Engine oil low pressure indicator comes on	0026 00-1
Engine oil low pressure indicator malfunctions	0055 00-1
Engine oil low pressure transmitter and hardware	
Replacement	0320 00-1
Engine overcools	0015 00-1
Engine overheats	0014 00-1
Engine runs rough, stalls, or doesn't put out full power	0024 00-1
Engine start switch	
Replacement	0284 00-1
Engine wiring harness	
Replacement	0359 00-1
Equipment Description	0002 00-1
Location and Description of Major Components	0002 00-1
Evacuator valve and connector	
Exhaust	
Replace	0175 00-1
Exhaust	
Evacuator valve and connector	
Replace	0175 00-1
Exhaust elbows and double flex joint	

INDEX, cont'd

<u>Subject</u>	<u>WP Sequence No.-Page No.</u>
Engine	
Replacement	0221 00-1
Exhaust Joint, Double Flex, Repair	0222 00-1
Exhaust muffler and bracket	
Replace	0224 00-1
Exhaust Pipe Heat Shield, Turbo, Left/Right, Replace	0226 00-1
Exhaust Pipes, Heater	
IAll Except M1064A3)	
Replace	0682 00-1
Expendable/Durable Supplies and Materials List	0928 00-1
Extension Box A7	
AC Power	
Replace	0815 00-1
Exterior catches and bumpers	
Mortar hatch	
M1064A3 only	
Replacement	0480 00-1
Exterior Lock	
Driver's Hatch	
(All Except M901A3 and M981A3)	
Replace	0531 00-1
External Handle	
Fire Extinguisher	
Replace	0904 00-1
External Handle Shield	
M1064A3	
Replace	0903 00-1
M113A3, M901A3, M981A3, and M1059A3	
Replace	0901 00-1
M577A3 and M1068A3	
Replace	0902 00-1
Extinguisher, Fire	
Cylinder and Mount	
Replace	0898 00-1
F	
Fan	
Ventilating (M901A3 and M981A3)	
Replace	0866 00-1
Ventilation	
M577A3 and M1068A3 only	
Replacement	0383 00-1
Fan and generator variable speed drive	
Replacement	0249 00-1

INDEX, cont'd

<u>Subject</u>	<u>WP Sequence No.-Page No.</u>
Fan drive pulley access cover	
Removal/installation	0440 00-1
Fan drive shaft and bearing housing	
Replacement	0248 00-1
Field pressure switch	
Generator	
Replacement	0323 00-1
Filler Cap	
Strainer Parts	
(All Except M577A3 and M1068A3)	
Replace	0184 00-1
(M577A3 AND M1068A3), Replace	0185 00-1
Filler Cover and Lock	
Fuel Tank	
Replace	0182 00-1
Filler Flange	
Fuel Tank	
(M577A3 and M1068A3 Only)	
Replace	0189 00-1
Filler tube	
Dipstick, transmission oil level	
(X200-4 only)	
Replace	0395 00-1
(X200-4A only)	
Replace	0396 00-1
Filler tube and dipstick	
Final drive	
Replacement	0402 00-1
Filler, fuel and strainer parts (M577A3 and M1068A3), replace	0186 00-1
Filter	
Fuel	
Replace	0726 00-1
Gas, VFM, M25/M25A1	
(M981A3)	
Replace	0906 00-1
Filter assembly	
Precleaner/particulate	
(M981A3)	
Replace	0909 00-1
Filter Element	
Transmission oil	
Replace	0398 00-1
Final drive	
Replacement	0403 00-1

INDEX, cont'd

<u>Subject</u>	<u>WP Sequence No.-Page No.</u>
Final drive differential oil seal	
Replacement	0404 00-1
Final drive filler tube and dipstick	
Replacement	0402 00-1
Final drive hull drain plugs	
Replacement	0452 00-1
Fire Extinguisher	
Cylinder and Mount	
Replace	0898 00-1
Fire Extinguisher	
Control Valve	
Replace	0904 00-1
External Handle	
Replace	0904 00-1
M1059A3	
Replace	0896 00-1
Fittings	
Coolant Heater Fuel Inlet	
Replace	0712 00-1
Fuel Return	
M1064A3	
Replace	0197 00-1
M113A3, M901A3, M981A3, M1059A3, and M58	
Replace	0195 00-1
M577A3 and M1068A3	
Replace	0196 00-1
Fuel Vent (M577A3 and M1068A3)	
Replace	0198 00-1
Personnel heater	
M577A3, M901A3, and M1068A3 only	
Replace	0700 00-1
Ramp Control Valve (with Internal Relief Valve)	
Replace	0661 00-1
Flame Detector Switch	
Adjust	0727 00-1
Coolant Heater	
Replace	0734 00-1
Flat pulleys and bearings	
Replacement	0245 00-1
Floor plates	
Driver's compartment	
Replacement	0453 00-1
M1068A3 only	
Replace	0544 00-1

INDEX, cont'd

<u>Subject</u>	<u>WP Sequence No.-Page No.</u>
Floor Plates	
M113A3 and M577A3 only	
Replace	0539 00-1
Floor plates	
M58 only	
Replace	0545 00-1
Floor Plates (M1059A3)	
Replace	0542 00-1
Floor Plates (M1064A3)	
Replace	0543 00-1
Floor Plates (M901A3)	
Replace	0540 00-1
Floor Plates (M981A3)	
Replace	0541 00-1
Fluid level detector	
Auxiliary tank	
Replacement	0329 00-1
Fluorescent Light Assemblies	
(M1068A3)	
Replace	0825 00-1
Fluorescent lights do not operate	
M1068A3 only	0102 00-1
Fog Oil (M1059A3)	
Tank Module	
Replace	0753 00-1
Fog Oil Pump	
Electrical Cable Assembly	
(M1059A3 Only)	
Replace	0759 00-1
Fog Oil Pump Assembly	
(M1059A3 Only)	
Replace	0763 00-1
Fog Oil Quick Disconnect to Adapter Access Plate Hose (M1059A3), Cover Assembly	
Replace	0770 00-1
Fog Oil Tank (M1059A3)	
Hose	
Quick Disconnect to Adapter Access Plate	
Replace	0769 00-1
Footrest	
Driver's	
Replace	0558 00-1
Forward spall liner and bracket	
M113A3 only	
Replacement	0507 00-1

INDEX, cont'd

<u>Subject</u>	<u>WP Sequence No.-Page No.</u>
Forward Table, Right	
M577A3, Replace	0581 00-1
Forward upper right and left side spall liners	
M113A3 only	
Replacement	0508 00-1
Frame	
Blackout Curtain (M577A3 and M1068A3)	
Replace	0629 00-1
Front access cover	
Hull	
Replacement	0449 00-1
Front and/or rear bilge pump(s) and/or lights don't work	0080 00-1
Front Armor	
(M113A3) Replace	0749 00-1
Front armor plate	
Left	
Replacement	0447 00-1
Right	
Replacement	0448 00-1
Front Bilge Pump	
Replace	0632 00-1
Strainer	
Replace	0632 00-1
Front Bilge Valve	
Replace	0633 00-1
Front dome light switch	
M577A3 and M1068A3 only	
Replacement	0314 00-1
Fuel control cable	
Replace	0220 00-1
Fuel Shutoff Valve	
Coolant Heater	
Replace	0720 00-1
Fuel Can Lid Assembly	
Smoke Generator (M1059A3)	
Replace	0764 00-1
Fuel cap vent and filter screen, clean	0176 00-1
Fuel Control Linkage	
Replace	0217 00-1
Fuel Control Shaft	
Replace	0217 00-1
Fuel Filter	
Coolant Heater	
Service	0708 00-1

INDEX, cont'd

<u>Subject</u>	<u>WP Sequence No.-Page No.</u>
Fuel filter	
Personnel heater	
M577A3, M901A3, and M1068A3 only	
Replace	0700 00-1
Fuel Filter	
Replace	0726 00-1
Fuel filter differential pressure switch	
Replacement	0328 00-1
Fuel Filter Elements	
Primary and Secondary	
Replace	0202 00-1
Fuel filter, hose, tube, and fittings	
Personnel heater	
M577A3, M901A3, and M1068A3 only	
Replace	0700 00-1
Fuel filter, hoses, and fittings	
Personnel heater	
M1064A3 only	
Replace	0688 00-1
Fuel Filters and Brackets	
Primary and Secondary	
Replace	0203 00-1
Fuel level indicator malfunctions	0049 00-1
Fuel Line	
Air box Heater	
Replace	0206 00-1
Fuel Lines	
Air From Personnel Heater	
Bleed	0679 00-1
Fuel Lines and Guards	
Smoke Generator (M1059A3)	
Replace	0765 00-1
Fuel Pump	
Coolant Heater	
Replace	0723 00-1
Service	0709 00-1
Fuel pump	
Engine	
Replacement	0166 00-1
Fuel Pump Hose	
Coolant Heater	
Replace	0711 00-1
Fuel quantity transmitter	
All except M577A3 and M1068A3, replace	0190 00-1

INDEX, cont'd

<u>Subject</u>	<u>WP Sequence No.-Page No.</u>
M577A3A and M1068A3, replace	0191 00-1
Fuel return hoses	
Engine	
Replace	0201 00-1
M1064A3	
Replace	0197 00-1
M113A3, M901A3, M981A3, M1059A3, and M58	
Replace	0195 00-1
M577A3 and M1068A3	
Replace	0196 00-1
Fuel return pressure transducer	
Replacement	0325 00-1
Fuel select switch to gauge lead	
All except M577A3 and M1068A3	
Replacement	0281 00-1
Fuel selector switch	
M577A3 and M1068A3 only	
Replacement	0277 00-1
Fuel shut-off valve	
Assembly (M113A3, M981A3, M1059A3, and M58)	
Personnel heater	
Replace	0684 00-1
Fuel shutoff valve	
Auxiliary power unit	
M577A3 and M1068A3 only	
Replace	0676 00-1
Fuel Supply	
Hoses, Tubes, and Fittings	
M1064A3	
Replace	0194 00-1
M113A3, M901A3, M981A3, M1059A3, and M58	
Replace	0192 00-1
Fuel supply	
Hoses, tubes, and fittings	
M577A3 and M1068A3	
Replace	0193 00-1
Fuel supply hoses	
Auxiliary power unit bulkhead-to-hull	
M577A3 and M1068A3 only	
Replace	0678 00-1
Auxiliary power unit valve-to-bulkhead	
M577A3 and M1068A3 only	
Replace	0677 00-1
Engine	

INDEX, cont'd

<u>Subject</u>	<u>WP Sequence No.-Page No.</u>
Replace	0200 00-1
Fuel supply pressure transducer	
Replacement	0324 00-1
Fuel Tank	
Access Covers (M577A3 and M1068A3)	
Replace	0188 00-1
Filler Cover and Lock	
Replace	0182 00-1
Filler Flange	
(M577A3 and M1068A3 Only)	
Replace	0189 00-1
Fuel tank access covers	
All except M577A3 abd N1068A3, replace	0187 00-1
Fuel tank drain plugs (all except M577A3 and M1068A3), replace	0187 00-1
Fuel tank filler	
Cover and lock (M577A3 and M1068A3), replace	0183 00-1
Fuel tanks	
All except M577A3 and M1068A3, replace	0179 00-1
Drain	
All except M577A3 and M1068A3	0177 00-1
Fuel Tanks	
Drain	
M577A3 and M1068A3	0178 00-1
Fuel tanks	
M577A3 and M1068A3	
Replacement	0180 00-1
Temporary repair (M577A3 and M1068A3)	0181 00-1
Fuel tube	
Personnel heater	
All except M1064A3	
Replace	0686 00-1
Fuel Valve	
Mounting Blocks	
(All Except M577A3 and M1068A3)	
Replace	0199 00-1
Fuel Vent Hoses, Tubes, and Fittings (M577A3 and M1068A3)	
Replace	0198 00-1
G	
Gas filter	
VFM, M25/M25A1	
(M981A3)	
Replace	0906 00-1
Gasket	

INDEX, cont'd

<u>Subject</u>	<u>WP Sequence No.-Page No.</u>
Adapter Access Plate	
Smoke Generator (M1059A3)	
Replace	0766 00-1
Turbine access door	
M58 only	
Replacement	0486 00-1
Gauges	
Instrument panel	
Replacement	0285 00-1
General Information	0001 00-1
Generator	
Drive belt	
Replacement	0253 00-1
Replacement	0255 00-1
Turnbuckle parts	
Replacement	0254 00-1
Generator drive belt	
Adjustment	0252 00-1
Generator field pressure switch	
Replacement	0323 00-1
Generator malfunctions as indicated by battery/generator indicator	0025 00-1
Generator set	
Enclosure (M577A3 and M1068A3)	
Replace	0674 00-1
Glow Plug	
Controller Mounting Bracket	
Replace	0212 00-1
Glow plug	
Power harness, replace	0211 00-1
Glow Plug Cable Assembly	
Smoke Generator (M1059A3)	
Replace	0772 00-1
Glow plug controller	
Replacement	0210 00-1
Glow plug harness	
Replacement	0209 00-1
Glow plugs	
Replacement	0209 00-1
Governor assembly	
Replace	0397 00-1
Grill	
Air Intake elbow and hose	
Replace	0174 00-1
Grill screen	

INDEX, cont'd

<u>Subject</u>	<u>WP Sequence No.-Page No.</u>
Power plant	
Replacement	0468 00-1
Grill support arm	
Power plant	
Replacement	0467 00-1
Grille	
Power plant	
Raise and lower	0464 00-1
Removal/installation	0465 00-1
Ground lead	
Auxiliary power (slave) receptacle	
M113A3, M901A3, M1059A3, M1064A3, and M58 only	
Replacement	0379 00-1
Battery	
M577A3 and M1068A3 only	
Connect	0338 00-1
Disconnect	0338 00-1
M981A3 only	
Connect	0339 00-1
Disconnect	0339 00-1
Ground strap	
Battery	
M113A3, M901A3, M1059A3, M1064A3, and M58 only	
Connect	0337 00-1
Disconnect	0337 00-1
Ground Strap (W12)	
(M1068A3) Replace	0846 00-1
Guard	
AN/VVS-2 driver's night vision	
Driver's hatch (All except M58)	
Replace	0536 00-1
Antenna	
All except M981A3	
Replace	0575 00-1
Antenna (M981A3)	
Replace	0600 00-1
Headlight	
Replacement	0446 00-1
Smoke grenade launcher	
M113A3, M901A3, M981A3, and M1059A3 only	
Replacement	0455 00-1
STE/ICE Shunt (M113A3, M901A3, and M1059A3)	
Replace	0868 00-1
STE/ICE Shunt (M981A3)	

INDEX, cont'd

<u>Subject</u>	<u>WP Sequence No.-Page No.</u>
Replace	0869 00-1
H	
Hand throttle control cable	
Replace	0219 00-1
Handle and Arms	
Ramp Lock	
(All Except M577A3 and M1068A3)	
Repace	0524 00-1
Harness	
Cascade Remote (M1068A3)	
Replace	0847 00-1
Glow plug	
Replacement	0209 00-1
Trailer	
Replacement	0375 00-1
Harness W32	
(M1068A3) Replace	0848 00-1
Headlight	
Blackout	
Repair	0306 00-1
Replacement	0305 00-1
Headlight guard	
Replacement	0446 00-1
Headlight high beam selector switch	
Replacement	0333 00-1
Headlights	
Service and infrared	
Repair	0304 00-1
Replacement	0303 00-1
Heat Exchanger	
Battery Box Insulation	
Replace	0718 00-1
Heat shield	
Turbo exhaust pipe	
Left/right, replace	0226 00-1
Heater	
VFM, M25/M25A1	
M981A3)	
Replace	0911 00-1
Water/Ration	
Mount Bracket (M113A3 Only)	
Replace	0811 00-1
Power Cable (M113A3 Only)	

INDEX, cont'd

<u>Subject</u>	<u>WP Sequence No.-Page No.</u>
Replace	0810 00-1
Heater control box	
M3 NBC	
M1068A3 only	
Replace	0793 00-1
Heater Hoses and Fittings	
M3 NBC	
Replace	0784 00-1
High beam indicator light doesn't work	0050 00-1
High beam selector switch	
Headlight	
Replacement	0333 00-1
Hinges	
Turbine access door	
M58 only	
Replacement	0487 00-1
Hold-open Hook	
Driver's Hatch	
(M113A3, M1059A3, M1064A3, and M58 Only)	
Replace	0532 00-1
Hold-open hook and bumper	
Commander's cupola	
M113A3, M1059A3, M58, and M1064A3 only	
Replacement	0494 00-1
Hook and bumper	
Commander's cupola hold-open	
M113A3, M1059A3, M58, and M1064A3 only	
Replacement	0494 00-1
Commander's hatch	
M577A3 and M1068A3 only	
Replacement	0501 00-1
Hook and bumpers	
Cargo hatch hold-open	
M113A3, M901A3, M981A3, and M1059A3 only	
Replacement	0474 00-1
Hopper hatch	
M58 only	
Replacement	0484 00-1
Hopper hatch lock assembly	
M58 only	
Replacement	0483 00-1
Horn and ground lead	
Replacement	0336 00-1
Horn does not work	0037 00-1

INDEX, cont'd

<u>Subject</u>	<u>WP Sequence No.-Page No.</u>
Horn switch	
Replacement	0293 00-1
Hose	
Battery Plate to Battery Plate	
Replace	0722 00-1
Bulkhead to Ramp Cylinder	
Replace	0665 00-1
Coolant Heater to Surge Tank	
Replace	0725 00-1
Fuel Pump Tee To Elbow	
Replace	0721 00-1
Fuel return	
Engine	
Replace	0201 00-1
Fuel supply	
Engine	
Replace	0200 00-1
Personnel heater	
M577A3, M901A3, and M1068A3 only	
Replace	0700 00-1
Quick Disconnect to Adapter Access Plate	
Fog Oil Tank (M1059A3)	
Replace	0769 00-1
Hose, restriction indicator	
Air cleaner	
Replace	0172 00-1
Hoses	
Auxiliary power unit bulkhead-to-hull fuel supply	
M577A3 and M1068A3 only	
Replace	0678 00-1
Fuel Vent (M577A3 and M1068A3)	
Replace	0198 00-1
M13 NBC heater	
M1068A3 only	
Replace	0790 00-1
Transmission oil supply and return	
Replacement	0251 00-1
Hoses from thermostat to	
Variable speed drive	
Replacement	0250 00-1
Hoses from thermostat to variable speed drive	
Replacement	0250 00-1
Hoses, Tubes, and Fittings	
Fuel Supply	

INDEX, cont'd

<u>Subject</u>	<u>WP Sequence No.-Page No.</u>
M1064A3	
Replace	0194 00-1
M113A3, M901A3, M981A3, M1059A3, and M58	
Replace	0192 00-1
Hoses, tubes, and fittings	
Fuel supply	
M577A3 and M1068A3	
Replace	0193 00-1
How to Use Troubleshooting	
Introduction	0005 00-1
Hub	
Road wheel	
Replacement	0416 00-1
Hull	
Repair By Welding	0529 00-1
Hull drain plug	
Replacement	0451 00-1
Hull drain plugs	
Final drive	
Replacement	0452 00-1
Hull front access cover	
Replacement	0449 00-1
Hydraulic Reservoir	
Breather	
Service	0670 00-1
Hydraulic Hoses	
Power Plant	
Replace	0668 00-1
Hydraulic Pump	
Ramp	
Replace	0655 00-1
Hydraulic Reservoir	
Repair	0672 00-1
Replace	0671 00-1
Hydraulic Reservoir	
Service	0669 00-1
I	
Idler	
Pulley/belts, coolant pump, replace	0240 00-1
Idler Arm	
Replacement	0246 00-1
Idler wheel	
Replacement	0425 00-1

INDEX, cont'd

<u>Subject</u>	<u>WP Sequence No.-Page No.</u>
Idler wheel arm assembly	
Replacement	0417 00-1
Idler wheel arm bearings and seals	
Replacement	0418 00-1
Igniter	
Air Heater	
Replace	0207 00-1
Replace	0730 00-1
Ignition coil	
Air box heater	
Replace	0208 00-1
Impact absorber	
Driver's seat	
Replace	0555 00-1
In blackout mode, fluorescent lights operate incorrectly	
M1068A3 only	0101 00-1
Indicator	
Driver's Level	
Replace/Repair (M901A3 and M981A3)	0630 00-1
Indicator lights	
Replacement	0286 00-1
Infrared headlight(s) don't work	0032 00-1
Inoperable ramp	
Lower	0513 00-1
Raise	0513 00-1
Instrument panel	
Replacement	0279 00-1
Instrument panel and/or trans controller illumination lights malfunction	0038 00-1
Instrument panel gauges	
Replacement	0285 00-1
Instrument panel mounts and ground lead	
Replacement	0295 00-1
Instrument panel on-off switches	
Replacement	0282 00-1
Instrument panel special purpose cable	
Replacement	0290 00-1
Instrument panel warning lights	
Replacement	0287 00-1
Instrument panel wiring harness	
Battery-generator gauge	
All except M981A3	
Replacement	0289 00-1
Instrument warning light panel	
Replacement	0288 00-1

INDEX, cont'd

<u>Subject</u>	<u>WP Sequence No.-Page No.</u>
Insulation, Battery Drawer, Coolant Heater (M1064A3)	
Replace	0719 00-1
Intercom Amplifier	
M901A3 and M58	
Replace	0888 00-1
Intercommunications Set Control	
M901A3 and M58	
Replace	0885 00-1
Interface Wiring Harnesses	
M43 Unit	
Chemical Alarm, M113A3	
Replace	0923 00-1
Interior latch	
Cargo hatch	
M113A3, M901A3, M981A3, and M1059A3 only	
Replacement	0475 00-1
Commander's cupola	
M113A3, M1059A3, M58, and M1064A3 only	
Replacement	0496 00-1
Commander's hatch	
M577A3 and M1068A3 only	
Replacement	0502 00-1
Interior Latch	
Driver's Hatch	
Replace	0534 00-1
Interior Lock	
Driver's Hatch	
Replace	0534 00-1
Interior release mechanisms	
Mortar hatch	
M1064A3 only	
Replacement	0481 00-1
Intervehicle power cable	
M577A3 and M1068A3 only	
Replacement	0381 00-1
Inverter	
Housing A2 Terminal Blocks TB1 and TB2	
Replace (M1068A3)	0830 00-1
Inverter AC Cable (W5)	
Replace/Repair	0839 00-1
Inverter DC Cable (W6) (M1068A3)	
Replace	0840 00-1

J

INDEX, cont'd

<u>Subject</u>	<u>WP Sequence No.-Page No.</u>
Jump Seat	
Commander's	
M113A3 Replace	0563 00-1
Junction Box	
Chemical Alarm, M113A3	
Repair	0920 00-1
Power Cable/Alarm Cable, Chemical Alarm	
M113A3	
Replace	0919 00-1
K	
Kits	
Armor	
Mine (M113A3)	
Install/Remove	0752 00-1
Armor (M113A3)	
Install	0748 00-1
Litter (M113A3), Initial Installation of	0741 00-1
L	
Lamp	
Transmission range controller	
Replace	0388 00-1
LAN (M1068A3)	
Ground Box Assembly A15	
Repair	0821 00-1
Replace	0820 00-1
LAN Cable (W40) Single Point (M1068A3)	
Replace	0851 00-1
Latch	
Cargo hatch	
M901A3 only	
Repair	0476 00-1
Launch Tube	
Stowage Bracket	
Replace, M901A3	0590 00-1
Launcher	
Low-stow stowage bracket	
M901A3, Replace	0595 00-1
Lead	
Battery ground	
M577A3 and M1068A3 only	
Connect	0338 00-1
Disconnect	0338 00-1

INDEX, cont'd

<u>Subject</u>	<u>WP Sequence No.-Page No.</u>
M981A3 only	
Connect	0339 00-1
Disconnect	0339 00-1
Circuit 44A	
Power Control Enclosure (M1068A3)	
Replace	0829 00-1
Horn and ground	
Replacement	0336 00-1
Lead (circuit 49)	
Master switch to distribution box	
M113A3, M901A3, M1059A3, M1064A3, and M58 only	
Replacement	0266 00-1
M577A3 and M1068A3 only	
Replacement	0267 00-1
Lead (circuit 50)	
Master switch to auxiliary power receptacle	
M113A3, M901A3, M1059A3, M1064A3, and M58	
Replacement	0268 00-1
Lead assembly	
Master switch panel dome lights	
M577A3 and M1068A3 only	
Replacement	0380 00-1
Utility outlet	
M577A3 and M1068A3 only	
Replacement	0377 00-1
Leads and terminals	
Battery	
M113A3, M901A3, and M1059A3 only	
Replacement	0340 00-1
M577A3 and M1068A3 only	
Replacement	0341 00-1
M58 only	
Replacement	0345 00-1
M981A3 only	
Replacement	0342 00-1
Leads and terminals (left side)	
Battery	
M1064A3 only	
Replacement	0343 00-1
Leads and terminals (right side)	
Battery	
M1064A3 only	
Replacement	0344 00-1
Left Air Box	

INDEX, cont'd

<u>Subject</u>	<u>WP Sequence No.-Page No.</u>
Drain Check Valve and tubes	
Replace	0159 00-1
Left front armor plate	
Replacement	0447 00-1
Left rear utility outlet/blower does not work	
M577A3 and M1068A3 only	0043 00-1
Left Side Rack Base	
(M1068A3 Only)	
Replace	0616 00-1
Left side spill liners	
M113A3 only	
Replacement	0505 00-1
Left stop light - tail light	
M577A3 and M1068A3 only	
Replacement	0299 00-1
Repair	0300 00-1
Lens	
Dome light	
All except M577A3 and M1068A3	
Replacement	0313 00-1
Lever and Cable	
Ramp Lock	
(M577A3 and M1068A3 only)	
Repace	0525 00-1
Lid and Latches	
External Communication Box A11	
Replace (M1068A3)	0818 00-1
Lifting Eye	
Replacement	0444 00-1
Light	
Blackout marker	
Repair	0308 00-1
Replacement	0307 00-1
Dome	
All except M577A3 and M1068A3	
Repair	0310 00-1
Replacement	0309 00-1
M577A3 and M1068A3 only	
Repair	0312 00-1
Replacement	0311 00-1
Tent	
M577A3 and M1068A3 only	
Replacement	0318 00-1
Utility	

INDEX, cont'd

<u>Subject</u>	<u>WP Sequence No.-Page No.</u>
M981A3	
Replacement	0319 00-1
Light Assemblies	
Fluorescent (M1068A3)	
Replace	0825 00-1
Light Indicators	
AC AND DC	
Power Control Enclosure (M1068A3)	
Replace	0827 00-1
Light switch	
Main	
Replacement	0283 00-1
Lights	
Indicator	
Replacement	0286 00-1
Instrument panel warning	
Replacement	0287 00-1
Panel	
Replacement	0286 00-1
Warning panel	
Replacement	0294 00-1
Linkage	
Accelerator	
Adjust	0214 00-1
Fuel Control	
Replace	0217 00-1
Ramp	
(M1064A3 only)	
Replace	0528 00-1
(M113A3, M901A3, M981A3, and M1059A3)	
Replace	0526 00-1
(M577A3 and M1068A3 only)	
Repace	0527 00-1
Steering wheel	
Adjustment	0427 00-1
Replacement	0430 00-1
Litter Kit (M113A3), Initial Installation of	0741 00-1
Lock assembly	
Hopper hatch	
M58 only	
Replacement	0483 00-1
Locks	
Ramp	
Adjust (M1064A3 only)	0523 00-1

INDEX, cont'd

<u>Subject</u>	<u>WP Sequence No.-Page No.</u>
Adjust (M113A3, M901A3, M981A3, and M1059A3 only)	0521 00-1
Adjust (M577A3 and M1068A3 only)	0522 00-1
Loop and strap	
Water barrier	
M113A3, M577A3, and M1068A3 only	
Replacement	0457 00-1
Loops	
Tool Box	
Replace	0571 00-1
Low-Stow Stowage Bracket	
Launcher	
M901A3, Replace	0595 00-1
M	
M114 NBC Hoses and Brackets	
Replace	0783 00-1
M13 Air purifier and frame	
M1068A3 only	
Replace	0779 00-1
M13 NBC Filter	
Mount Bracket (M577A3)	
Replace	0803 00-1
Switch (M577A3)	
Replace	0803 00-1
M13 NBC Filter switch	
M1068A3 only	
Replace	0805 00-1
M13 NBC Filters and hoses	
M1068A3 only	
Replace	0789 00-1
M13 NBC Filters and Hoses	
Replace	0786 00-1
M13 NBC Heater	
Wiring Harness	
(M577A3)	
Replace	0808 00-1
M13 NBC heater hoses	
M1068A3 only	
Replace	0790 00-1
M13 NBC Heater wiring harness	
M1068A3 only	
Replace	0809 00-1
M13 NBC Heaters	
M1068A3 only	

INDEX, cont'd

<u>Subject</u>	<u>WP Sequence No.-Page No.</u>
Replace	0798 00-1
M13 Orifice connector assembly, bracket, and quick coupling half	
M1068A3 only	
Replace	0781 00-1
M14 NBC Cables and switch assembly	
M1059A3 only	
Replace	0799 00-1
M14 NBC Heater	
Wiring Harness	
(M113A3 Ambulance)	
Replace	0807 00-1
M26	
Periscope/Mount	
M901A3 and M981A3, Replace	0583 00-1
M26 Periscope Mount	
M901A3 and M981A3, Repair	0584 00-1
M3 NBC Heater	
Bracket (M113A3)	
Replace	0791 00-1
Control box (M113A3)	
Replace	0791 00-1
Control Box (M577A3 ONLY)	
Replace	0792 00-1
Regulator (M113A3)	
Replace	0791 00-1
Wiring Harness (M1059A3)	
Replace	0806 00-1
M3 NBC Heater control box	
M1068A3 only	
Replace	0793 00-1
M3 NBC Heater Hoses and Fittings (M113A3 Ambulance)	
Replace	0784 00-1
M3 NBC Hoses and Fittings	
Replace	0788 00-1
M8A3 NBC Hoses and Brackets	
Replace	0785 00-1, 0787 00-1
M8A3/M14 Orifice connector assembly, support, and quick coupling half	
M113A3, M1059A3, and M577A3 only	
Replace	0780 00-1
M8A3/M3 NBC Filter	
Switch Assembly (M1059A3)	
Replace	0804 00-1
Machine gun mount	
Commander's cupola	

INDEX, cont'd

<u>Subject</u>	<u>WP Sequence No.-Page No.</u>
M113A3, M1059A3, M58, and M1064A3 only	
Repair	0498 00-1
Replacement	0497 00-1
Machine gun mount stops	
Commander's cupola	
M1059A3 only	
Replacement	0499 00-1
Main light switch	
Replacement	0283 00-1
Maintenance Allocation Chart (MAC)	0925 00-1
Map Board	
(M1068A3 Only)	
Replace	0618 00-1
M577A3, Replace	0580 00-1
Map Storage Box	
(M1068A3 (Only)	
Repair	0620 00-1
(M1068A3 Only)	
Replace	0619 00-1
Master switch	
M113A3, M901A3, M1059A3, M1064A3, and M58 only	
Replacement	0262 00-1
Master switch on indicator doesn't light	0048 00-1
Master switch panel	
M113A3, M901A3, M1059A3, M1064A3, and M58	
Replacement	0260 00-1
M577A3 and M1068A3 only	
Replacement	0261 00-1
Master switch panel dome lights lead assembly	
M577A3 and M1068A3 only	
Replacement	0380 00-1
Master switch to auxiliary power receptacle lead (circuit 50)	
M113A3, M901A3, M1059A3, M1064A3, and M58	
Replacement	0268 00-1
Master switch to distribution box lead (circuit 49)	
M113A3, M901A3, M1059A3, M1064A3, and M58 only	
Replacement	0266 00-1
M577A3 and M1068A3 only	
Replacement	0267 00-1
Materials and Expendable Supplies List	0928 00-1
Meters	
AC AND DC	
Power Control Enclosure (M1068A3)	
Replace	0827 00-1

INDEX, cont'd

<u>Subject</u>	<u>WP Sequence No.-Page No.</u>
Missile Rack	
Replace	0588 00-1
Missile Rack Retainers	
Replace	0589 00-1
Mortar hatch covers	
M1064A3 only	
Replacement	0482 00-1
Mortar hatch exterior catches and bumpers	
M1064A3 only	
Replacement	0480 00-1
Mortar hatch interior release mechanisms	
M1064A3 only	
Replacement	0481 00-1
Mount	
AC and DC power extension boxes A6 and A9	
M1068A, replace	0834 00-1
Dome light	
M577A3 and M1068A3 only	
Repair	0312 00-1
Fire Extinguisher	
M1059A3, Replace	0896 00-1
Fire Extinguisher, Portable	
All Except M1068A3	
Replace	0895 00-1
M1068A3	
Replace/Repair	0897 00-1
M26 Periscope	
M901A3 and M981A3, Repair	0584 00-1
Periscope	
M26	
M901A3 and M981A3, Replace	0583 00-1
Radio Set	
M901A3	
Replace	0890 00-1
Shock absorber	
Replacement	0436 00-1
Track tension adjuster	
Replacement	0419 00-1
Transmission	
Replace	0385 00-1
Traversing Unit	
(M901A3)	
Replace	0591 00-1
Mount and Bracket	

INDEX, cont'd

<u>Subject</u>	<u>WP Sequence No.-Page No.</u>
APIU Rack (M1068A3)	
Replace	0813 00-1
Mount Bracket	
M13 NBC Filter (M577A3)	
Replace	0803 00-1
Water/Ration Heater (M113A3 Only)	
Replace	0811 00-1
Mounting	
Pamphlet bag	
Repair	0442 00-1
Mounting Blocks	
Fuel Valve (All Except M577A3 and M1068A3)	
Replace	0199 00-1
Mounting bracket	
Periscope M901A3 and M981A3 only	
Replace	0585 00-1
Mounting Bracket, and Switch	
NBC Orifice Connector Assembly	
Replace	0916 00-1
Mounts and ground lead	
Instrument panel	
Replacement	0295 00-1
Mounts, Engine	
Replace	0158 00-1
Muffler	
Bracket	
Replace	0224 00-1
Cap, replace	0223 00-1
Extension, replace	0223 00-1
Replace	0224 00-1
N	
NATO Auxiliary power (slave) receptacle	
M577A3 and M1068A3 only	
Replacement	0264 00-1
NBC	
Air Purifier and Frame	
M113A3	
Replace	0775 00-1
M58	
Replace	0914 00-1

INDEX, cont'd

<u>Subject</u>	<u>WP Sequence No.-Page No.</u>
Cable Assembly	
M58	
Remove/Install	0917 00-1
Cable to Heaters, Air Purifier, and Switch	
(M113A3)	
Replace	0800 00-1
Hose Assemblies	
M58	
Remove/Install	0915 00-1
NBC Filter	
Switch Assembly	
(M113A3 and M113A3 Ambulance)	
Replace	0802 00-1
NBC Filter switch	
M13	
M1068A3 only	
Replace	0805 00-1
NBC Filters and hoses	
M13	
M1068A3 only	
Replace	0789 00-1
NBC Heater	
Hoses and Fittings	
Replace	0782 00-1
NBC Heater control box	
M3	
M1068A3 only	
Replace	0793 00-1
NBC Heater Hoses and Fittings	
Replace	0782 00-1
NBC Heater wiring harness	
M13	
M1068A3 only	
Replace	0809 00-1
NBC Heaters	
M13	
M1068A3 only	
Replace	0798 00-1
NBC Heaters and Controllers	
Replace (M113A3)	0794 00-1
NBC kit	
M14	
Air purifier and frame (M113A3)	
Replace	0774 00-1

INDEX, cont'd

<u>Subject</u>	<u>WP Sequence No.-Page No.</u>
NBC Kit	
M3	
NBC Kit Heaters and Controllers (M113A3 AMBULANCES)	
Replace	0795 00-1
NBC kit	
M8A3	
Air purifier and frame with M3 heater kit (M1059A3)	
Replace	0778 00-1
NBC Air purifier and frame (M1059A3)	
Replace	0777 00-1
M8A3/M13	
Air purifier and frame (M577A3)	
Replace	0776 00-1
NBC Kits	
M8A3	
NBC Cables, Switch Assembly, and Brackets (M577A3)	
Replace	0801 00-1
NBC Heaters and Mounts (M1059A3)	
Replace	0797 00-1
NBC Heaters and Mounts (M577A3)	
Replace	0796 00-1
NBC Orifice Connector Assembly	
Mounting Bracket, and Switch	
Replace	0916 00-1
NBC Orifice Connector Assembly, Mounting Bracket, and Switch	
Replace	0916 00-1
No AC power from inverters	
M1068A3 only	0109 00-1
No AC power from tent interface panel A5	
M1068A3 only	0091 00-1
No AC/DC input to ATCCS UPS power box	
M1068A3 only	0100 00-1
No data output from data panel A12	
M1068A3 only	0110 00-1
No data output from data panel A13	
M1068A3 only	0112 00-1
No DC output from DC power supply	
M1068A3 only	0108 00-1
No DC power from tent interface panel A5	
M1068A3 only	0092 00-1
No DC power to single point LAN ground box A15	
M1068A3 only	0097 00-1
No exterior lights operate	0029 00-1
No LAN output from data panel A12	

INDEX, cont'd

<u>Subject</u>	<u>WP Sequence No.-Page No.</u>
M1068A3 only	0111 00-1
No LAN output from data panel A13	
M1068A3 only	0113 00-1
No power from curbside AC power extension box A7	
M1068A3 only	0094 00-1
No power from curbside UPS power extension box A19	
M1068A3 only	0099 00-1
No power from DC power extension box A9 (all except jack J23)	
M1068A3 only	0095 00-1
No power from DC power extension box A9, jack J23 (JTIDS)	
M1068A3 only	0096 00-1
No power from roadside AC power extension box A6	
M1068A3 only	0093 00-1
No power from UPS power extension box A18	
M1068A3 only	0098 00-1
No power to AC circuits	
M1068A3 only	0107 00-1
No power to DC circuits	
M1068A3 only	0106 00-1
Nomenclature Cross-Reference List	0001 00-10
Non-skid plates (M1064A3)	
Replace	0738 00-1
Nonskid surfaces (M981A3)	
Repair	0605 00-1

O

Oil	
Cooler hoses, fittings, and mounting	
Transmission	
Replace	0399 00-1
Filter Element	
Transmission	
Replace	0398 00-1
Filter element, engine, replace	0165 00-1
Gauge rod/tube, engine, replace	0164 00-1
Tank Module	
Fog (M1059A3)	
Replace	0753 00-1
Transmission	
Replace	0398 00-1
Oil can bracket	
Replace	0574 00-1
Oil drain tubes and bracket	
Transmission	

INDEX, cont'd

<u>Subject</u>	<u>WP Sequence No.-Page No.</u>
Replacement	0384 00-1
Oil high temperature switch	
Transmission	
Replacement	0322 00-1
Oil low pressure transmitter and hardware	
Engine	
Replacement	0320 00-1
Oil seal	
Differential	
Final drive	
Replacement	0404 00-1
Final drive differential	
Replacement	0404 00-1
On cargo hatch cover	
Spall liner	
M113A3 only	
Replacement	0509 00-1
On ramp	
Spall liner	
M113A3 only	
Replacement	0512 00-1
On ramp door	
Spall liner	
M113A3 only	
Replacement	0511 00-1
On-off switches	
Instrument panel	
Replacement	0282 00-1
Operator's Intercommunication Set Cable	
(M58)	
Replace	0894 00-1
Operator's Seat	
Replace/Repair	0567 00-1
Orifice connector assembly	
M8A3/M14	
M113A3, M1059A3, and M577A3 only	
Replace	0780 00-1
VFM, M25/M25A1	
(M981A3)	
Replace	0908 00-1
Orifice connector assembly, support, and quick coupling half	
M8A3/M14	
M113A3, M1059A3, and M577A3 only	
Replace	0780 00-1

INDEX, cont'd

<u>Subject</u>	<u>WP Sequence No.-Page No.</u>
Orifice connector support	
M8A3/M14	
M113A3, M1059A3, and M577A3 only	
Replace	0780 00-1
Orifice support quick coupling half	
M8A3/M14	
M113A3, M1059A3, and M577A3 only	
Replace	0780 00-1
P	
Pad	
Cushioning	
Replace	0570 00-1
Track shoe	
Replacement	0424 00-1
Pamphlet bag mounting	
Repair	0442 00-1
Panel	
A13, Roadside Data, (M1068A3)	
Replace	0835 00-1
Instrument	
Replacement	0279 00-1
Instrument warning light	
Replacement	0288 00-1
Master switch	
M113A3, M901A3, M1059A3, M1064A3, and M58	
Replacement	0260 00-1
M577A3 and M1068A3 only	
Replacement	0261 00-1
Power Distribution, VFM	
M981A3	
Replace/Repair	0913 00-1
Warning light	
Replacement	0292 00-1
Panel assembly	
Warning light	
Replacement	0291 00-1
Panel lights	
Replacement	0286 00-1
Parking brake	
Adjustment	0408 00-1
Parking brake bracket	
Replacement	0331 00-1
Parking brake control cable assembly	

INDEX, cont'd

<u>Subject</u>	<u>WP Sequence No.-Page No.</u>
Replacement	0411 00-1
Parking brake control lever assembly	
Replacement	0412 00-1
Parking brake indicator malfunctions	0052 00-1
Parking brake switch	
Replacement	0331 00-1
Pedal	
Service brake	
Upper and lower	
Replacement	0409 00-1
Periscope	
M26	
M901A3 and M981A3, Replace	0583 00-1
Periscope mounting bracket	
M901A3 and M981A3 only	
Replace	0585 00-1
Personnel heater	
Assembly	
All except M1064A3	
Replace	0703 00-1
M1064A3 Only	
Replace	0704 00-1
Repair	0705 00-1
Control box	
Repair	0702 00-1
Replace	0701 00-1
Personnel Heater	
Control Box Bracket	
(M1068A3 Only)	
Replace	0617 00-1
Personnel heater	
Duct	
Repair	0707 00-1
Duct and hoses	
Replace	0706 00-1
Fuel filter	
Bracket M113A3, M1059A3, and M58	
Replace	0698 00-1
Bracket M981A3	
Replace	0699 00-1
M113A3, M1059A3, and M58	
Replace	0698 00-1
M981A3	
Replace	0699 00-1

INDEX, cont'd

<u>Subject</u>	<u>WP Sequence No.-Page No.</u>
Supply hoses (M113A3, M981A3, M1059A3, and M58)	
Replace	0685 00-1
Fuel pump	
M1064A3 only	
Replace	0697 00-1
M113A3, M1059A3, and M58 only	
Replace	0695 00-1
M577A3 and M1068A3 only	
Replace	0696 00-1
Fuel pump hose	
(M113A3, M981A3, M1059A3, and M58 only)	
Replace	0689 00-1
Hose	
Fuel pump to bulkhead connection (M113A3, M981A3, M1059A3, AND M58)	
Replace	0691 00-1
Fuel pump to bulkhead connection (M577A3 AND M1068A3)	
Replace	0692 00-1
Fuel pump to bulkhead connection (M901A3)	
Replace	0693 00-1
Fuel pump to fuel shutoff valve (M901A3 AND M1064A3)	
Replace	0694 00-1
Fuel tank to fuel pump (M577A3 AND M1068A3)	
Replace	0690 00-1
Personnel Heater	
Intercom Box Bracket	
(M1068A3 Only)	
Replace	0617 00-1
Personnel heater	
Tube	
Bulkhead connection to heater	
M577A3 and M1068A3 replace	0687 00-1
Fuel (All except M1064A3)	
Replace	0686 00-1
Personnel Heater Fuel Filter	
Service	0680 00-1
Personnel Heater Fuel Pump	
Service	0681 00-1
Personnel heater malfunctions	0086 00-1
Personnel Seats, backrests, cushions and belts	
M1059A3, Replace	0549 00-1
M1064A3, Replace	0550 00-1
M981A3, Replace	0548 00-1
Personnel seats, cushions, and belts	
M113A3 only	

INDEX, cont'd

<u>Subject</u>	<u>WP Sequence No.-Page No.</u>
Replace	0546 00-1
M577A3 only	
Replace	0547 00-1
Phone extension box A14 post(s) inoperative	
M1068A3 only	0114 00-1
Pin	
Shock absorber	
Replacement	0437 00-1
Pintle	
Towing	
Repair	0434 00-1
Replacement	0433 00-1
Pipes	
Coolant Heater Exhaust	
Replace	0724 00-1
Front Bilge Pump	
Replace	0631 00-1
Rear Bilge Pump	
Replace	0634 00-1
Plate	
Smoke grenade launcher	
M113A3, M901A3, M981A3, and M1059A3 only	
Replacement	0455 00-1
Plates	
Non-skid (M1064A3)	
Replace	0738 00-1
Platform	
Commander's	
M113A3, M1059A3, M1064A3, and M58	
Replace/repair	0559 00-1
Plug	
Hull drain	
Replacement	0451 00-1
Portable Fire Extinguisher Mount	
All Except M1068A3	
Replace	0895 00-1
M1068A3	
Replace/Repair	0897 00-1
Post	
Commander's Platform (M577A3 and M1068A3)	
Replace/Repair	0564 00-1
Commander's seat	
M1064A3	
Replace	0561 00-1

INDEX, cont'd

<u>Subject</u>	<u>WP Sequence No.-Page No.</u>
M113A3, M1059A3, and M58	
Replace	0560 00-1
Post assembly	
Driver's seat	
Repair	0557 00-1
Replace	0556 00-1
Post Assembly	
M113A3	
Replace	0742 00-1, 0743 00-1
Power Cable	
Chemical Alarm	
M113A3	
Replace	0919 00-1
Power cable	
Intervehicle	
M577A3 and M1068A3 only	
Replacement	0381 00-1
Power Cable	
Water/Ration Heater	
(M113A3 Only)	
Replace	0810 00-1
Power Control Enclosure	
AC AND DC Light Indicators	
(M1068A3)	
Replace	0827 00-1
AC AND DC Meters	
(M1068A3)	
Replace	0827 00-1
Bracket (M1068A3)	
Repair	0828 00-1
Circuit 44A Lead (M1068A3)	
Replace	0829 00-1
Faceplate (M1068A3)	
Repair	0828 00-1
Power control enclosure A1 DC input/output inoperative	
M1068A3 only	0090 00-1
Power Control Enclosure Assembly	
A1	
Replace	0826 00-1
Power Distribution	
Panel Assembly, VFM	
M981A3	
Replace/Repair	0913 00-1
Power Distribution Box A3	

INDEX, cont'd

<u>Subject</u>	<u>WP Sequence No.-Page No.</u>
Replace/Repair	0831 00-1
Power Distribution Cable (W3) (M1068A3)	
Replace	0837 00-1
Power Entry Box Assembly A4	
Replace	0832 00-1
Power Extension	
Box A18, AC (M1068A3)	
Replace	0836 00-1
Power Extension Box A18 and Bracket (M1068A3)	
Replace	0836 00-1
Power Plant	
Block	0157 00-1
Hydraulic Hoses	
Replace	0668 00-1
Power plant access panel	
Driver's	
Replacement	0441 00-1
Power plant assembly	
Removal/Installation	0156 00-1
Power plant bottom access cover	
Replacement	0450 00-1
Power plant door	
All except M113A3	
Replacement	0471 00-1
M113A3 only	
Replacement	0470 00-1
Repair	0472 00-1
Power plant door combat lock	
Replacement	0473 00-1
Power plant grill screen	
Replacement	0468 00-1
Power plant grill support arm	
Replacement	0467 00-1
Power plant grille	
Raise and lower	0464 00-1
Removal/installation	0465 00-1
Power plant rear access panels	
Repair/replacement	0439 00-1
Power Plant Sling	
Inspect	0673 00-1
Power supply	
Solid state infrared	
Replacement	0297 00-1

INDEX, cont'd

<u>Subject</u>	<u>WP Sequence No.-Page No.</u>
Power Supply	
Storage Box Assembly	
Replace/Repair	0824 00-1
Power supply cable assembly	
Driver's night vision (DNV) (AN/VVS-2)	
All except M58	
Replacement	0368 00-1
Precleaner/particulate filter assembly	
(M981A3)	
Replace	0909 00-1
Pressure switch	
Differential	
Bypass plug	
Replace	0401 00-1
Oil sampling valve	
Transmission	
Replace	0400 00-1
Transmission oil	
Replace	0400 00-1
Preventive Maintenance Checks and Services (PMCS), Including Lubrication Instructions	
Annual	0155 00-1
Semi-Annual	0155 00-1
Principles of Operation	
Auxiliary Automotive System	0003 00-2
Special Equipment	0003 00-3
Winterization Equipment	0003 00-3
Printer Mount	
Replace/Repair	0823 00-1
Propeller shaft and universal joints	
Replacement	0405 00-1
Pulse Tachometer	
STE/ICE	
Replace	0867 00-1
Pump	
Coolant Heater	
Replace	0731 00-1
Engine Coolant	
Replace	0241 00-1
Hydraulic	
Ramp	
Replace	0655 00-1
Pump Assembly	
Fog Oil	
(M1059A3 Only)	

INDEX, cont'd

<u>Subject</u>	<u>WP Sequence No.-Page No.</u>
Replace	0763 00-1
Pump Unit	
Coolant Heater	
Replace	0728 00-1
Push-pull control assembly, bracket, links, and pins (cable-activated lock)	
Replacement	0429 00-1
Q	
Quick coupling half	
M13 Orifice	
M1068A3 only	
Replace	0781 00-1
M8A3/M14 Orifice support	
M113A3, M1059A3, and M577A3 only	
Replace	0780 00-1
Quick release pin and lanyard	
Replacement	0431 00-1
Quick release pins and plates	
Spall liner	
M113A3 only	
Repair	0506 00-1
R	
Rack	
Ammunition Stowage	
M901A3, Replace	0587 00-1
Backpack stowage (M981A3)	
Replace	0599 00-1
Radio	
M58	
Replace	0891 00-1
Radio Stowage	
Right Front	
M577A3, Replace	0579 00-1
Radio stowage (M1064A3), replace	0609 00-1
Rack Assembly	
Electrical Equipment	
M981A3, Replace/Repair	0597 00-1
Rack Base	
Right Side	
(M1068A3 Only)	
Replace	0622 00-1
Racks	
Radio stowage	

INDEX, cont'd

<u>Subject</u>	<u>WP Sequence No.-Page No.</u>
Left bulkhead (M577A3 and M1068A3)	
Replace	0577 00-1
Radiac wire harness	
M113A3, M577A3, and M1068A3 only	
Replacement	0376 00-1
Radiator	
Clean	0228 00-1
Outlet tube and hoses, replace	0233 00-1
Parts	
Replace	0229 00-1
Radiator access door	
Replacement	0469 00-1
Radio Operator's Seat	
M981A3, M1068A3, and M58	
Replace/Repair	0568 00-1
Radio Rack	
M58	
Replace	0891 00-1
Radio Set and Mount	
M901A3	
Replace	0890 00-1
Radio stowage rack	
Left bulkhead	
(M577A3 and M1068A3)	
Replace	0577 00-1
Radio Stowage Rack	
Right Front	
M577A3, Replace	0579 00-1
Radio(s) don't work	0044 00-1
Ramp	
Bracket	
(M113A3, M577A3, and M1068A3 Only)	
Replace	0516 00-1
Control Valve	
Elbow	
Replace	0663 00-1
Hose	
Replace	0663 00-1
Replace	0660 00-1
Control Valve (with Internal Relief Valve) and Fittings	
Replace	0661 00-1
Control Valve and Fittings (with External Relief Valve)	
Replace	0659 00-1
Cylinder	

INDEX, cont'd

<u>Subject</u>	<u>WP Sequence No.-Page No.</u>
Replace	0656 00-1
Cylinder Breather Hose	
(All Except M1064A3)	
Replace	0666 00-1
(M1064A3 Only)	
Replace	0667 00-1
Door	
Stop Bracket	
Replace	0517 00-1
External Relief Valve	
Replace	0660 00-1
Fittings with Ramp Control Valve (Internal Relief Valve)	
Replace	0660 00-1
Hose	
Bulkhead to Cylinder	
Replace	0665 00-1
Hydraulic Pump	
Replace	0655 00-1
Linkage	
(M1064A3 only)	
Replace	0528 00-1
(M113A3, M901A3, M981A3, and M1059A3)	
Replace	0526 00-1
(M577A3 and M1068A3 only)	
Repace	0527 00-1
Lock	
Adjust (M1064A3 only)	0523 00-1
Adjust (M113A3, M901A3, M981A3, and M1059A3 only)	0521 00-1
Adjust (M577A3 and M1068A3 only)	0522 00-1
Vision Port and Shield	
M901A3, M981A3, and M58, Replace/Repair	0586 00-1
Ramp Door	
Handles	
Replace	0519 00-1
Hook	
Replace	0518 00-1
Seal	
Replace	0520 00-1
Shaft	
Replace	0519 00-1
Spring	
Replace	0518 00-1
Ramp door switch and mount	
M577A3 and M1068A3 only	

INDEX, cont'd

<u>Subject</u>	<u>WP Sequence No.-Page No.</u>
Replacement	0335 00-1
Ramp drain plugs	
Replacement	0515 00-1
Ramp Lock	
Handle and Arms	
(All Except M577A3 and M1068A3)	
Replace	0524 00-1
Lever and Cable	
(M577A3 and M1068A3 only)	
Replace	0525 00-1
Ramp operation is slow or sluggish	0083 00-1
Ramp seal	
Replacement	0514 00-1
Ramp will not lower	0082 00-1
Ramp will not raise or free falls	0084 00-1
Range controller	
Bracket	
Replace	
Used with cable-activated steering lock	0387 00-1
Used with solenoid-activated steering lock	0386 00-1
Transmission	
Used with cable-activated steering lock	
Replace	0387 00-1
Used with solenoid-activated steering lock	
Replace	0386 00-1
Range controller lamp	
Transmission	
Replace	0388 00-1
Range controller switch	
Transmission	
Replace	0389 00-1
Rear access panels	
Power plant	
Repair/replacement	0439 00-1
Rear Armor	
(M113A3)	
Replace	0751 00-1
Rear Bilge Pump	
Pipes	
Replace	0634 00-1
Replace	0635 00-1
Strainer	
Replace	0635 00-1
Rear compartment air ventilator	

INDEX, cont'd

<u>Subject</u>	<u>WP Sequence No.-Page No.</u>
Replacement	0454 00-1
Rear dome light switch	
M577A3 and M1068A3 only	
Replacement	0315 00-1
Rear external stowage frame	
M1068A3 only	
Replace	0626 00-1
Rear main wiring harness	
M1064A3 only	
Replacement	0364 00-1
M1068A3 only	
Replacement	0365 00-1
M113A3, M901A3, M981A3, M1059A3, and M58	
Replacement	0362 00-1
M577A3 only	
Replacement	0363 00-1
Rear tiedown plates	
Replacement	0445 00-1
Rear upper hull spill liner	
M113A3 only	
Replacement	0510 00-1
Rear utility outlet receptacles	
M577A3 and M1068A3 only	
Replacement	0378 00-1
Rear utility receptacle circuit breakers	
M577A3 and M1068A3 only	
Replacement	0276 00-1
Receptacle	
Auxiliary power (slave)	
M113A3, M901A3, M1059A3, M1064A3, and M58 only	
Replacement	0263 00-1
NATO Auxiliary power (slave)	
M577A3 and M1068A3 only	
Replacement	0264 00-1
Utility outlet	
All except M981A3	
Replacement	0265 00-1
Receptacles	
Rear utility outlet	
M577A3 and M1068A3 only	
Replacement	0378 00-1
Reel holder assembly	
Cable (M981A3 and M1064A3)	
Repair	0604 00-1

INDEX, cont'd

<u>Subject</u>	<u>WP Sequence No.-Page No.</u>
Reel holder assembly, cable (M981A3 and M1064A3)	
Replace	0603 00-1
Refill Tray Bracket	
Chemical Alarm, M113A3	
Replace	0922 00-1
Regulator	
Voltage	
Adjustment	0256 00-1
Regulator assembly	
Replacement	0257 00-1
Release	
Trim vane	
Repair	0463 00-1
Replacement	0462 00-1
Release mechanisms	
Mortar hatch interior	
M1064A3 only	
Replacement	0481 00-1
Restriction indicator	
Air cleaner	
Replace	0171 00-1
Rifle Brackets	
Replace	0573 00-1
Rifle Rack	
(M1064A3), Replace	0612 00-1
Right Equipment Rack	
Brackets and Mounts (M1068A3)	
Replace	0814 00-1
Right front armor plate	
Replacement	0448 00-1
Right headlight wiring harness	
Replacement	0373 00-1
Right rear utility outlet/admittance buzzer works improperly	
M577A3 and M1068A3 only	0042 00-1
Right Side Base Extension M1068A3	
Replace	0623 00-1
Right side spall liners	
M113A3 only	
Replacement	0504 00-1
Right stop light - tail light	
M577A3 only	
Replacement	0301 00-1
Repair	0302 00-1
Road wheel	

INDEX, cont'd

<u>Subject</u>	<u>WP Sequence No.-Page No.</u>
Replacement	0426 00-1
Road wheel hub	
Replacement	0416 00-1
Road wheel support arm, bearings, and seals	
Replacement	0415 00-1
Roadside Data Panel A13	
M1068A3	
Replace	0835 00-1
S	
Safety pin stowage block	
Commander's cupola	
M113A3, M1059A3, M58, and M1064A3 only	
Replacement	0495 00-1
Safety Relief Valve	
Fittings	
Replace	0662 00-1
Hose	
Replace	0662 00-1
Replace	0662 00-1
Tube	
Replace	0662 00-1
Sampling valve	
Transmission oil	
Replace	0400 00-1
Schematic	
All except M577A3 and M1068A3	
Engine fuel system	0009 00-1
All except M981A3	
Bilge pump	0078 00-1
Coolant heater	0087 00-1
Engine charging system	0007 00-1
Engine starter circuit	0011 00-1
Indicators	0046 00-1
STE/ICE	0136 00-1
All except M981A3)	
Electrica	0027 00-1
(cable-activated lock)	
Steering lock	0075 00-1
Engine air box heater	0013 00-1
M577A3 and M1068A3 only	
Engine fuel system	0010 00-1
M981A3 only	
Bilge pump	0079 00-1

INDEX, cont'd

<u>Subject</u>	<u>WP Sequence No.-Page No.</u>
Coolant heater	0088 00-1
Electrical	0028 00-1
Engine charging system	0008 00-1
Engine starter circuit	0012 00-1
Indicators	0047 00-1
STE/ICE	0137 00-1
Personnel heater	0085 00-1
Ramp	0081 00-1
(solenoid-activated lock)	
Steering lock	0074 00-1
Transmission	0060 00-1
Seal	
Ramp	
Replacement	0514 00-1
Ramp Door	
Replace	0520 00-1
Seals	
Cargo hatch	
M113A3, M901A3, M981A3, and M1059A3 only	
Replacement	0478 00-1
Idler wheel arm	
Replacement	0418 00-1
Road wheel support	
Replacement	0415 00-1
Seat	
Commander's	
Jump	
Replace, M113A3	0563 00-1
M1064A3	
Replace	0561 00-1
M113A3, M1059A3, and M58	
Replace	0560 00-1
M113A3, M1059A3, M1064A3, and M58	
Repair	0562 00-1
Driver's	
Back Assembly	
Repair	0554 00-1
Replace	0553 00-1
Impact absorber	
Replace	0555 00-1
Post assembly	
Repair	0557 00-1
Repair	0552 00-1
Replace	0551 00-1

INDEX, cont'd

<u>Subject</u>	<u>WP Sequence No.-Page No.</u>
Personnel	
M1059A3, Replace	0549 00-1
M1064A3, Replace	0550 00-1
M981A3, Replace	0548 00-1
Radio Operator's M981A3, M1068A3, and M58	
Replace/Repair	0568 00-1
Seats	
Personnel	
M113A3 only	
Replace	0546 00-1
M577A3 only	
Replace	0547 00-1
Service and infrared headlights	
Repair	0304 00-1
Replacement	0303 00-1
Service and/or black out stop lights malfunction	0033 00-1
Service and/or parking brake won't hold carrier	0064 00-1
Service brake control linkage	
Adjustment	0407 00-1
Replacement	0410 00-1
Service brake pedal	
Upper and lower	
Replacement	0409 00-1
Service headlights don't work	0031 00-1
Service tallight doesn't work	0035 00-1
Service Upon Receipt	0154 00-1
Shaft	
Fuel Control	
Replace	0217 00-1
Shelf Assembly	
Right Side	
(M1068A3 Only)	
Replace	0621 00-1
Shield	
External Handle	
M1064A3	
Replace	0903 00-1
M113A3, M901A3, M981A3, and M1059A3	
Replace	0901 00-1
M577A3 and M1068A3	
Replace	0902 00-1
Ramp Vision Port	
M901A3, M981A3, and M58, Replace/Repair	0586 00-1
Shields, Armor, Commander's Cupola (M113A3 and M1064A3)	

INDEX, cont'd

<u>Subject</u>	<u>WP Sequence No.-Page No.</u>
Replace	0747 00-1
Shock absorber	
Replacement	0435 00-1
Shock absorber mount	
Replacement	0436 00-1
Shock absorber pin	
Replacement	0437 00-1
Shunt	
STE/ICE (M113A3, M901A3, and M1059A3)	
Replace	0870 00-1
STE/ICE (M577A3 and M1068A3)	
Replace	0871 00-1
STE/ICE (M981A3)	
Replace	0872 00-1
STE/ICE, M1064A3	
Replace	0873 00-1
Shunt Guard	
STE/ICE (M113A3, M901A3, and M1059A3)	
Replace	0868 00-1
STE/ICE (M981A3)	
Replace	0869 00-1
Side Armor	
(M113A3)	
Replace	0750 00-1
Sighting Materiel (M901A3 and M981A3)	0812 00-1
Signal Patch Panel Box A10	
Replace	0816 00-1
Sling	
Power Plant	
Inspect	0673 00-1
Small items storage drawer (M981A3)	
Repair	0598 00-1
Smoke Generator	
Electrical Cable Assembly	
(Adapter Access Plate to Generator) (M1059A3 Only)	
Replace	0761 00-1
Internal Cable Assembly	
(M1059A3 Only)	
Replace	0760 00-1
Smoke Generator (M1059A3)	
Adapter Access Plate	
Gasket	
Replace	0766 00-1
Replace	0766 00-1

INDEX, cont'd

<u>Subject</u>	<u>WP Sequence No.-Page No.</u>
Adapter Access Plate to Cover Assembly Air Hose	
Replace	0768 00-1
Air Hose	
Compressor Reservoir to Access Plate	
Replace	0767 00-1
Armor	
Replace	0771 00-1
Breather Hose Assembly	
Replace	0754 00-1
Control Panel Assembly	
Replace	0756 00-1
Fuel Can Lid Assembly	
Replace	0764 00-1
Fuel Filter	
Replace	0773 00-1
Fuel Lines and Guards	
Replace	0765 00-1
Glow Plug Cable Assembly	
Replace	0772 00-1
Power Supply Cable Assembly	
Replace	0757 00-1
Replace	0755 00-1
Support Bracket	
Replace	0755 00-1
Water Separator	
Replace	0773 00-1
Smoke grenade launcher guard, plate, and base	
M113A3, M901A3, M981A3, and M1059A3 only	
Replacement	0455 00-1
Smoke grenade launcher wiring harness	
M113A3, M901A3, M981A3, M1059A3, and M58 only	
Replacement	0366 00-1
Smoke grenade launcher(s) malfunction	
M113A3, M901A3, M981A3, and M1059A3 only	0045 00-1
Solenoid, bracket, links, and pins (solenoid-activated lock)	
Steering lock	
Replacement	0428 00-1
Solenoid-activated steering lock malfunctions	0076 00-1
Solid state infrared power supply	
Replacement	0297 00-1
Spacer	
Traversing unit mount	
(M901A3)	
Replace	0591 00-1

INDEX, cont'd

<u>Subject</u>	<u>WP Sequence No.-Page No.</u>
Spall liner	
Rear upper hull	
M113A3 only	
Replacement	0510 00-1
Spall liner and bracket	
Forward	
M113A3 only	
Replacement	0507 00-1
Spall liner on cargo hatch cover	
M113A3 only	
Replacement	0509 00-1
Spall liner on ramp	
M113A3 only	
Replacement	0512 00-1
Spall liner on ramp door	
M113A3 only	
Replacement	0511 00-1
Spall liner quick release pins and plates	
M113A3 only	
Repair	0506 00-1
Spall liners	
Forward upper right and left side	
M113A3 only	
Replacement	0508 00-1
Left side	
M113A3 only	
Replacement	0505 00-1
Right side	
M113A3 only	
Replacement	0504 00-1
Special purpose cable	
Instrument panel	
Replacement	0290 00-1
Speedometer	
Cable	
Adapter	
Replace	0860 00-1
Replace	0860 00-1
Service	0858 00-1
Replace	0859 00-1
Speedometer Cable	
Repair	0861 00-1
Speedometer malfunctions	0115 00-1
Spring Tensioner	

INDEX, cont'd

<u>Subject</u>	<u>WP Sequence No.-Page No.</u>
Idler Arm	
Replacement	0246 00-1
Start switch	
Engine	
Replacement	0284 00-1
Starter	
Replace	0259 00-1
Starter relay switch	
Replacement	0258 00-1
STE/ICE	
Pulse Tachometer	
Replace	0867 00-1
Shunt (M113A3, M901A3, and M1059A3)	
Replace	0870 00-1
Shunt (M577A3 and M1068A3)	
Replace	0871 00-1
Shunt (M981A3)	
Replace	0872 00-1
Shunt Guard (M113A3, M901A3, and M1059A3)	
Replace	0868 00-1
Shunt Guard (M981A3)	
Replace	0869 00-1
STE/ICE Crew Wiring Harness	
M1064A3	
Replace	0881 00-1
M113A3, M901A3, and M1059A3	
Replace	0878 00-1
M577A3 and M1068A3	
Replace	0879 00-1
M981A3	
Replace	0880 00-1
STE/ICE Distribution Box	
M1064A3	
Replace	0877 00-1
M113A3, M901A3, and M1059A3	
Replace	0874 00-1
M577A3 and M1068A3	
Replace	0875 00-1
STE/ICE Distribution Box M981A3	
Replace	0876 00-1
STE/ICE Engine Wiring Harness	
Replace	0882 00-1
STE/ICE shunt M1064A3	
Replace	0873 00-1

INDEX, cont'd

<u>Subject</u>	<u>WP Sequence No.-Page No.</u>
STE/ICE test set to DCA 6	
Hook up	0117 00-1
Remove	0117 00-1
Steering	
Transmission	
Adjust	0393 00-1
Steering lock solenoid, bracket, links, and pins (solenoid-activated lock)	
Replacement	0428 00-1
Steering lock switch	
Replacement	0330 00-1
Steering lock switch wiring harness	
Replacement	0367 00-1
Steering locked indicator malfunctions	0054 00-1
Steering support, brackets, and shaft	
Replacement	0432 00-1
Steering wheel linkage	
Adjustment	0427 00-1
Replacement	0430 00-1
Stencils	
M1059A3	0640 00-1
M1064A3	0641 00-1
M1068A3 Only	0642 00-1
M113A3	0636 00-1
M577A3	0637 00-1
M58	0643 00-1
M901A3	0638 00-1
M981A3	0639 00-1
Stop light - tail light	
Left	
M577A3 and M1068A3 only	
Replacement	0299 00-1
Repair	0300 00-1
Right	
M577A3 only	
Replacement	0301 00-1
Repair	0302 00-1
Stop light - tail light and guards	
All except M577A3 and M1068A3	
Replacement	0298 00-1
Stop switch	
Replacement	0332 00-1
Storage Box Assembly	
Power Supply	
Replace/Repair	0824 00-1

INDEX, cont'd

<u>Subject</u>	<u>WP Sequence No.-Page No.</u>
Storage drawer	
Small items (M981A3)	
Repair	0598 00-1
Stowage box	
Grenade (M1064A3), replace	0610 00-1
Stowage Box	
(M113A3)	
Replace	0750 00-1
Stowage box	
Periscope (M1064A3), replace	0611 00-1
Stowage Bracket	
Launcher Low-Stow	
M901A3, Replace	0595 00-1
Launcher Tube, Replace	
M901A3	0590 00-1
Sight Extension Arm (M1064A3), Replace	0613 00-1
Stowage brackets	
Tripod (M901A3)	
Replace	0592 00-1
Stowage frame	
Rear external	
M1068A3 only	
Replace	0626 00-1
Stowage Rack	
Ammunition	
M901A3, Replace	0587 00-1
Stowage rack	
Backpack (M981A3)	
Replace	0599 00-1
Radio	
Left bulkhead (M577A3 and M1068A3)	
Replace	0577 00-1
Stowage Rack	
Radio	
Right Front	
M577A3, Replace	0579 00-1
Strainer	
Front Bilge Pump	
Replace	0632 00-1
Rear Bilge Pump	
Replace	0635 00-1
Strainer Parts	
Filler Cap	
(All Except M577A3 and M1068A3)	

INDEX, cont'd

<u>Subject</u>	<u>WP Sequence No.-Page No.</u>
Replace	0184 00-1
(M577A3 AND M1068A3), Replace	0185 00-1
Straps	
Webbing	
Replace	0569 00-1
Support	
Antenna (M981A3 and M58), replace	0602 00-1
Cargo hatch	
M901A3 only	
Replacement	0477 00-1
M8A3/M14 Orifice connector	
M113A3, M1059A3, and M577A3 only	
Replace	0780 00-1
Support, brackets, and shaft	
Steering	
Replacement	0432 00-1
Suppressor	
Transient	
M901A3	
Replace	0889 00-1
Surfaces, nonskid (M981A3)	
Repair	0605 00-1
Switch	
Blower	
M577A3 and M1068A3 only	
Replacement	0278 00-1
Dome blackout light bypass	
M577A3 and M1068A3 only	
Replacement	0317 00-1
Engine start	
Replacement	0284 00-1
Flame Detector	
Adjust	0727 00-1
Flame Detetor	
Coolant Heater	
Replace	0734 00-1
Front dome light	
M577A3 and M1068A3 only	
Replacement	0314 00-1
Fuel filter differential pressure	
Replacement	0328 00-1
Fuel selector	
M577A3 and M1068A3 only	
Replacement	0277 00-1

INDEX, cont'd

<u>Subject</u>	<u>WP Sequence No.-Page No.</u>
Generator field pressure	
Replacement	0323 00-1
Headlight high beam selector	
Replacement	0333 00-1
Horn	
Replacement	0293 00-1
Light	
Main	
Replacement	0283 00-1
M13 NBC Filter (M577A3)	
Replace	0803 00-1
Parking brake	
Replacement	0331 00-1
Rear dome Light	
M577A3 and M1068A3 only	
Replacement	0315 00-1
Rear dome light	
M577A3 and M1068A3 only	
Replacement	0315 00-1
Starter relay	
Replacement	0258 00-1
Steering lock	
Replacement	0330 00-1
Stop	
Replacement	0332 00-1
Transmission oil high temperature	
Replacement	0322 00-1
Transmission range controller	
Replace	0389 00-1
Switch and buzzer	
Admittance	
M577A3 and M1068A3 only	
Replacement	0334 00-1
Switch and mount	
Ramp door	
M577A3 and M1068A3 only	
Replacement	0335 00-1
Switch Assembly	
M8A3/M3 NBC Filter (M1049A3)	
Replace	0804 00-1
NBC Filter	
(M113A3 and M113A3 Ambulance)	
Replace	0802 00-1

INDEX, cont'd

<u>Subject</u>	<u>WP Sequence No.-Page No.</u>
T	
Table	
Right forward	
(M577A3), Replace	0581 00-1
Right Rearward	
M577A3, Replace	0582 00-1
Table, Left	
M577A3, Replace	0578 00-1
Tachometer	
Cable	
Repair	0865 00-1
Replace	0864 00-1
Service	0858 00-1
Engine adapter	
Replace	0863 00-1
Pulse	
STE/ICE	
Replace	0867 00-1
Replace	0862 00-1
Tachometer malfunctions	0116 00-1
Taillight	
Bracket	
(M1068A3 Only)	
Repair	0625 00-1
Replace	0625 00-1
Wiring Harness	
(M1068A3 Only)	
Repair	0625 00-1
Replace	0625 00-1
Tank	
Auxiliary	
Replace	0230 00-1
Module	
Fog Oil (M1059A3)	
Replace	0753 00-1
Teleposts and cover	
Replacement	0296 00-1
Tent	
Frame mounts, (M577A3)	
Replace	0628 00-1
Replace, (M577A3)	0627 00-1
Tent Interface Panel	
Box Assembly A5 (M1068A3)	
Replace	0833 00-1

INDEX, cont'd

<u>Subject</u>	<u>WP Sequence No.-Page No.</u>
Tent light	
M577A3 and M1068A3 only	
Replacement	0318 00-1
Terminal Blocks TB1 and TB2	
Inverter Housing A2 (M1068A3)	
Replace	0830 00-1
Terminals and leads	
Battery	
M113A3, M901A3, and M1059A3 only	
Replacement	0340 00-1
M577A3 and M1068A3 only	
Replacement	0341 00-1
M58 only	
Replacement	0345 00-1
M981A3 only	
Replacement	0342 00-1
Terminals and leads (left side)	
Battery	
M1064A3 only	
Replacement	0343 00-1
Terminals and leads (right side)	
Battery	
M1064A3 only	
Replacement	0344 00-1
Test 10 diagnostic troubleshooting	
STE/ICE	0140 00-1
Test 10 engine RPM	
STE/ICE	0118 00-1
Test 11 diagnostic troubleshooting	
STE/ICE	0140 00-1
Test 12 diagnostic troubleshooting	
STE/ICE	0140 00-1
Test 13 diagnostic troubleshooting	
STE/ICE	0140 00-1
Test 24 fuel supply pressure	
STE/ICE	0119 00-1
Test 24 fuel supply pressure diagnostic troubleshooting	
STE/ICE	0143 00-1
Test 25 fuel return pressure	
STE/ICE	0120 00-1
Test 25 fuel return pressure diagnostic troubleshooting	
STE/ICE	0144 00-1
Test 26 fuel filter pressure drop	
STE/ICE	0121 00-1

INDEX, cont'd

<u>Subject</u>	<u>WP Sequence No.-Page No.</u>
Test 26 fuel filter pressure drop diagnostic troubleshooting	
STE/ICE	0145 00-1
Test 30 turbocharger outlet pressure	
STE/ICE	0122 00-1
Test 30 turbocharger outlet pressure diagnostic troubleshooting	
STE/ICE	0146 00-1
Test 32 air box pressure	
STE/ICE	0123 00-1
Test 32 air box pressure diagnostic troubleshooting	
STE/ICE	0147 00-1
Test 67 battery voltage	
STE/ICE	0124 00-1
Test 68 starter motor voltage	
STE/ICE	0125 00-1
Test 68 starter motor voltage diagnostic troubleshooting	
STE/ICE	0148 00-1
Test 69 starter negative cable voltage drop	
STE/ICE	0126 00-1
Test 69 starter negative cable voltage drop diagnostic troubleshooting	
STE/ICE	0149 00-1
Test 70 starter solenoid voltage	
STE/ICE	0127 00-1
Test 70 starter solenoid voltage diagnostic troubleshooting	
STE/ICE	0150 00-1
Test 71 starter current (average)	
STE/ICE	0128 00-1
Test 72 starter current (first peak)	
STE/ICE	0129 00-1
Test 73 battery resistance	
STE/ICE	0130 00-1
Test 74 starter circuit resistance	
STE/ICE	0131 00-1
Test 75 battery resistance change (pack)	
STE/ICE	0130 00-1
Test 80 battery current	
STE/ICE	0132 00-1
Test 82 generator output voltage	
STE/ICE	0133 00-1
Test 82 generator output voltage diagnostic troubleshooting	
STE/ICE	0151 00-1
Test 83 generator field voltage	
STE/ICE	0134 00-1
Test 83 generator field voltage diagnostic troubleshooting	
STE/ICE	0152 00-1

INDEX, cont'd

<u>Subject</u>	<u>WP Sequence No.-Page No.</u>
Test 84 generator negative cable voltage drop	
STE/ICE	0135 00-1
Test 84 generator negative cable voltage drop diagnostic troubleshooting	
STE/ICE	0153 00-1
Theory of Operation	0003 00-1
Thermostat	
Hoses	
Replace	0238 00-1
Replace	0237 00-1
Tube	
Replace	0238 00-1
Thermostat Cover	
Replace	0237 00-1
Thermostatic fan speed switch, replace	0231 00-1
Throttle valve (TV)	
Lever	
Replace	0218 00-1
Modulator	
Replace	0218 00-1
Throttle Valve (TV) Modulator	
Adust	0213 00-1
Tiedown plates	
Rear	
Replacement	0445 00-1
Tool Box Loops	
Replace	0571 00-1
Torsion bar	
Replacement	0413 00-1
Torsion bar anchor	
Replacement	0414 00-1
Tow Start Control	
Bearing	
Replace	0391 00-1
Cable	
Adjust	0390 00-1
Cover	
Replace	0392 00-1
Tow Start Control Assembly	
Replace	0391 00-1
Towing hook and eye	
Replacement	0443 00-1
Towing pintle	
Repair	0434 00-1
Replacement	0433 00-1

INDEX, cont'd

<u>Subject</u>	<u>WP Sequence No.-Page No.</u>
Track	
Replacement	0422 00-1
Track shoe assembly	
Replacement	0423 00-1
Track shoe pad	
Replacement	0424 00-1
Track shroud and covers	
Replacement	0438 00-1
Track tension adjuster and mount	
Replacement	0419 00-1
Trailer harness	
Replacement	0375 00-1
Trailer lights don't work	0036 00-1
Trans filter clogged indicator malfunctions	0059 00-1
Trans oil hi temp indicator malfunctions	0057 00-1
Transducer	
Air box pressure	
Replacement	0327 00-1
Fuel return pressure	
Replacement	0325 00-1
Fuel supply pressure	
Replacement	0324 00-1
Turbo outlet pressure	
Replacement	0326 00-1
Transient Suppressor	
M901A3	
Replace	0889 00-1
Transmission	
Mounts	
Replace	0385 00-1
Transmission brake adjustment	
Check	0406 00-1
Transmission brakes	
Adjust	0394 00-1
Transmission controller wiring harness	
Replacement	0361 00-1
Transmission does not downshift in 1-4 position	0066 00-1
Transmission does not hold 1st position	0067 00-1
Transmission does not hold 2nd position	0068 00-1
Transmission does not hold 3rd position	0069 00-1
Transmission does not pivot steer	0071 00-1
Transmission does not reverse	0070 00-1
Transmission high temp indicator comes on	0072 00-1
Transmission low lube indicator comes on	0073 00-1

INDEX, cont'd

<u>Subject</u>	<u>WP Sequence No.-Page No.</u>
Transmission oil	
Cooler hoses, fittings, and mounting	
Replace	0399 00-1
Filter Element	
Replace	0398 00-1
Level dipstick, filler tube, and adapter	
(X200-4 only)	
Replace	0395 00-1
(X200-4A only)	
Replace	0396 00-1
Sampling valve and pressure switch	
Replace	0400 00-1
Transmission oil and oil filter element	
Replace	0398 00-1
Transmission oil drain tubes and bracket	
Replacement	0384 00-1
Transmission oil high temperature switch	
Replacement	0322 00-1
Transmission oil low pressure indicator malfunctions	0056 00-1
Transmission oil sampling valve and pressure switch	
Replace	0400 00-1
Transmission oil supply and return hoses	
Replacement	0251 00-1
Transmission range controller lamp	
Replace	0388 00-1
Transmission range controller switch	
Replace	0389 00-1
Transmission range controller/bracket	
Used with cable-activated steering lock	
Replace	0387 00-1
Used with solenoid-activated steering lock	
Replace	0386 00-1
Transmission steering	
Adjust	0393 00-1
Transmission wiring harness	
Replacement	0360 00-1
Transmission won't upshift or shifts erratically in 1-4 position	0065 00-1
Transmitter	
Coolant temperature	
Replacement	0321 00-1
Fuel quantity	
All except M577A3 and M1068A3, replace	0190 00-1
M577A3A and M1068A3, replace	0191 00-1
Traversing unit mount and spacer	

INDEX, cont'd

<u>Subject</u>	<u>WP Sequence No.-Page No.</u>
(M901A3)	
Replace	0591 00-1
Trim vane	
All except M58	
Repair	0459 00-1
M58 only	
Repair	0460 00-1
Trim Vane	
Replacement	0458 00-1
Trim vane control linkage	
Repair	0461 00-1
Trim vane release	
Repair	0463 00-1
Replacement	0462 00-1
Tripod stowage brackets (M901A3)	
Replace	0592 00-1
Tube	
Fire Extinguisher Cylinder Discharge	
Replace	0899 00-1, 0905 00-1
Fire Extinguisher Turbine Cylinder Discharge	
Replace	0900 00-1
From ramp control valve to bulkhead	
Replace	0664 00-1
Fuel return	
M1064A3	
Replace	0197 00-1
M113A3, M901A3, M981A3, M1059A3, and M58	
Replace	0195 00-1
M577A3 and M1068A3	
Replace	0196 00-1
Fuel Vent (M577A3 and M1068A3)	
Replace	0198 00-1
Personnel heater	
M577A3, M901A3, and M1068A3 only	
Replace	0700 00-1
Turbine access door	
M58 only	
Replacement	0485 00-1
Turbine access door gasket	
M58 only	
Replacement	0486 00-1
Turbine access dor hinges	
M58 only	
Replacement	0487 00-1

INDEX, cont'd

<u>Subject</u>	<u>WP Sequence No.-Page No.</u>
Turbo outlet pressure transducer	
Replacement	0326 00-1
Turnbuckle parts generator	
Replacement	0254 00-1
U	
Unsafe ramp	
Lower	0513 00-1
Raise	0513 00-1
Upper and lower service brake pedal	
Replacement	0409 00-1
Utility light	
M981A3 only	
Replacement	0319 00-1
Utility outlet lead assembly	
M577A3 and M1068A3 only	
Replacement	0377 00-1
Utility outlet receptacle	
All except M981A3	
Replacement	0265 00-1
Utility outlet receptacles	
Rear	
M577A3 and M1068A3 only	
Replacement	0378 00-1
V	
Valve	
Front Bilge	
Replace	0633 00-1
Fuel shut-off assembly (M113A3, M981A3, M1059A3, and M58)	
Personnel heater	
Replace	0684 00-1
Fuel Shutoff	
Coolant Heater, Replace	0720 00-1
Variable speed drive	
Fan	
Replacement	0249 00-1
Generator	
Replacement	0249 00-1
Vehicle Access Box	
M901A3 and M981A3	
Replace	0593 00-1
Vehicle batteries discharge with external AC power applied	
M1068A3 only	0103 00-1

INDEX, cont'd

<u>Subject</u>	<u>WP Sequence No.-Page No.</u>
Vehicle will not accept external AC power	
M1068A3 only	0104 00-1
Vehicle will not accept inverter AC power	
M1068A3 only	0105 00-1
Vent fitting	
Battery box	
M981A3 and M58 only	
Replacement	0355 00-1
Ventilating Fan	
Drive Belt	
Adjustment	0242 00-1
Ventilating fan	
Drive pulley	
Replace	0244 00-1
Ventilating Fan	
M901A3 and M981A3	
Replace	0866 00-1
Ventilating Fan Assembly	
Replace	0247 00-1
Ventilating Fan Drive Belt	
Replace	0243 00-1
Ventilation fan	
M577A3 and M1068A3 only	
Replacement	0383 00-1
VFM	
Gas filter, M25/M25A1	
(M981A3)	
Replace	0906 00-1
Power Distribution Panel Assembly	
M981A3	
Replace/Repair	0913 00-1
VFM (M981A3)	
Hose assembly	
Replace	0907 00-1
M25/M25A1 heater	
Replace	0911 00-1
M25/M25A1 heater brackets	
Replace	0912 00-1
Orifice connector assembly	
M25/M25A1	
Replace	0908 00-1
VFM coupling	
(M981A3)	
Replace	0910 00-1

INDEX, cont'd

<u>Subject</u>	<u>WP Sequence No.-Page No.</u>
Vision block locks and seals	
Commander's cupola	
M1064A3 only	
Replacement	0491 00-1
M113A3 and M1059A3, M58 only	
Replacement	0490 00-1
Vision Port	
Ramp	
M901A3, M981A3, and M58, Replace/Repair	0586 00-1
Voltage regulator	
Adjustment	0256 00-1
W	
Wait indicator flashes during start attempts (preglow or afterglow)	0018 00-1
Wait indicator light doesn't light	0019 00-1
Warning light panel	
Instrument	
Replacement	0288 00-1
Replacement	0292 00-1
Warning light panel assembly	
Replacement	0291 00-1
Warning lights	
Instrument panel	
Replacement	0287 00-1
Warning panel lights	
Replacement	0294 00-1
Warning panel wiring harness	
Replacement	0374 00-1
Water barrier	
M113A3, M577A3, and M1068A3 only	
Replacement	0456 00-1
Water barrier loop and strap	
M113A3, M577A3, and M1068A3 only	
Replacement	0457 00-1
Water/Ration Heater	
Mount Bracket	
(M113A3 Only)	
Replace	0811 00-1
Power Cable	
(M113A3 Only)	
Replace	0810 00-1
Webbing straps	
Replace	0569 00-1
Wheel	

INDEX, cont'd

<u>Subject</u>	<u>WP Sequence No.-Page No.</u>
Idler	
Replacement	0425 00-1
Road	
Replacement	0426 00-1
Windshield	
Driver's	
Replace	0739 00-1
Stowage bag, straps, and decal	
Replace	0740 00-1
Stowage Bracket	
(M1064A3 Only)	
Replace	0614 00-1
Wire harness	
Radiac	
M113A3, M577A3, and M1068A3 only	
Replacement	0376 00-1
Wire rope and pulleys	
All except M1064A3	
Replace	0657 00-1
Wire Rope and Pulleys	
M1064A3	
Replace	0658 00-1
Wiring Harness	
Coolant Heater	
Replace	0735 00-1
Coolant Pump to Heater	
Replace	0733 00-1
Wiring harness	
Engine	
Replacement	0359 00-1
Instrument panel battery-generator gauge	
All except M981A3	
Replacement	0289 00-1
M13 NBC Heater	
M1068A3 only	
Replace	0809 00-1
Wiring Harness	
M13 NBC Heater	
(M577A3)	
Replace	0808 00-1
M14 NBC Heater	
(M113A3 Ambulance)	
Replace	0807 00-1
M3 NBC Heater (M1059A3)	

INDEX, cont'd

<u>Subject</u>	<u>WP Sequence No.-Page No.</u>
Replace	0806 00-1
Wiring harness	
Rear main	
M1064A3 only	
Replacement	0364 00-1
M1068A3 only	
Replacement	0365 00-1
M113A3, M901A3, M981A3, M1059A3, and M58	
Replacement	0362 00-1
M577A3 only	
Replacement	0363 00-1
Repair	0382 00-1
Right headlight	
Replacement	0373 00-1
Smoke grenade launcher	
M113A3, M901A3, M981A3, M1059A3, and M58 only	
Replacement	0366 00-1
Wiring Harness	
STE/ICE Crew, M1064A3	
Replace	0881 00-1
STE/ICE Crew, M113A3, M901A3, and M1059A3	
Replace	0878 00-1
STE/ICE Crew, M577A3 and M1068A3	
Replace	0879 00-1
STE/ICE Crew, M981A3	
Replace	0880 00-1
STE/ICE Engine	
Replace	0882 00-1
Wiring harness	
Steering lock switch	
Replacement	0367 00-1
Transmission	
Replacement	0360 00-1
Transmission controller	
Replacement	0361 00-1
Warning panel	
Replacement	0374 00-1
Wiring harness (ckt 48)	
Battery-to-radio	
M981A3 only	
Replacement	0371 00-1
Wiring harness (left side)	
Battery-to-radio	
M113A3, M901A3, and M1059A3 only	

INDEX, cont'd

<u>Subject</u>	<u>WP Sequence No.-Page No.</u>
Replacement	0369 00-1
Wiring harness (right side)	
Battery-to-radio	
M113A3 only	
Replacement	0370 00-1
Wiring Harnesses, Cables, Leads	
Chemical Alarm Interface, M113A3	
Replace	0923 00-1
Leads	
Circuit 44A, Power Control Enclosure M1068A3)	
Replace	0829 00-1
Wiring harnesses, cables, leads	
W124 (M1068A3)	
Replace	0855 00-1
Wiring Harnesses, cables, leads	
W251 (M1068A3)	
Replace	0852 00-1
W42, (M1068A3)	
Replace	0852 00-1
W43, (M1068A3)	
Replace	0852 00-1
Wiring Harnesses, cables, leads:	
W103/W104	
LAN A or B (M1068A3)	
Replace	0854 00-1
Wiring harnesses, cables, leads:	
W126, (M1068A3)	
Replace	0856 00-1
Wiring Harnesses, cables, leads:	
W45, (M1068A3)	
Replace	0853 00-1

By Order of the Secretary of the Army:

Official:




JOEL B. HUDSON

*Administrative Assistant to the
Secretary of the Army*

078493

ERIC K. SHINSEKI
*General, United States Army
Chief of Staff*

RECOMMENDED CHANGES TO EQUIPMENT TECHNICAL PUBLICATIONS



SOMETHING WRONG WITH THIS PUBLICATION?

THEN . . . JOT DOWN THE DOPE ABOUT IT ON THIS FORM. CAREFULLY TEAR IT OUT, FOLD IT AND DROP IT IN THE MAIL.

FROM (PRINT YOUR UNIT'S COMPLETE ADDRESS)

DATE SENT

PUBLICATION NUMBER <p style="text-align: center; font-weight: bold;">TM 9-2350-277-20-5</p>	PUBLICATION DATE <p style="text-align: center; font-weight: bold;">15 SEP 00</p>	PUBLICATION TITLE <p style="text-align: center; font-weight: bold;">UNIT MAINTENANCE MANUAL FOR M113A3 FOV</p>
--	---	---

BE EXACT PIN-POINT WHERE IT IS				IN THIS SPACE TELL WHAT IS WRONG AND WHAT SHOULD BE DONE ABOUT IT:
PAGE NO.	PARA-GRAPH	FIGURE NO.	TABLE NO.	

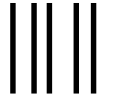
PRINTED NAME, GRADE OR TITLE, AND TELEPHONE NUMBER

SIGN HERE

FILL IN YOUR
UNIT'S ADDRESS
↓

FOLD BACK

DEPARTMENT OF THE ARMY



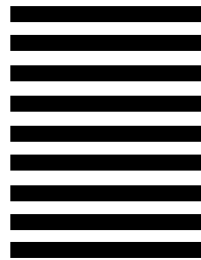
OFFICIAL BUSINESS
PENALTY FOR PRIVATE USE. \$300

NO POSTAGE
NECESSARY
IF MAILED
IN THE
UNITED STATES

BUSINESS REPLY MAIL
FIRST CLASS PERMIT NO. 82 ROCK ISLAND, IL


POSTAGE WILL BE PAID BY ROCK ISLAND ARSENAL

COMMANDER
U.S. Army Tank-automotive and Armaments Command
ATTN: AMSTA-LC-CIP-WT (Tech Pubs Control Point)
Rock Island, IL 61299-7630



TEAR ALONG PERFORATED LINE

RECOMMENDED CHANGES TO EQUIPMENT TECHNICAL PUBLICATIONS



SOMETHING WRONG WITH THIS PUBLICATION?

THEN . . . JOT DOWN THE DOPE ABOUT IT ON THIS FORM. CAREFULLY TEAR IT OUT, FOLD IT AND DROP IT IN THE MAIL.

FROM (PRINT YOUR UNIT'S COMPLETE ADDRESS)

DATE SENT

PUBLICATION NUMBER

TM 9-2350-277-20-5

PUBLICATION DATE

15 SEP 00

PUBLICATION TITLE

UNIT MAINTENANCE MANUAL FOR M113A3 FOV

BE EXACT PIN-POINT WHERE IT IS				IN THIS SPACE TELL WHAT IS WRONG AND WHAT SHOULD BE DONE ABOUT IT:
PAGE NO.	PARA-GRAPH	FIGURE NO.	TABLE NO.	

PRINTED NAME, GRADE OR TITLE, AND TELEPHONE NUMBER

SIGN HERE

FILL IN YOUR
UNIT'S ADDRESS
↓

FOLD BACK

DEPARTMENT OF THE ARMY

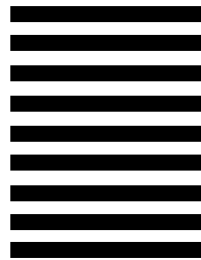


OFFICIAL BUSINESS
PENALTY FOR PRIVATE USE. \$300

NO POSTAGE
NECESSARY
IF MAILED
IN THE
UNITED STATES

TEAR ALONG PERFORATED LINE


BUSINESS REPLY MAIL
FIRST CLASS PERMIT NO. 82 ROCK ISLAND, IL



POSTAGE WILL BE PAID BY ROCK ISLAND ARSENAL

COMMANDER
U.S. Army Tank-automotive and Armaments Command
ATTN: AMSTA-LC-CIP-WT (Tech Pubs Control Point)
Rock Island, IL 61299-7630

RECOMMENDED CHANGES TO EQUIPMENT TECHNICAL PUBLICATIONS



SOMETHING WRONG WITH THIS PUBLICATION?

THEN . . . JOT DOWN THE DOPE ABOUT IT ON THIS FORM. CAREFULLY TEAR IT OUT, FOLD IT AND DROP IT IN THE MAIL.

FROM (PRINT YOUR UNIT'S COMPLETE ADDRESS)

DATE SENT

PUBLICATION NUMBER

TM 9-2350-277-20-5

PUBLICATION DATE

15 SEP 00

PUBLICATION TITLE

UNIT MAINTENANCE MANUAL FOR M113A3 FOV

BE EXACT PIN-POINT WHERE IT IS				IN THIS SPACE TELL WHAT IS WRONG AND WHAT SHOULD BE DONE ABOUT IT:
PAGE NO.	PARA-GRAPH	FIGURE NO.	TABLE NO.	

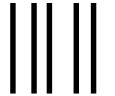
PRINTED NAME, GRADE OR TITLE, AND TELEPHONE NUMBER

SIGN HERE

FILL IN YOUR
UNIT'S ADDRESS
↓

FOLD BACK

DEPARTMENT OF THE ARMY

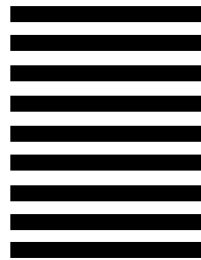


OFFICIAL BUSINESS
PENALTY FOR PRIVATE USE. \$300

NO POSTAGE
NECESSARY
IF MAILED
IN THE
UNITED STATES

TEAR ALONG PERFORATED LINE

BUSINESS REPLY MAIL
FIRST CLASS PERMIT NO. 82 ROCK ISLAND, IL



POSTAGE WILL BE PAID BY ROCK ISLAND ARSENAL

COMMANDER
U.S. Army Tank-automotive and Armaments Command
ATTN: AMSTA-LC-CIP-WT (Tech Pubs Control Point)
Rock Island, IL 61299-7630

METRIC CONVERSION CHART

APPROXIMATE CONVERSION FACTORS

TO CHANGE	TO	MULTIPLY BY
Inches	Centimeters	2.540
Feet	Meters	0.305
Yards	Meters	0.914
Miles	Kilometers	1.609
Square Inches	Square Centimeters	6.451
Square Feet	Square Meters	0.093
Square Yards	Square Meters	0.836
Square Miles	Square Kilometers	2.590
Acres	Square Hectometers	0.405
Cubic Feet	Cubic Meters	0.028
Cubic Yards	Cubic Meters	0.765
Fluid Ounces	Milliliters	29.573
Pints	Liters	0.473
Quarts	Liters	0.946
Gallons	Liters	3.785
Ounces	Grams	28.349
Pounds	Kilograms	0.454
Short Tons	Metric Tons	0.907
Pound-Feet	Newton-Meters	1.356
Pounds per Square Inch	Kilopascals	6.895
Miles per Gallon	Kilometers per Liter	0.425
Miles per Hour	Kilometers per Hour	1.609

TO CHANGE	TO	MULTIPLY BY
Centimeters	Inches	0.394
Meters	Feet	3.280
Meters	Yards	1.094
Kilometers	Miles	0.621
Square Centimeters	Square Inches	0.155
Square Meters	Square Feet	10.764
Square Meters	Square Yards	1.196
Square Kilometers	Square Miles	0.386
Square Hectometers	Acres	2.471
Cubic Centimeters	Cubic Inches	0.060
Cubic Meters	Cubic Feet	35.315
Cubic Meters	Cubic Yards	1.308
Milliliters	Fluid Ounces	0.034
Liters	Pints	2.113
Liters	Quarts	1.057
Liters	Gallons	0.264
Grams	Ounces	0.035
Kilograms	Pounds	2.205
Metric Tons	Short Tons	1.102
Newton-Meters	Pound-Feet	0.738
Kilopascals	Pounds per Square Inch	0.145
Kilometers per Liter	Miles per Gallon	2.354
Kilometers per Hour	Miles per Hour	0.621

TEMPERATURE CONVERSIONS

$$5/9 (^{\circ}\text{F} - 32) = ^{\circ}\text{C}$$

212° Fahrenheit is equivalent to 100° Celsius

90° Fahrenheit is equivalent to 32.2° Celsius

32° Fahrenheit is equivalent to 0° Celsius

$$9/5 \text{ C}^{\circ} + 32 = \text{F}^{\circ}$$

PIN: 078493-000